



US00D425437S

United States Patent [19] Defelice

[11] Patent Number: Des. 425,437

[45] Date of Patent: ** May 23, 2000

[54] SAW GUIDE

5,182,975 2/1993 Warner .

[76] Inventor: William D. Defelice, 1493 Theresa Dr.,
Charleston, S.C. 29412

Primary Examiner—Antoine Duval Davis
Attorney, Agent, or Firm—Dority & Manning, P.A

[**] Term: 14 Years

[57] CLAIM

[21] Appl. No.: 29/059,501

The ornamental design of saw guide, as shown and described.

[22] Filed: Sep. 12, 1996

DESCRIPTION

[51] LOC (7) Cl. 10-04

[52] U.S. Cl. D10/65

[58] Field of Search D10/65; 33/424,
33/474-476, 489, 492; 83/745

FIG. 1 is a generally top and right side perspective view of saw guide embodying the design of the present invention, and showing in broken lines exemplary illustration of the environment within which such design is intended to be used, by representing an exemplary object to be cut;

FIG. 2 is a generally top elevational view of the design of FIG. 1;

FIG. 3 is a generally front elevational view of the design of FIG. 1;

FIG. 4 is a generally back elevational view of the design of FIG. 1;

FIG. 5 is a generally bottom elevational view of the design of FIG. 1;

FIG. 6 is a generally right side elevational view of the design of FIG. 1; and,

FIG. 7 is a generally left side elevational view of the design of FIG. 1.

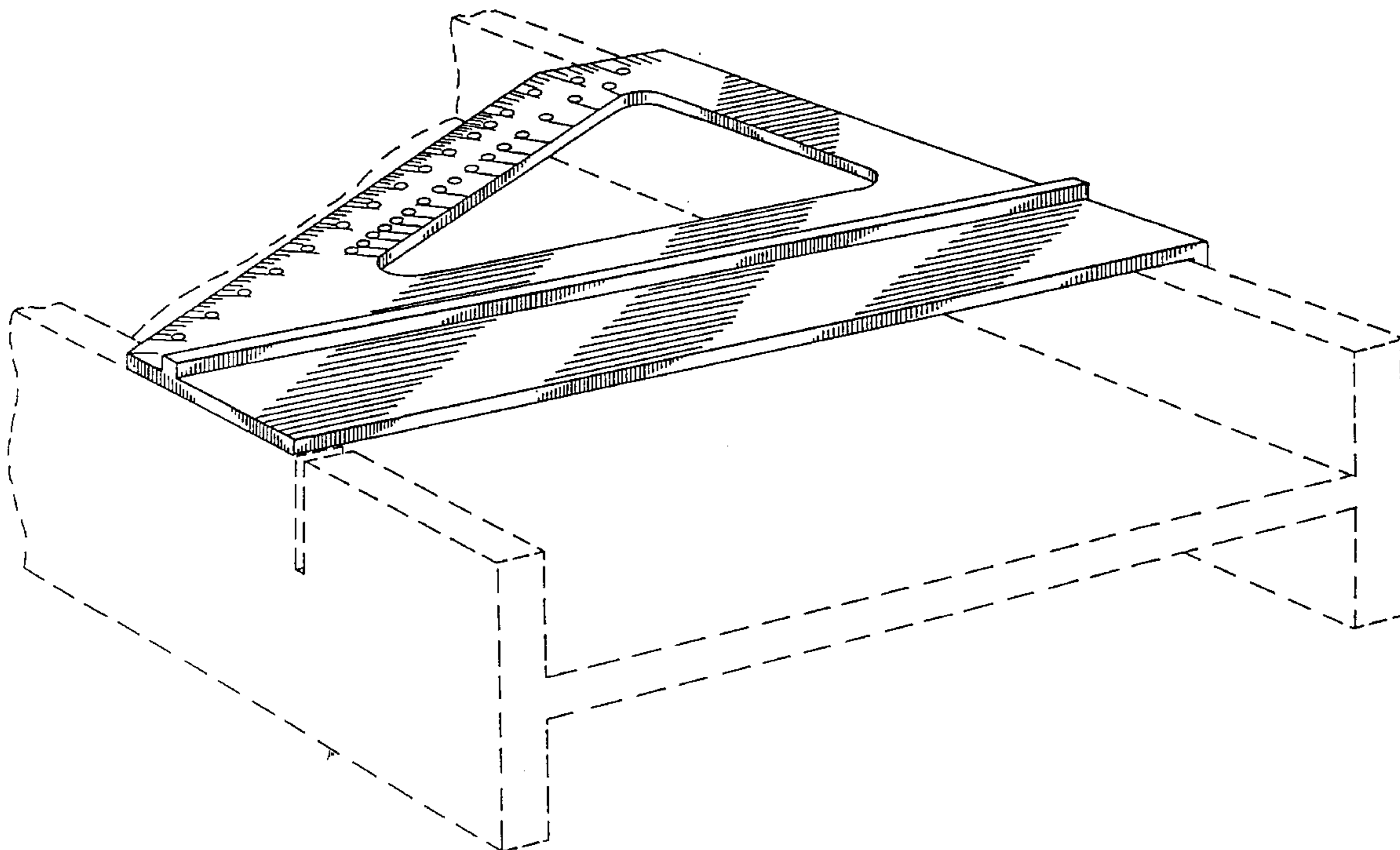
FIGS. 2 and 7 also represent an exemplary position of a movable plug usable with the design as part thereof, for placement in a selected one of the openings defined through the top of the design, as shown.

[56] References Cited

U.S. PATENT DOCUMENTS

D. 289,981	5/1987	Porter .	
D. 313,762	1/1991	Chan et al. .	
D. 314,521	2/1991	Tyler	D10/65
D. 364,574	11/1995	Utz et al.	D10/65 X
D. 369,981	5/1996	Hayes et al.	D10/65
3,830,130	8/1974	Moore .	
4,176,572	12/1979	Pennington .	
4,306,479	12/1981	Eberhardt .	
4,356,748	11/1982	Tilton .	
4,522,098	6/1985	Bliss .	
4,852,257	8/1989	Moore .	
4,867,425	9/1989	Miraglia, Jr. .	
4,905,745	3/1990	Jaeger .	
5,084,977	2/1992	Perkins .	
5,090,129	2/1992	Cunningham .	
5,155,918	10/1992	Hummer, Jr. .	

1 Claim, 4 Drawing Sheets



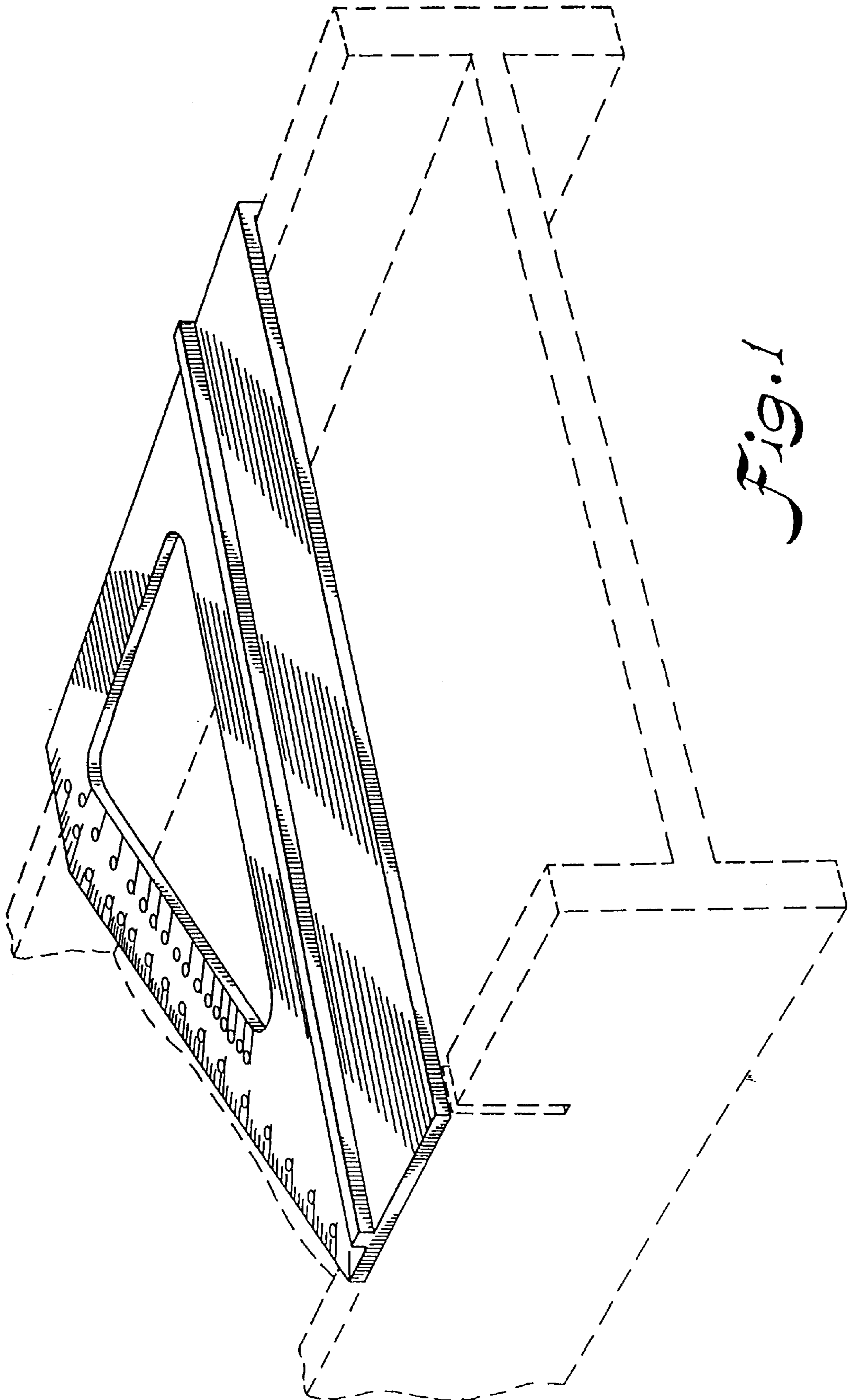


Fig. 1

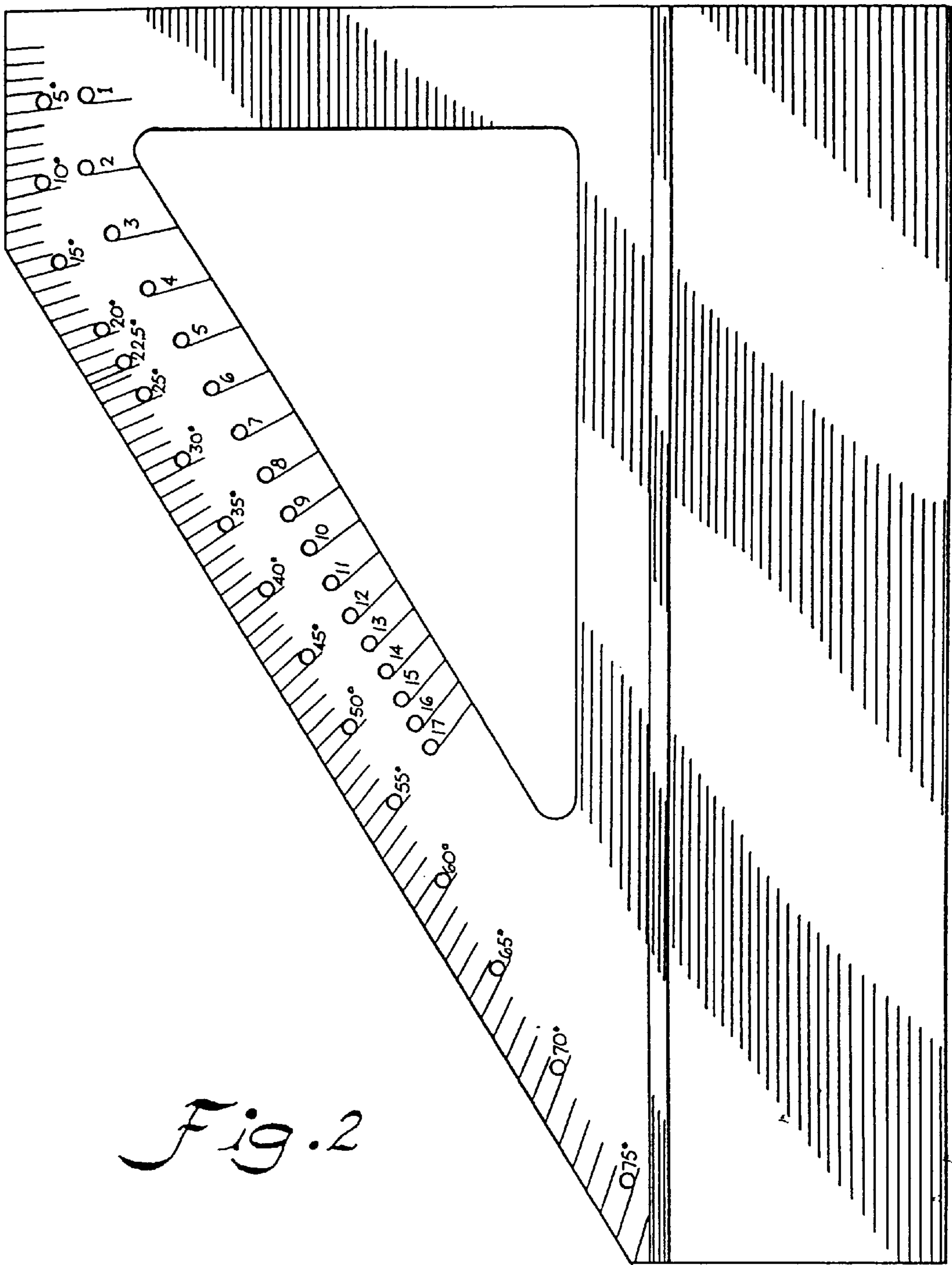


Fig. 2

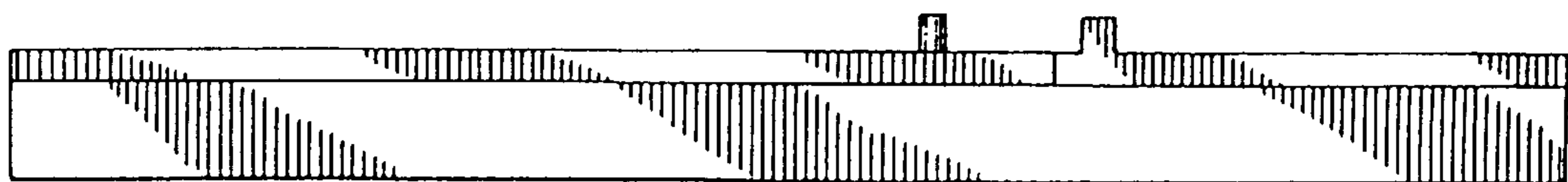


Fig. 3

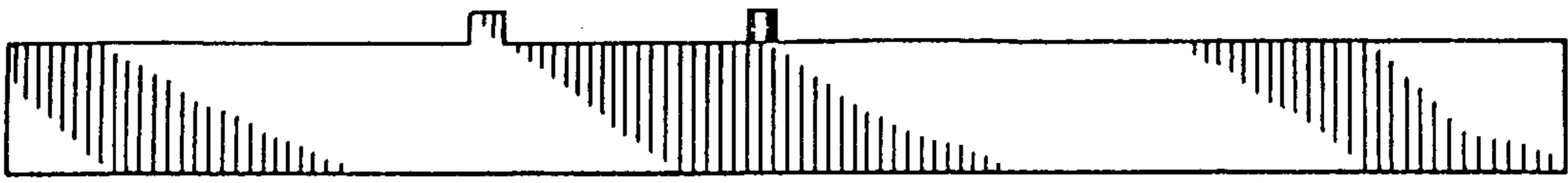


Fig. 4

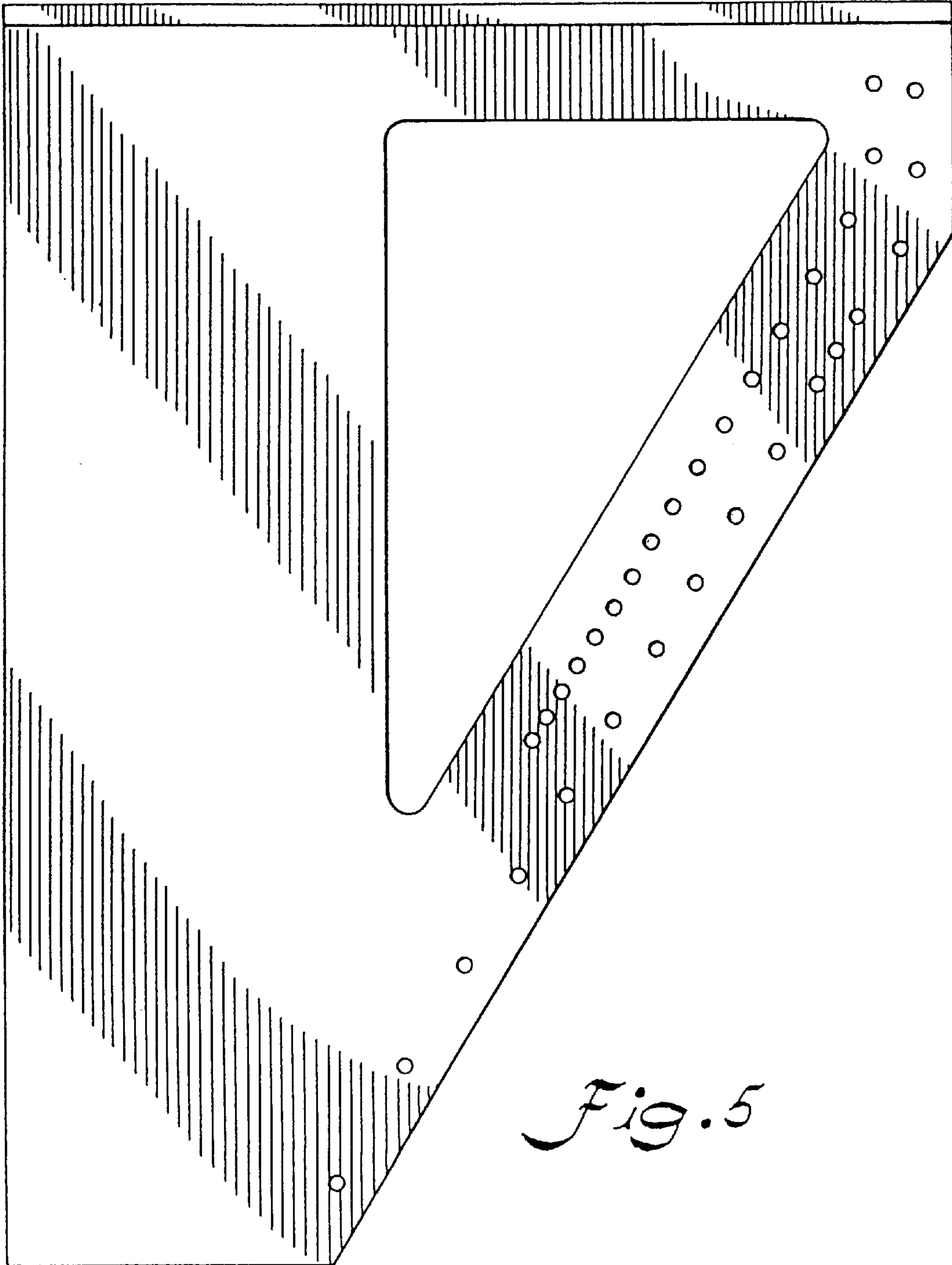


Fig. 5



Fig. 6



Fig. 7