



US00D425415S

United States Patent [19]

[11] **Patent Number: Des. 425,415**

Kumakura et al.

[45] **Date of Patent: ** May 23, 2000**

[54] **CONTAINER FOR DRY BATTERY**
[75] Inventors: **Katsuhiko Kumakura**, Kyoto; **Tadashi Ono**, Osaka, both of Japan

4,696,402 9/1987 Harmon et al. 206/703
5,029,705 7/1991 Schidt et al. 206/705
5,871,100 2/1999 Ward 206/705

[73] Assignee: **Matsushita Electric Industrial Co., Ltd.**, Japan

FOREIGN PATENT DOCUMENTS

60-162365 10/1985 Japan .

[**] Term: **14 Years**

OTHER PUBLICATIONS

Techform Inc. Shoco, Nov. 1982.

[21] Appl. No.: **29/106,397**

Primary Examiner—Prabhakar Deshmukh

[22] Filed: **Jun. 15, 1999**

Attorney, Agent, or Firm—Saidman DesignLaw Group

[30] Foreign Application Priority Data

[57] CLAIM

Dec. 25, 1998 [JP] Japan 10-37870

The ornamental design for a container for dry battery, as shown and described.

[51] **LOC (7) Cl.** **09-07**

DESCRIPTION

[52] **U.S. Cl.** **D9/415; D9/418**

[58] **Field of Search** D9/415, 418, 414, D9/431, 337, 338, 416, 417; 206/461-471, 703, 704, 705, 806, 758, 761, 762, 763, 764, 765; D7/401.1, 590, 589; 229/122, 122.1; 221/305

FIG. 1 is a perspective view of the top, front and right side of a container for dry battery showing our new design; FIG. 2 is a front view thereof; FIG. 3 is a right side view thereof; FIG. 4 is a top plan view thereof; FIG. 5 is a bottom view thereof; FIG. 6 is a rear view thereof; FIG. 7 is a left side view thereof; and, FIG. 8 is a perspective reference view of the usage thereof. The broken line showing of batteries is for illustrative purpose only and forms no part of the claimed design.

[56] References Cited

U.S. PATENT DOCUMENTS

D. 249,639 9/1978 Hogg et al. D9/415
D. 321,134 10/1991 Toinet D9/415
D. 333,781 3/1993 Kobel D9/416 X
2,030,546 2/1936 Sheffer 206/761
2,828,006 3/1958 Simpson 206/761

1 Claim, 5 Drawing Sheets

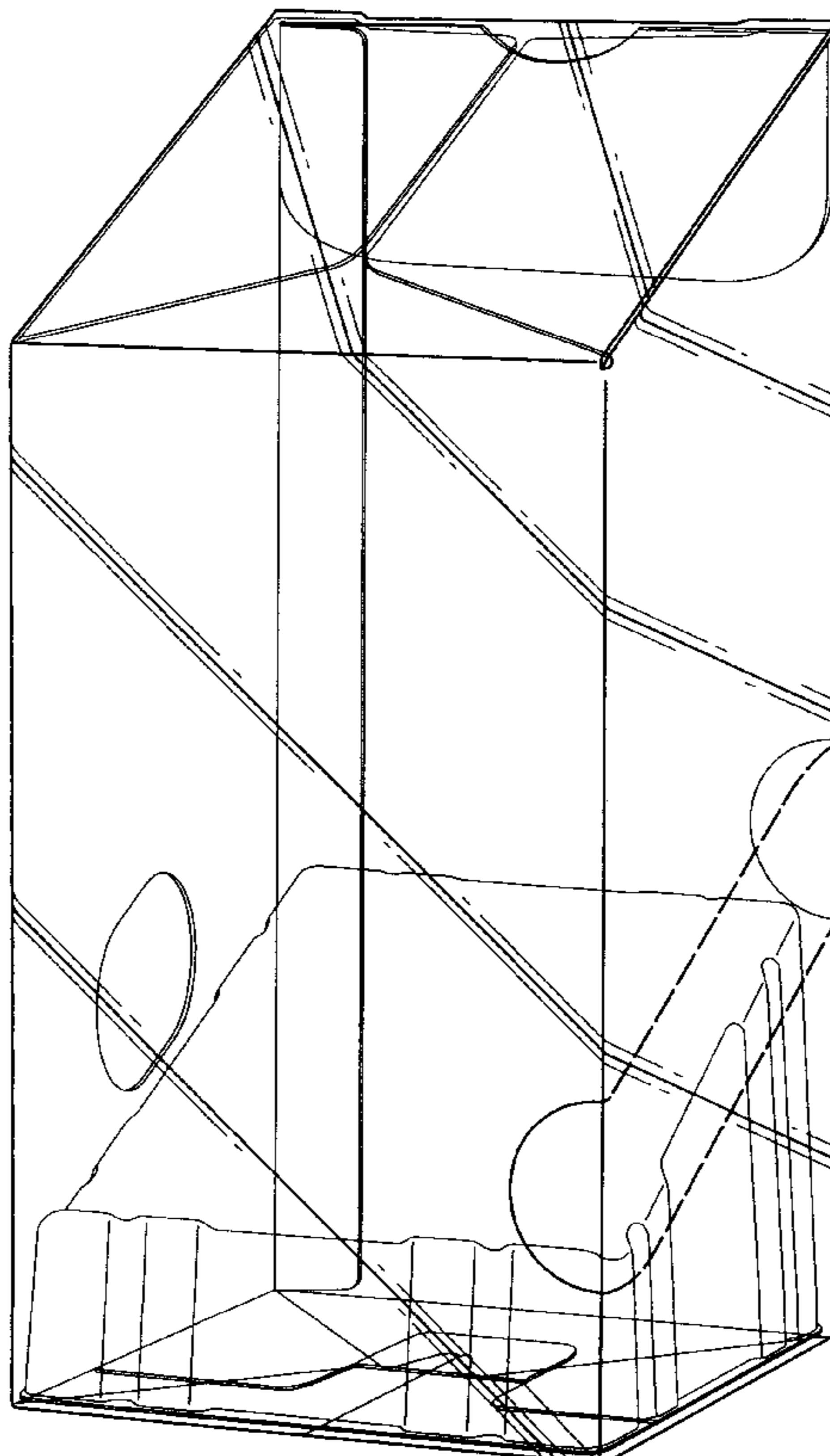


FIG. 1

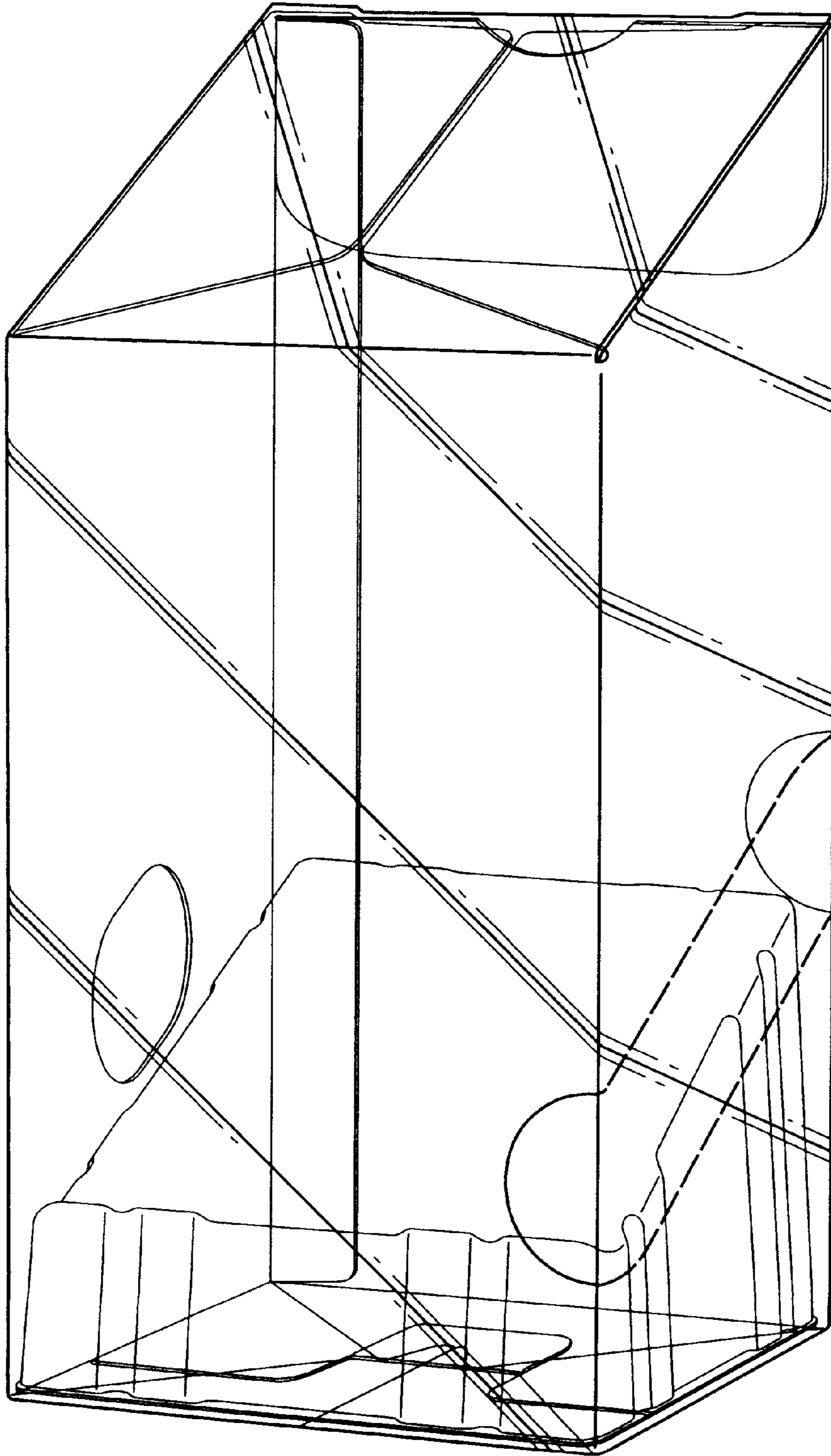


FIG. 2

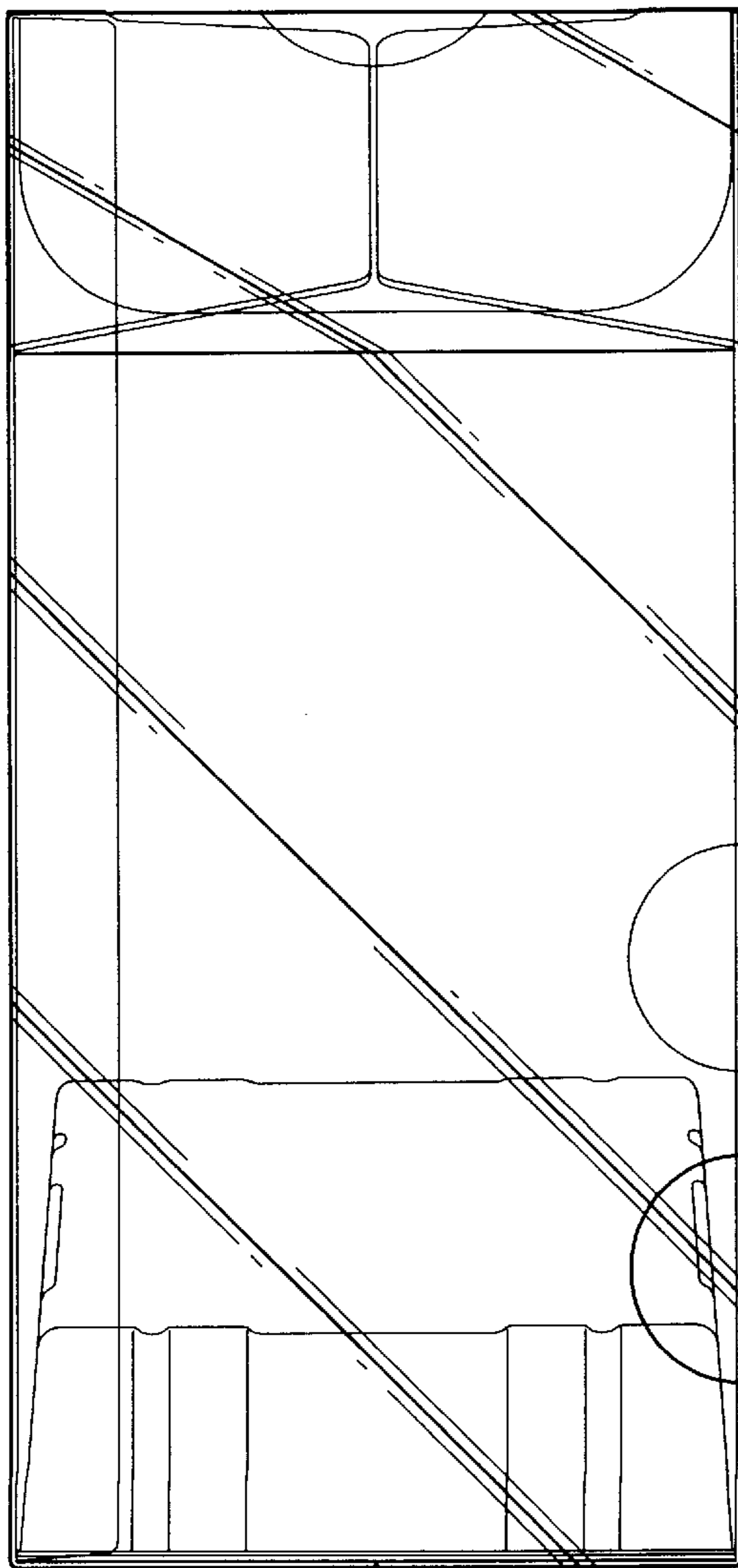


FIG. 3

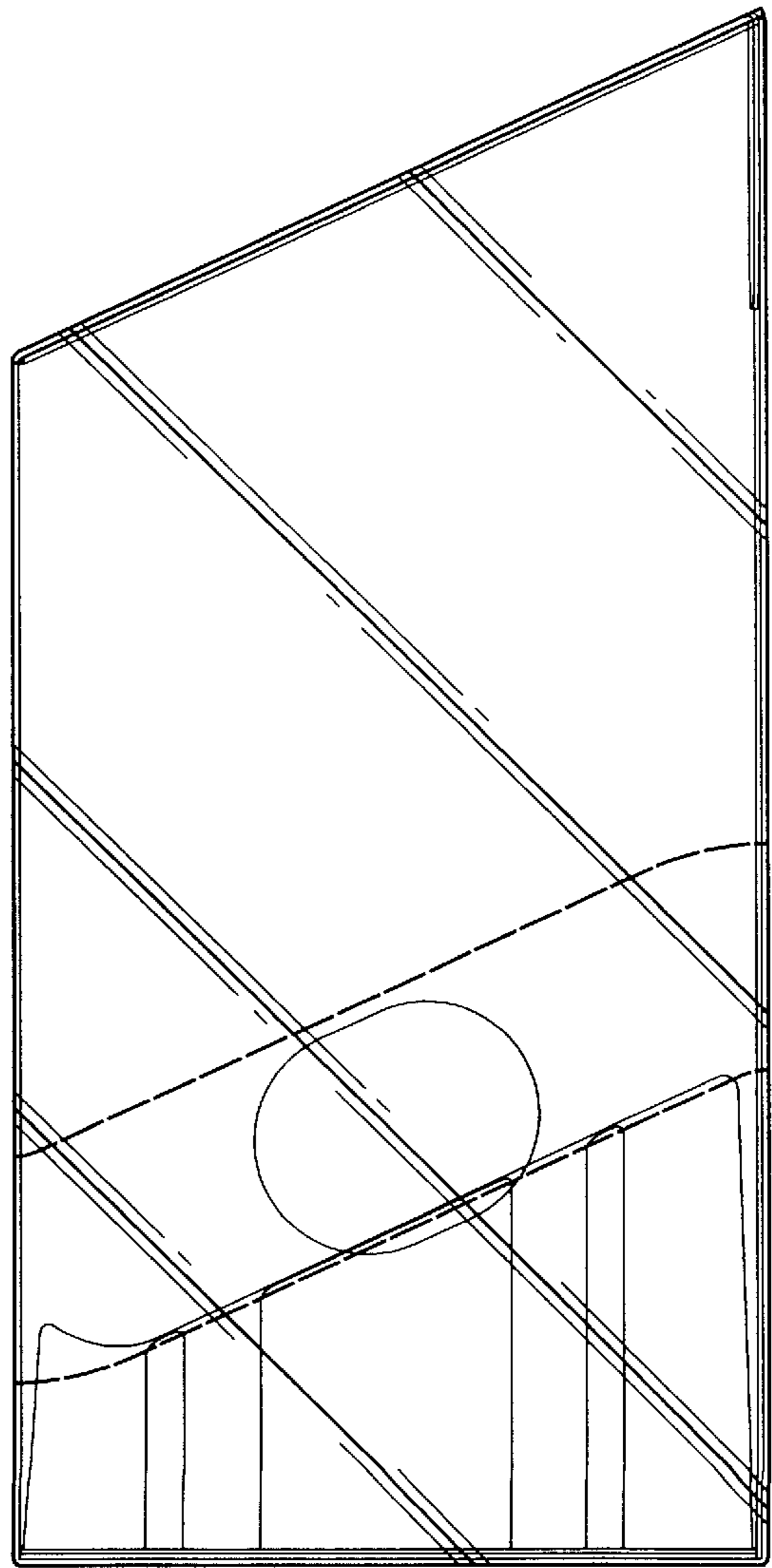


FIG. 4

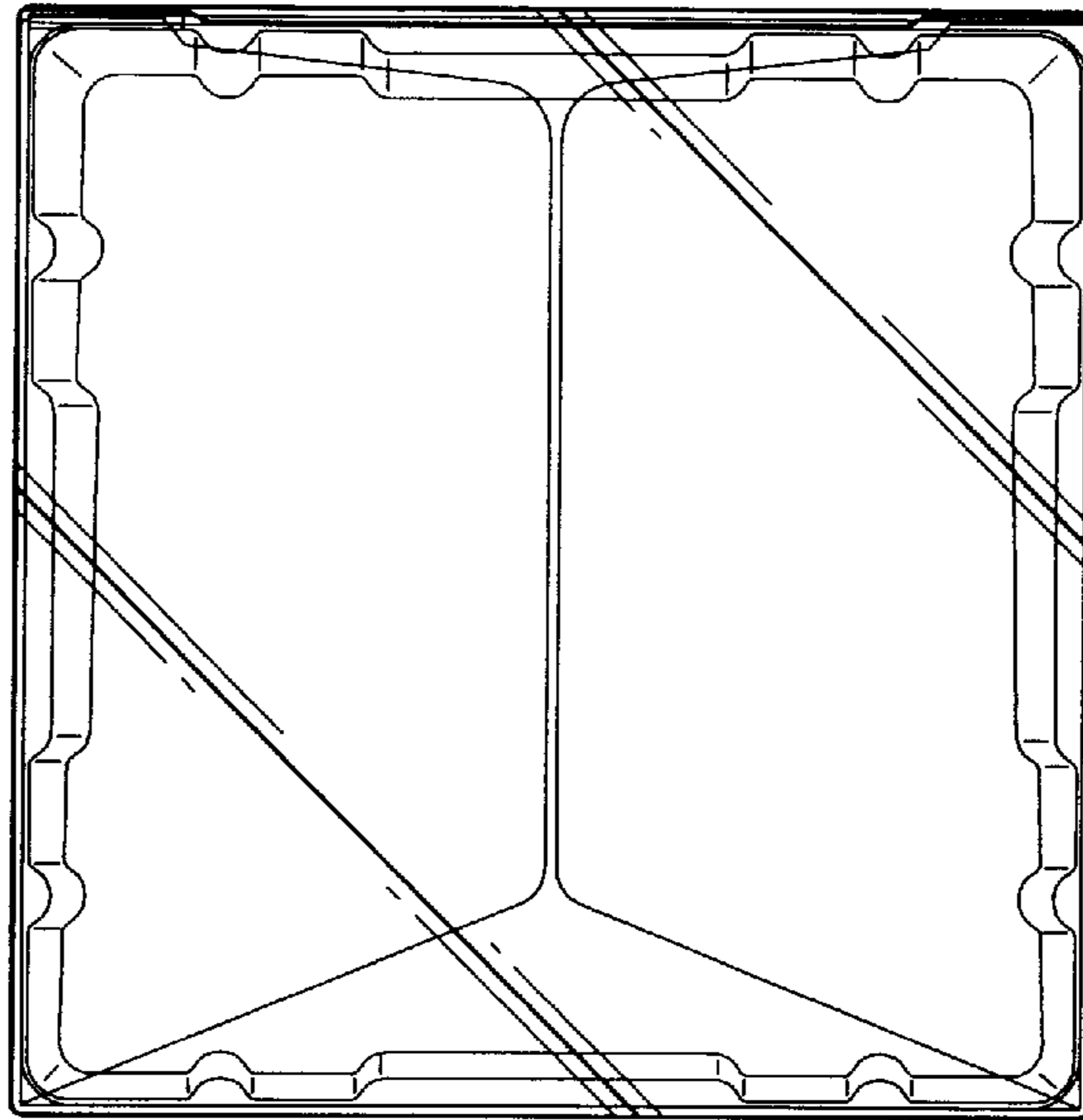


FIG. 5

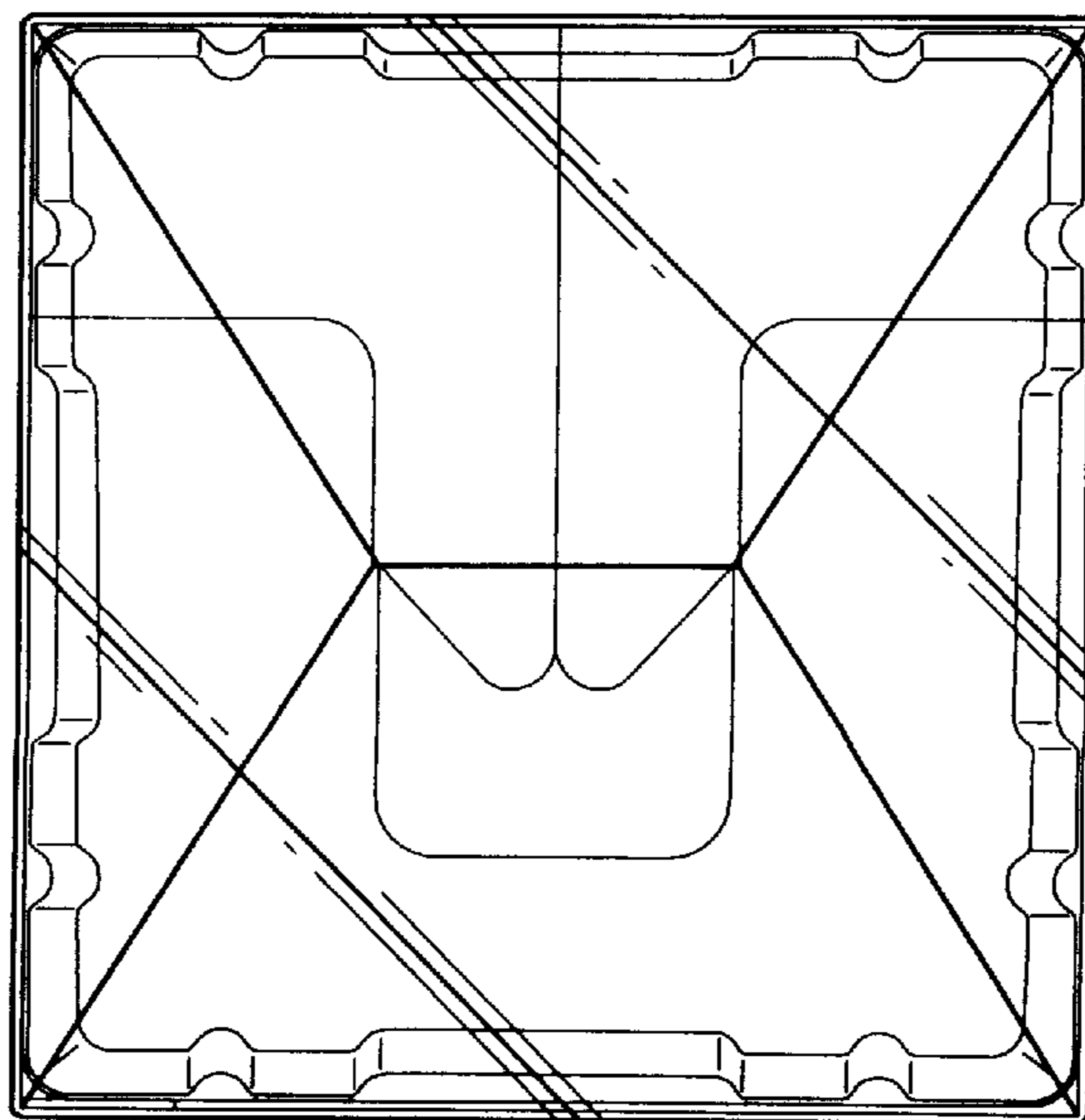


FIG. 6

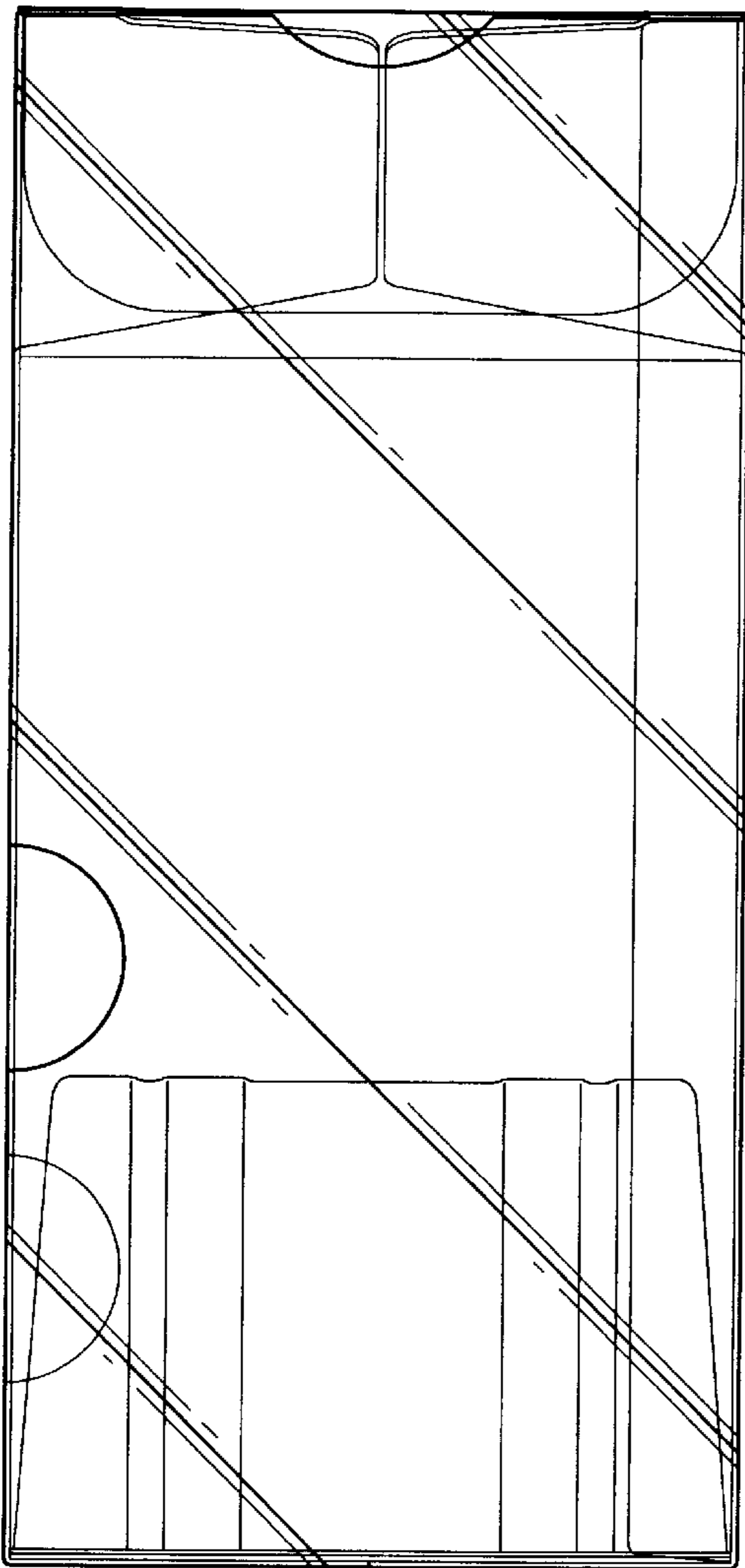


FIG. 7

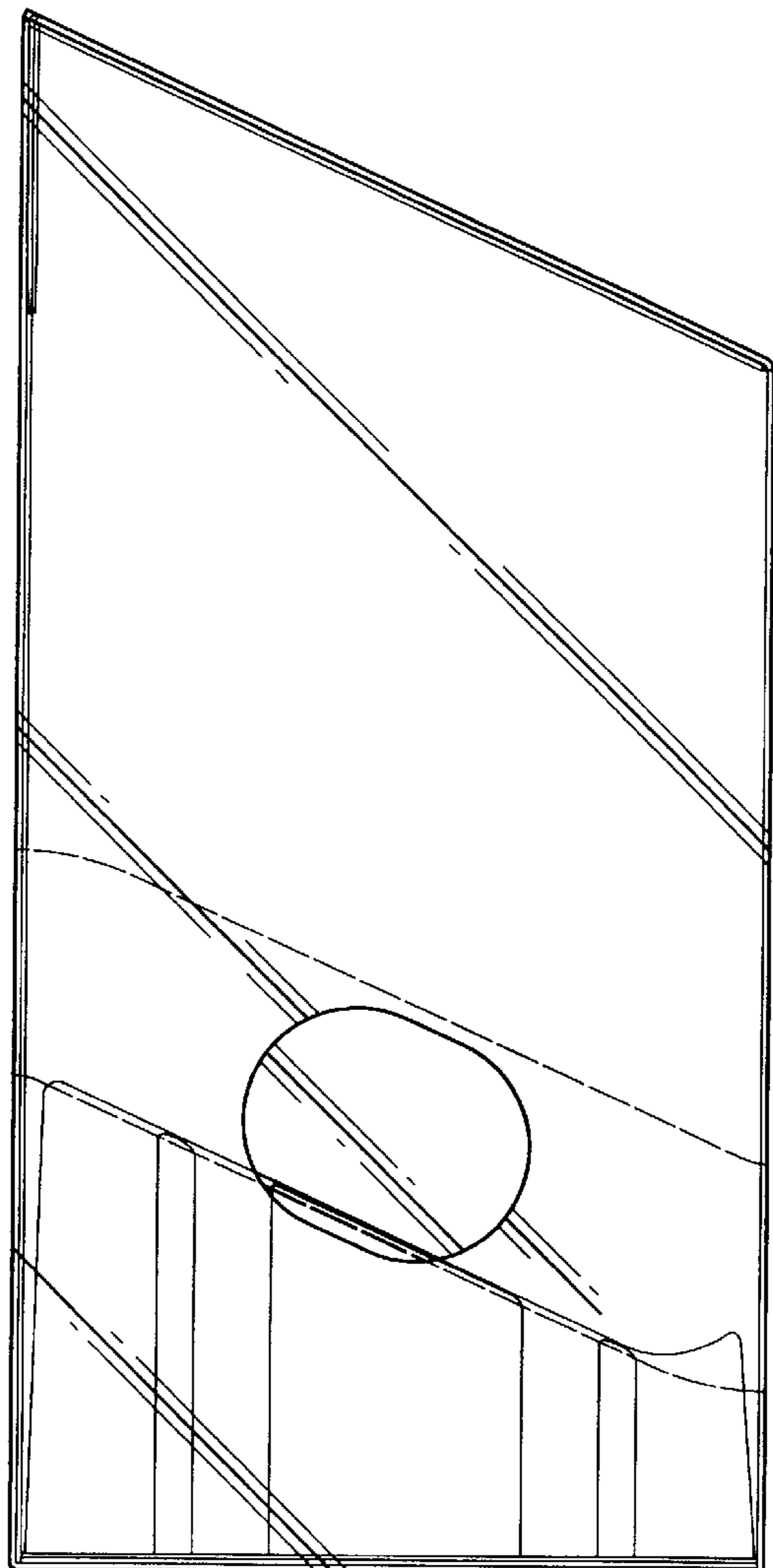


FIG. 8

