



US00D425411S

United States Patent [19]
May

[11] **Patent Number: Des. 425,411**

[45] **Date of Patent: ** May 23, 2000**

[54] **CANDY DISPENSER**

[75] Inventor: **Glenn P. May**, Canyon Country, Calif.

[73] Assignee: **Nestec S.A.**, Vevey, Switzerland

[**] Term: **14 Years**

[21] Appl. No.: **29/099,590**

[22] Filed: **Jan. 25, 1999**

[51] **LOC (7) Cl.** **09-03**

[52] **U.S. Cl.** **D9/339**

[58] **Field of Search** D6/515; D7/601,
D7/602, 629; D9/500, 501, 503, 516, 549,
499, 339; 206/800, 528, 529, 531, 535,
536, 828, 38, 37

[56] **References Cited**

U.S. PATENT DOCUMENTS

D. 292,372 10/1987 Sykes D9/339
D. 320,156 9/1991 Leopoldi et al. D9/339
D. 349,238 8/1994 Haber D9/339

D. 366,827 2/1996 Rothman D9/339
D. 375,679 11/1996 Russell D9/339

Primary Examiner—Brian N. Vinson

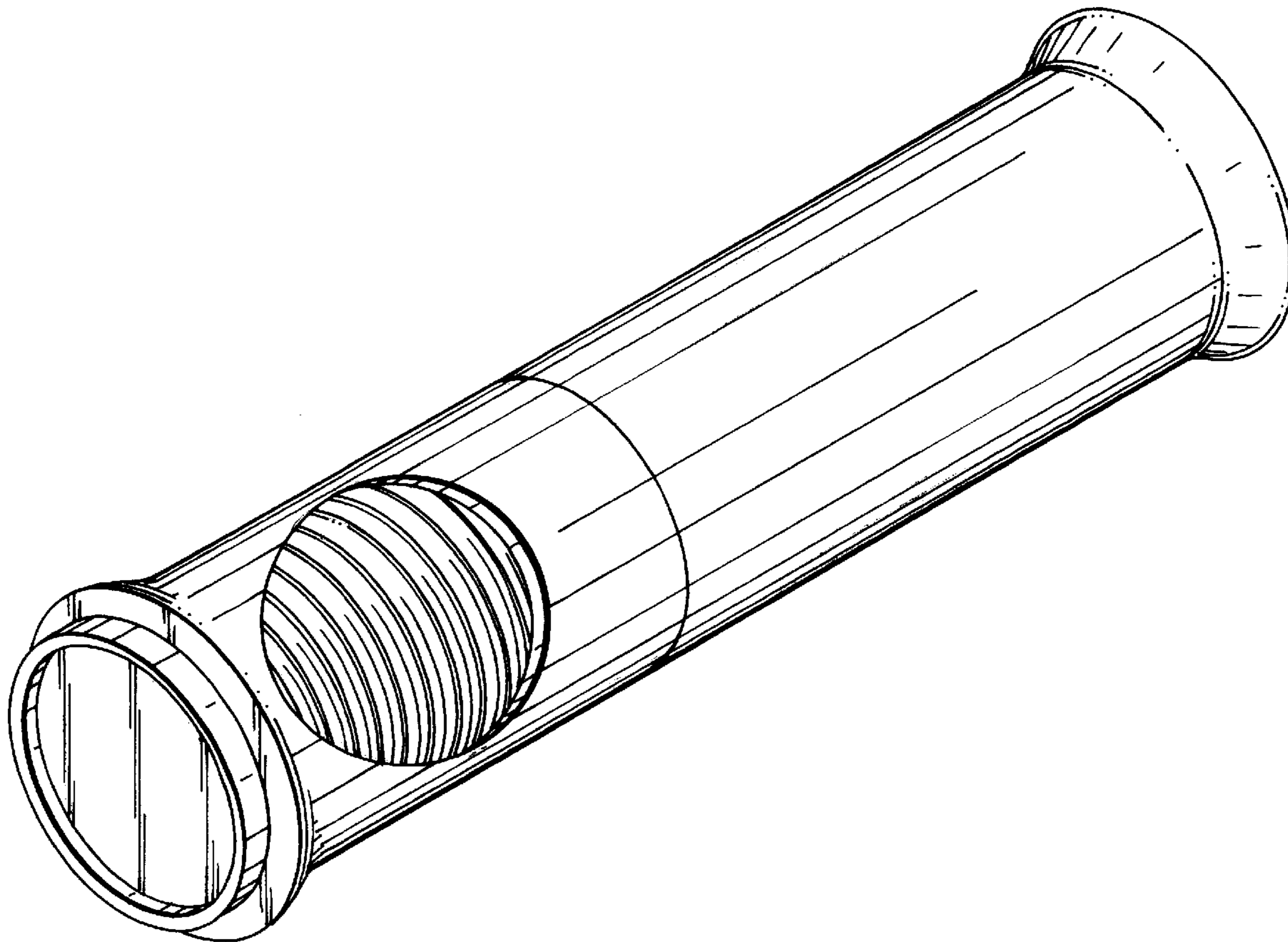
[57] **CLAIM**

The ornamental design for a candy dispenser, as shown and described.

DESCRIPTION

FIG. 1 is a top perspective view of a dispenser embodying my new design;
FIG. 2 is a front elevational view thereof;
FIG. 3 is a side elevational view thereof, the opposite side being the same in appearance;
FIG. 4 is a rear elevational view thereof;
FIG. 5 is a top plan view thereof;
FIG. 6 is a bottom plan view thereof;
FIG. 7 is a front elevational view thereof with the top section in a dispensing position; and,
FIG. 8 is a front elevational view thereof exploded for clarity of illustration.

1 Claim, 3 Drawing Sheets



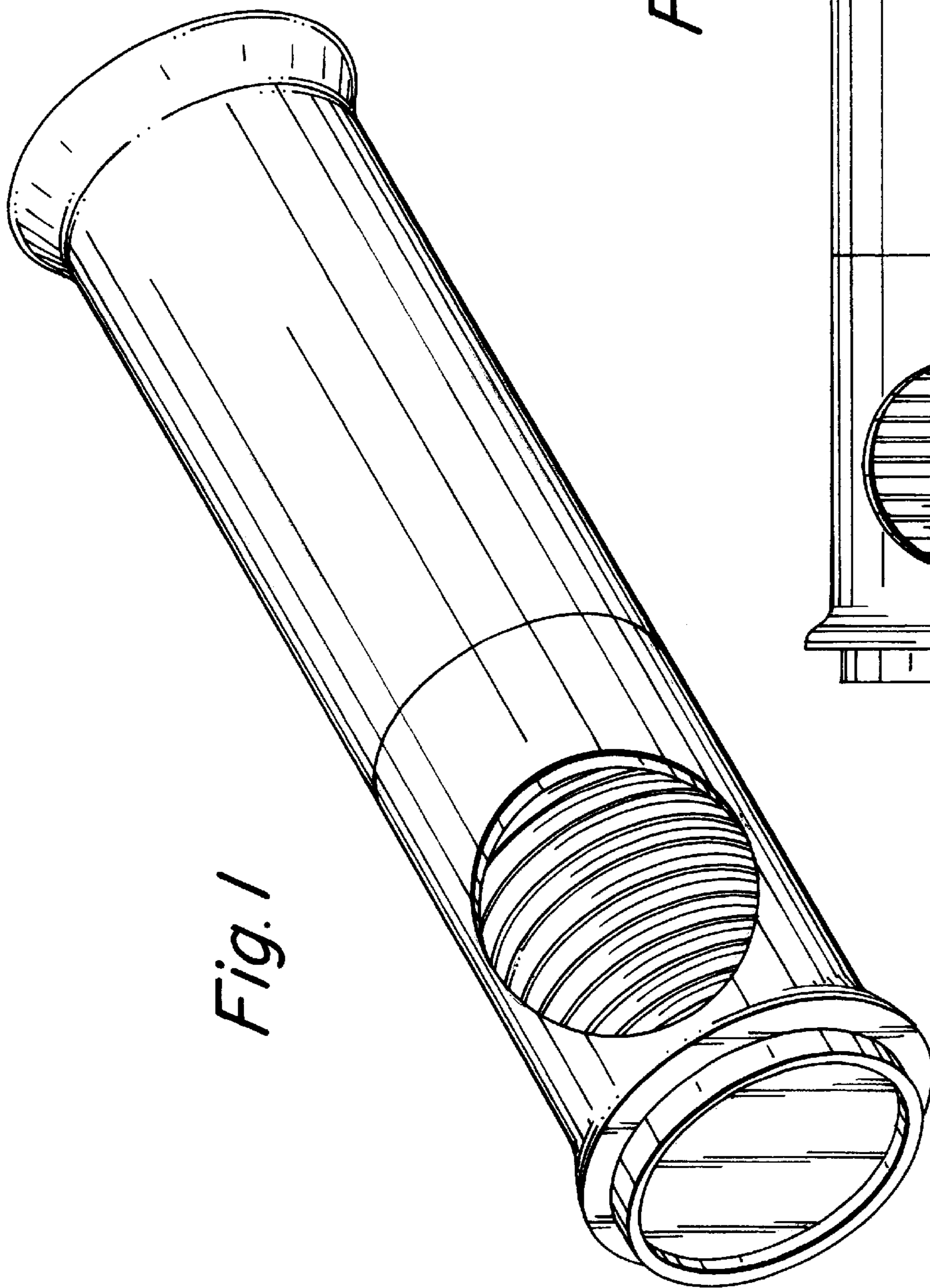
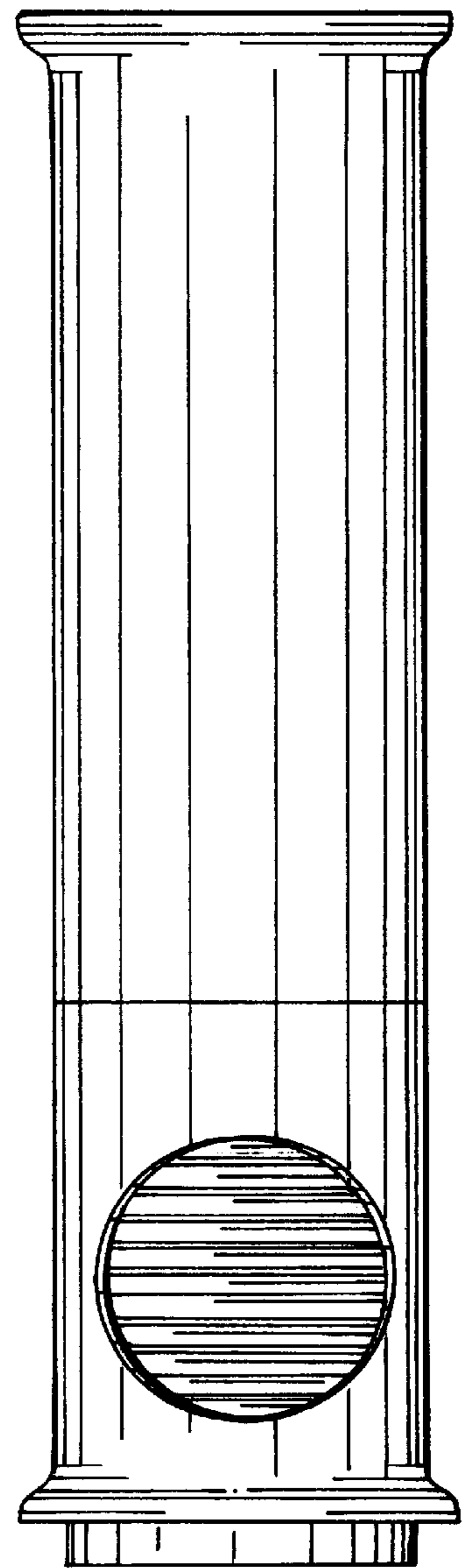


Fig. 1

Fig. 2



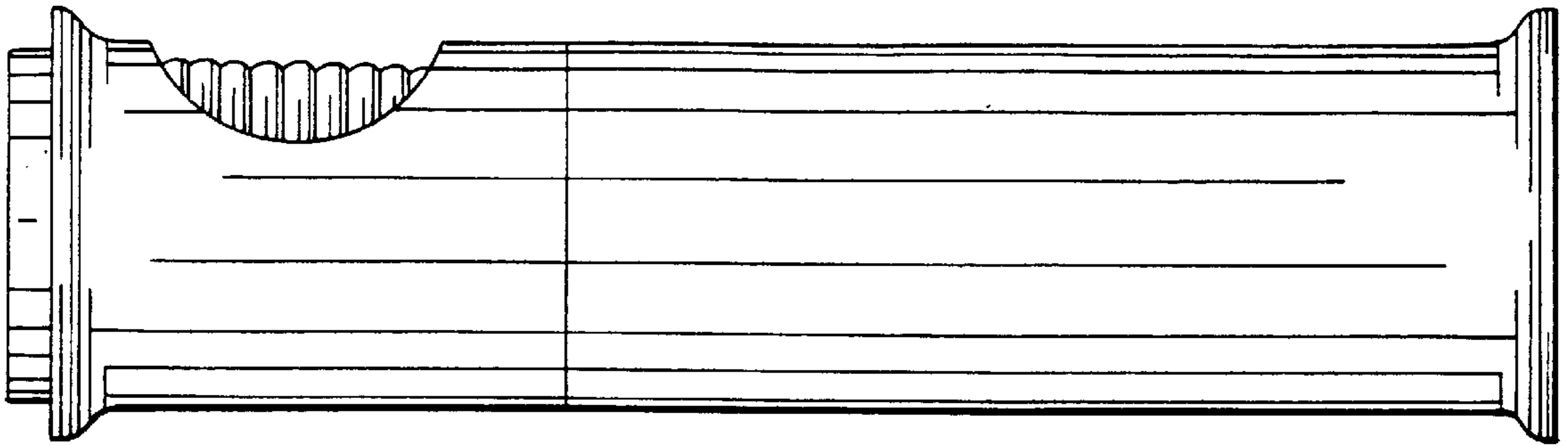


Fig. 3

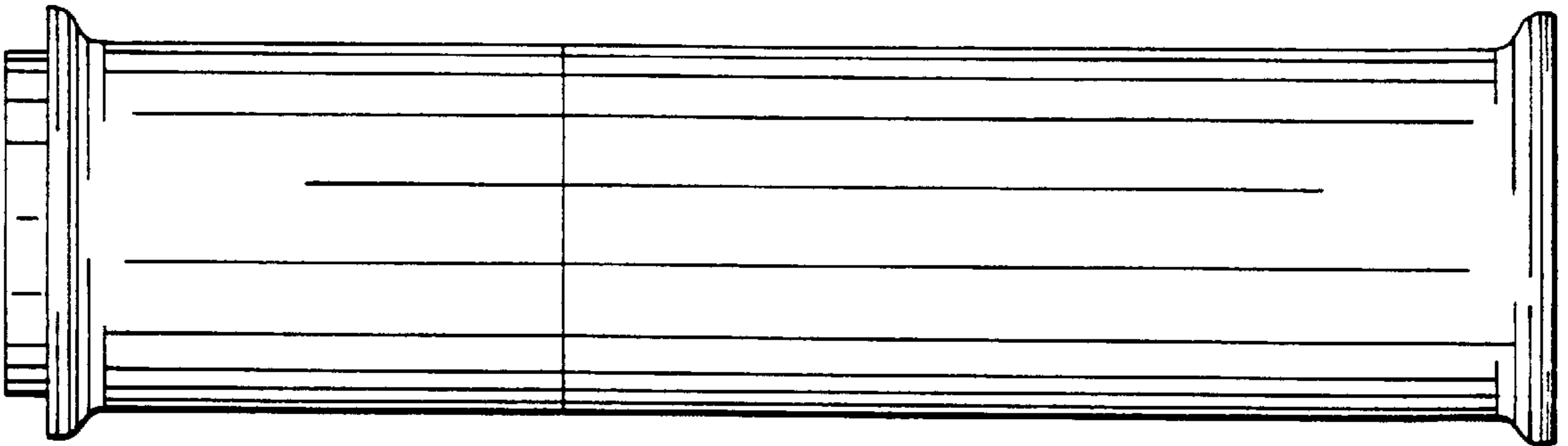


Fig. 4

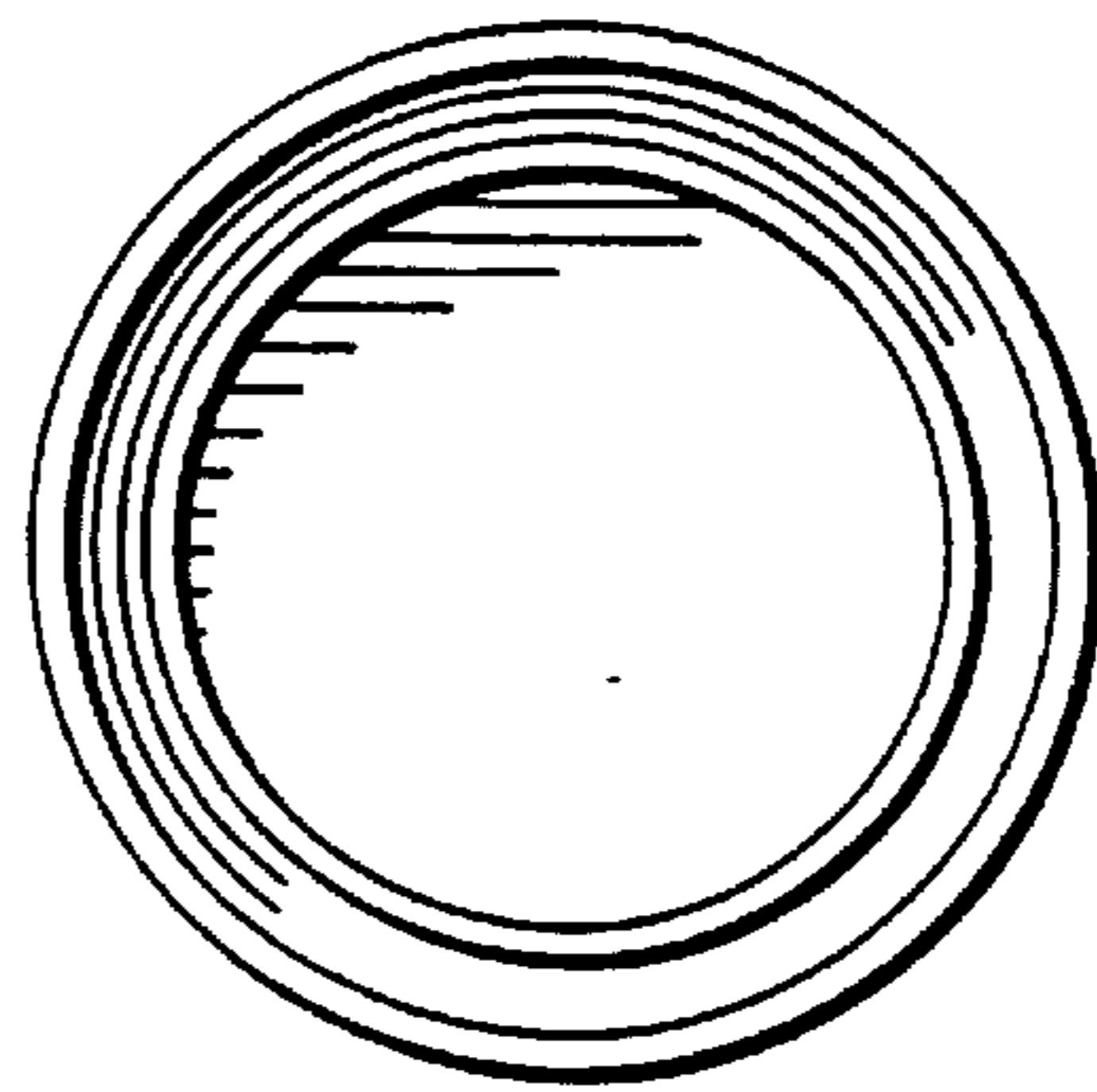


Fig. 5

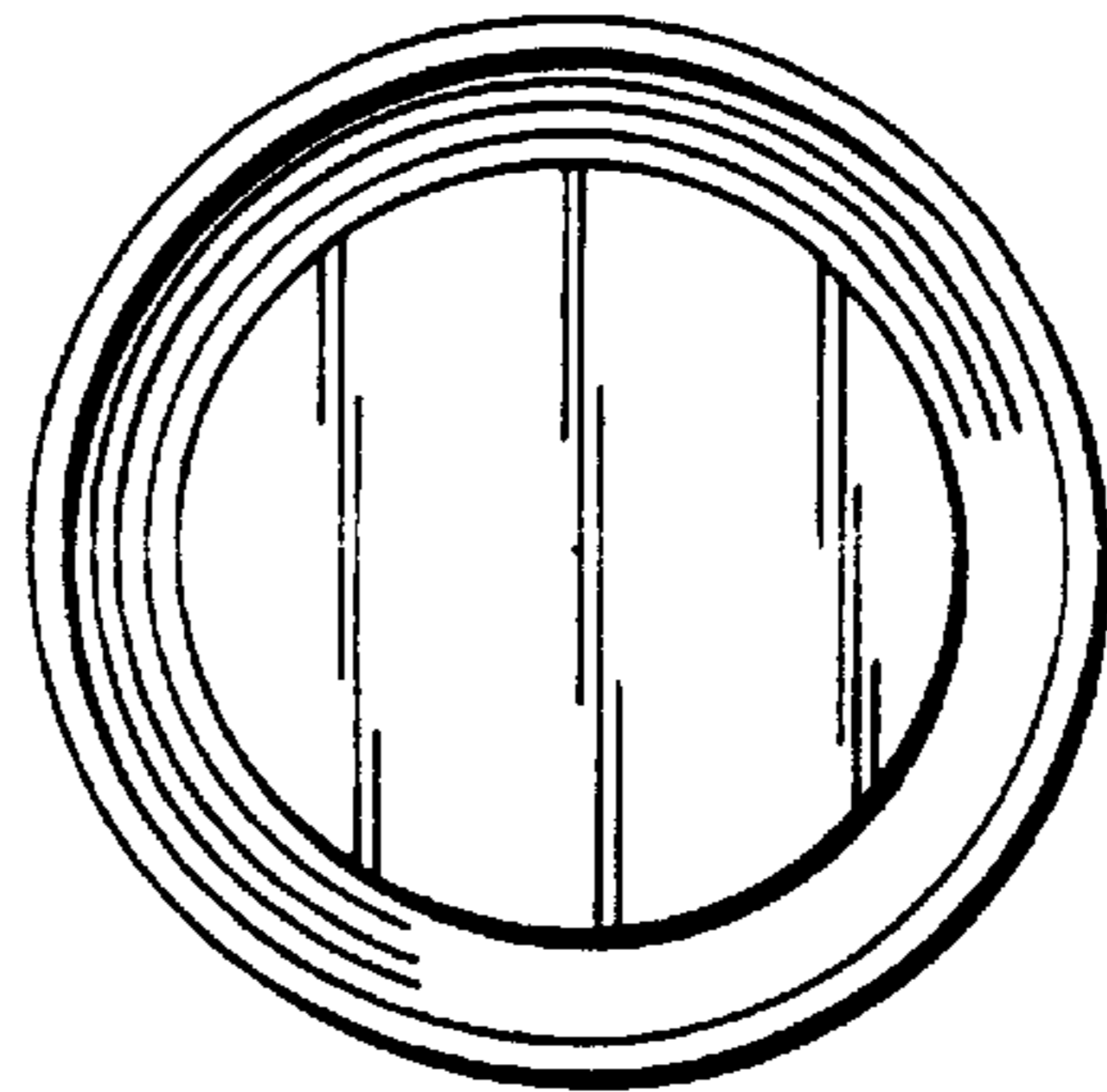


Fig. 6

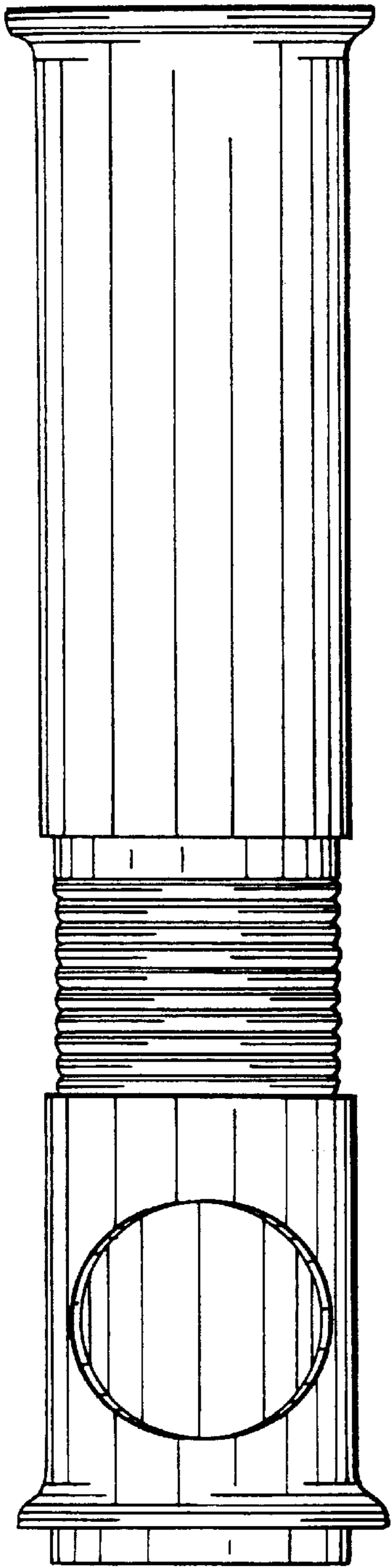


Fig. 7

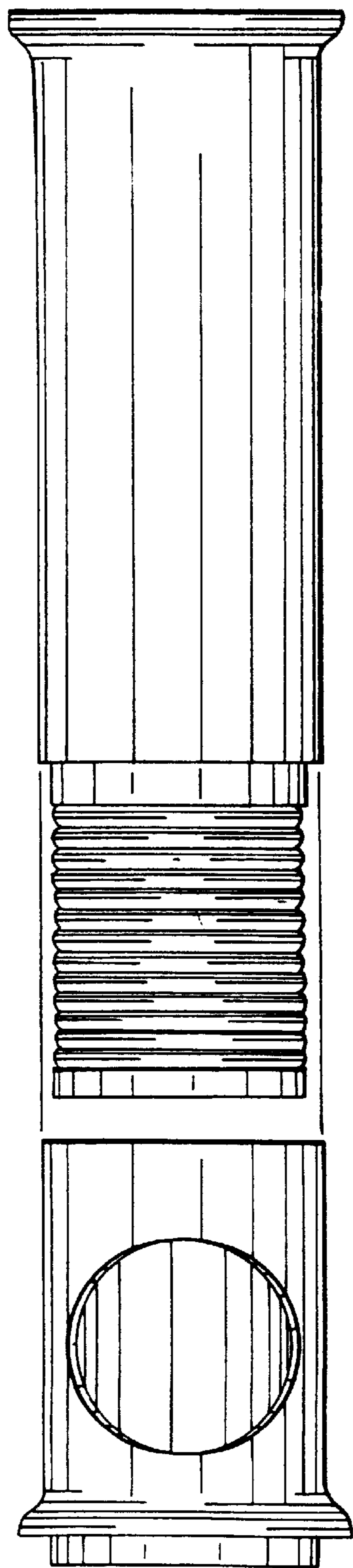


Fig. 8