



US00D425405S

United States Patent [19]

Naohara et al.

[11] Patent Number: **Des. 425,405**

[45] Date of Patent: **** May 23, 2000**

[54] **HOOK ELEMENT PIECE FOR HOOK-AND-LOOP FASTENER**

5,067,210 11/1991 Kayaki 248/442

[75] Inventors: **Masayuki Naohara**, Toyama; **Mitsuru Akeno**, Kurobe, both of Japan

FOREIGN PATENT DOCUMENTS

864310 3/1993 Japan .
1015107 7/1998 Japan .

[73] Assignee: **YKK Corporation**, Tokyo, Japan

Primary Examiner—Holly Baynham
Attorney, Agent, or Firm—Hill & Simpson

[**] Term: **14 Years**

[57] CLAIM

[21] Appl. No.: **29/102,704**

The ornamental design for a hook element piece for a hook-and-loop fastener, as shown and described.

[22] Filed: **Mar. 30, 1999**

DESCRIPTION

[30] Foreign Application Priority Data

Dec. 7, 1998 [JP] Japan 10-35355

FIG. 1 is a front view of a hook element piece for a hook-and-loop fastener.

[51] **LOC (7) Cl.** **08-08**

FIG. 2 is a plan view of the hook element piece of FIG. 1.

[52] **U.S. Cl.** **D8/382; D11/200**

FIG. 3 is a base view of the hook element piece of FIG. 1.

[58] **Field of Search** D8/382; D11/200;
24/452, 450, 306

FIG. 4 is a right side view of the hook element piece of FIG. 1.

FIG. 5 is a cross-sectional view taken on line A—A of FIG. 2; and,

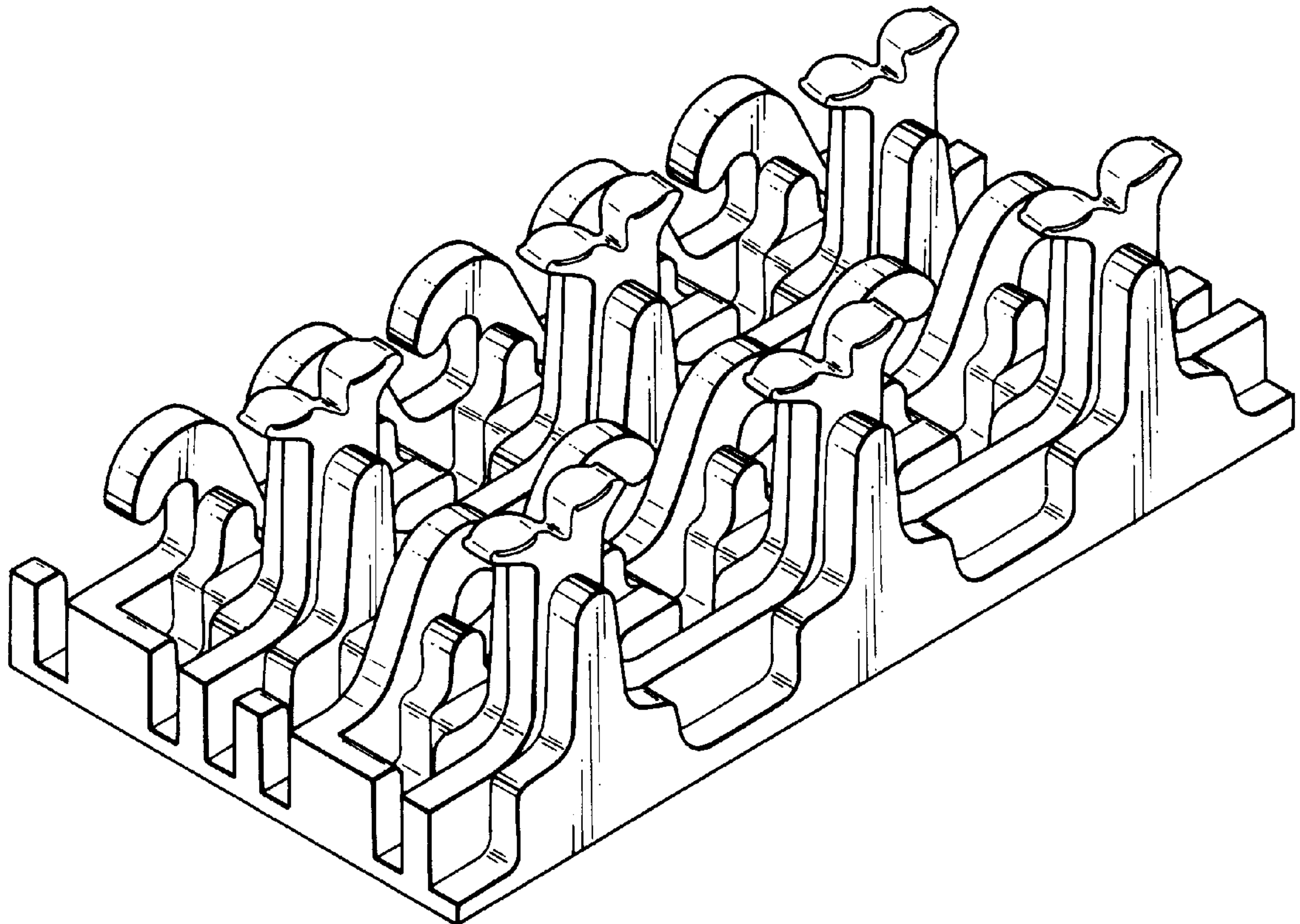
[56] References Cited

U.S. PATENT DOCUMENTS

D. 367,419 2/1996 Murasaki D8/382
D. 374,813 10/1996 Akeno D8/382
D. 376,533 12/1996 Akeno D8/382

FIG. 6 is a fragmentary perspective view of the hook element piece of FIG. 1.

1 Claim, 3 Drawing Sheets



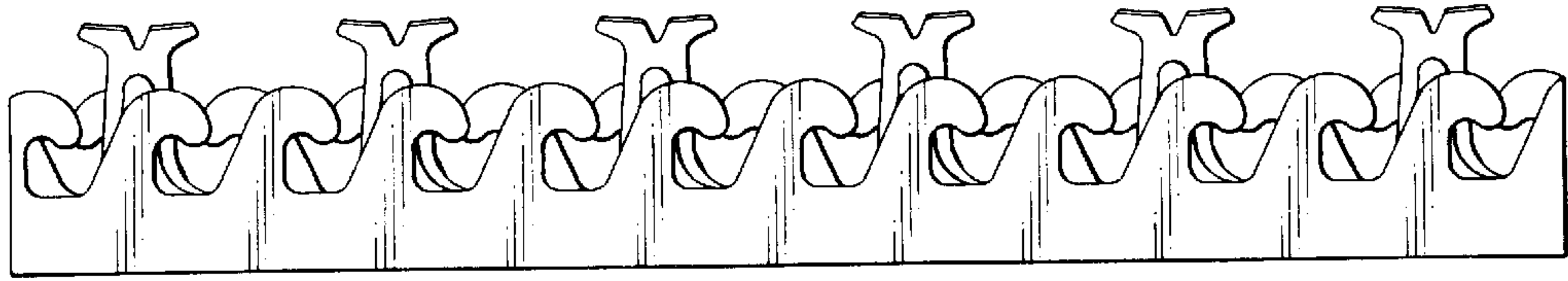


FIG. 1

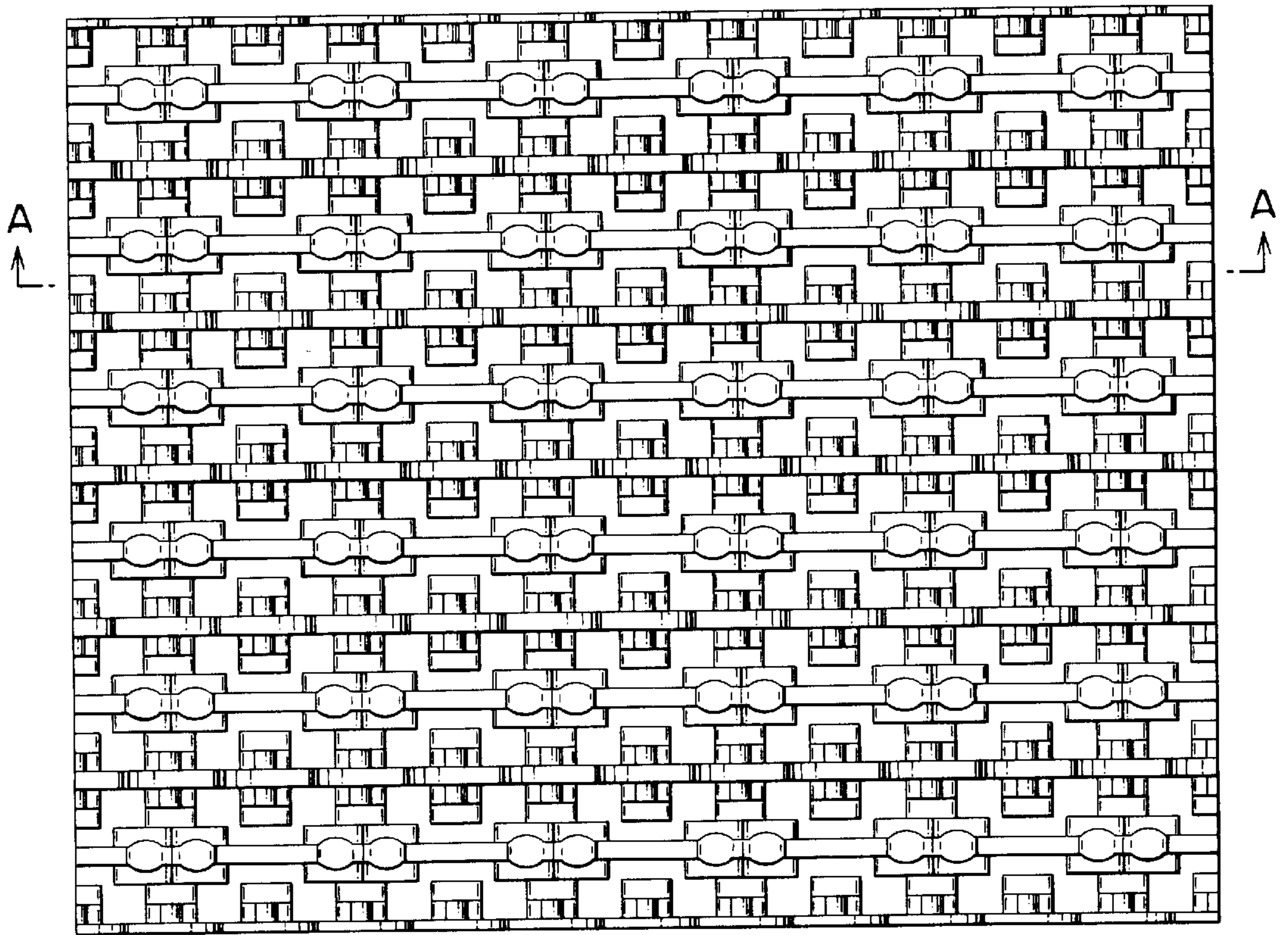


FIG. 2

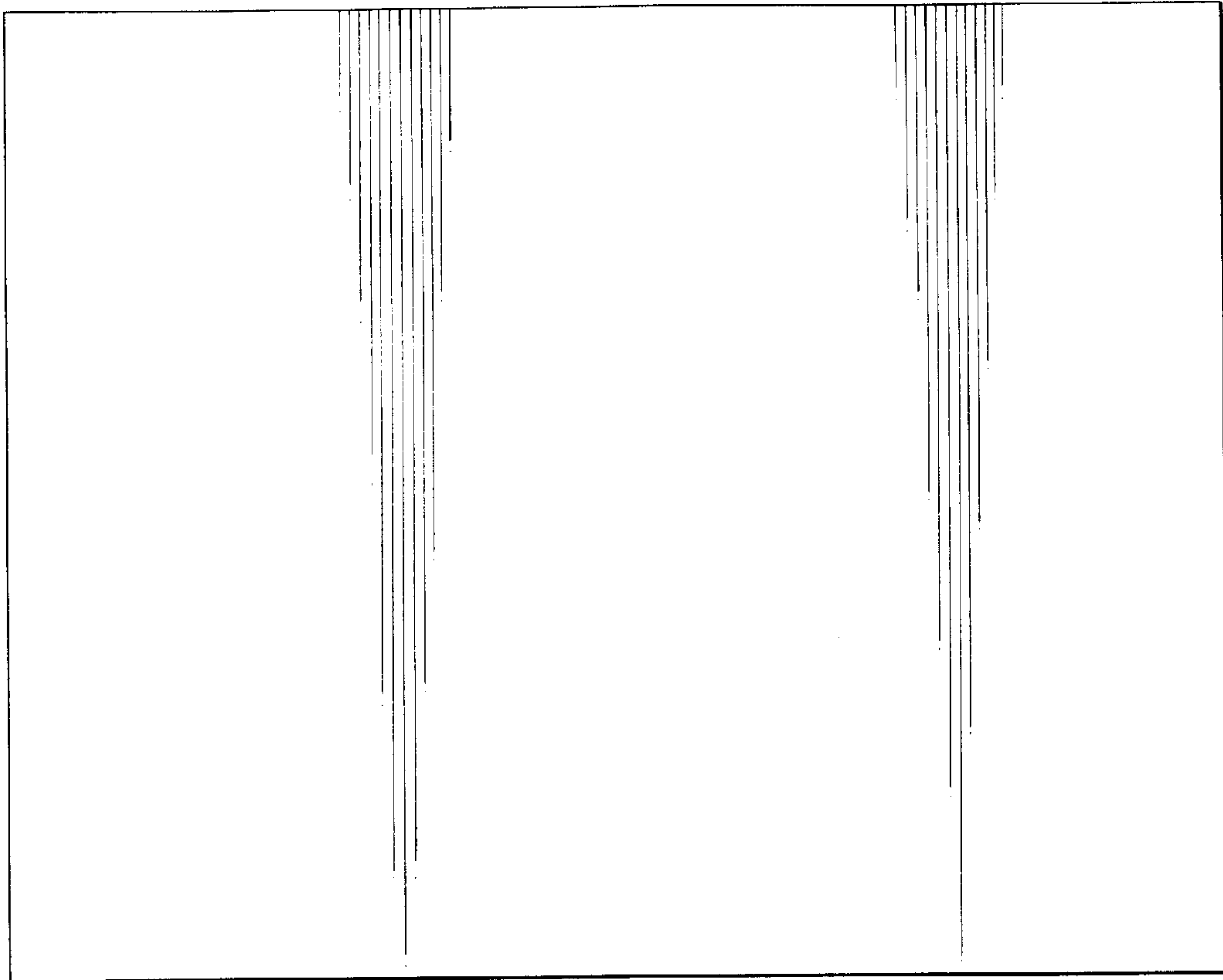


FIG. 3

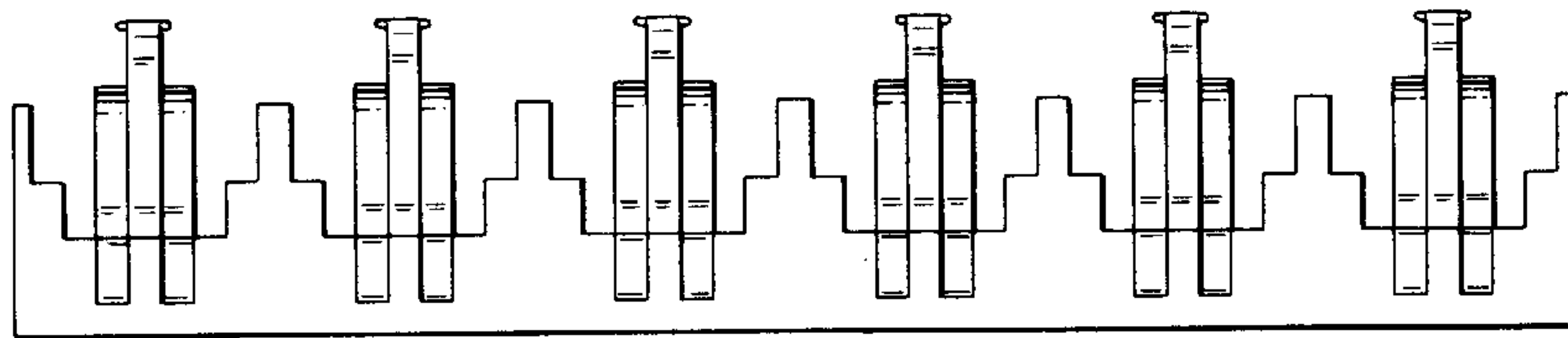


FIG. 4

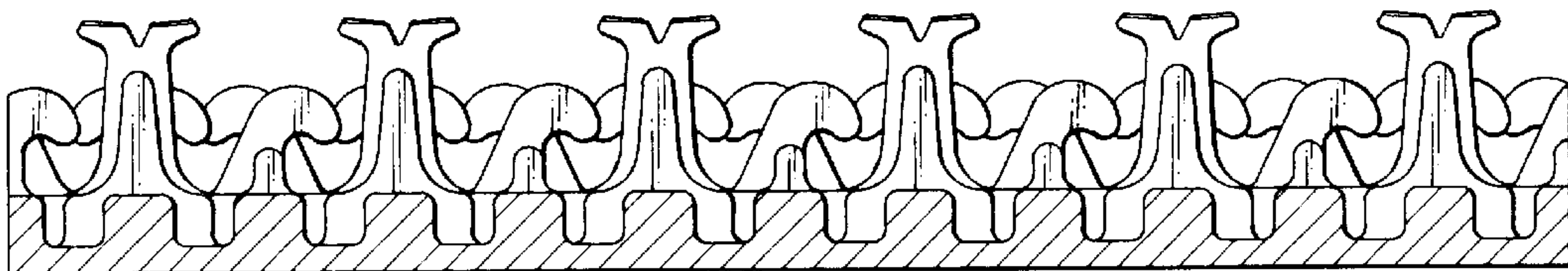


FIG. 5

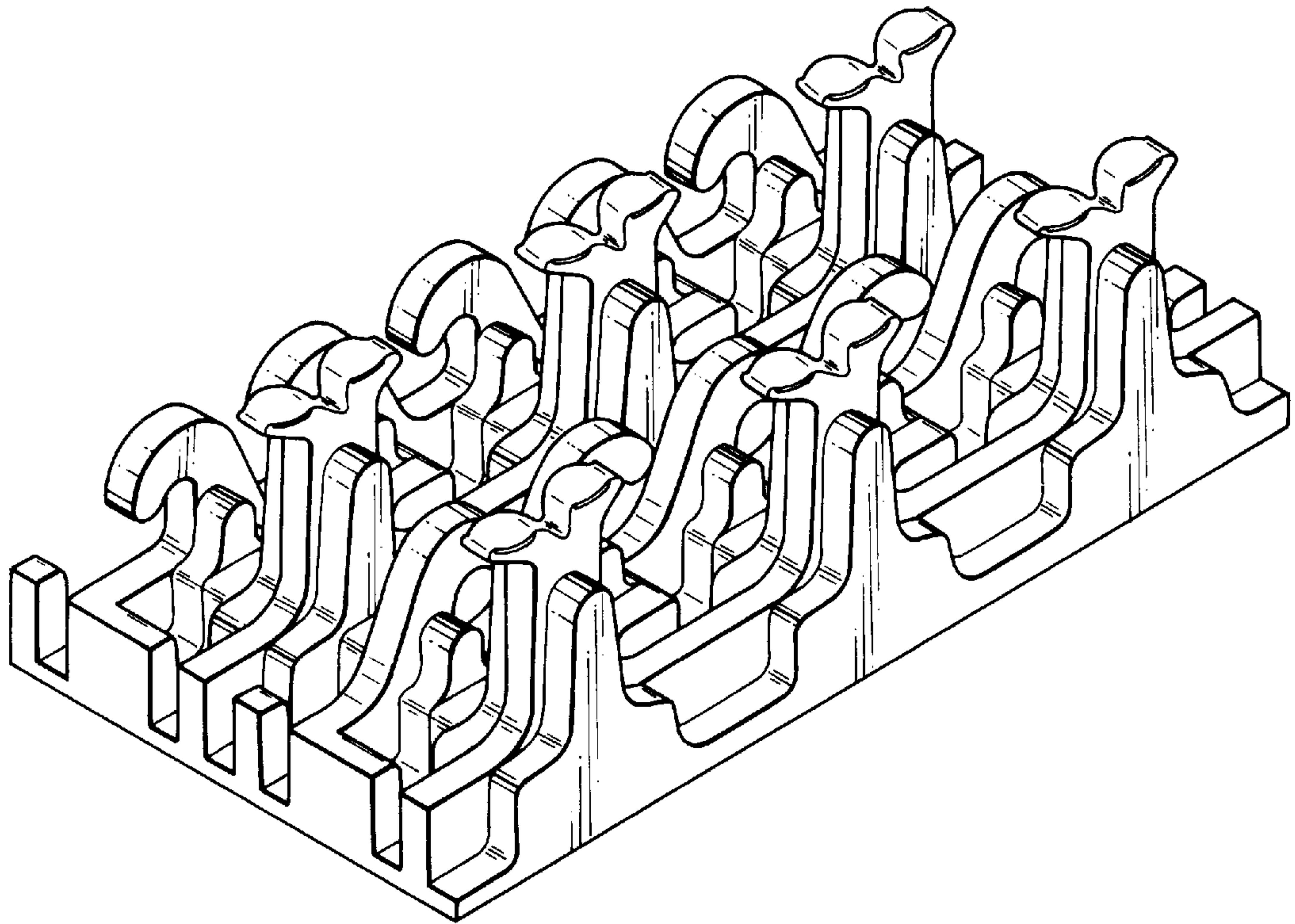


FIG. 6