



US00D425404S

United States Patent [19]

[11] **Patent Number: Des. 425,404**

Thomas et al.

[45] **Date of Patent: ** May 23, 2000**

[54] **WIRESPOOL**

554,226 2/1896 White et al. 242/128

[75] Inventors: **Bill Reed Thomas**, Edmond; **Danny Reed Thomas**, Moore, both of Okla.

Primary Examiner—Holly Baynham
Attorney, Agent, or Firm—Crowe & Dunlevy

[73] Assignee: **Thomas Wirespools, Inc.**, Edmond, Okla.

[57] **CLAIM**

[**] Term: **14 Years**

The ornamental design for a wirespool, as shown and described.

[21] Appl. No.: **29/103,976**

DESCRIPTION

[22] Filed: **Apr. 26, 1999**

FIG. 1 is a perspective view of a wirespool showing the new design;

[51] **LOC (7) Cl.** **08-05**

FIG. 2 is a front elevational view thereof;

[52] **U.S. Cl.** **D8/358**

FIG. 3 is a rear view thereof;

[58] **Field of Search** D8/358; 242/578.2, 242/118.8, 608.7, 129

FIG. 4 is a side view thereof;

FIG. 5 is an elevational view of the opposite side;

[56] **References Cited**

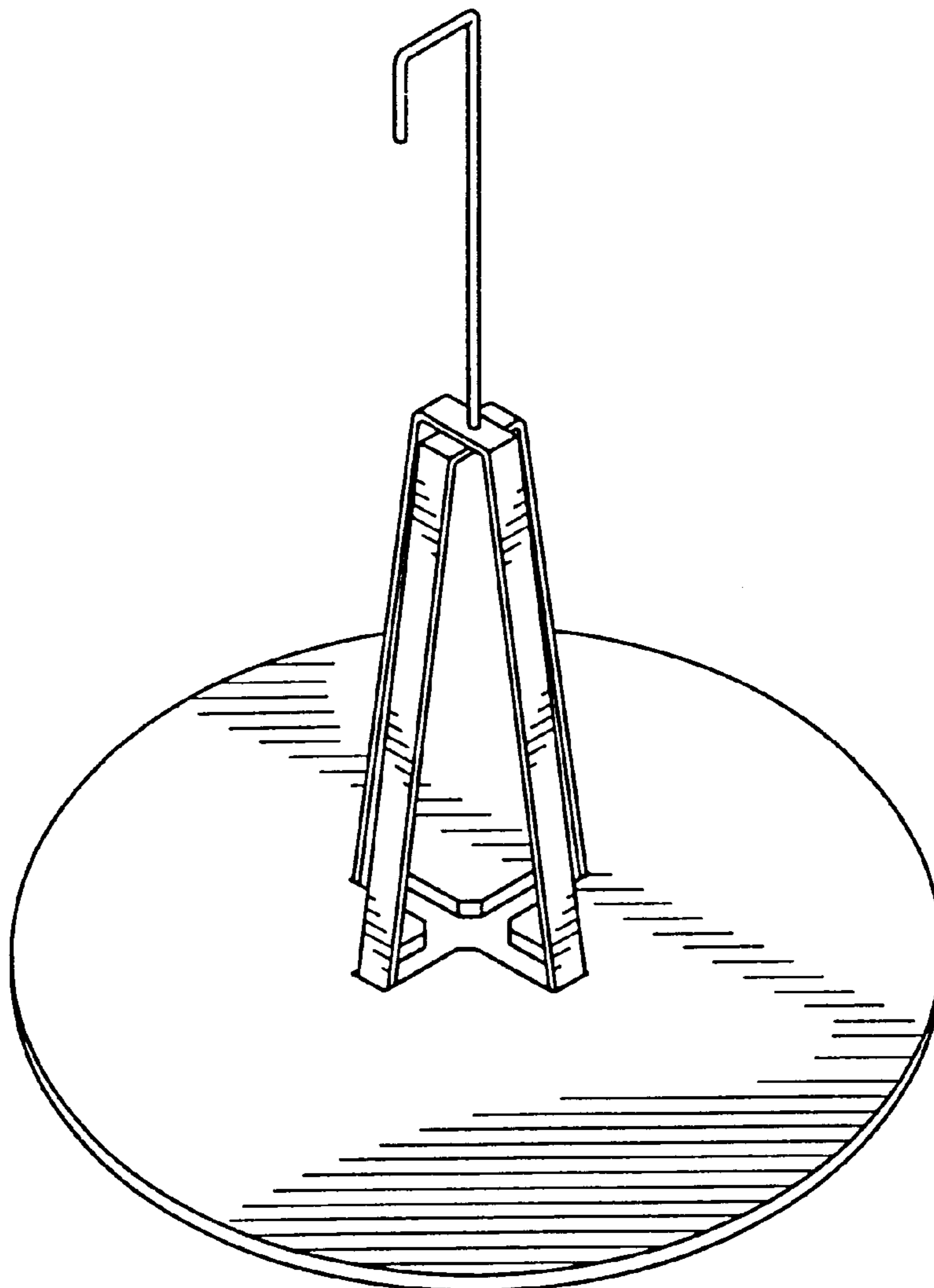
FIG. 6 is a top view thereof; and,

FIG. 7 is a bottom view thereof.

U.S. PATENT DOCUMENTS

D. 229,821 1/1974 Bourhenne D8/358

1 Claim, 2 Drawing Sheets



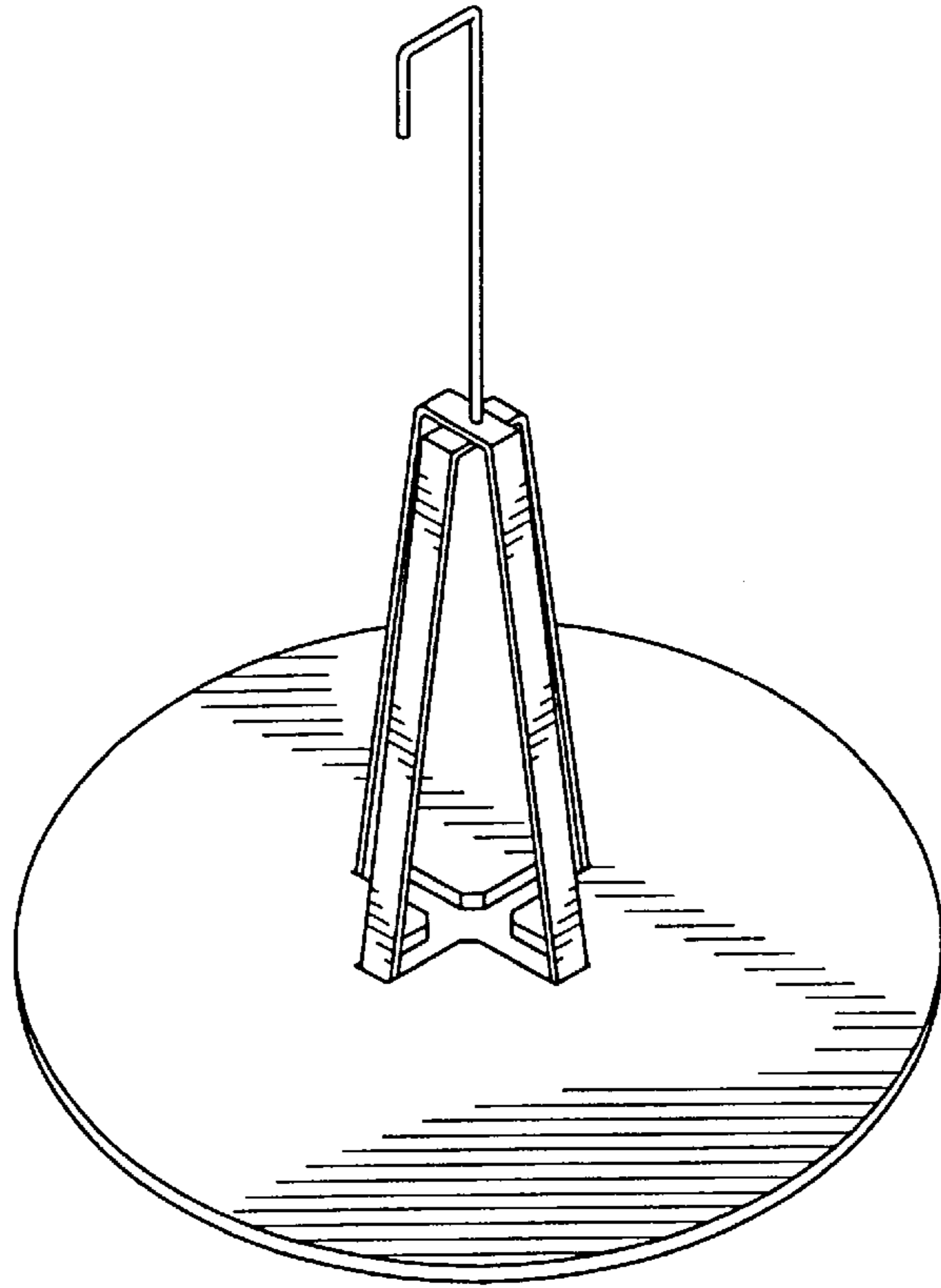


FIG. 1

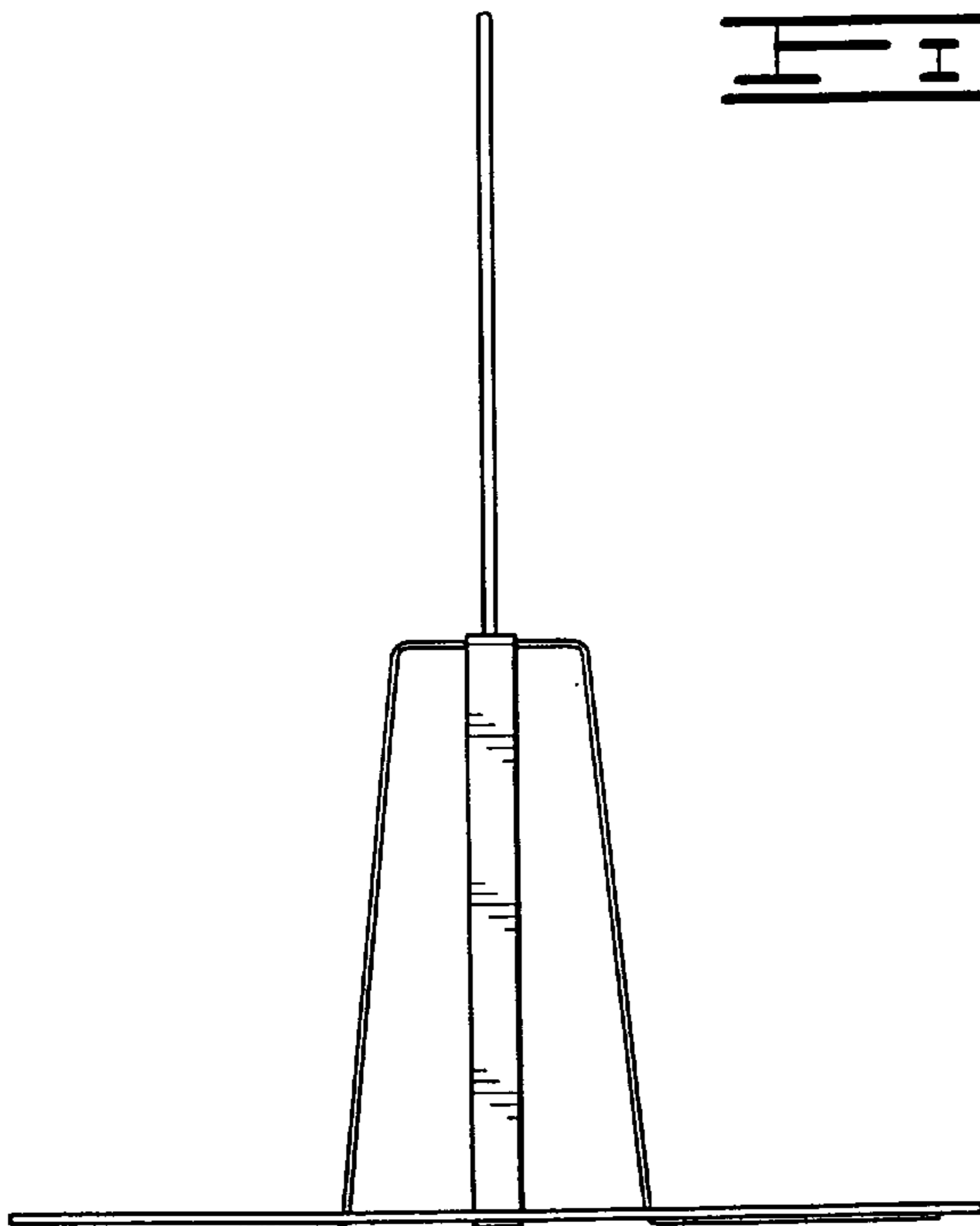


FIG. 2

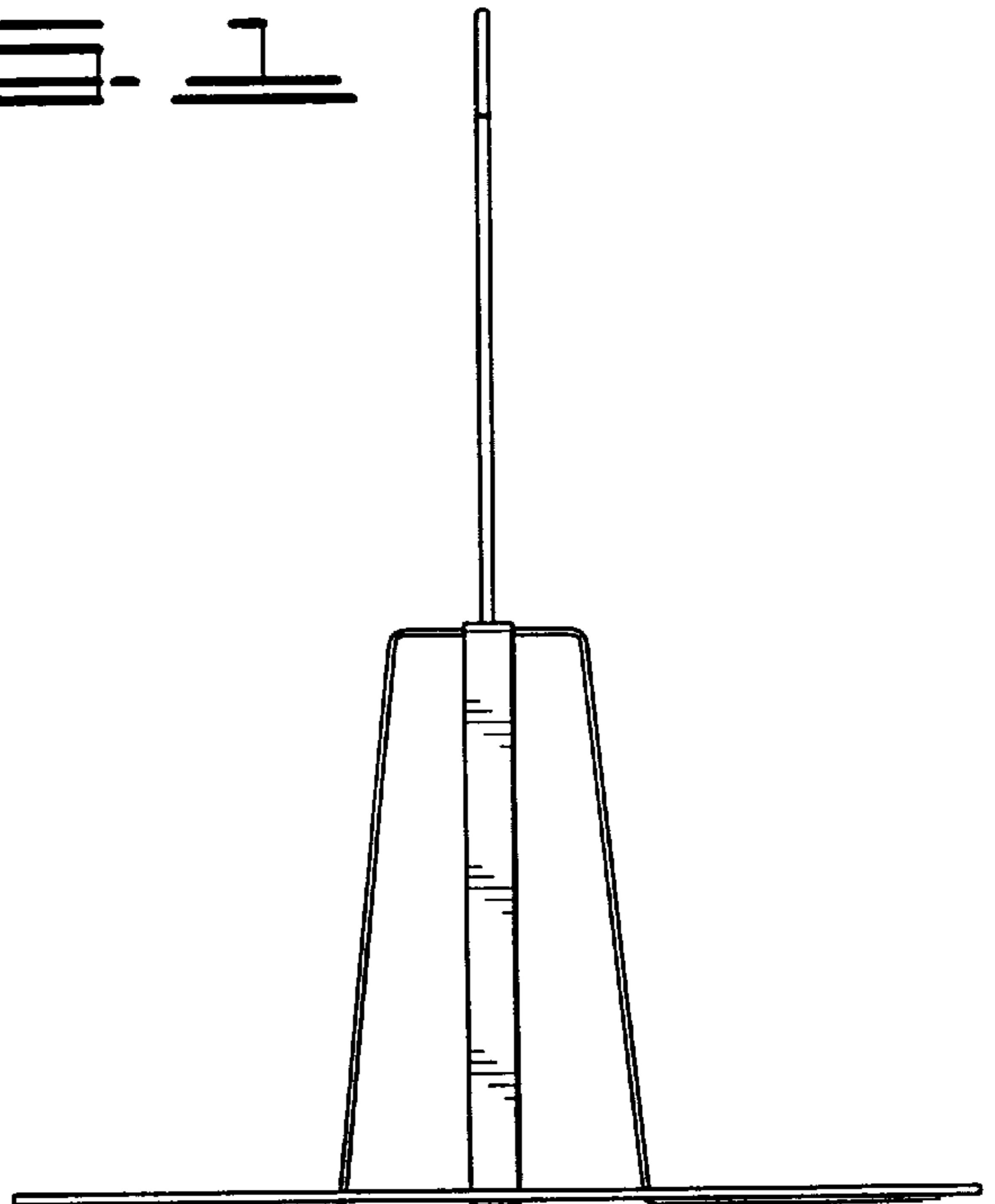


FIG. 3

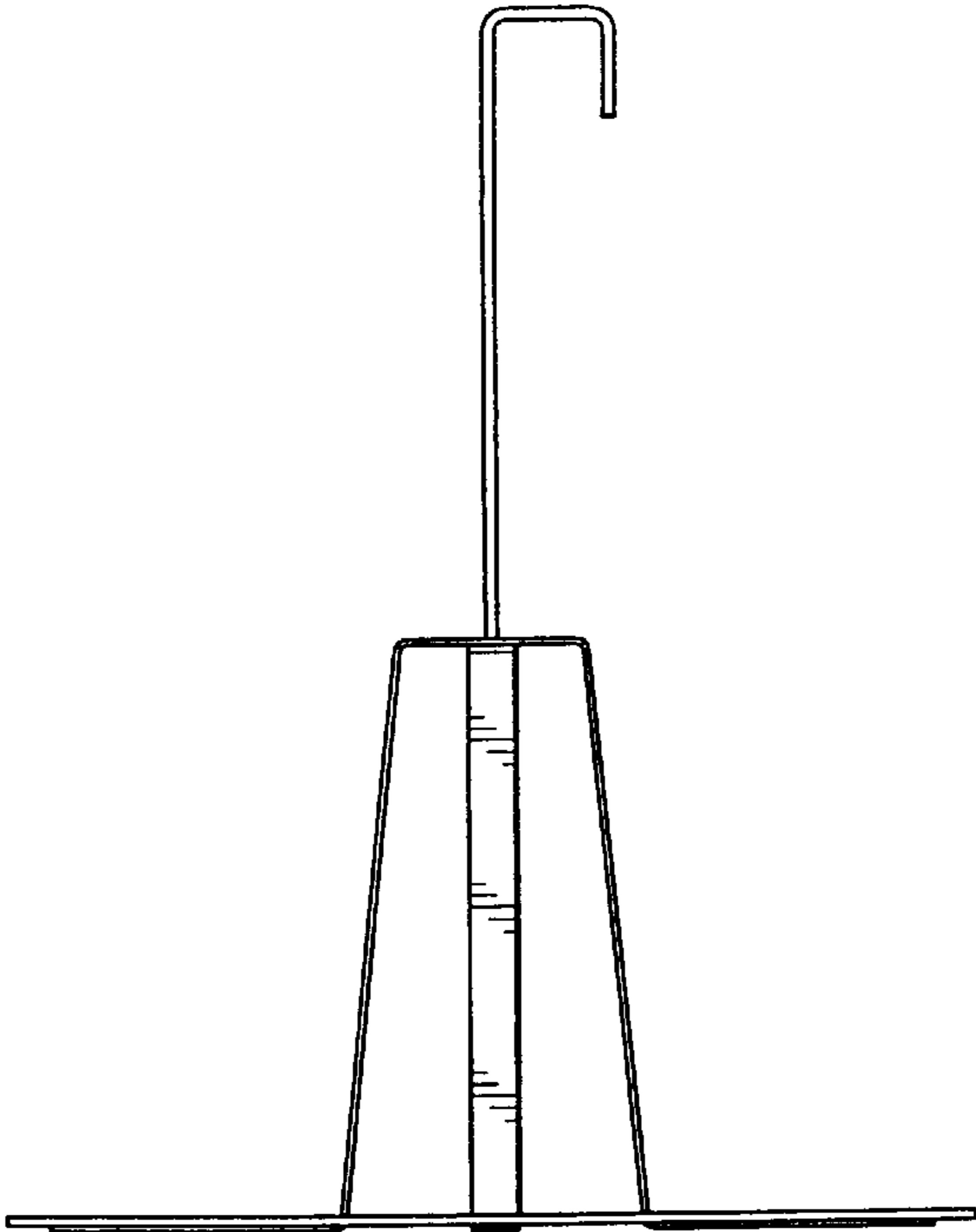


FIG. 4

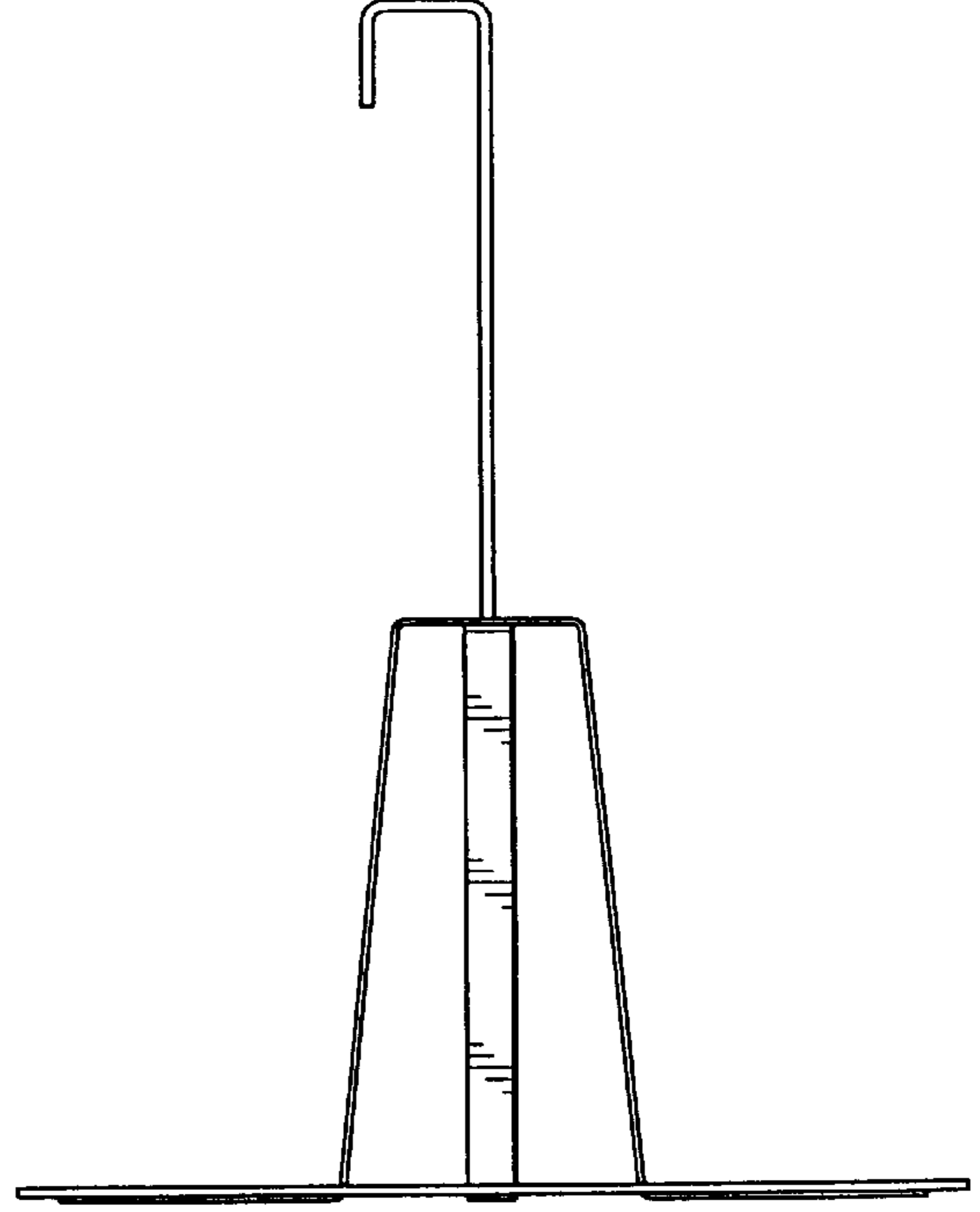


FIG. 5

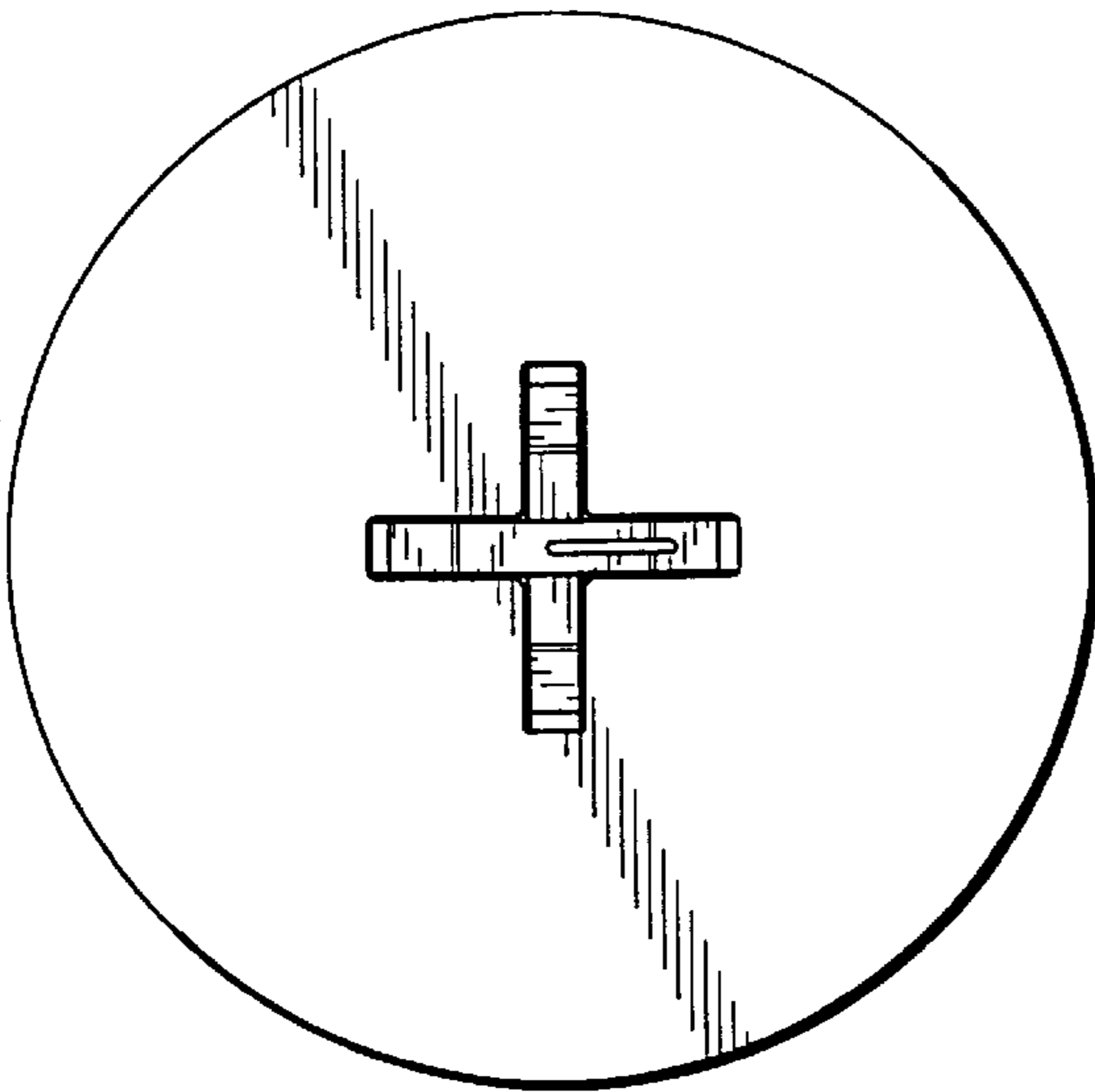


FIG. 6

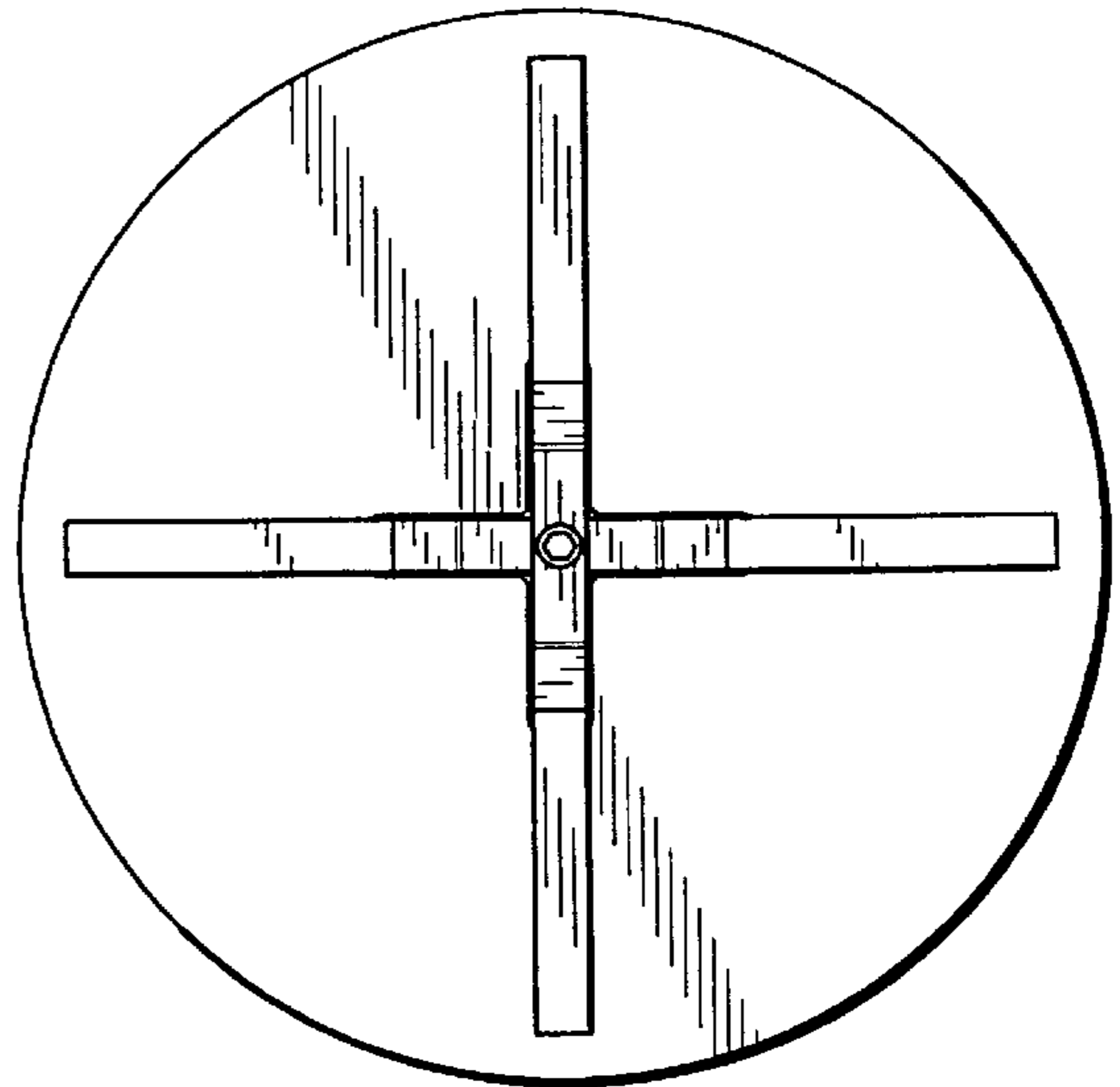


FIG. 7