



US00D425403S

**United States Patent** [19]  
**Medina**

[11] **Patent Number: Des. 425,403**

[45] **Date of Patent: \*\* May 23, 2000**

[54] **SUSPENDED CONCRETE HANGER INSERT**

5,971,330 7/1998 Noba et al. .... 248/73

[76] Inventor: **Fidel N. Medina**, 402 Kingsford St.,  
Monterey Park, Calif. 91754

*Primary Examiner*—Holly Baynham  
*Attorney, Agent, or Firm*—Walter Unterberg

[\*\*] Term: **14 Years**

[57] **CLAIM**

[21] Appl. No.: **29/107,642**

The ornamental design for a suspended concrete hanger insert, as shown.

[22] Filed: **Jul. 9, 1999**

**DESCRIPTION**

[51] **LOC (7) Cl.** ..... **08-05**

[52] **U.S. Cl.** ..... **D8/354**

[58] **Field of Search** ..... D8/349, 354; 248/300,  
248/200, 27.1; 52/715, 719

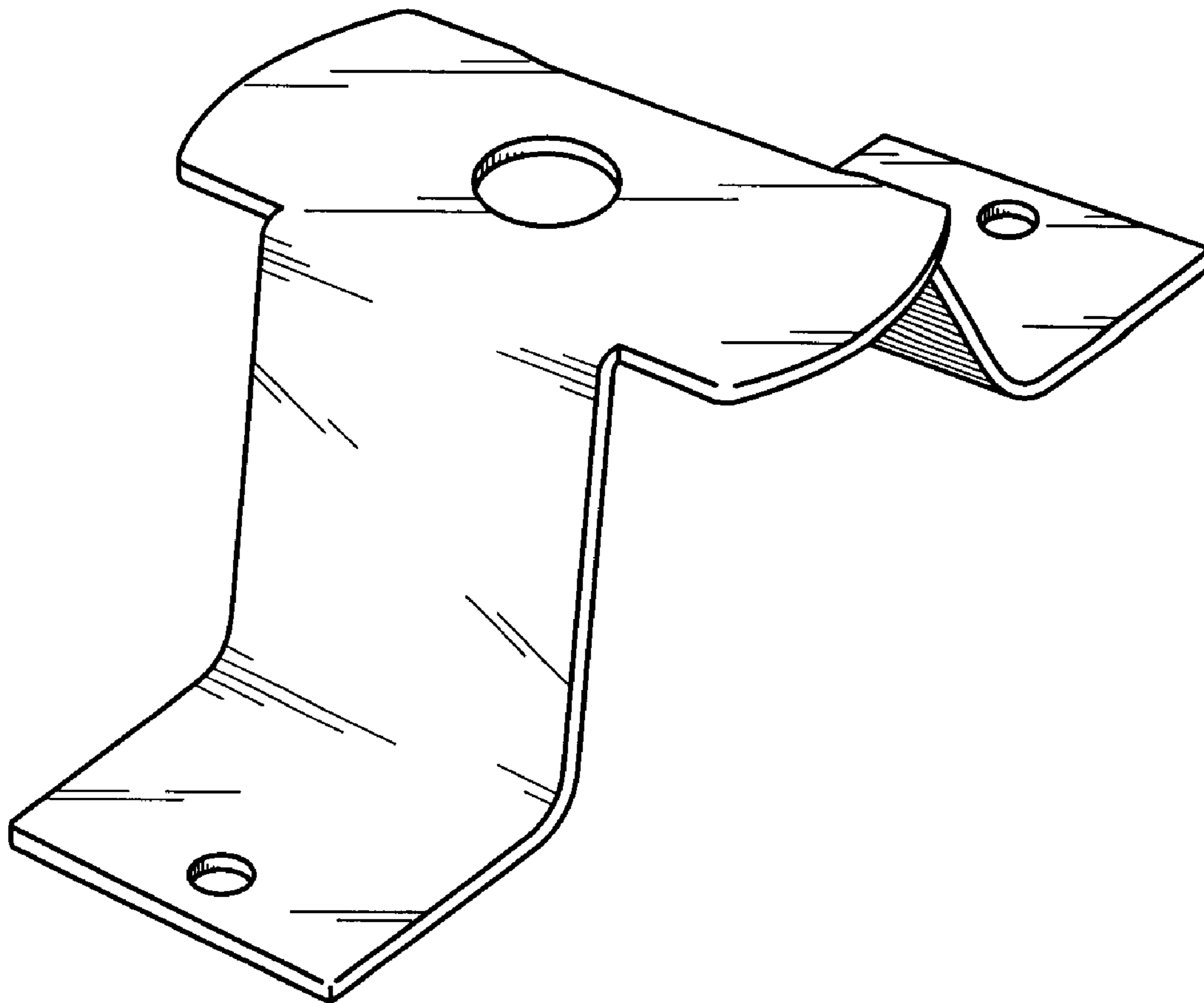
FIG. 1 is a pictorial view of a suspended concrete hanger insert showing my new design;  
FIG. 2 is a top view thereof;  
FIG. 3 is a side view thereof;  
FIG. 4 is an end view thereof; and,  
FIG. 5 is a bottom view thereof.

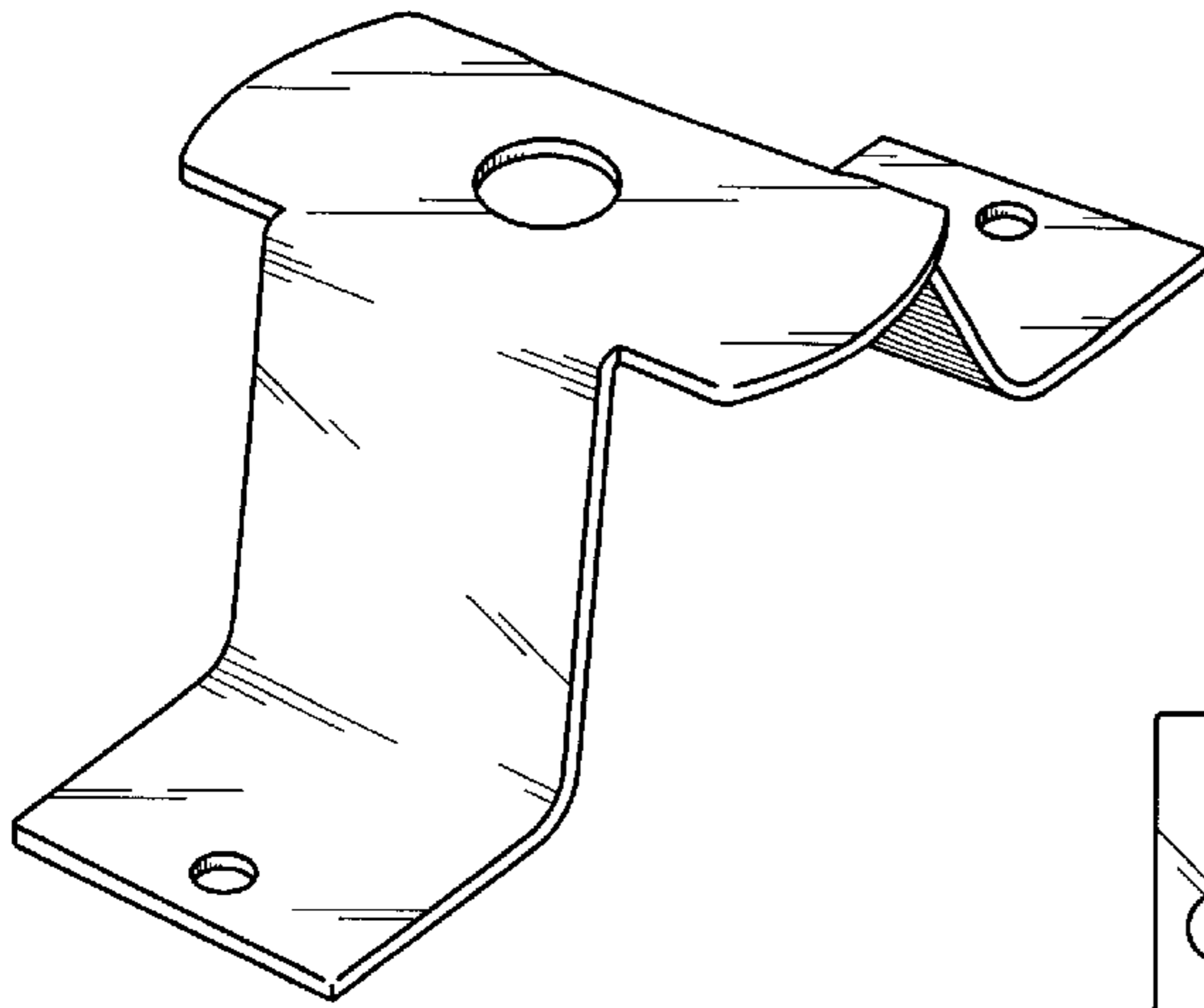
[56] **References Cited**

**U.S. PATENT DOCUMENTS**

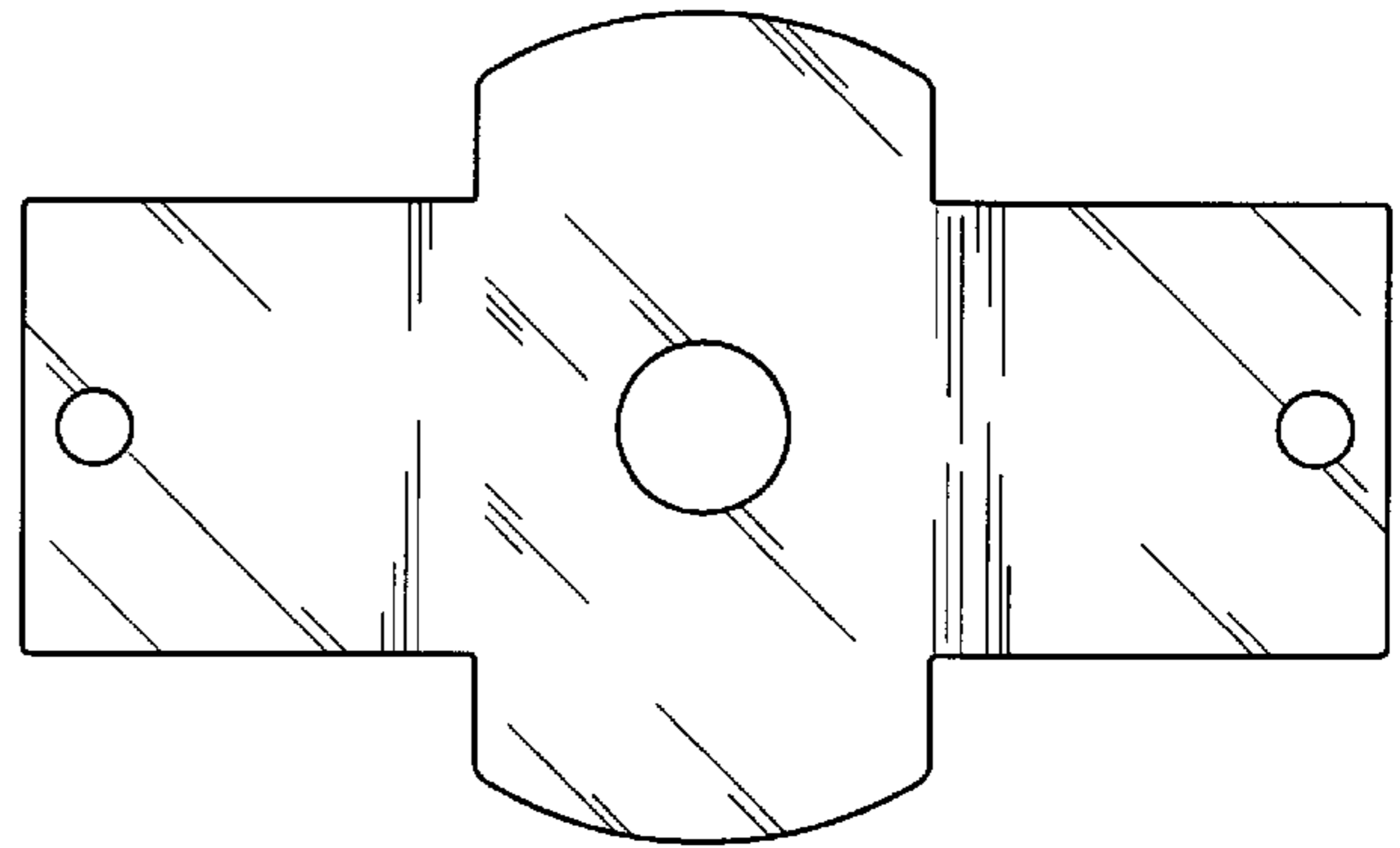
D. 417,835 12/1999 Williams ..... D8/356

**1 Claim, 1 Drawing Sheet**

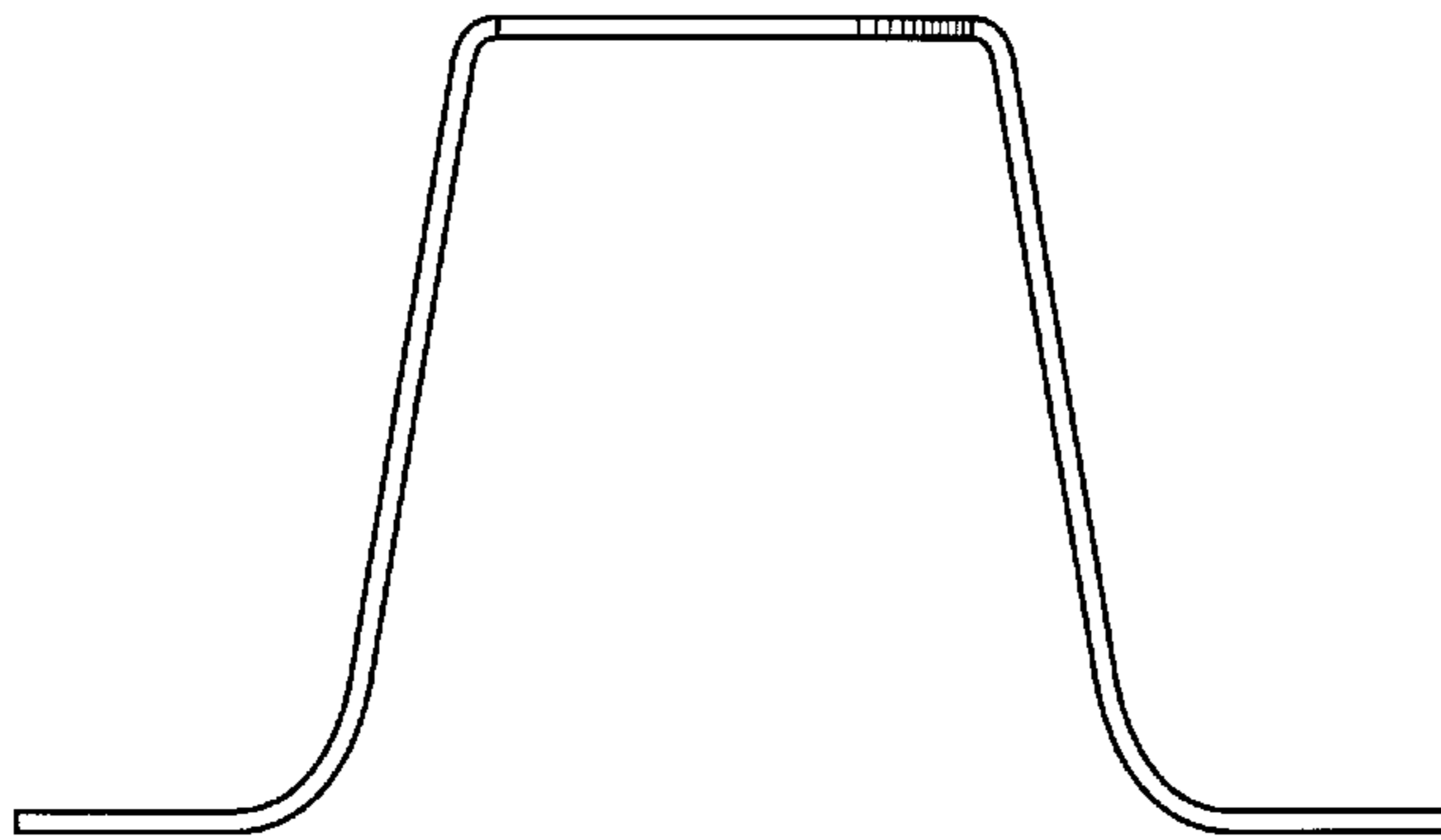




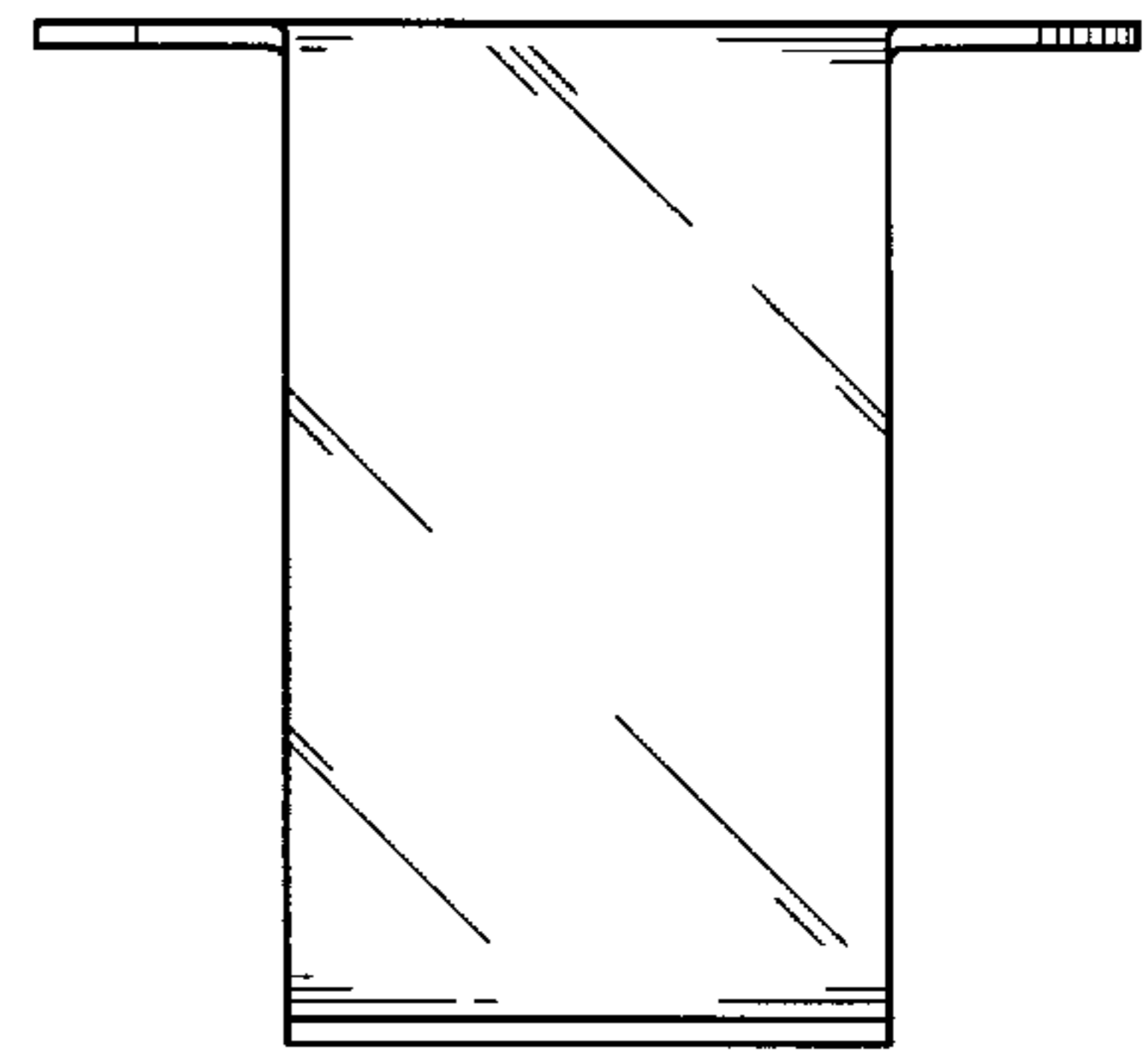
*Fig. 1*



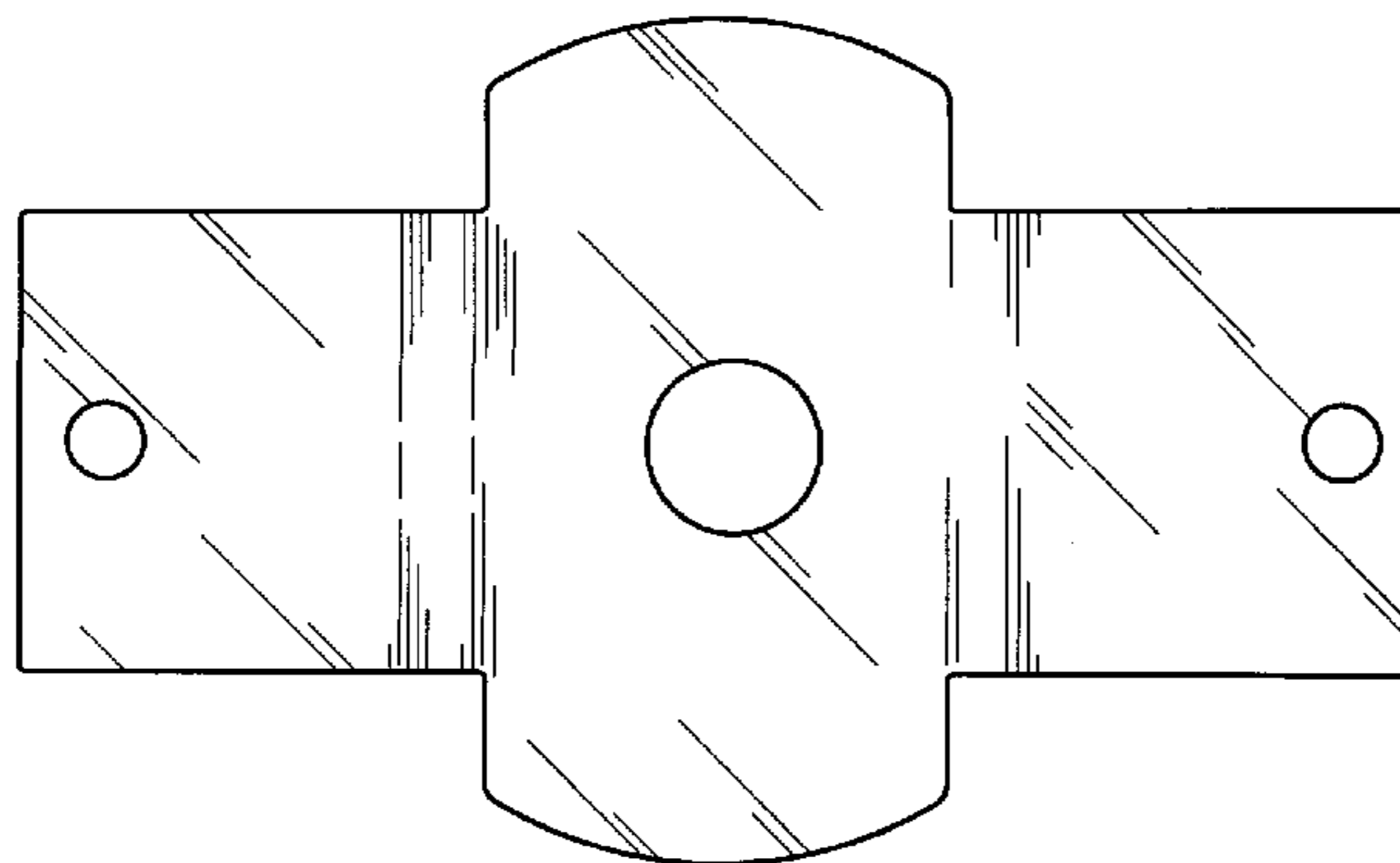
*Fig. 2*



*Fig. 3*



*Fig. 4*



*Fig. 5*