



US00D425400S

United States Patent [19]

Geringer et al.

[11] Patent Number: **Des. 425,400**

[45] Date of Patent: **** May 23, 2000**

[54] **KEY**
[75] Inventors: **Joseph Robert Geringer**, Melrose;
Roy Alden Thompson, Mattapan, both
of Mass.

2,714,304 8/1955 Dedda 70/406
4,519,226 5/1985 Hadaway 70/48
5,009,087 4/1991 Long 70/49
5,548,981 8/1996 Kirk 70/58
5,713,224 2/1998 Liou 70/34

[73] Assignee: **Master Lock Company**, Milwaukee,
Wis.

OTHER PUBLICATIONS

Ilco S1186TS-P—Ford, Ilco Catalog, Aug. 15, 1995.

[**] Term: **14 Years**

Primary Examiner—Susan J. Lucas
Assistant Examiner—James Rivard
Attorney, Agent, or Firm—Pennie & Edmonds LLP

[21] Appl. No.: **29/099,567**

[22] Filed: **Jan. 22, 1999**

[57] CLAIM

[51] **LOC (7) Cl.** **08-07**

The ornamental design for a key, as shown and described.

[52] **U.S. Cl.** **D8/347**

DESCRIPTION

[58] **Field of Search** D8/347; 70/393,
70/402, 405, 406, 407, 408

FIG. 1 is a front-right perspective view of a key showing our new design;

[56] References Cited

U.S. PATENT DOCUMENTS

D. 353,760 12/1994 Eizen D8/347
536,196 3/1895 Edgar .
816,492 3/1906 Mohr .
823,919 6/1906 Caldwell .
952,643 3/1910 Roche .
1,490,453 4/1924 Caldwell .
2,491,337 12/1949 Segal 70/419

FIG. 2 is a bottom view thereof;

FIG. 3 is a top view thereof;

FIG. 4 is a front view thereof;

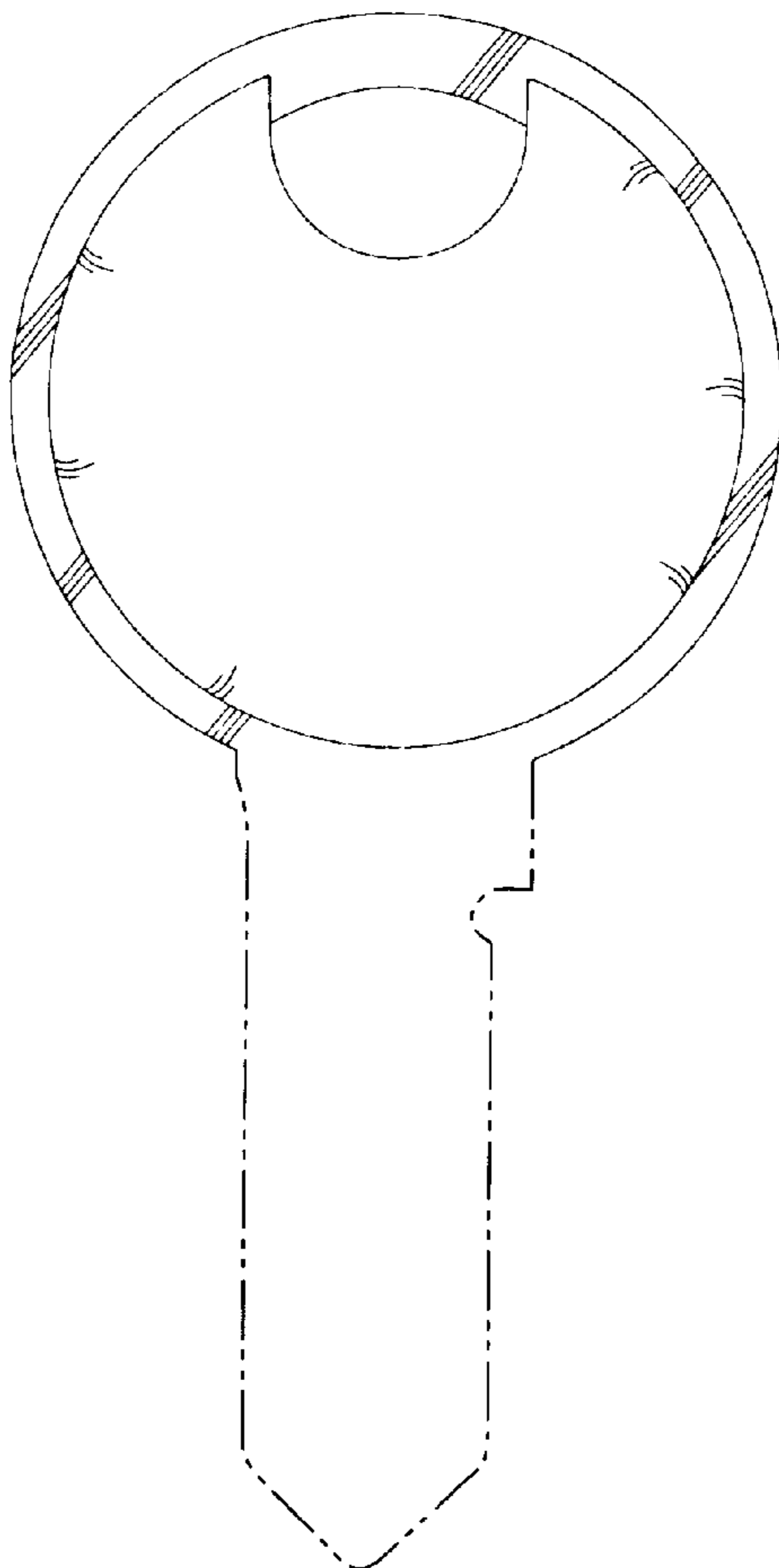
FIG. 5 is a back view thereof;

FIG. 6 is a left view thereof; and,

FIG. 7 is a right view thereof.

The portions shown in phantom lines are not part of the claimed invention, but are included to show environment.

1 Claim, 3 Drawing Sheets



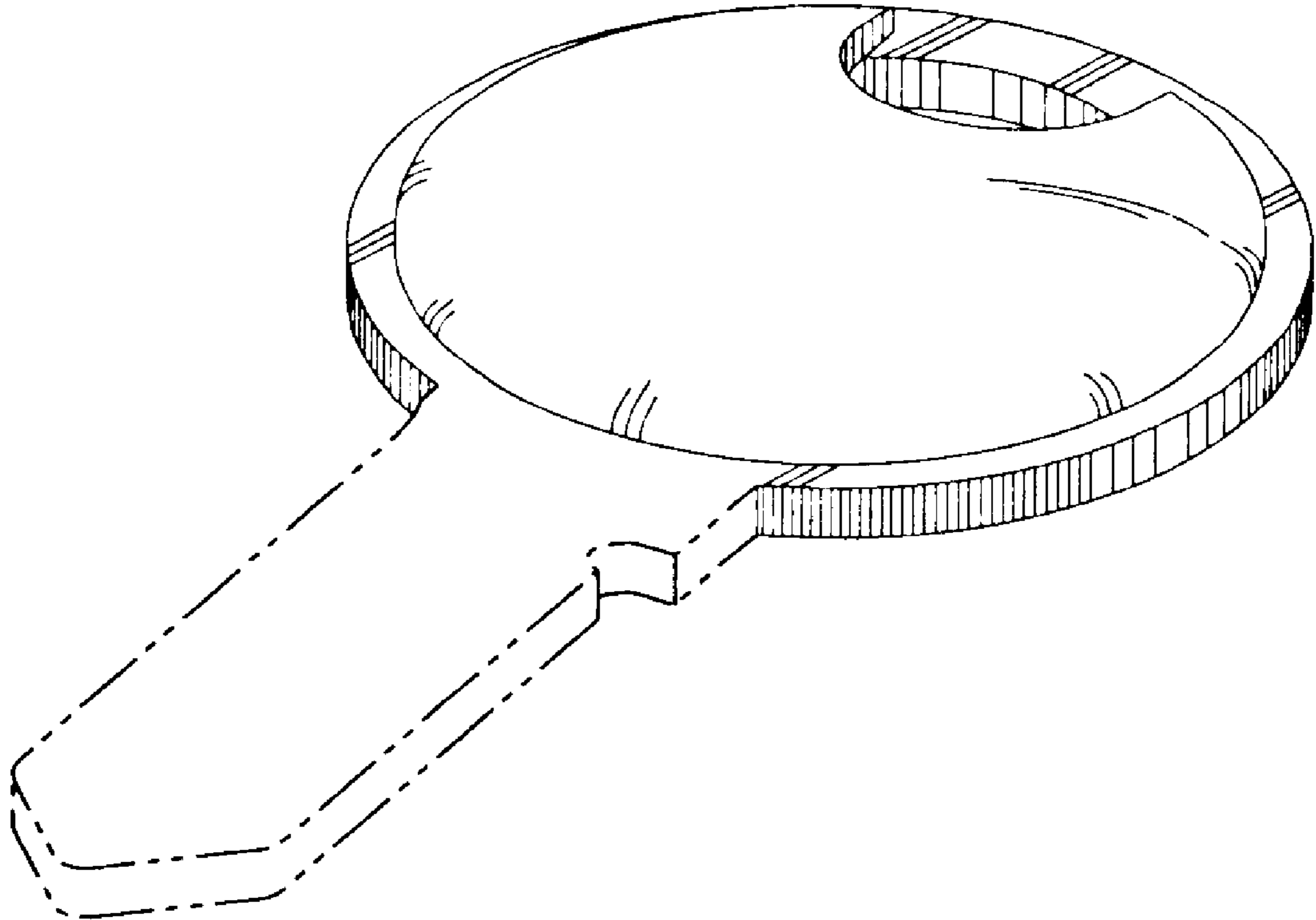


Fig. 1

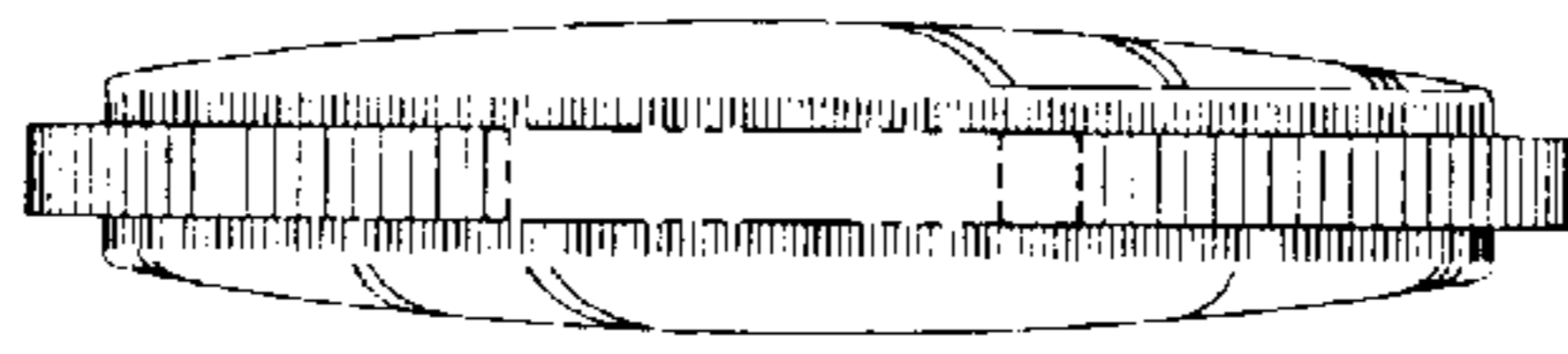


Fig. 2

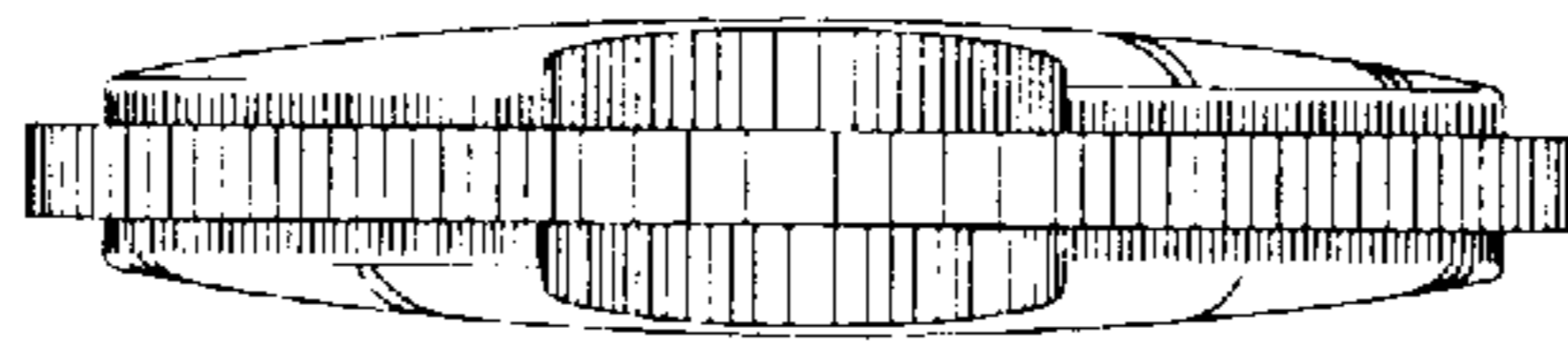


Fig. 3

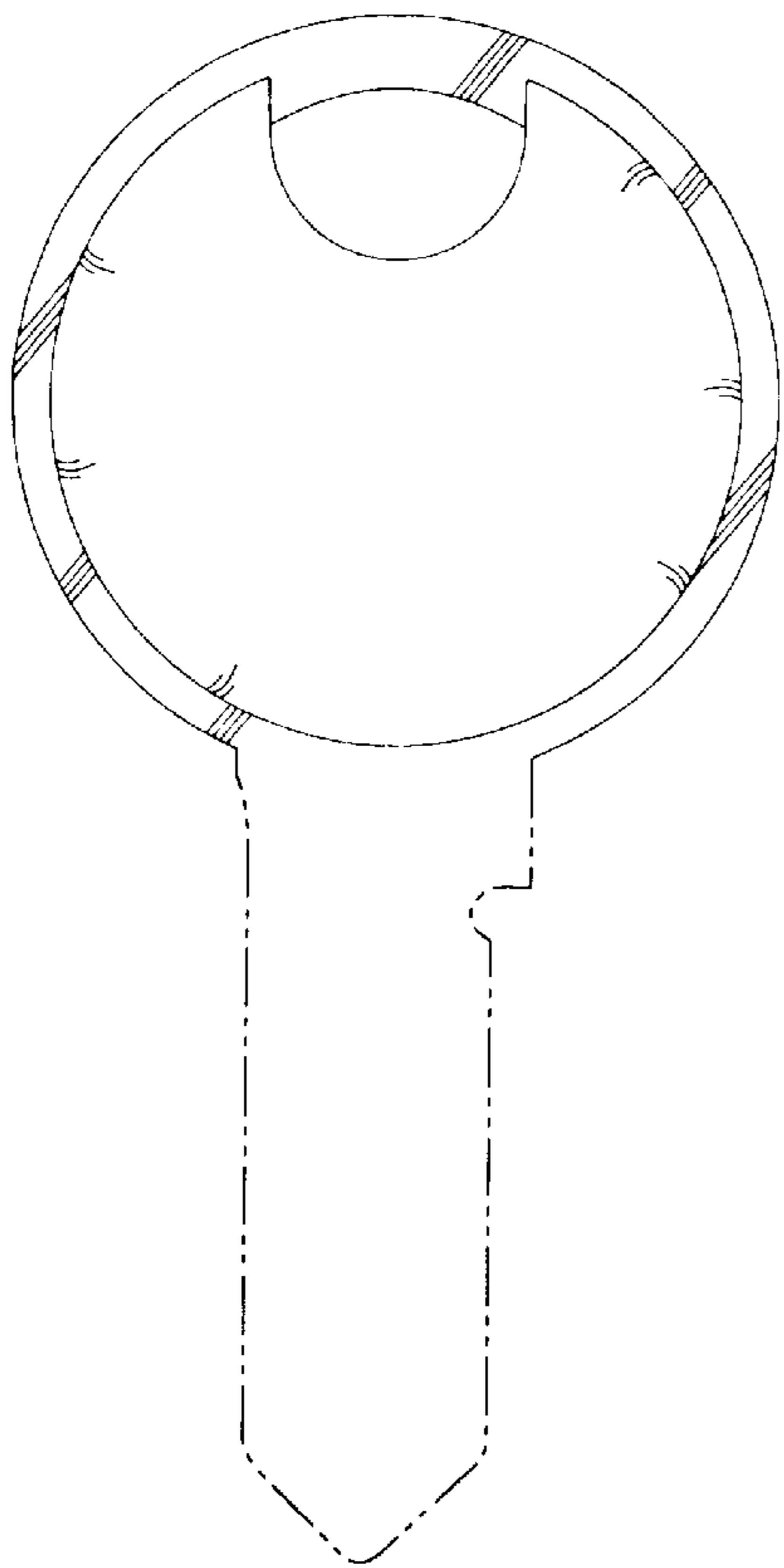


Fig. 4

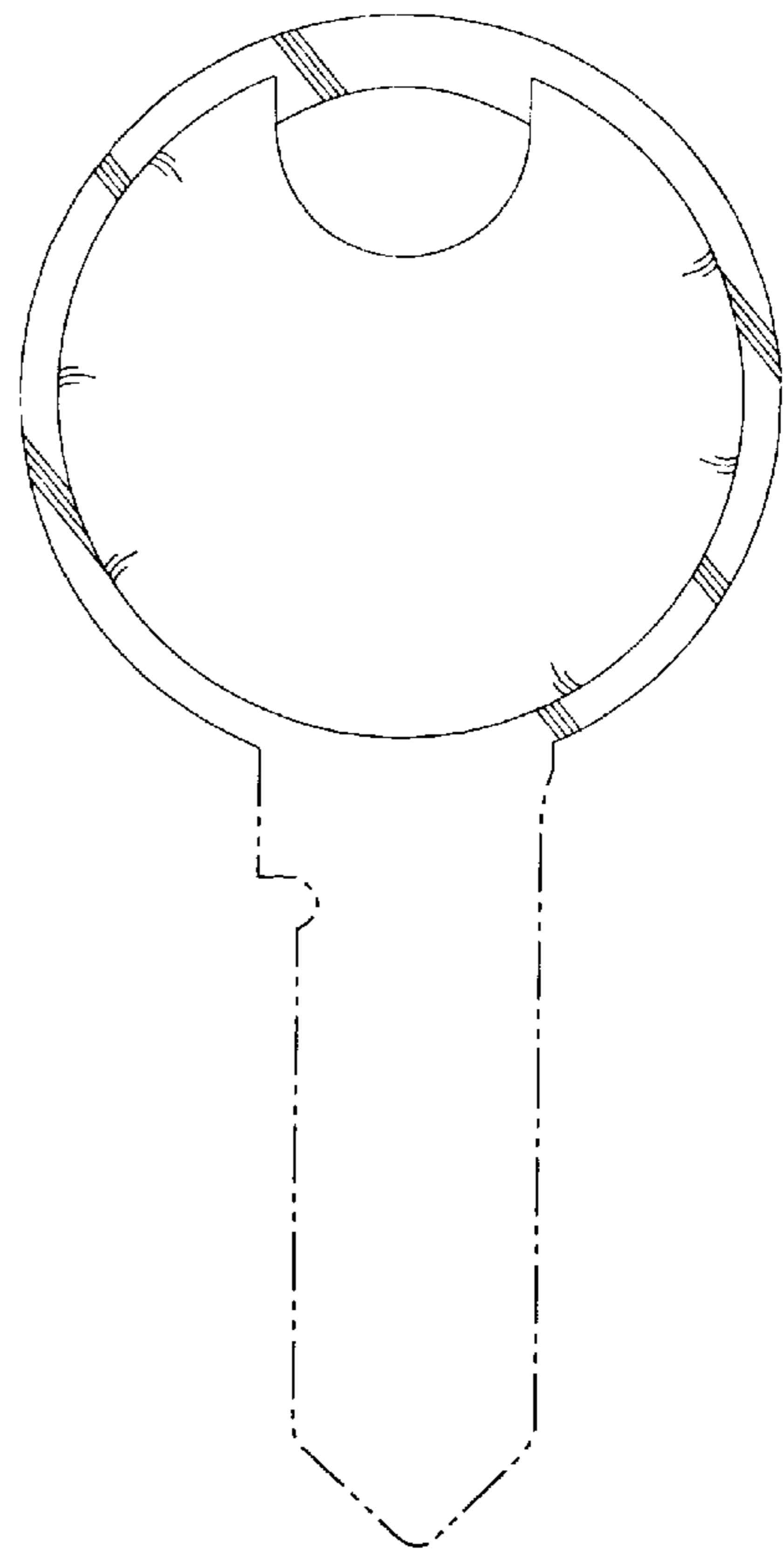


Fig. 5

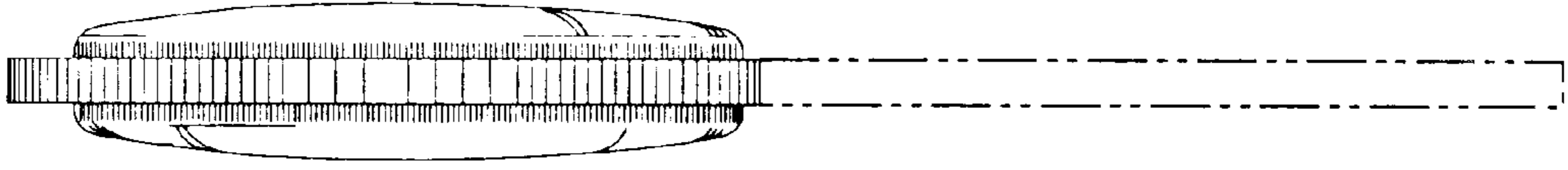


Fig. 6

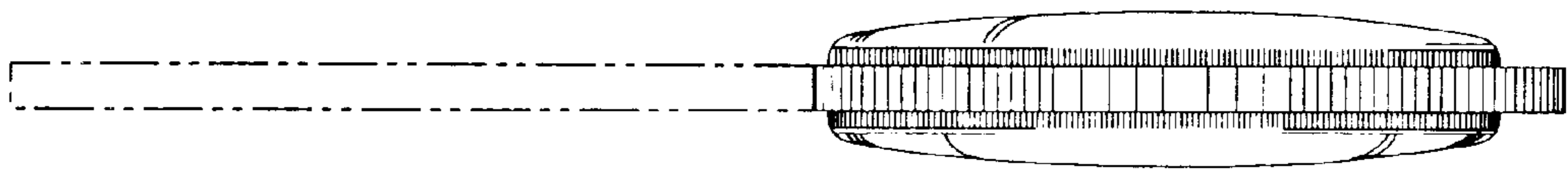


Fig. 7