



US00D425393S

United States Patent [19]

Larsen et al.

[11] Patent Number: **Des. 425,393**

[45] Date of Patent: **** May 23, 2000**

[54] **ACTUATOR FOR LATCH SYSTEM**

D. 358,974 6/1995 Gisiger D8/331
D. 358,978 6/1995 Gisiger D8/331

[75] Inventors: **Marvin L. Larsen**, New Hampton, Iowa; **Ken L. McConnell**, Warrensburg, Mo.; **Kevin P. Eschweiler**; **Theresa M. Glaser**, both of New Hampton, Iowa; **Chris J. Wildeboer**, Alta Vista, Iowa

Primary Examiner—Susan J. Lucas
Assistant Examiner—Jennifer Rivard
Attorney, Agent, or Firm—Wood, Phillips, VanSanten, Clark & Mortimer

[73] Assignee: **Tri/Mark Corporation**, New Hampton, Iowa

[57] CLAIM

[**] Term: **14 Years**

The ornamental design for an actuator for latch system, as shown and described.

[21] Appl. No.: **29/099,750**

[22] Filed: **Jan. 28, 1999**

[51] **LOC (7) Cl.** **08-06**

[52] **U.S. Cl.** **D8/302**

[58] **Field of Search** 292/336.3, 127, 292/135, 136, 109, 124, 119, 107, 357, 347, DIG. 46; D8/330, 331, 337, 338, 341, 343, 346, 342, 339, 300-302

DESCRIPTION

FIG. 1 is a front, top and left side perspective view of our actuator for latch system;
FIG. 2 is a front elevation view thereof;
FIG. 3 is a left side elevation view thereof;
FIG. 4 is a right side elevation view thereof;
FIG. 5 is a plan view thereof; and,
FIG. 6 is a bottom view thereof.

The designations top, bottom, left side and right side are arbitrary in that the actuator for latch system can be used in different orientations.

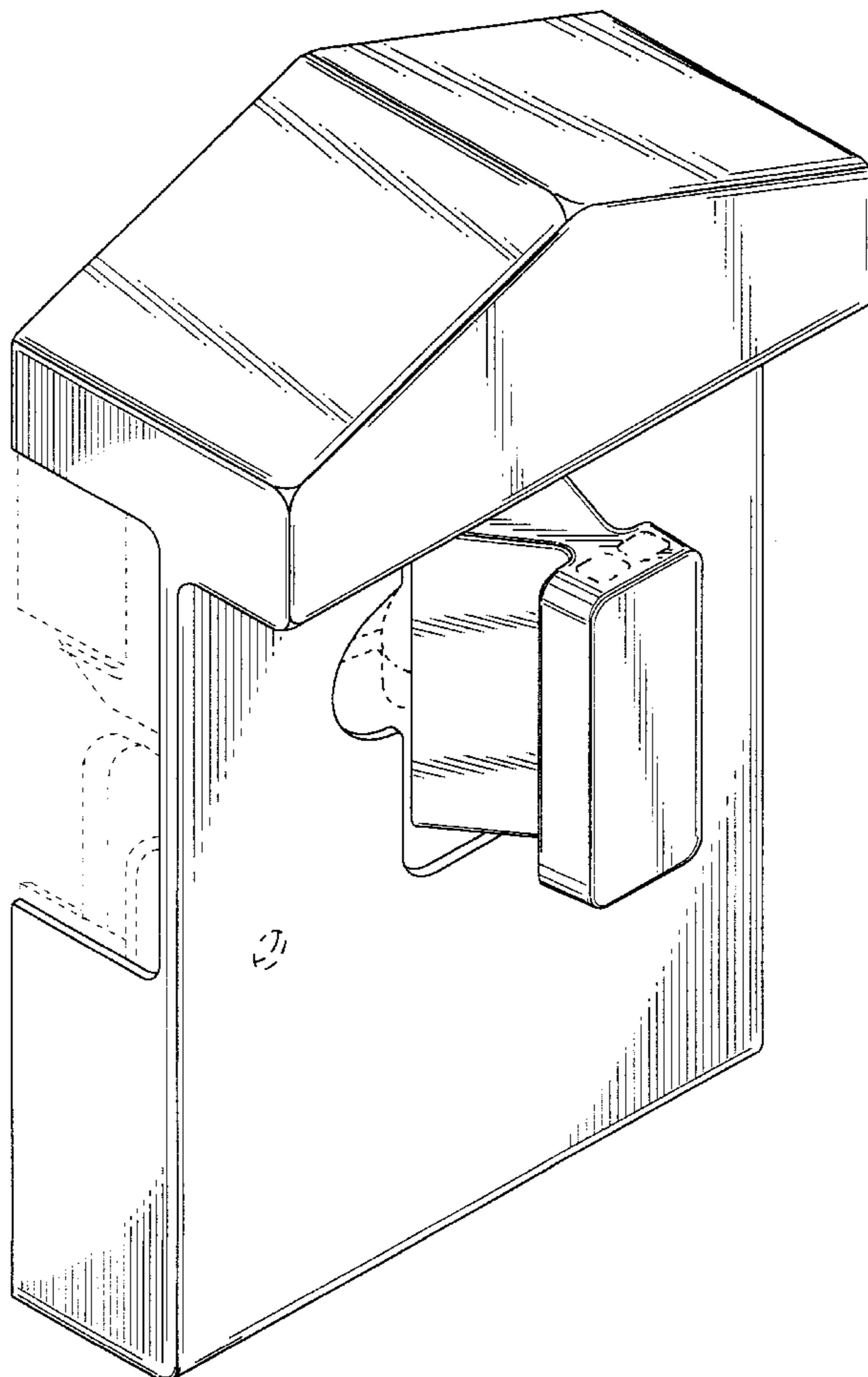
The portion of the actuator for latch system shown in dotted lines in FIGS. 1-6 does not constitute a part of the claimed design.

[56] References Cited

U.S. PATENT DOCUMENTS

D. 166,862 5/1952 Mason D8/302
D. 343,566 1/1994 Doxey D8/343

1 Claim, 4 Drawing Sheets



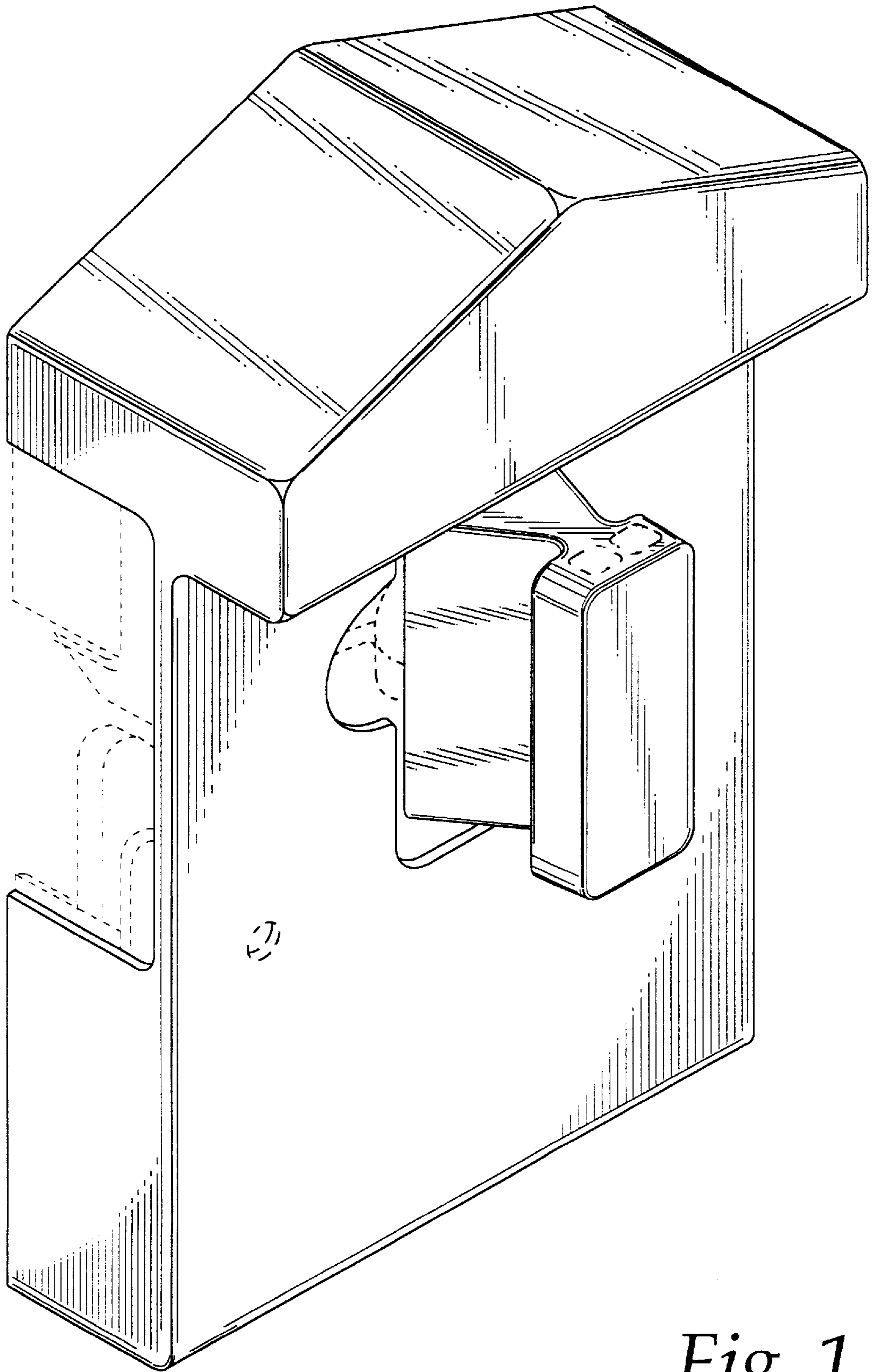


Fig. 1

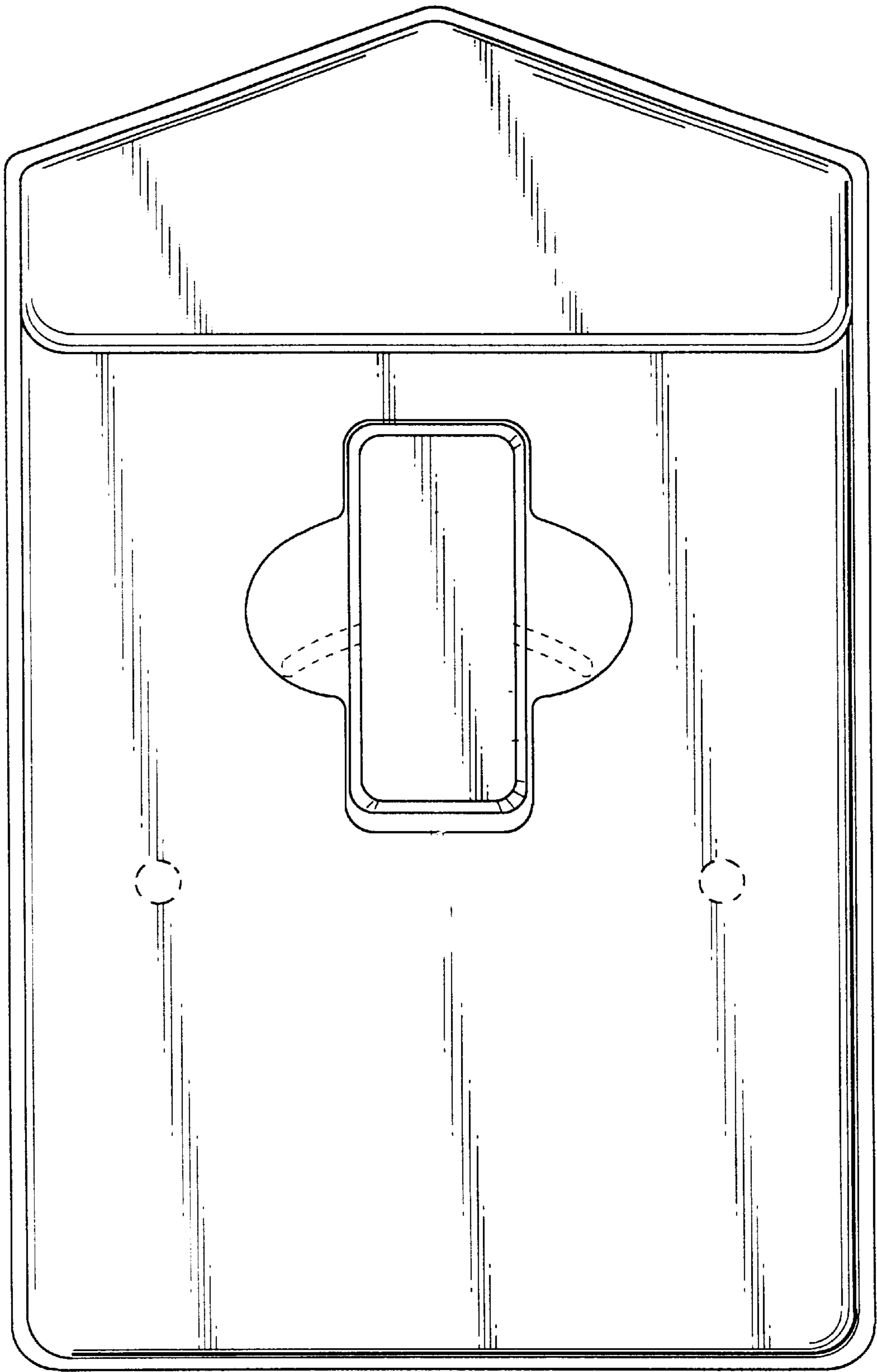


Fig. 2

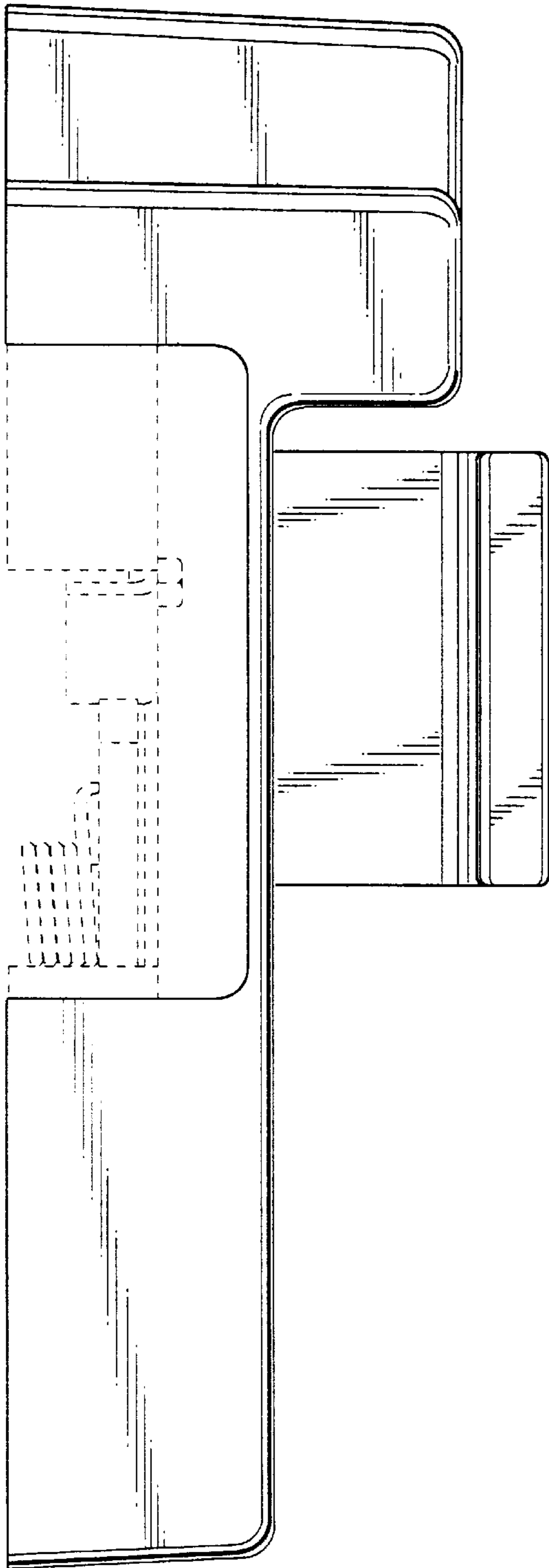


Fig. 3

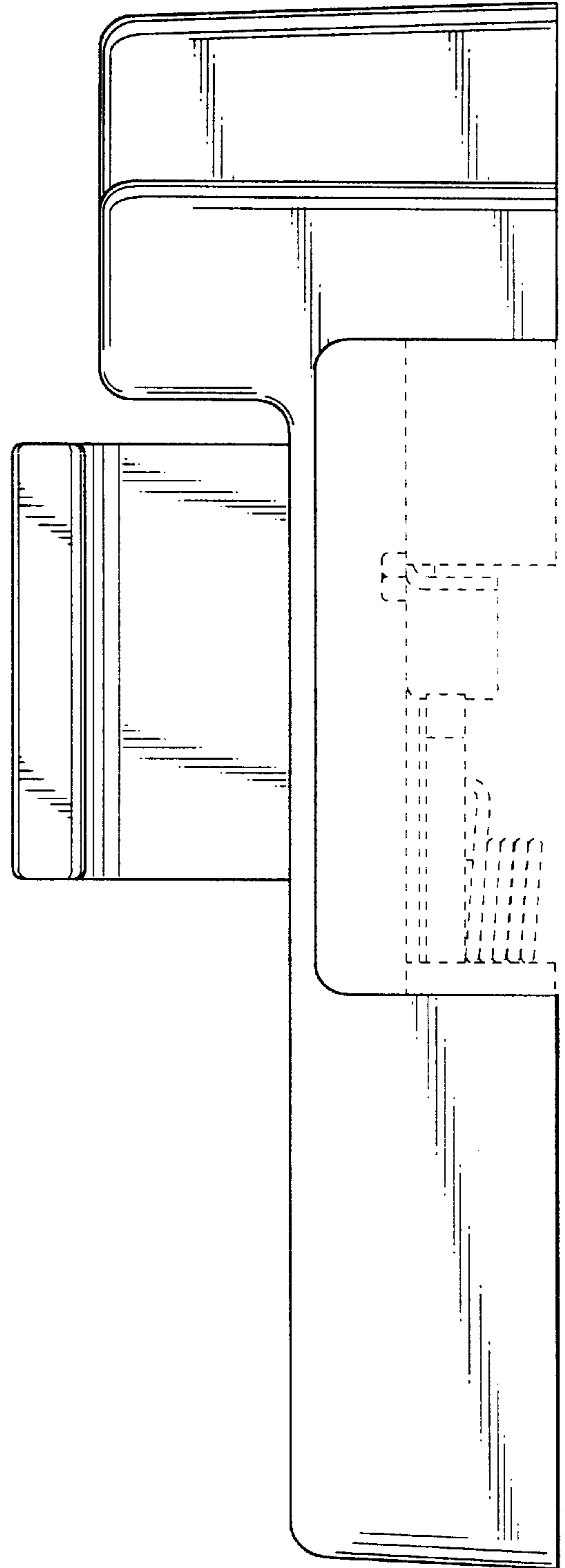


Fig. 4

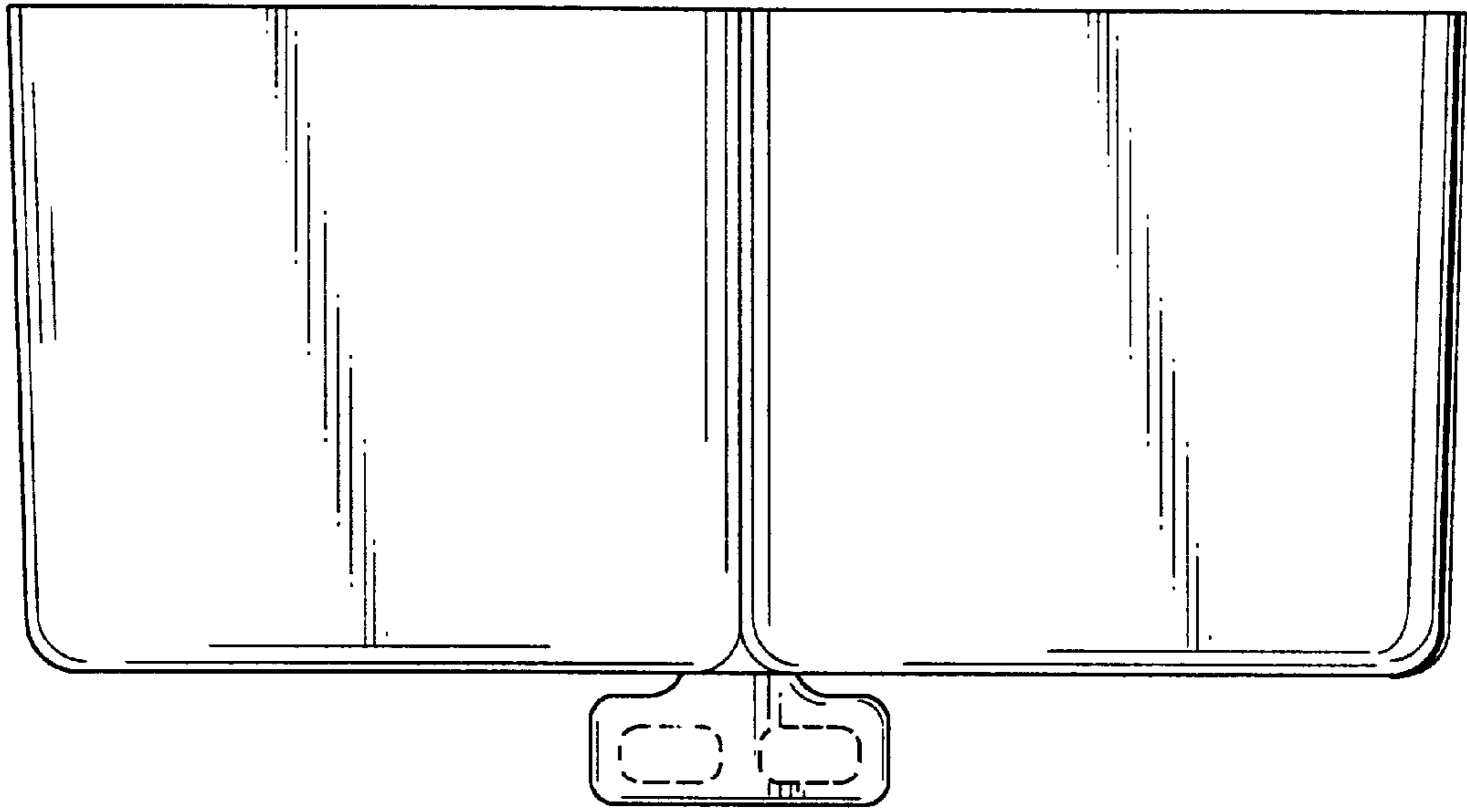


Fig. 5

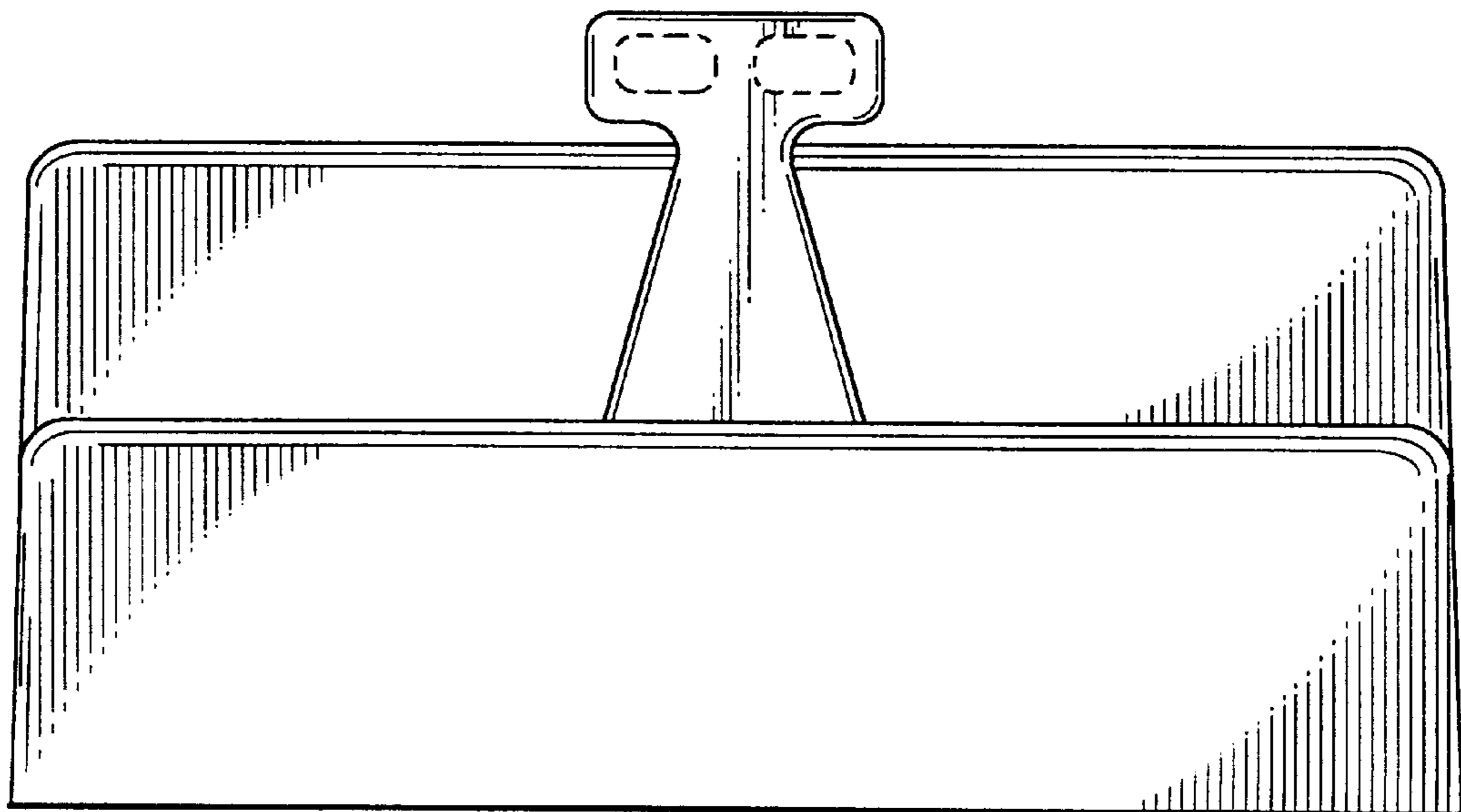


Fig. 6