



US00D425391S

United States Patent [19]
Bradichansky

[11] **Patent Number: Des. 425,391**
[45] **Date of Patent: ** May 23, 2000**

[54] **FOLDING KNIFE**

DESCRIPTION

[75] Inventor: **Eduard Bradichansky**, Kiryat Eqron
Neve Eshkol, Israel
[73] Assignee: **Spyderco, Inc**, Golden, Colo.
[**] Term: **14 Years**
[21] Appl. No.: **29/105,146**
[22] Filed: **May 19, 1999**
[51] **LOC (7) Cl.** **08-03**
[52] **U.S. Cl.** **D8/99**
[58] **Field of Search** D8/98, 99, 100;
30/151, 152, 153, 154, 155, 156, 157, 158,
159, 160, 161

FIG. 1 is a front elevation view of a folding knife, showing my new design;
FIG. 2 is a top plan view of the folding knife illustrated in FIG. 1;
FIG. 3 is a rear elevation view of the folding knife illustrated in FIG. 1;
FIG. 4 is a bottom plan view of the folding knife illustrated in FIG. 1;
FIG. 5 is a right end view of the folding knife illustrated in FIG. 1;
FIG. 6 is a left end view of the folding knife illustrated in FIG. 1.
FIG. 7 is a front elevational view of the folding knife, wherein the blade is in a closed position;
FIG. 8 is a top plan view of the folding knife, wherein the blade is in a closed position;
FIG. 9 is a rear elevational view of the folding knife, wherein the blade is in a closed position;
FIG. 10 is a bottom plan view of the folding knife, wherein the blade is in a closed position;
FIG. 11 is a right end elevational view of the folding knife, wherein the blade is in a closed position; and,
FIG. 12 is a left end elevational view of the folding knife, wherein the blade is in a closed position.

[56] **References Cited**

U.S. PATENT DOCUMENTS

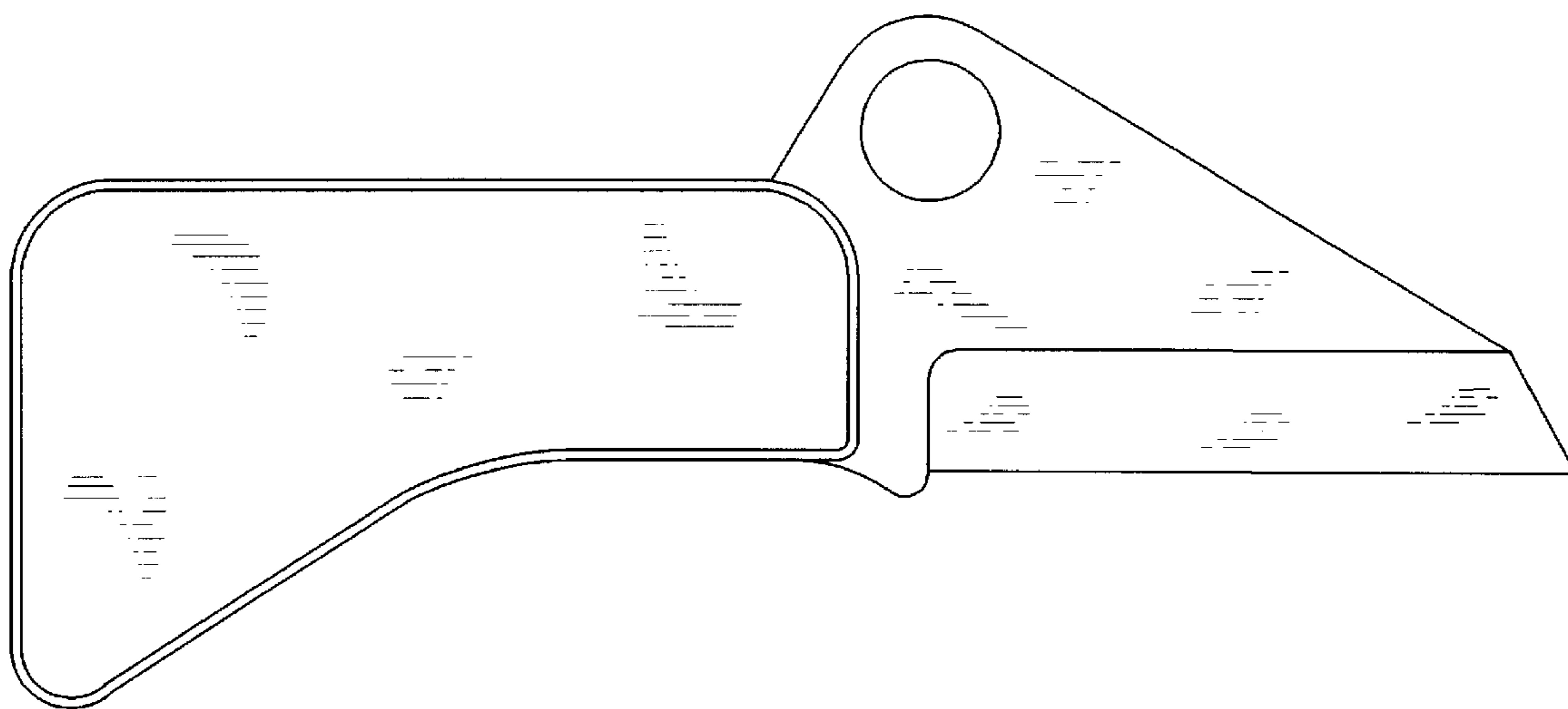
D. 237,458	11/1975	Laughlin	D8/99
D. 288,898	3/1987	Ousterhout	D8/99
D. 367,599	3/1996	Sakai	D8/99
D. 382,459	8/1997	Khalsa	D8/99
D. 405,338	2/1999	Balolia	D8/99
4,947,552	8/1990	Barnes	30/161

Primary Examiner—Philip S. Hyder
Attorney, Agent, or Firm—Sheridan Ross P.C.

[57] **CLAIM**

The ornamental design for a folding knife, as shown and described.

1 Claim, 6 Drawing Sheets



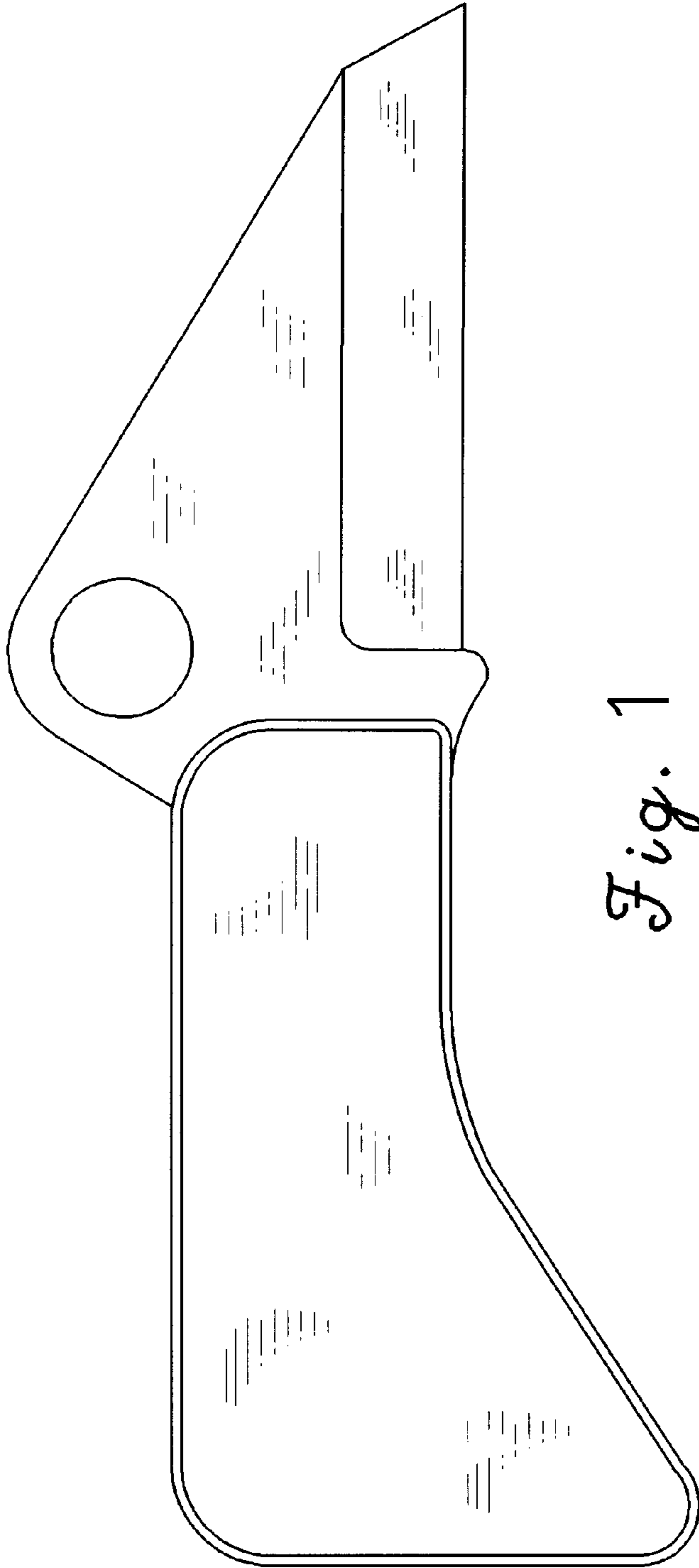


Fig. 1

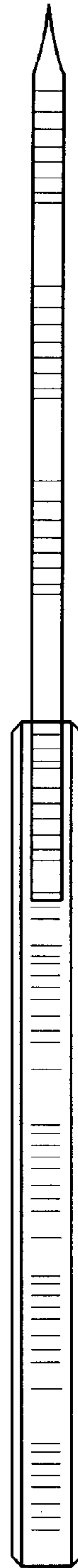


Fig. 2

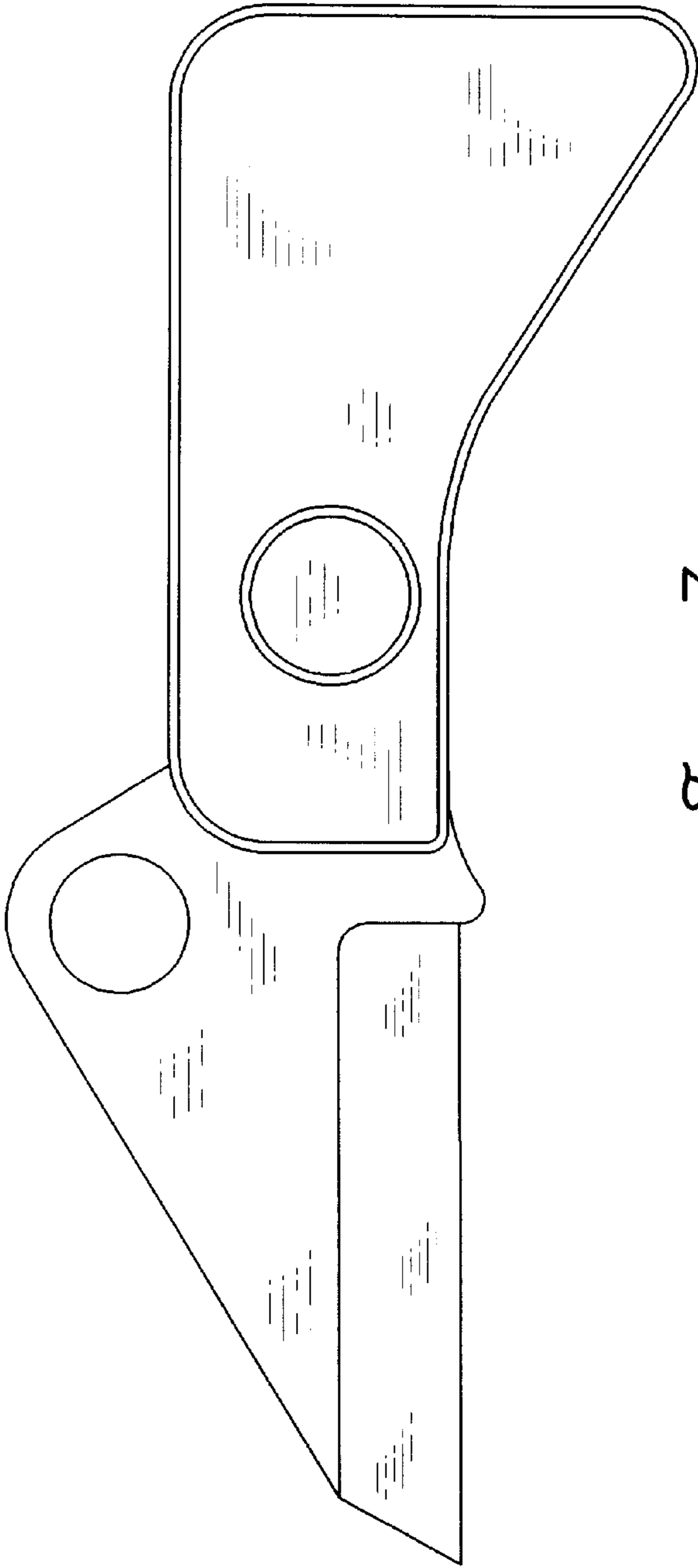


Fig. 3

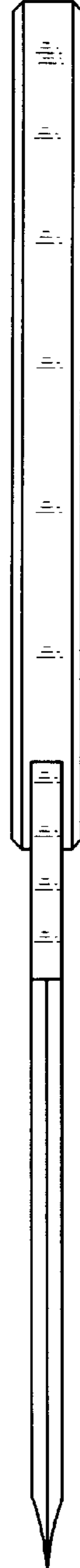


Fig. 4

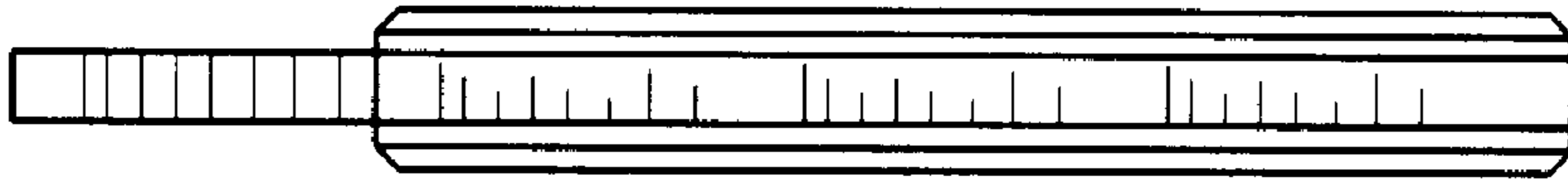


Fig. 6

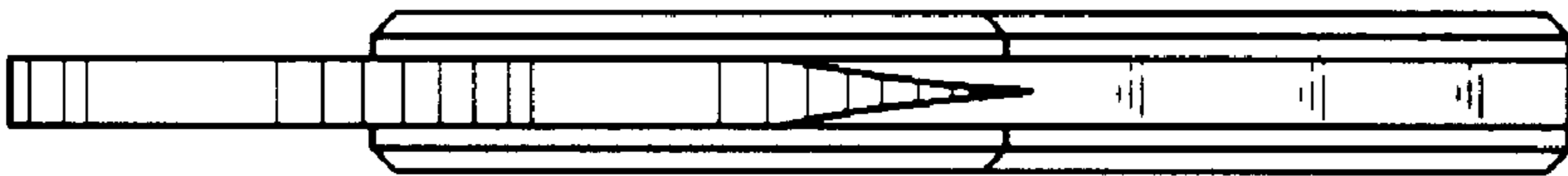


Fig. 5

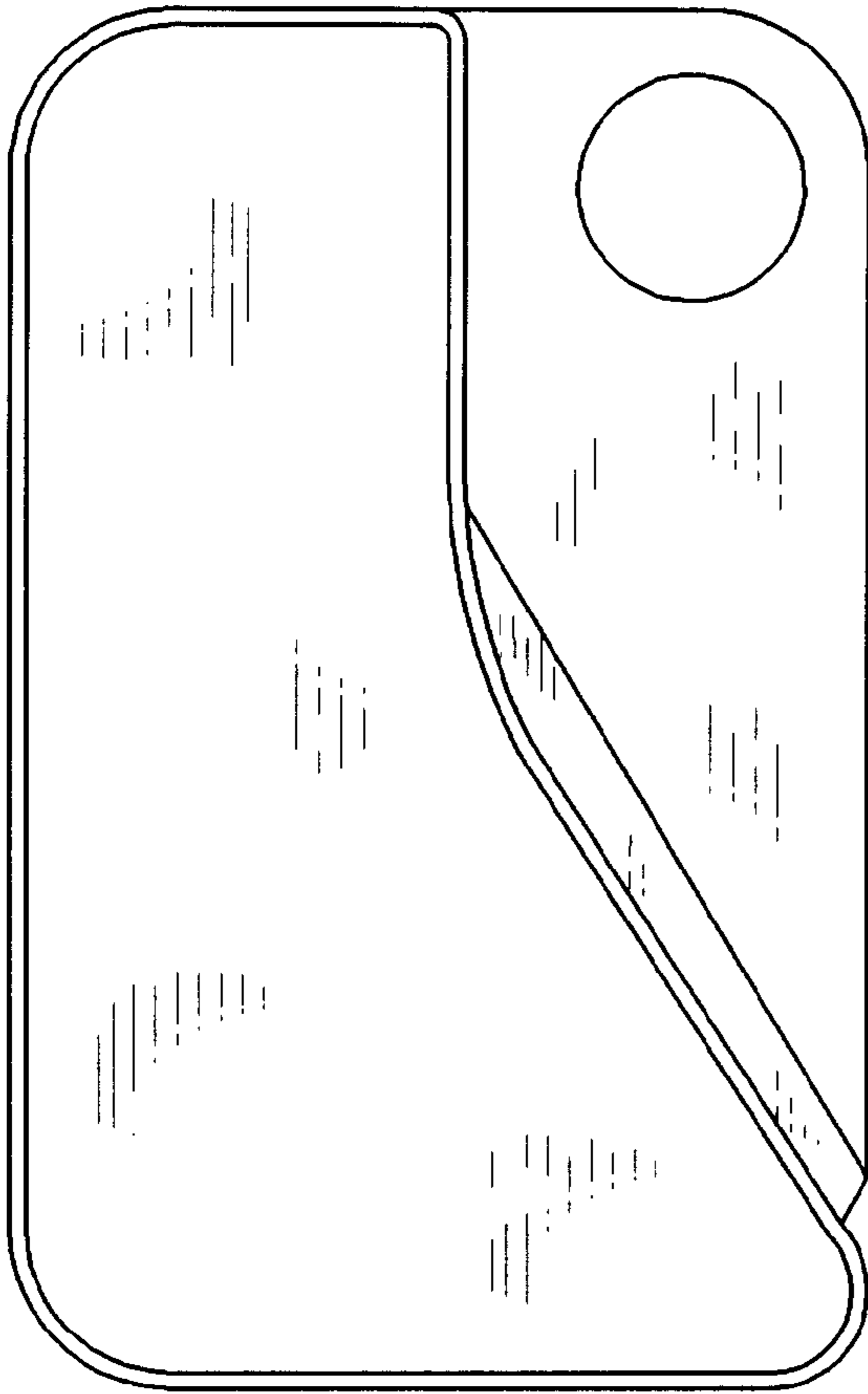


Fig. 7

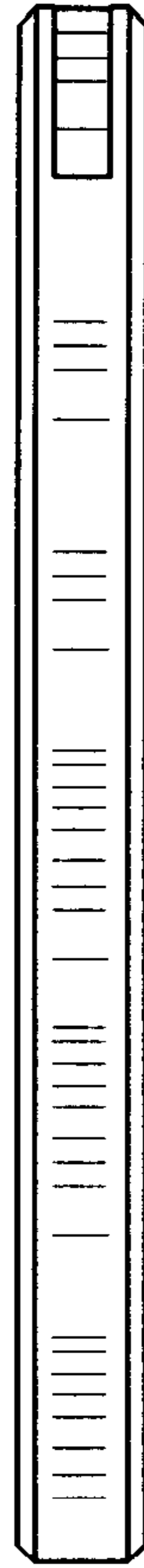


Fig. 8

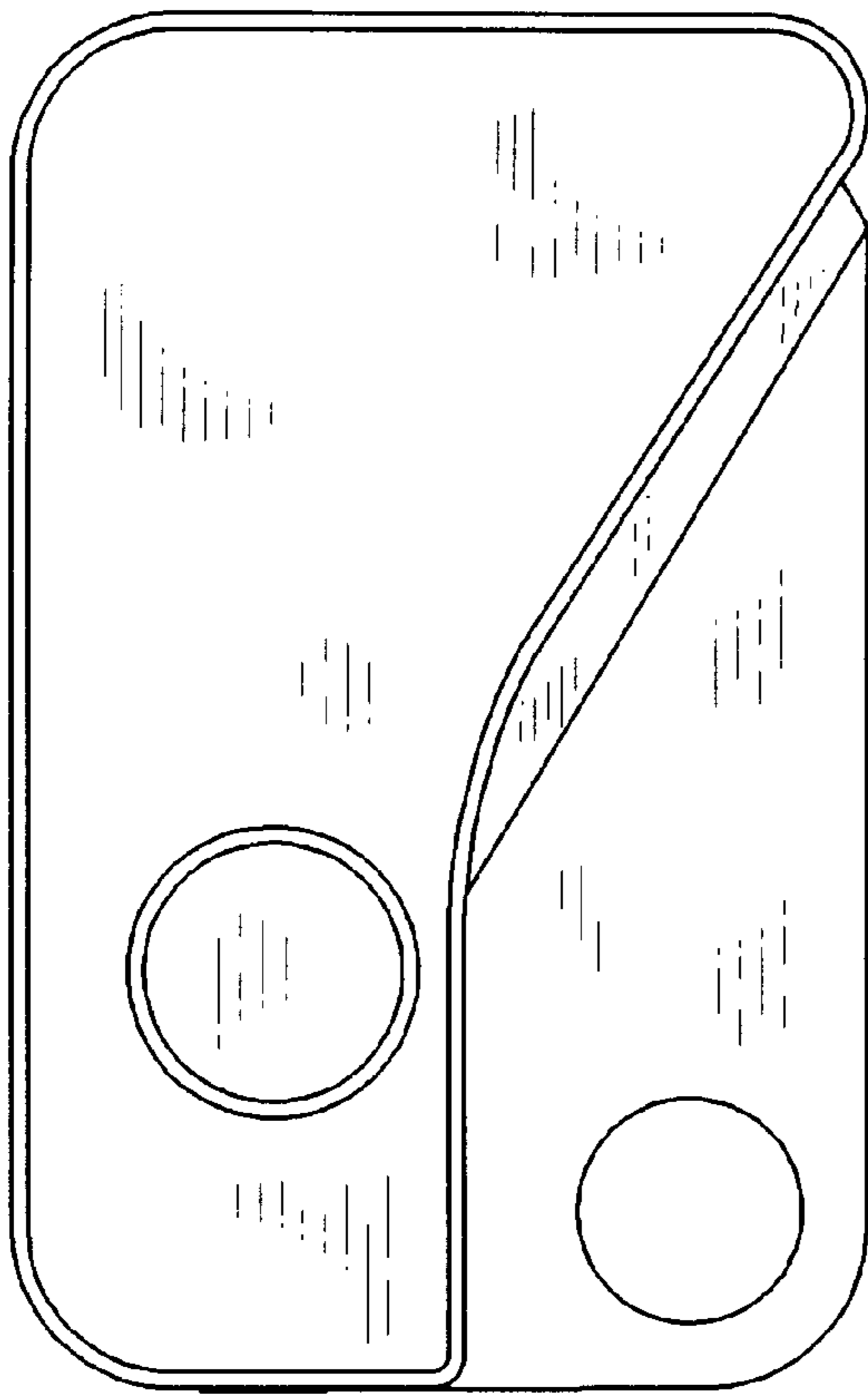


Fig. 9



Fig. 10

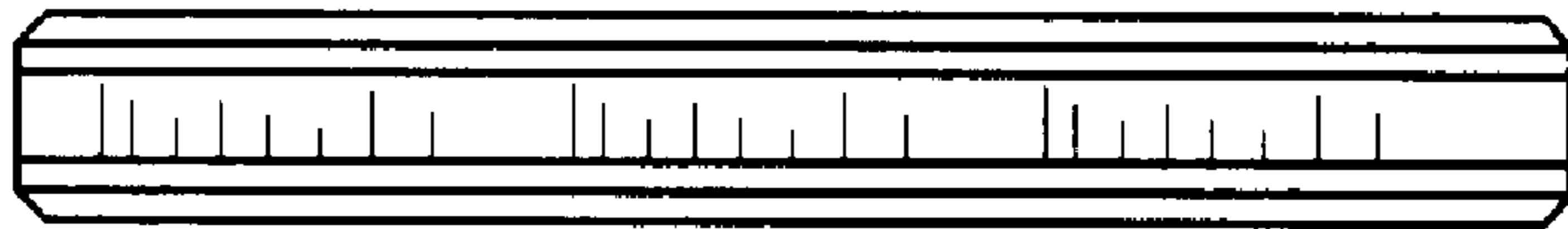


Fig. 11

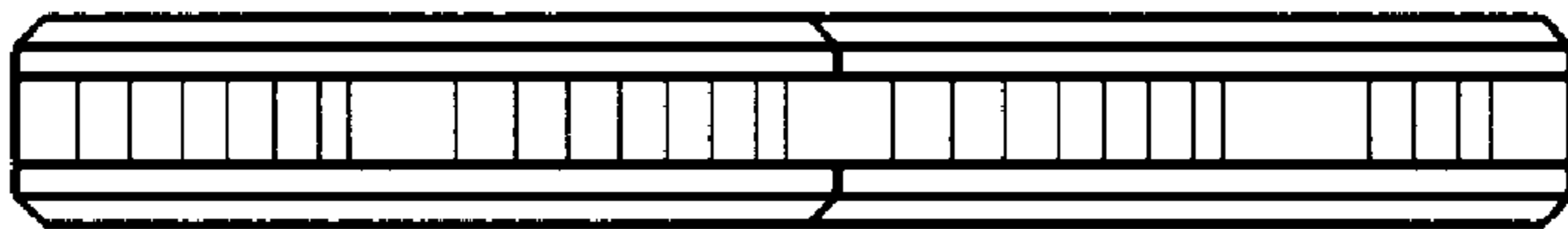


Fig. 12