



US00D425389S

United States Patent [19]
Elishewitz

[11] **Patent Number: Des. 425,389**

[45] **Date of Patent: ** May 23, 2000**

[54] **KNIFE BLADE**

[75] Inventor: **Allen Elishewitz**, Dallas, Tex.

[73] Assignee: **Mentor Group, L.L.C.**, Oregon City, Oreg.

[**] Term: **14 Years**

[21] Appl. No.: **29/106,223**

[22] Filed: **Jun. 10, 1999**

[51] **LOC (7) Cl.** **08-03**

[52] **U.S. Cl.** **D8/98; D8/20; D22/118**

[58] **Field of Search** **D8/20, 98, 99; D22/118; D7/649; 30/151, 340, 346**

[56] **References Cited**

U.S. PATENT DOCUMENTS

D. 270,655	9/1983	Collins	D8/99
D. 317,037	5/1991	Koshiishi	D22/118
D. 383,519	9/1997	Lainhart	D22/118
D. 408,706	4/1999	Elishewitz	D8/99
D. 409,070	5/1999	Elishewitz	D8/99
D. 409,269	5/1999	Carson et al.	D22/118

OTHER PUBLICATIONS

Fighting Knives magazine, p. 19, Elishewitz knife, May 1996.

Fighting Knives magazine, p. 41, Bud Nealy knives, May 1996.

Knives 94 Book by Ken Warner, Henry Heitler knife, 1994.

Primary Examiner—Philip S. Hyder
Attorney, Agent, or Firm—Chernoff, Vilhauer, McClung & Stenzel, LLP

[57] **CLAIM**

The ornamental design for a knife blade, as shown and described.

DESCRIPTION

FIG. 1 is an isometric view from the upper right front of a knife blade showing my new design, wherein the broken-line depiction of a pair of handle scales associated therewith is included merely for illustrative purposes and forms no part of the claimed design;

FIG. 2 is a right side elevational view of the knife blade shown in FIG. 1, the left side elevational view thereof being a mirror image of this view;

FIG. 3 is a top plan, or back, view of the knife blade shown in FIG. 2;

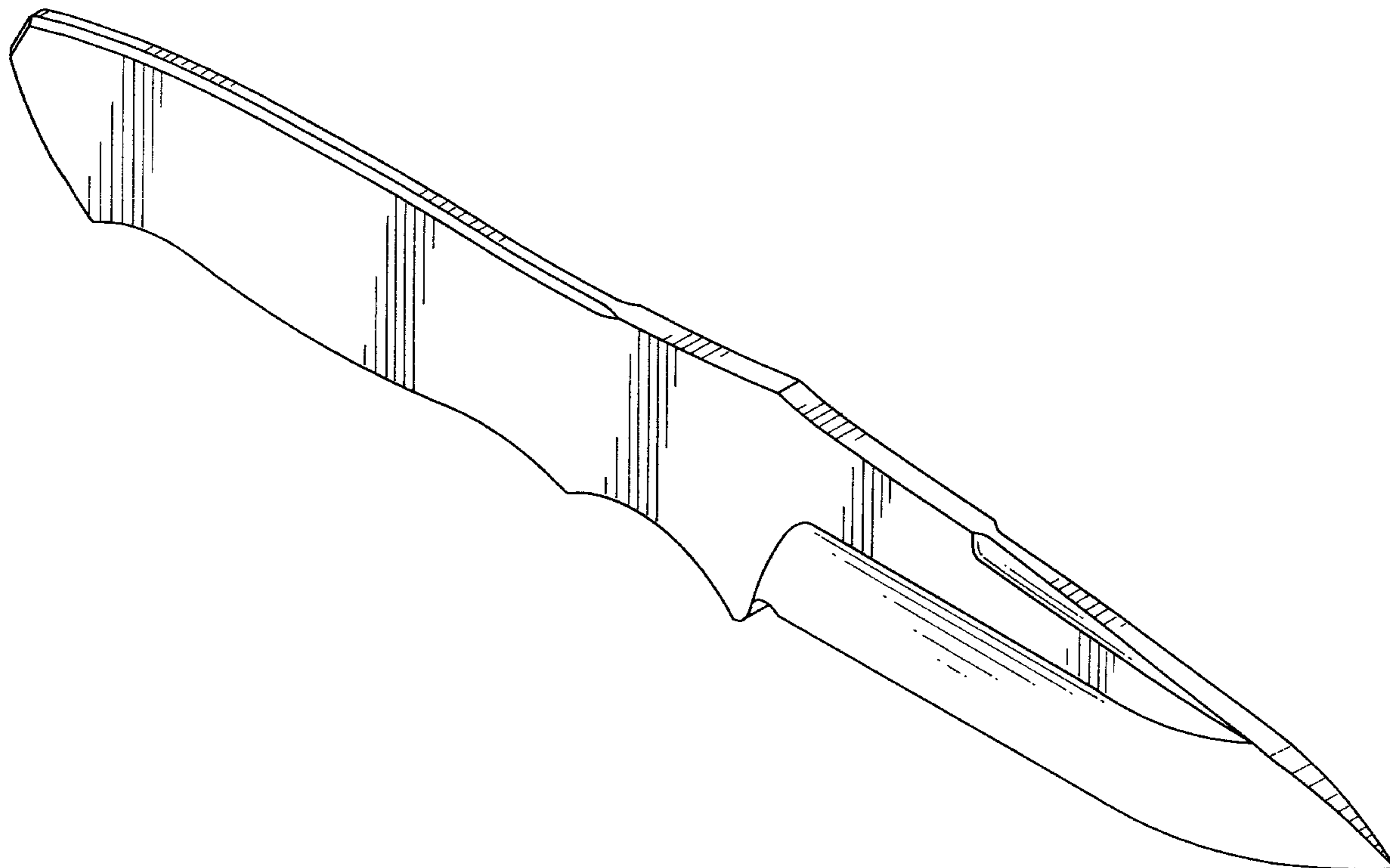
FIG. 4 is a bottom plan, or edge, view thereof;

FIG. 5 is a rear, or butt, end elevational view thereof;

FIG. 6 is a front, or blade tip, end elevational view thereof; and,

FIG. 7 is an isometric view thereof taken from the upper right front.

1 Claim, 3 Drawing Sheets



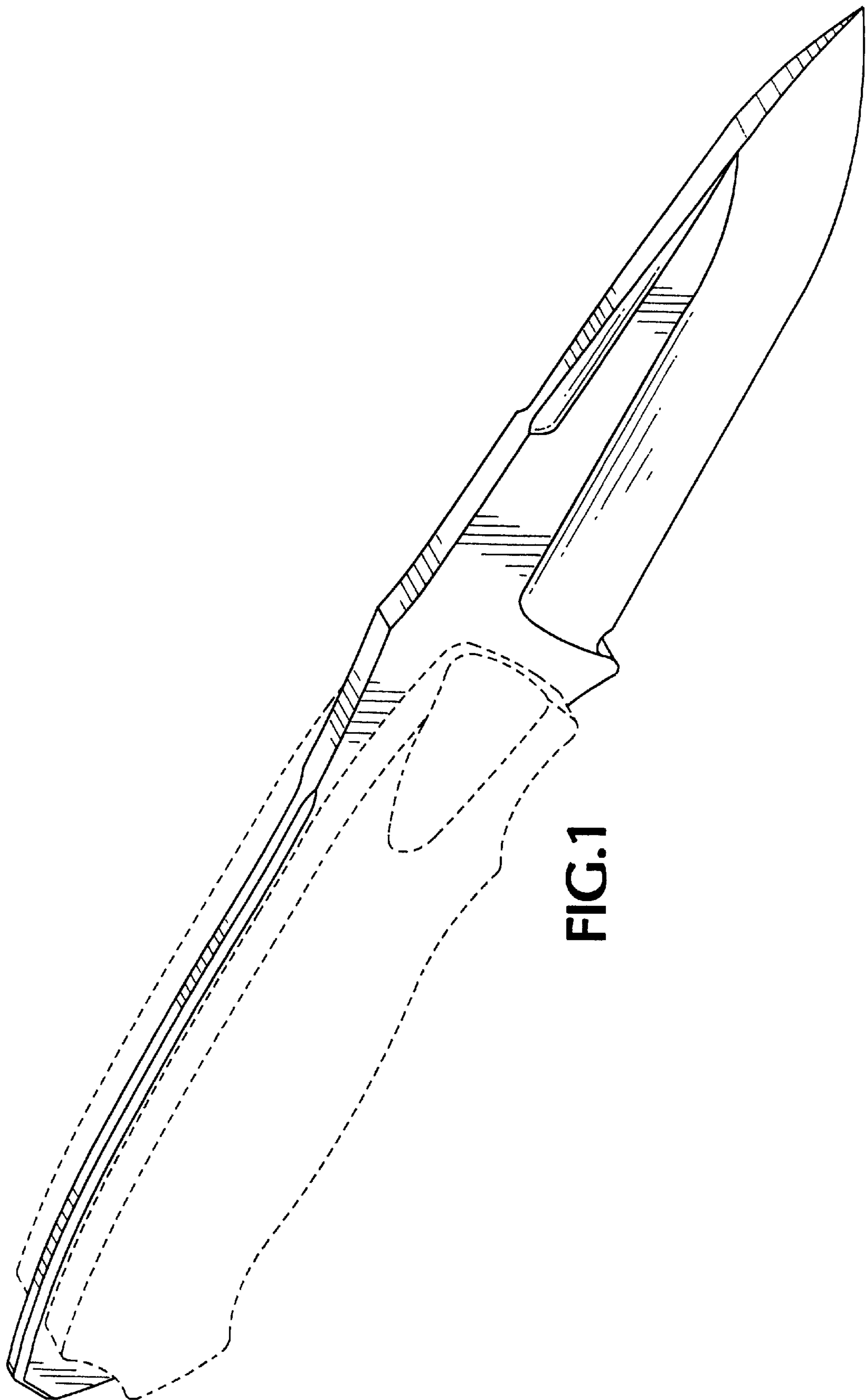


FIG.1

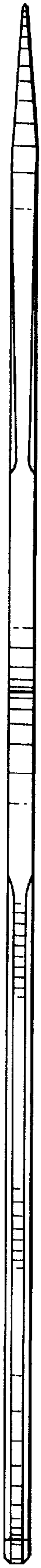


FIG. 3

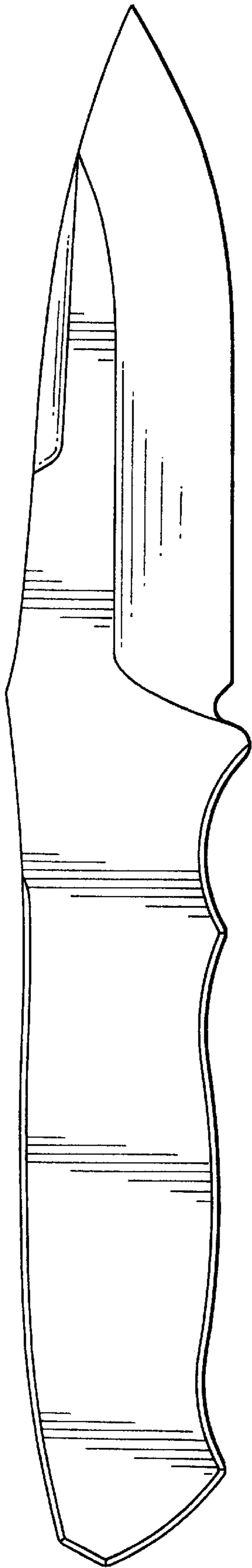


FIG. 2



FIG. 4

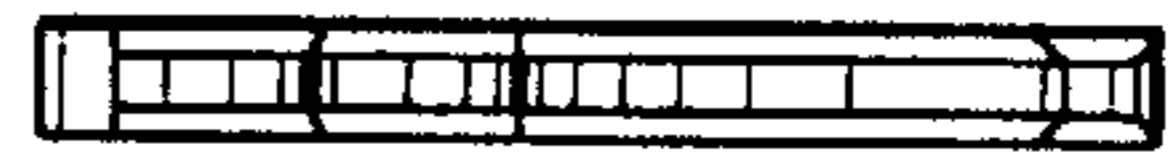


FIG. 5



FIG. 6

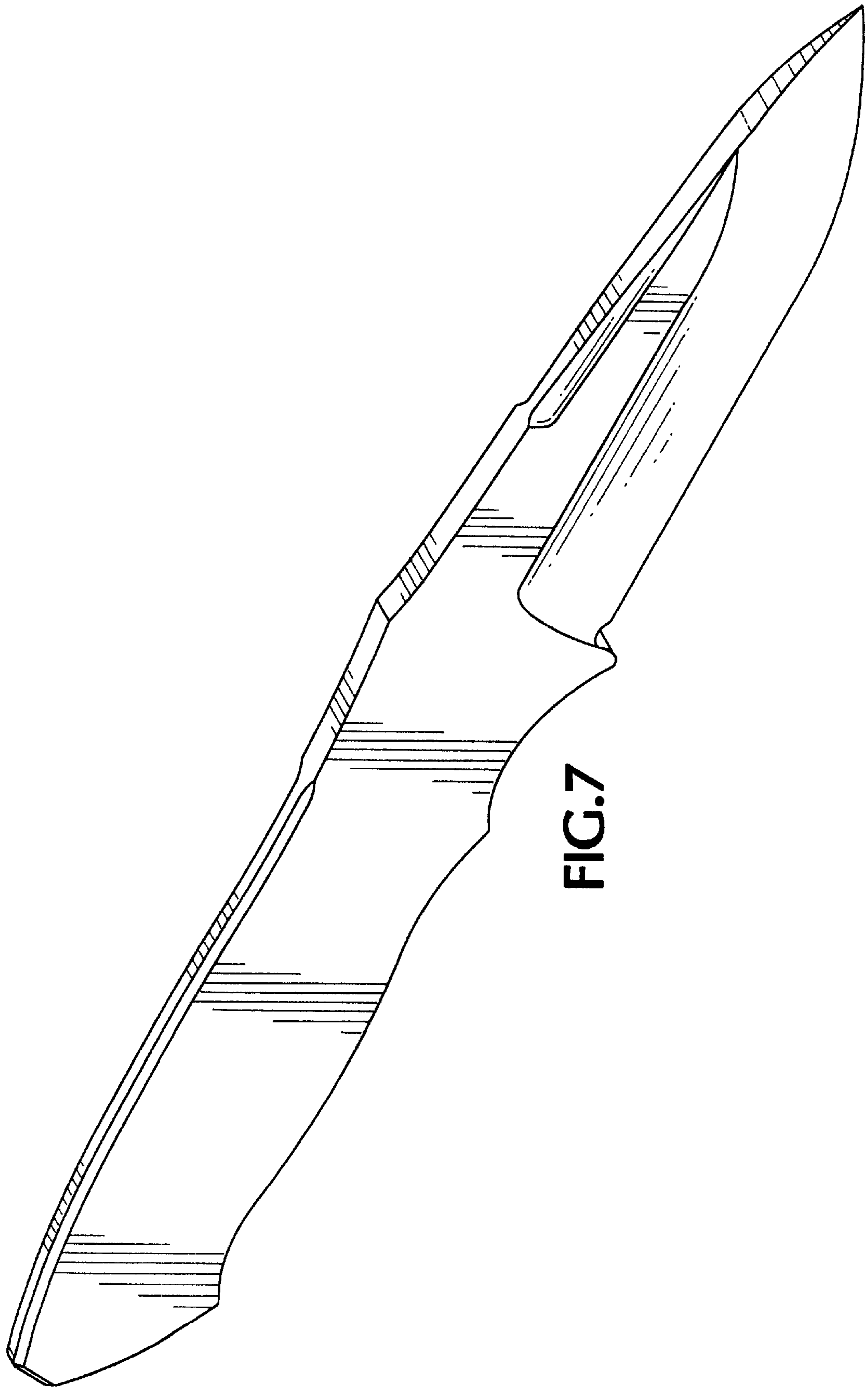


FIG. 7