



US00D425383S

United States Patent [19] Rigdon

[11] **Patent Number: Des. 425,383**

[45] **Date of Patent: ** May 23, 2000**

[54] **HOE**

[76] **Inventor: Pearlie Mae Rigdon, 3609 SW. County Rd. 344, Bell, Fla. 32619**

[**] **Term: 14 Years**

[21] **Appl. No.: 29/107,369**

[22] **Filed: Jul. 7, 1999**

[51] **LOC (7) Cl. 08-01**

[52] **U.S. Cl. D8/11**

[58] **Field of Search D8/1, 9, 11, 10, D8/13; 294/49, 50.5; 172/380, 328**

[56] **References Cited**

U.S. PATENT DOCUMENTS

D. 46,579	10/1914	Peterson	D8/11
D. 178,051	6/1956	Greiner	D8/11
D. 256,542	8/1980	Nadle	D8/13
D. 403,931	1/1999	Dickhaus	D8/13
634,393	10/1899	Compton .	
1,796,780	3/1931	Free .	

2,196,129 4/1940 Swisher .
2,266,677 12/1941 Ing .
3,985,382 10/1976 Wheeler .

FOREIGN PATENT DOCUMENTS

583609 11/1924 France .

Primary Examiner—Robin V. Taylor
Attorney, Agent, or Firm—Stephen R. Greiner

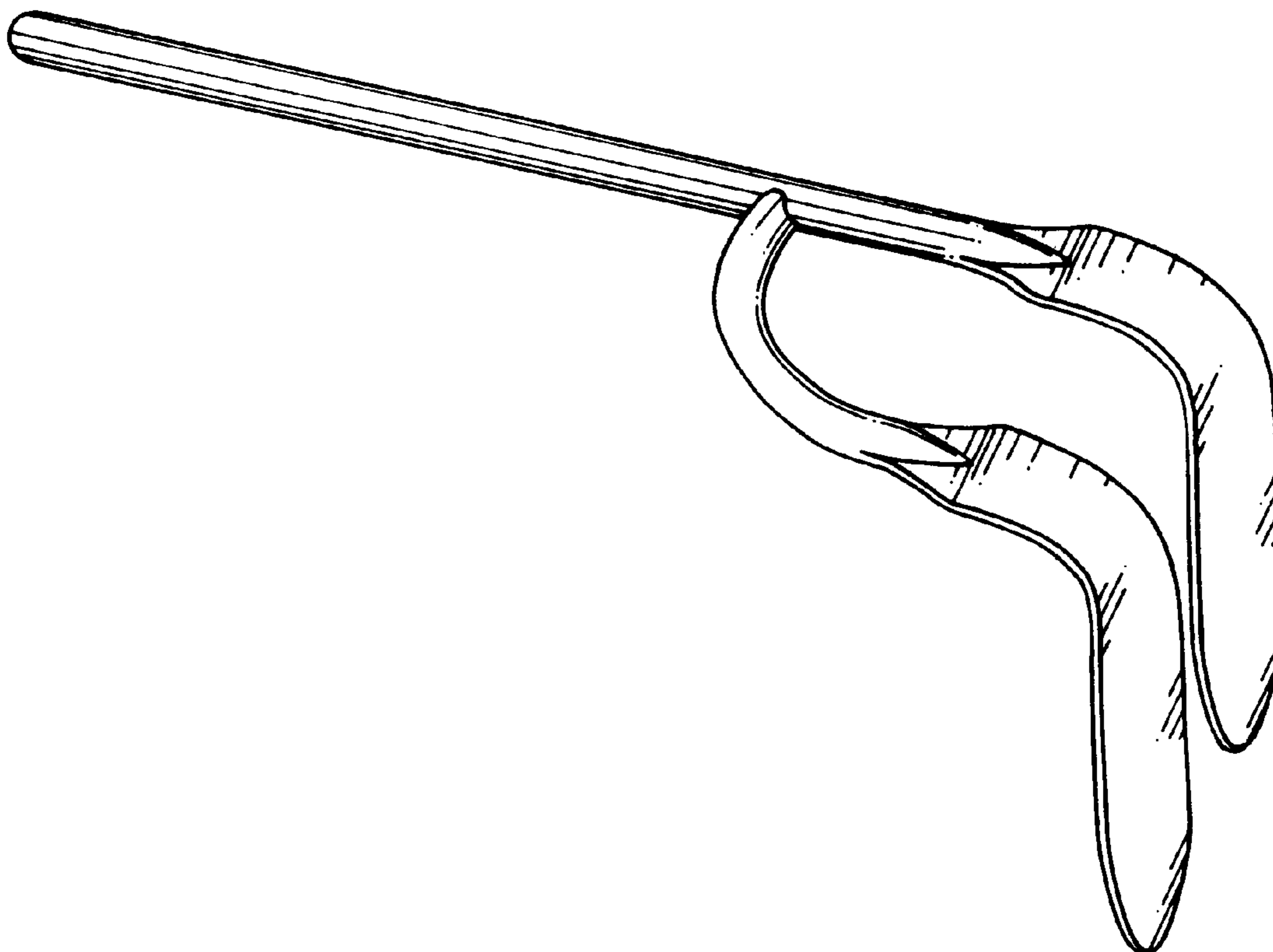
[57] **CLAIM**

The ornamental design for a hoe, as shown and described.

DESCRIPTION

FIG. 1 is a perspective view of a hoe showing my new design;
FIG. 2 is a front elevational view thereof;
FIG. 3 is a rear elevational view thereof;
FIG. 4 is a top view thereof;
FIG. 5 is a bottom view thereof;
FIG. 6 is a right side elevational view thereof; and,
FIG. 7 is a left side elevational view thereof.

1 Claim, 2 Drawing Sheets



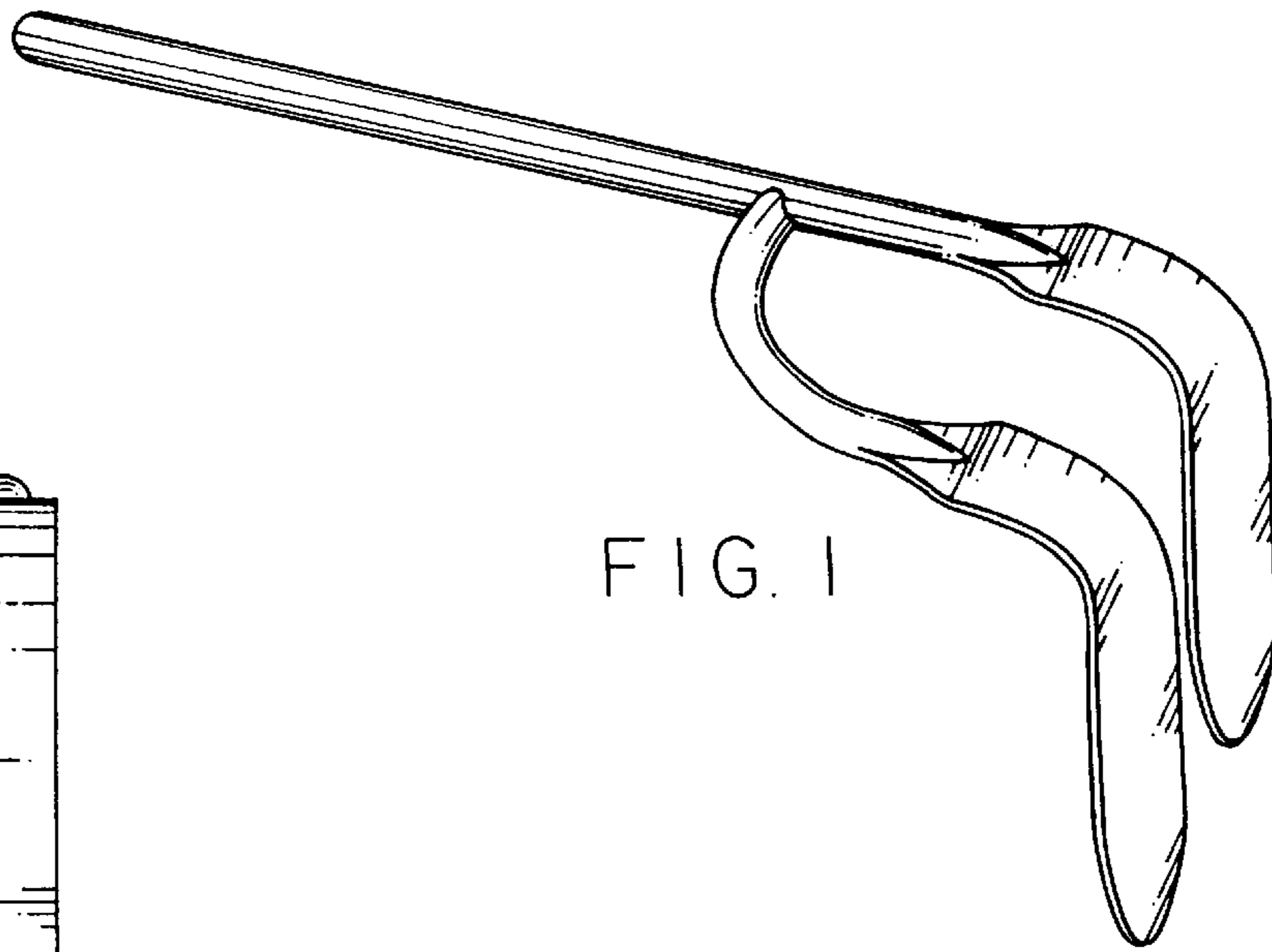


FIG. 1

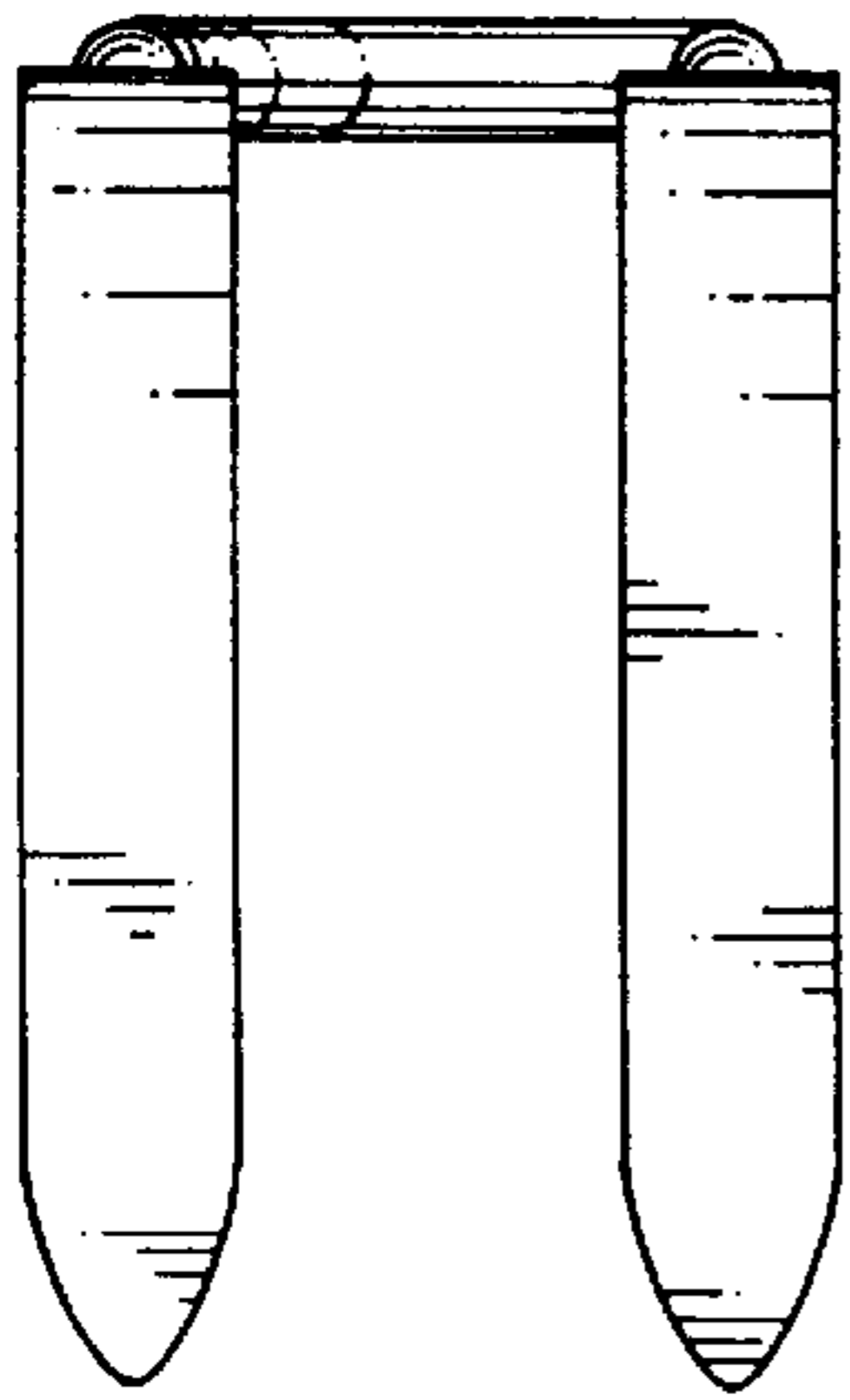


FIG. 2

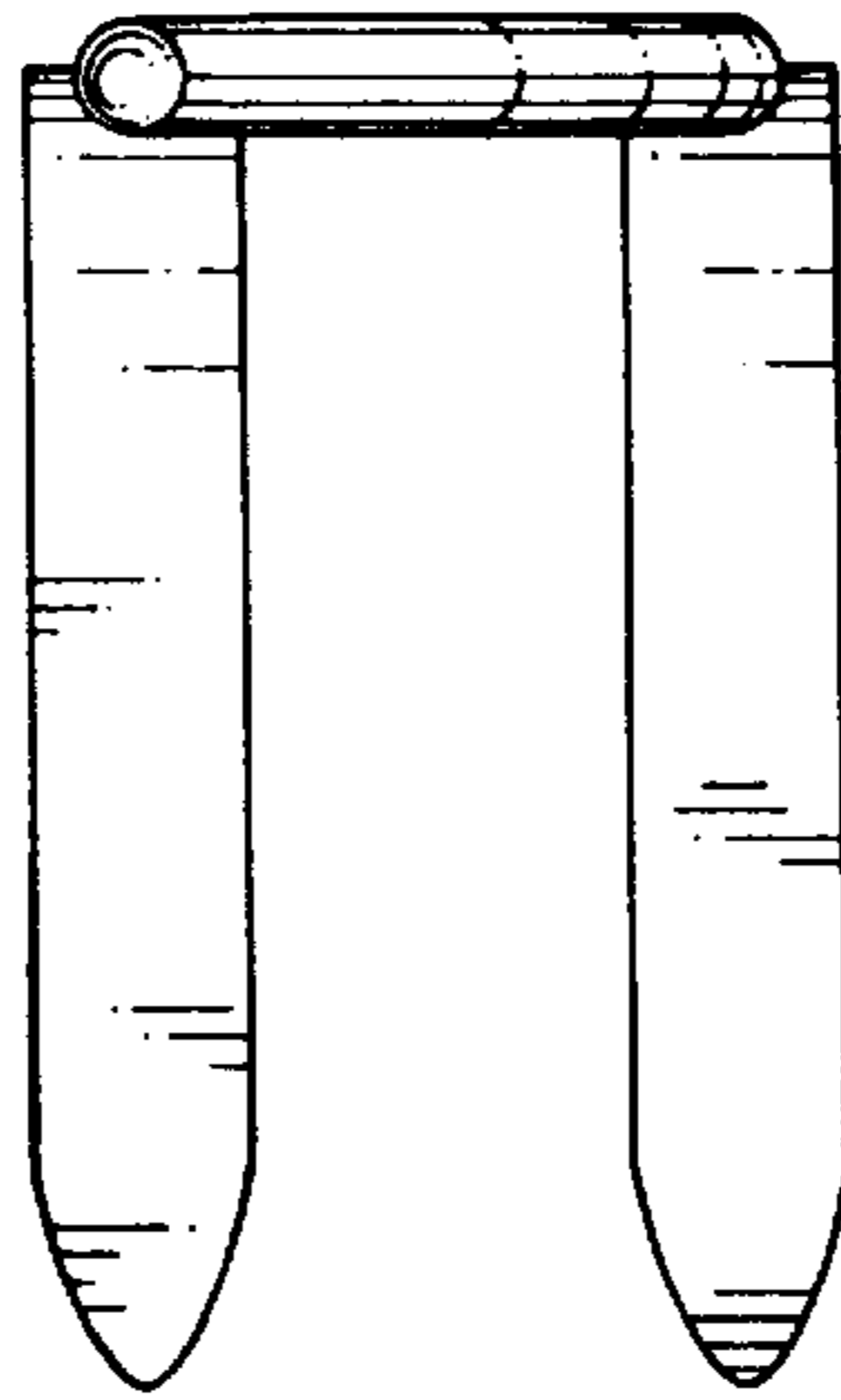


FIG. 3

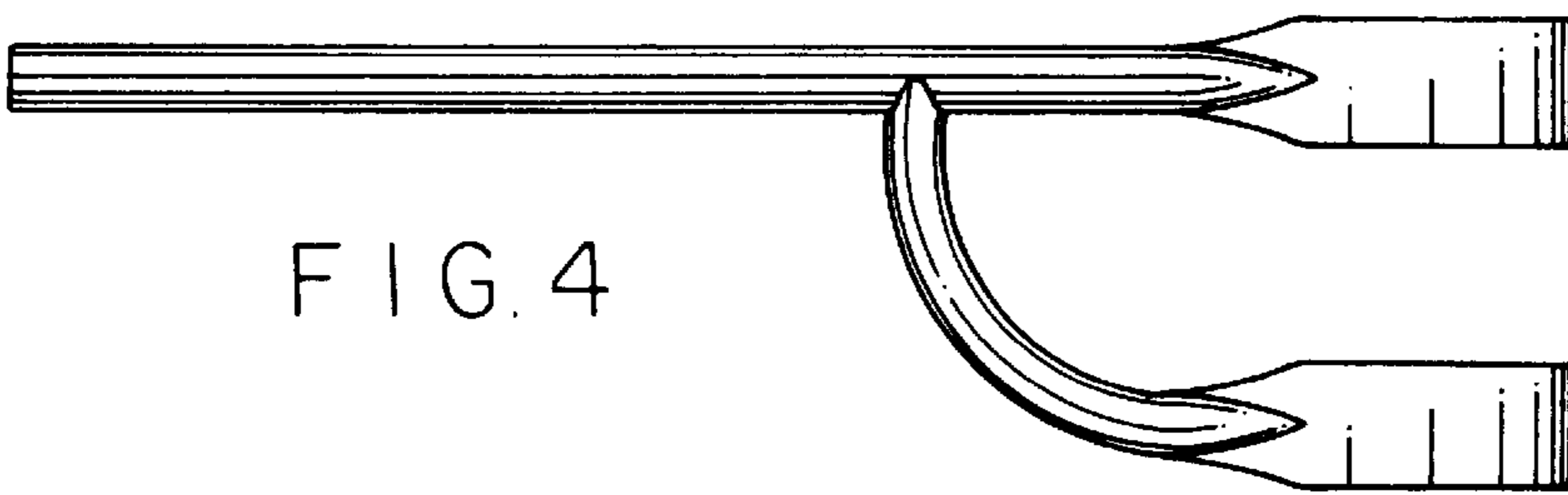


FIG. 4

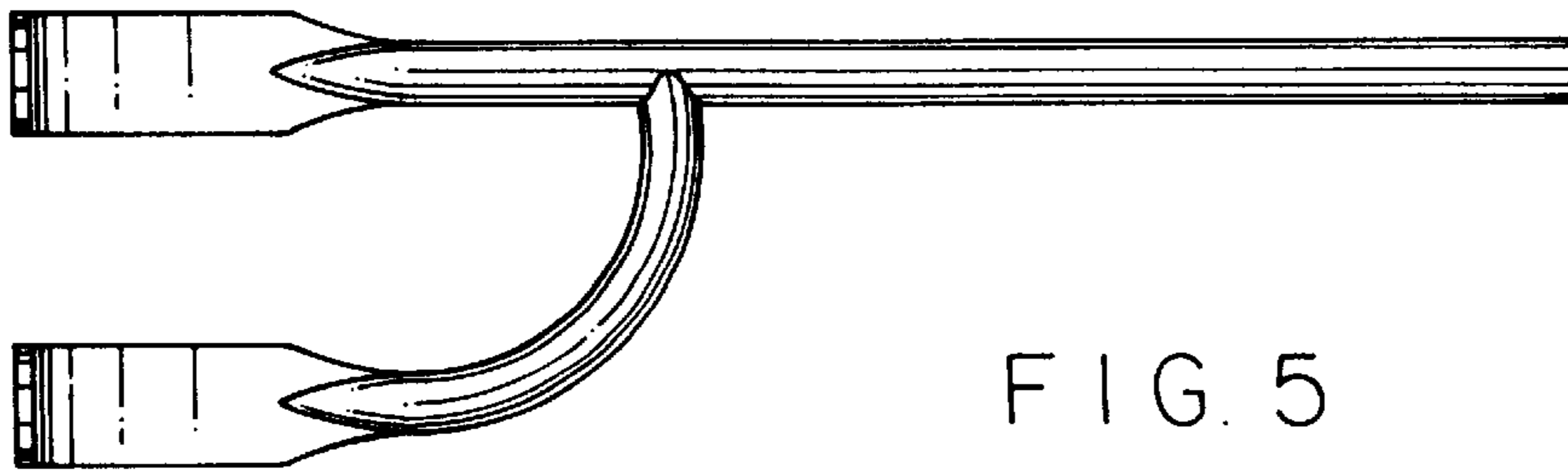


FIG. 5

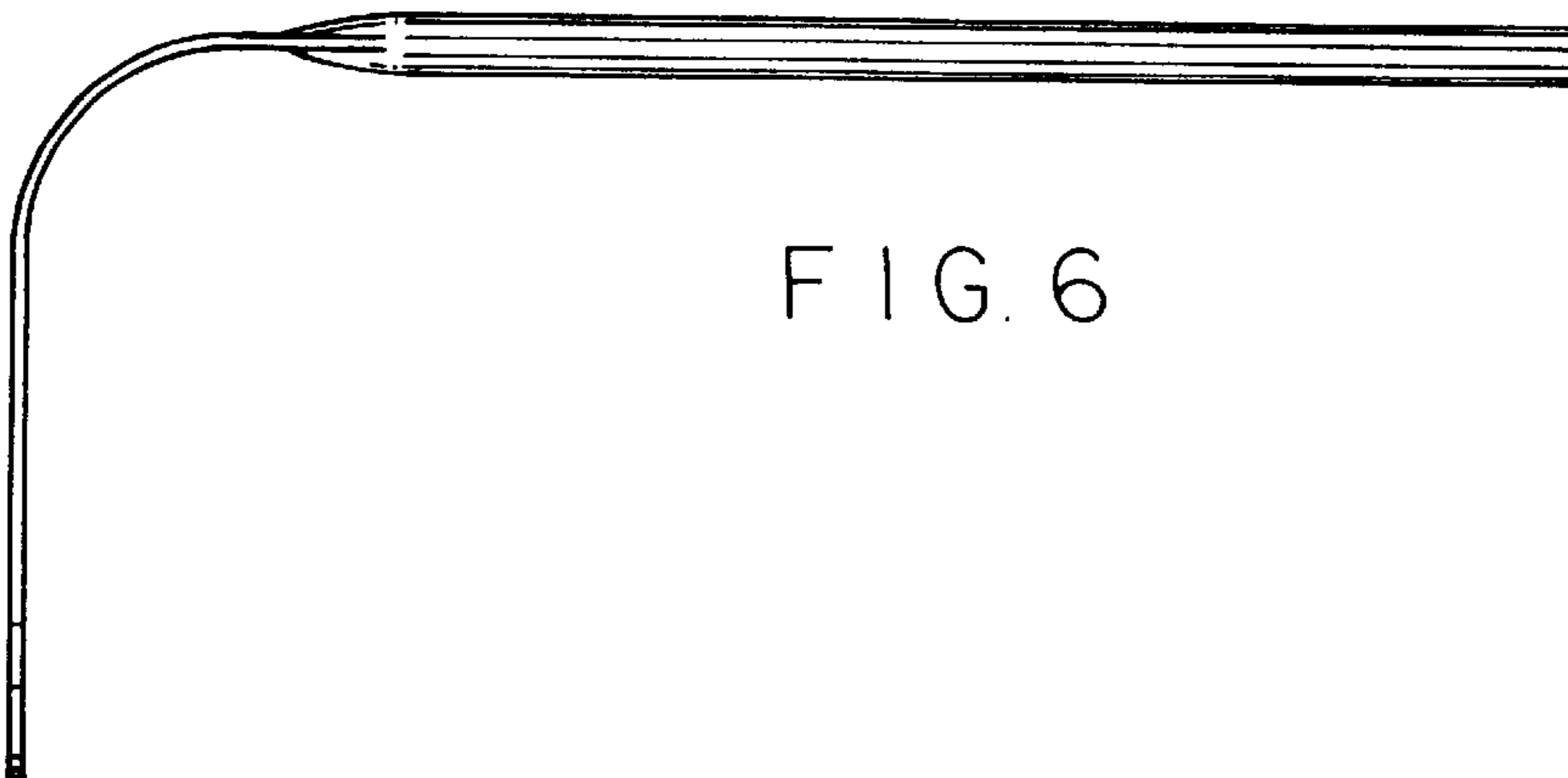


FIG. 6

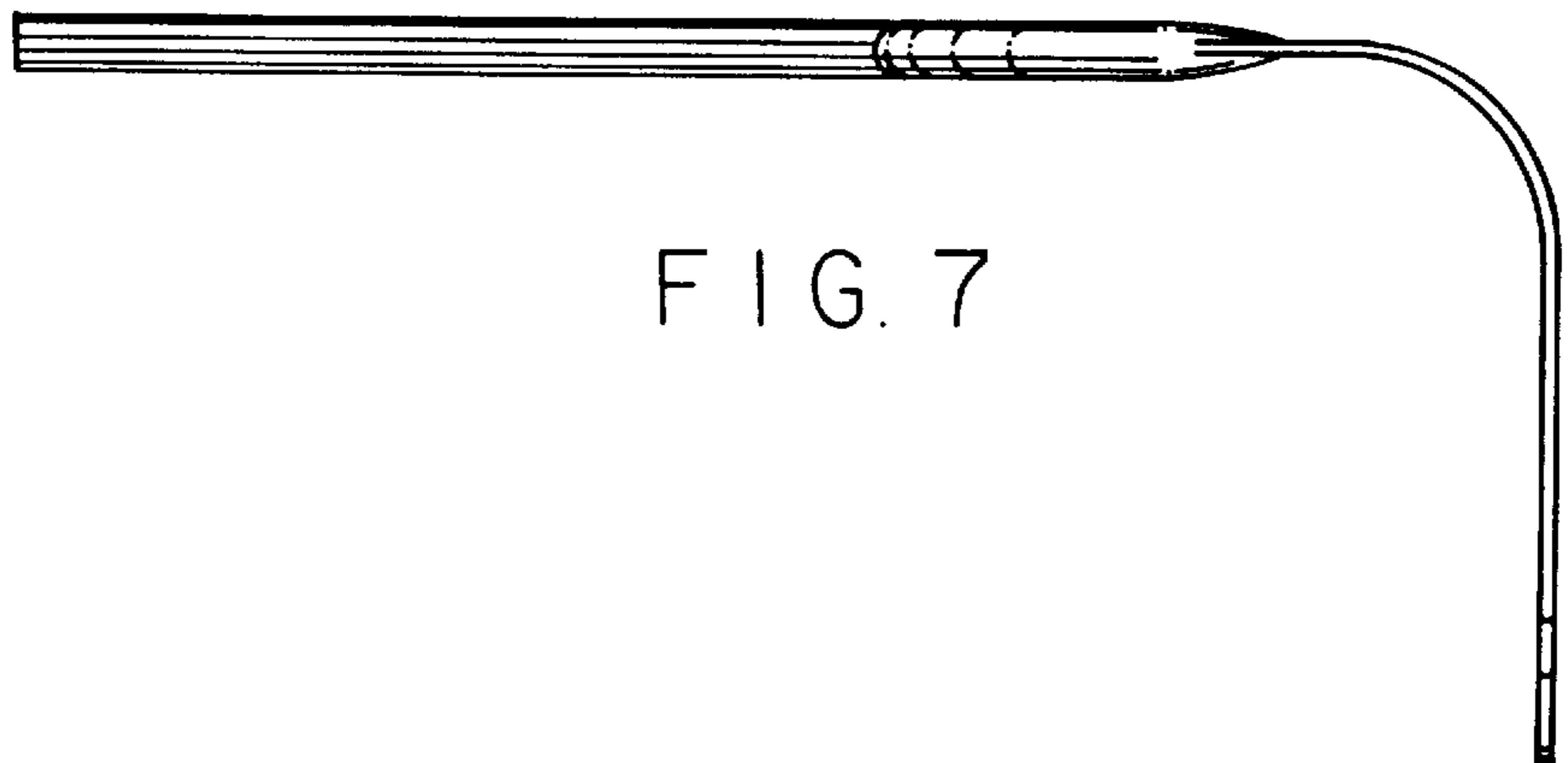


FIG. 7