



US00D425376S

# United States Patent [19]

Voves

[11] **Patent Number: Des. 425,376**

[45] **Date of Patent: \*\* May 23, 2000**

[54] **PIZZA CUTTING AND EATING TOOL**

D. 393,987 5/1998 Molo ..... D7/694  
3,711,945 1/1973 Cronheim ..... 30/142

[76] Inventor: **Mark A. Voves**, 24662 110 St., Cresco,  
Iowa 52136

*Primary Examiner*—Caron D. Veynar  
*Attorney, Agent, or Firm*—Zarley, McKee, Thomte,  
Voorhees & Sease

[\*\*] Term: **14 Years**

[21] Appl. No.: **29/102,597**

[57] **CLAIM**

[22] Filed: **Mar. 29, 1999**

The ornamental design for a pizza cutting and eating tool, as shown.

[51] **LOC (7) Cl. .... 07-03**

**DESCRIPTION**

[52] **U.S. Cl. .... D7/643; D7/694**

[58] **Field of Search** ..... D7/642, 643, 653,  
D7/693, 694, 688; D8/98; 30/142, 162,  
292, 299, 306, 307, 319, 286, 322

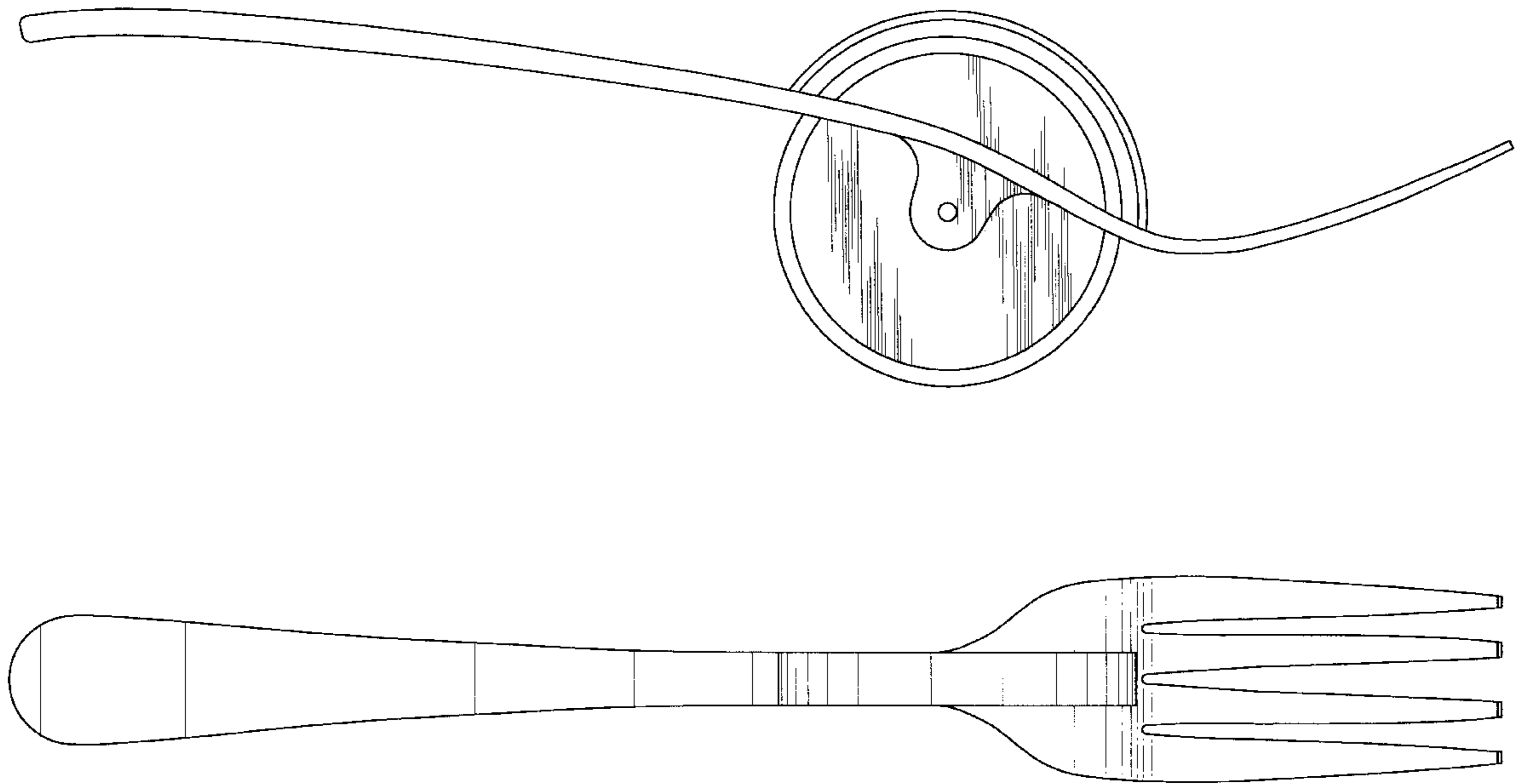
FIG. 1 is a typical side elevational view of a pizza cutting and eating tool showing my new invention;  
FIG. 2 is a top plan view thereof;  
FIG. 3 is a bottom plan view thereof;  
FIG. 4 is a rear elevational view thereof; and,  
FIG. 5 is a front elevational view thereof.

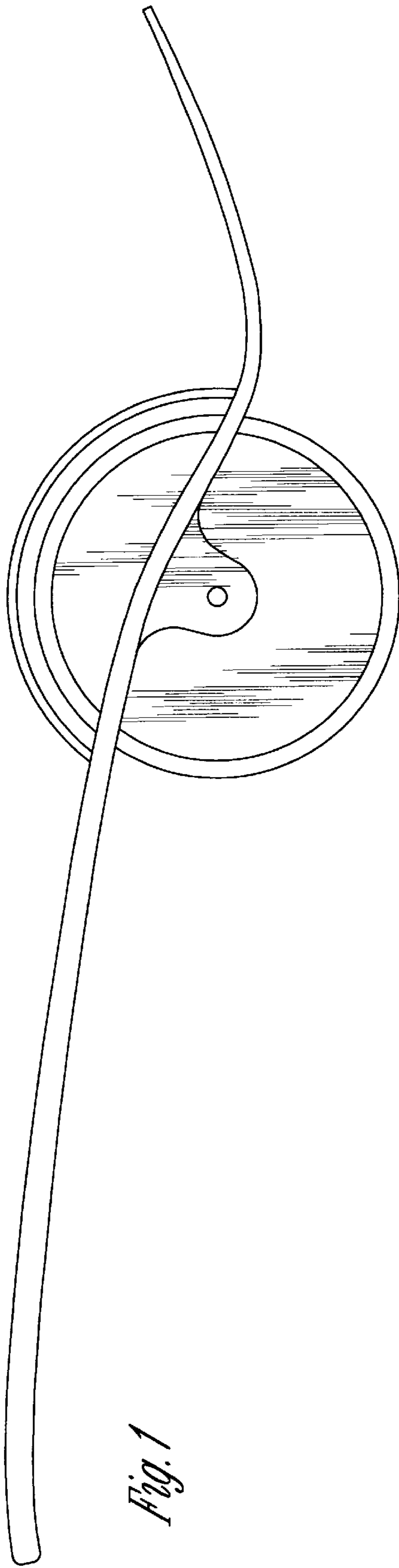
[56] **References Cited**

**U.S. PATENT DOCUMENTS**

D. 286,608 11/1986 Leung ..... D7/688

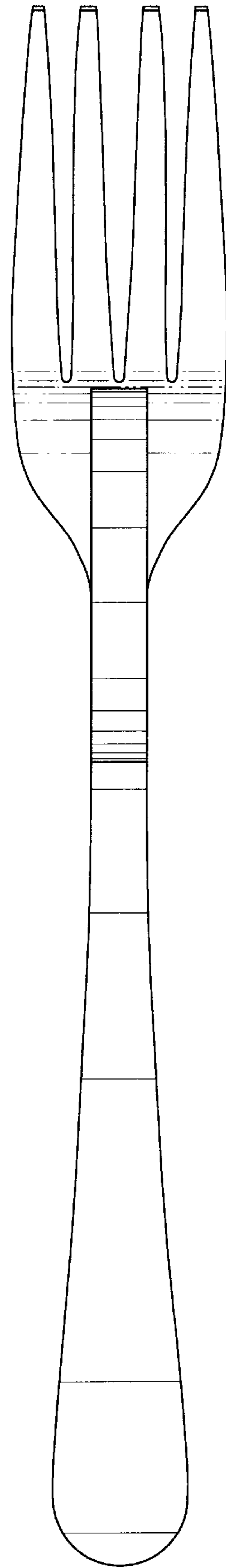
**1 Claim, 2 Drawing Sheets**

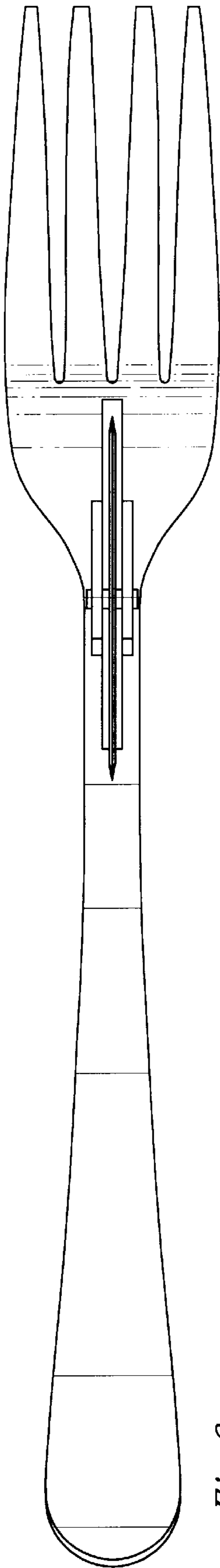




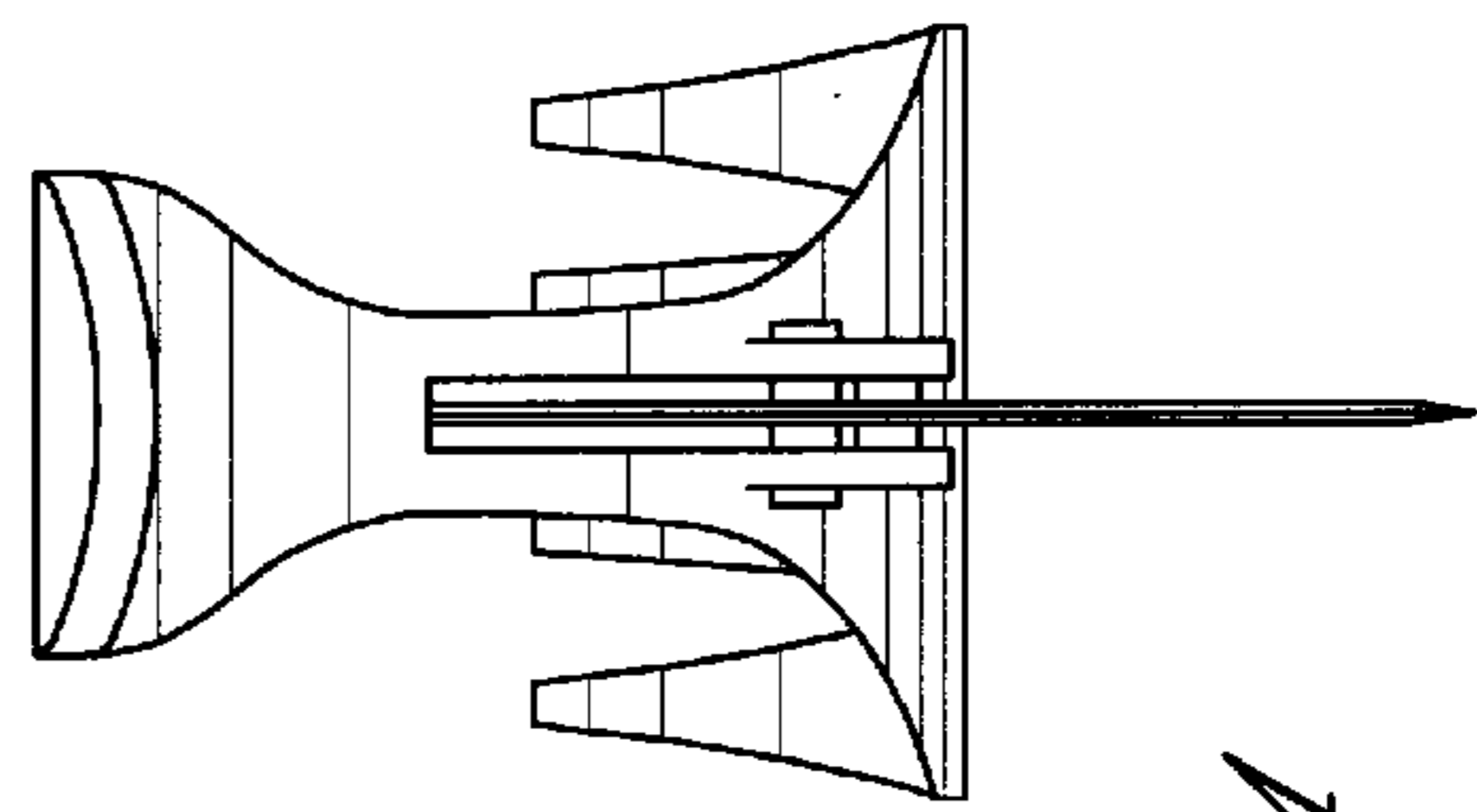
*Fig. 1*

*Fig. 2*

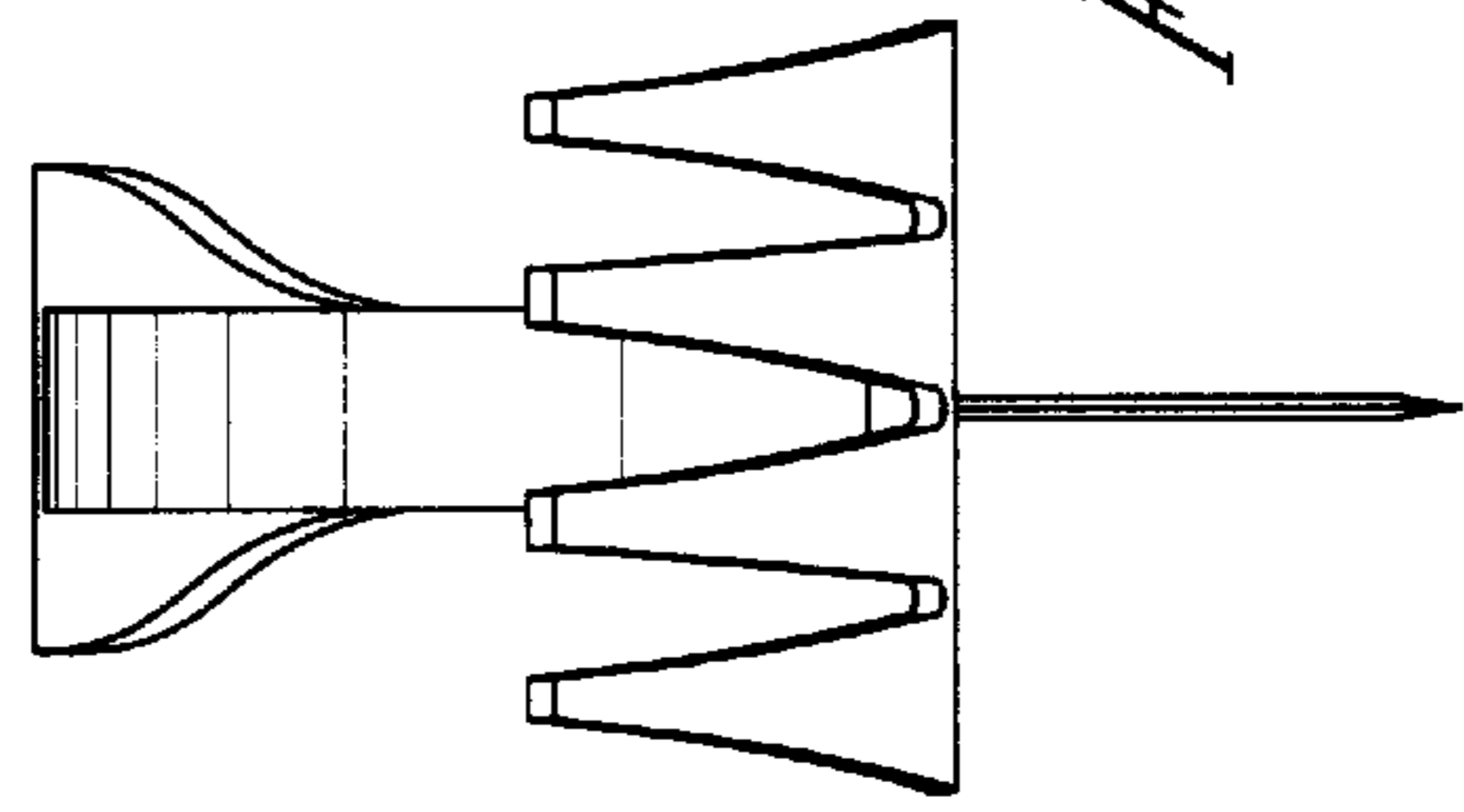




*Fig. 3*



*Fig. 4*



*Fig. 5*