



US00D425375S

**United States Patent** [19]  
**Parham**

[11] **Patent Number: Des. 425,375**

[45] **Date of Patent: \*\* \*May 23, 2000**

[54] **SUCTION CUP MOUNTED BOTTLE HOLDER**

D. 330,147 10/1992 Garber ..... D7/619  
D. 336,005 6/1993 Keup ..... D7/620 X  
3,814,293 6/1974 Daves ..... 222/173

[76] Inventor: **Kirk Parham**, 14 A Corniche Dr.,  
Monarch Beach, Calif. 92629-4060

*Primary Examiner*—Terry A. Wallace

[\*] Notice: This patent is subject to a terminal disclaimer.

[57] **CLAIM**

[\*\*] Term: **14 Years**

The ornamental design for a suction cup mounted bottle holder, as shown.

[21] Appl. No.: **29/075,562**

**DESCRIPTION**

[22] Filed: **Aug. 21, 1997**

FIG. 1 is a front elevation view of a suction cup mounted bottle holder showing my new design;  
FIG. 2 is a rear elevation view thereof;  
FIG. 3 is a left side elevation view thereof;  
FIG. 4 is a right side elevation view thereof;  
FIG. 5 is a top plan view thereof;  
FIG. 6 is a bottom plan view thereof; and  
FIG. 7 is a top, front, right side perspective view thereof.

[51] **LOC (7) Cl.** ..... **07-06**

[52] **U.S. Cl.** ..... **D7/619**

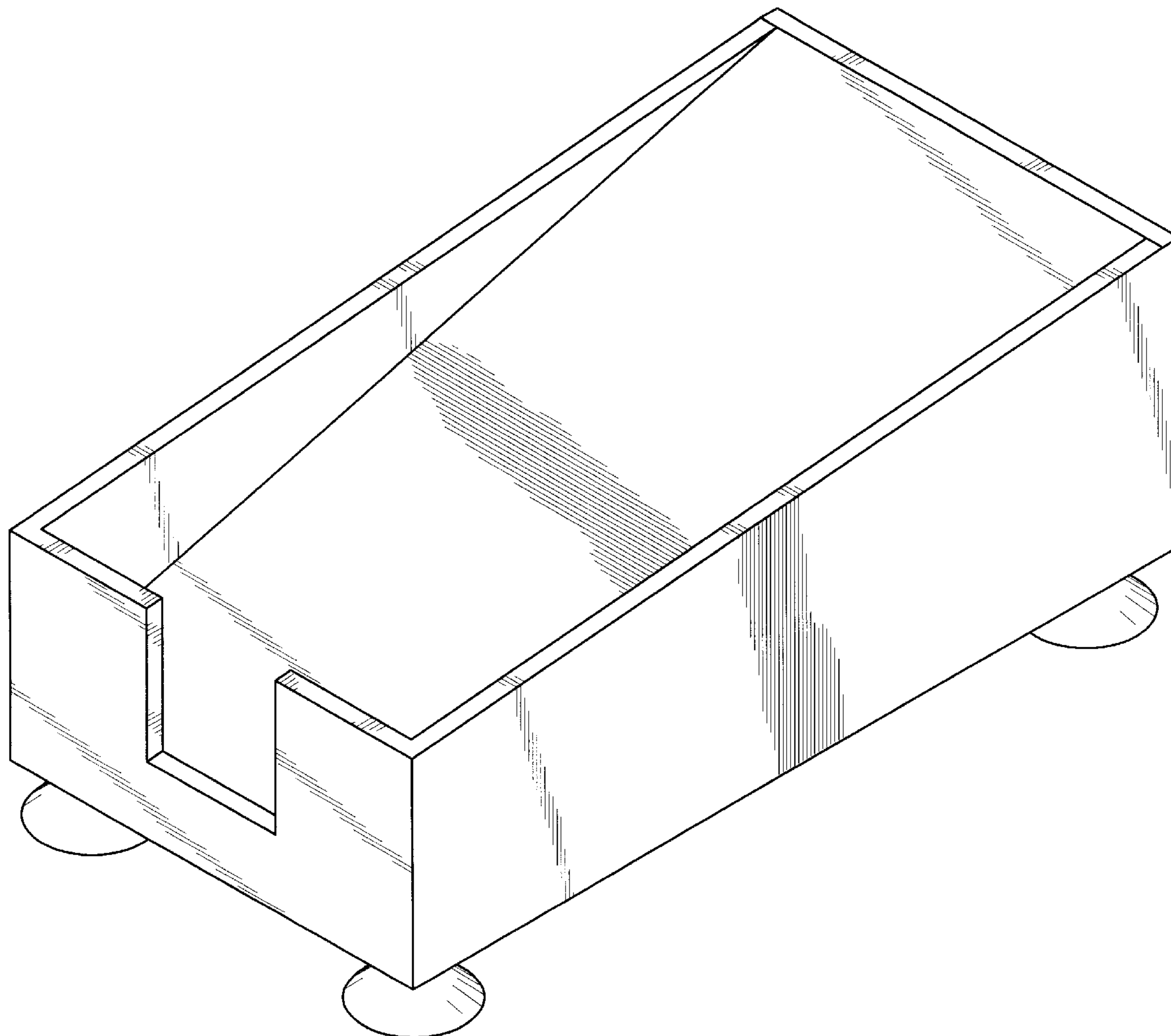
[58] **Field of Search** ..... D7/619, 620; 211/74;  
222/173, 185.1; 248/105, 146-148, 309.3,  
362, 363

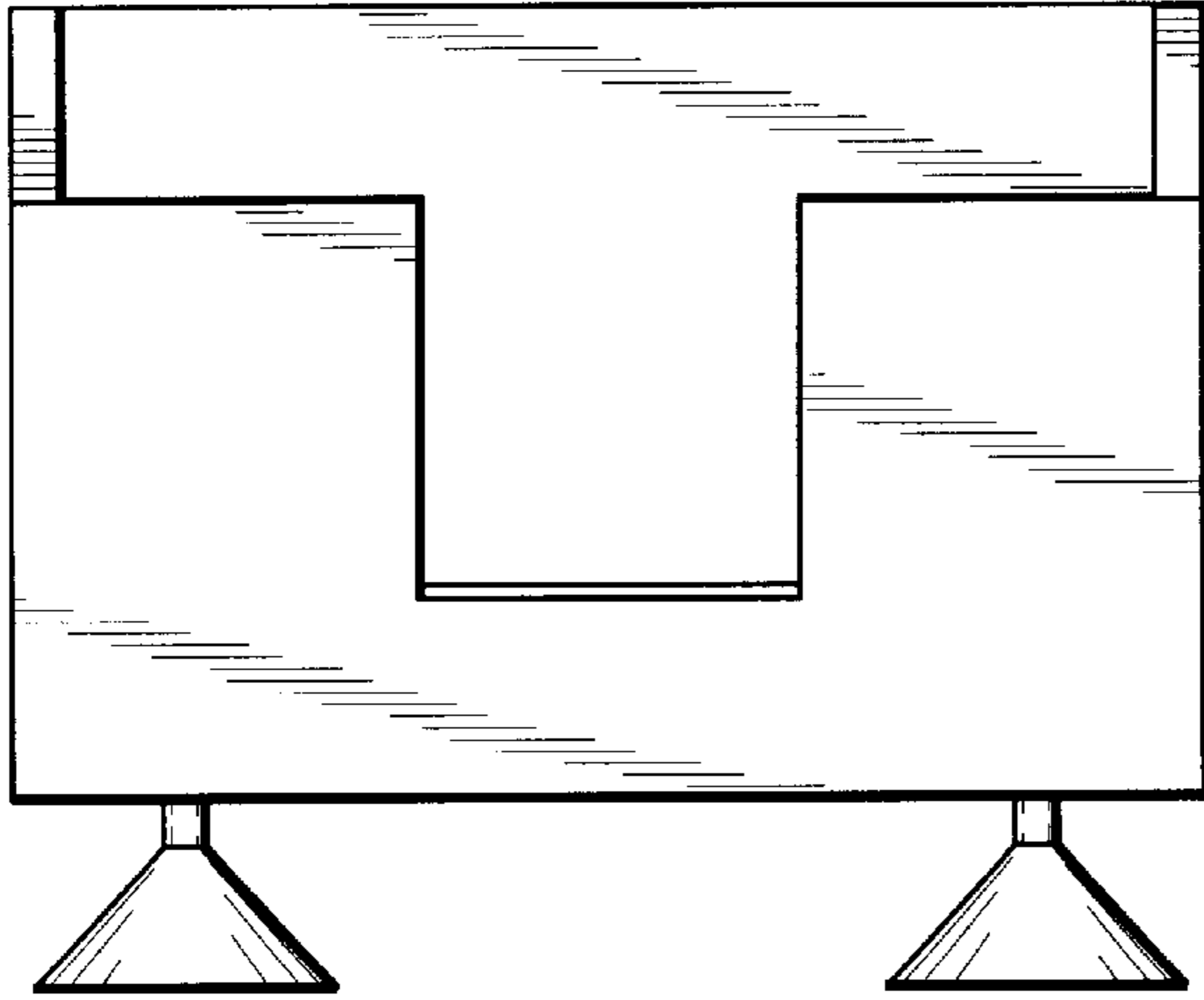
[56] **References Cited**

**U.S. PATENT DOCUMENTS**

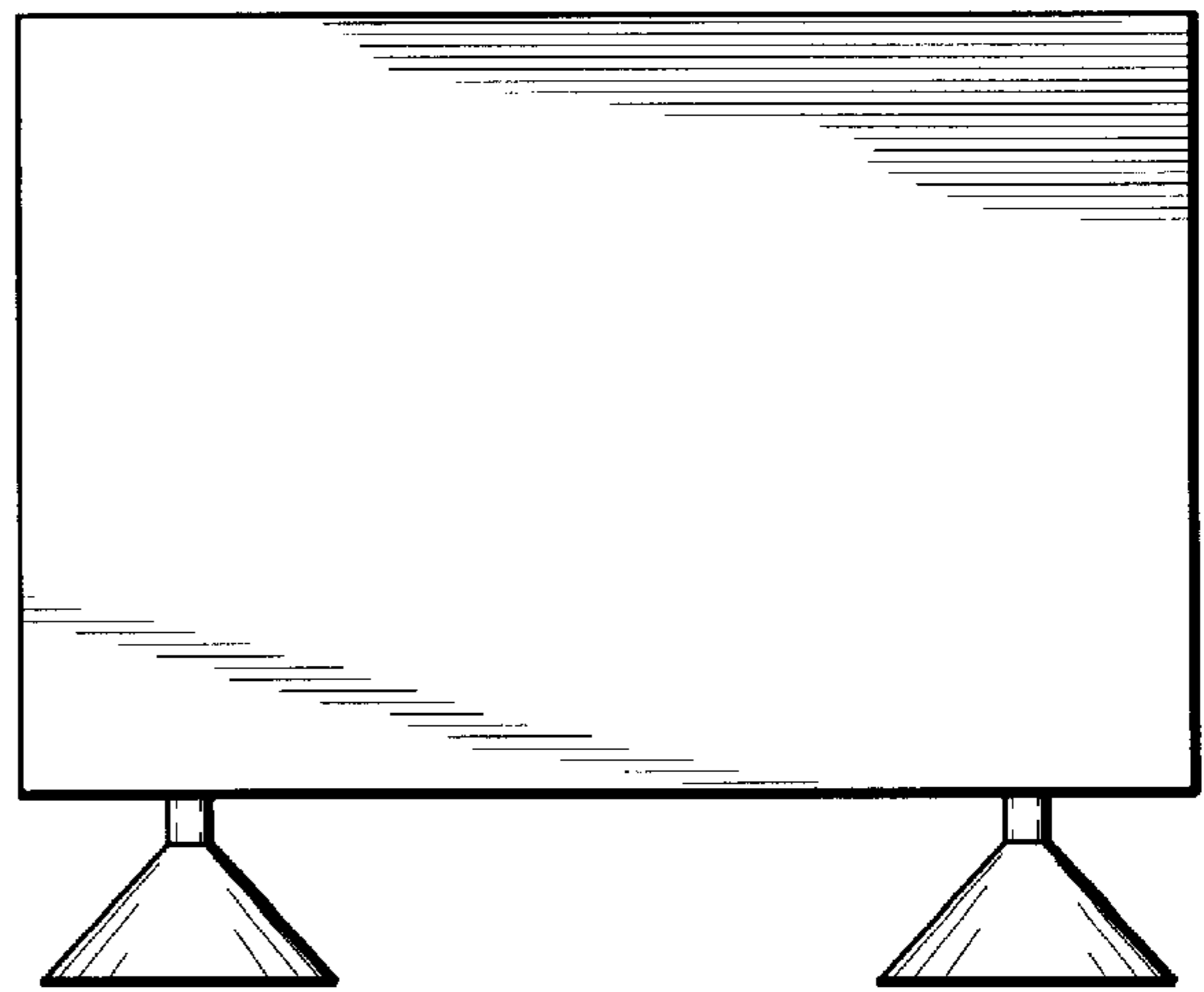
D. 198,488 6/1964 Reis ..... D7/619 X

**1 Claim, 4 Drawing Sheets**

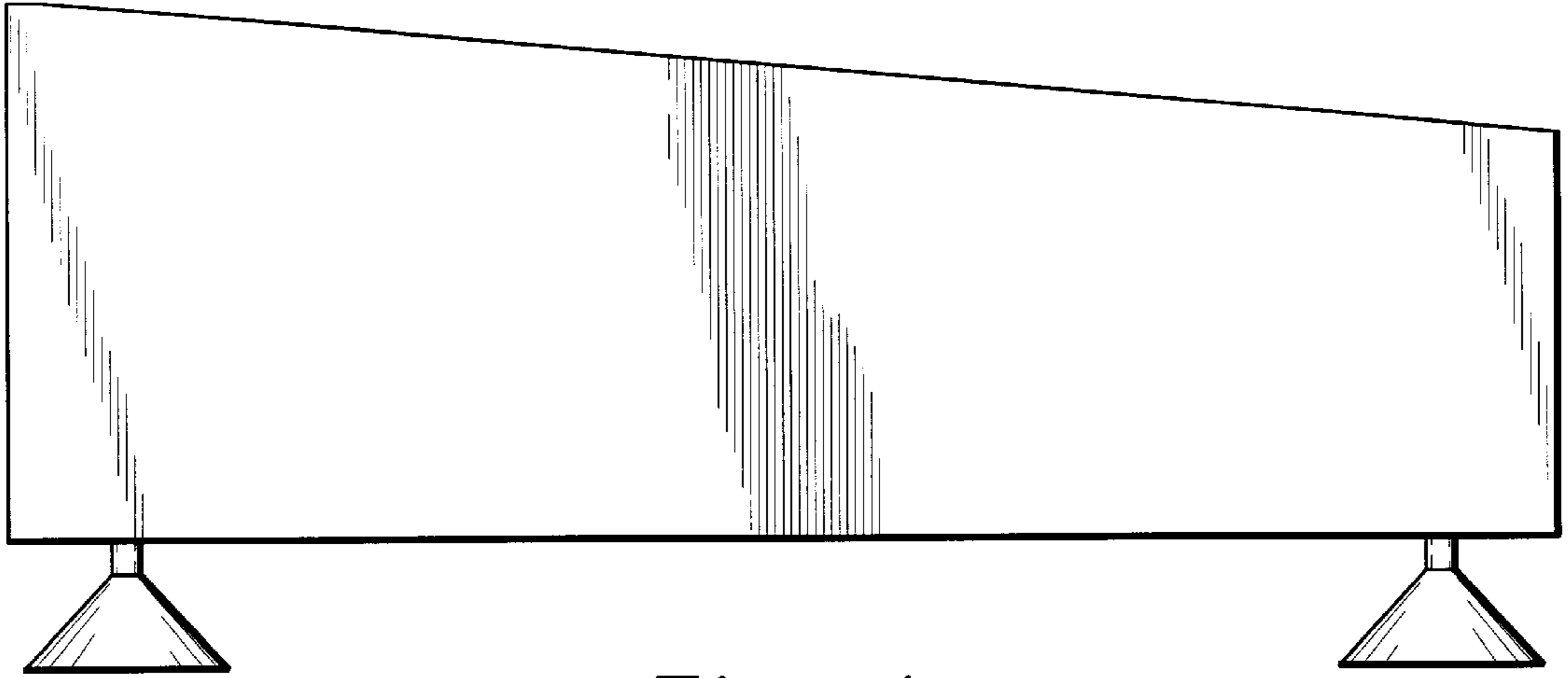




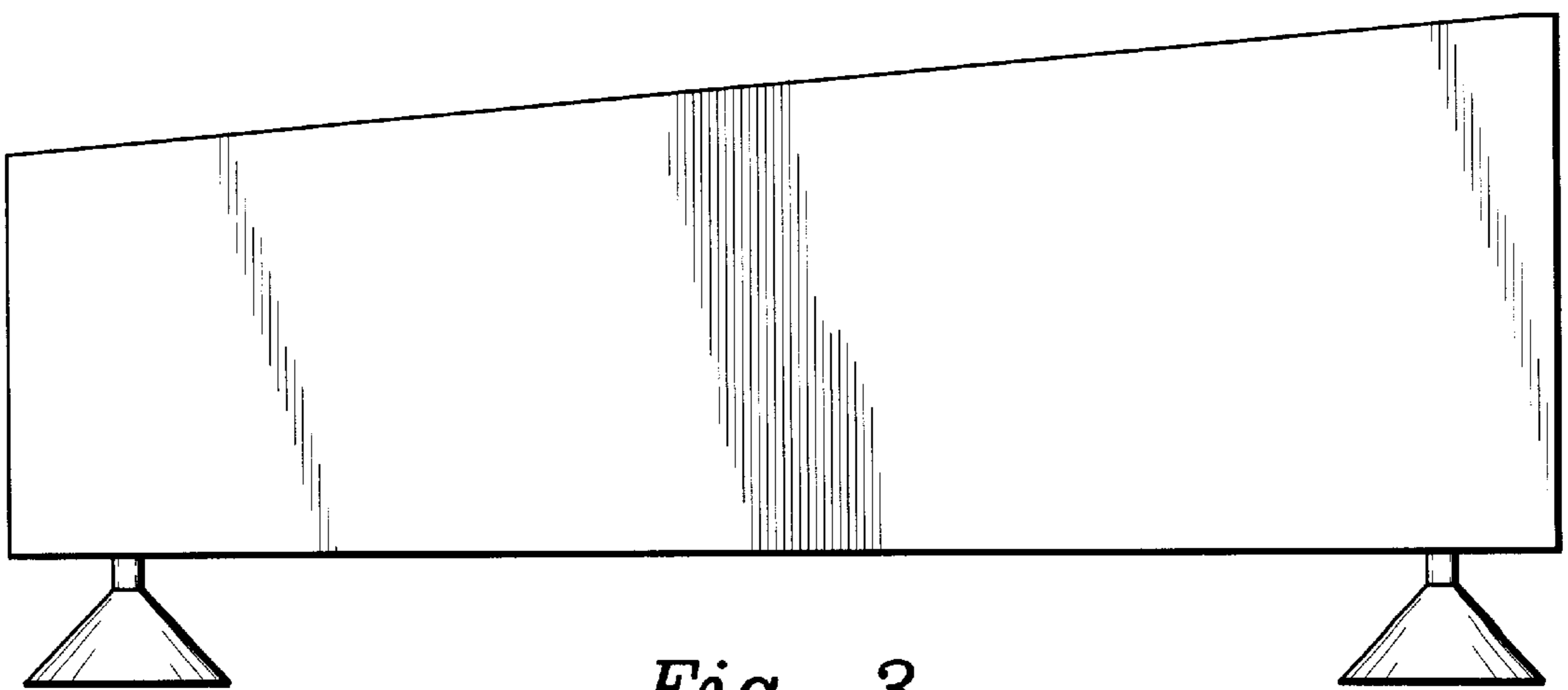
*Fig. 1*



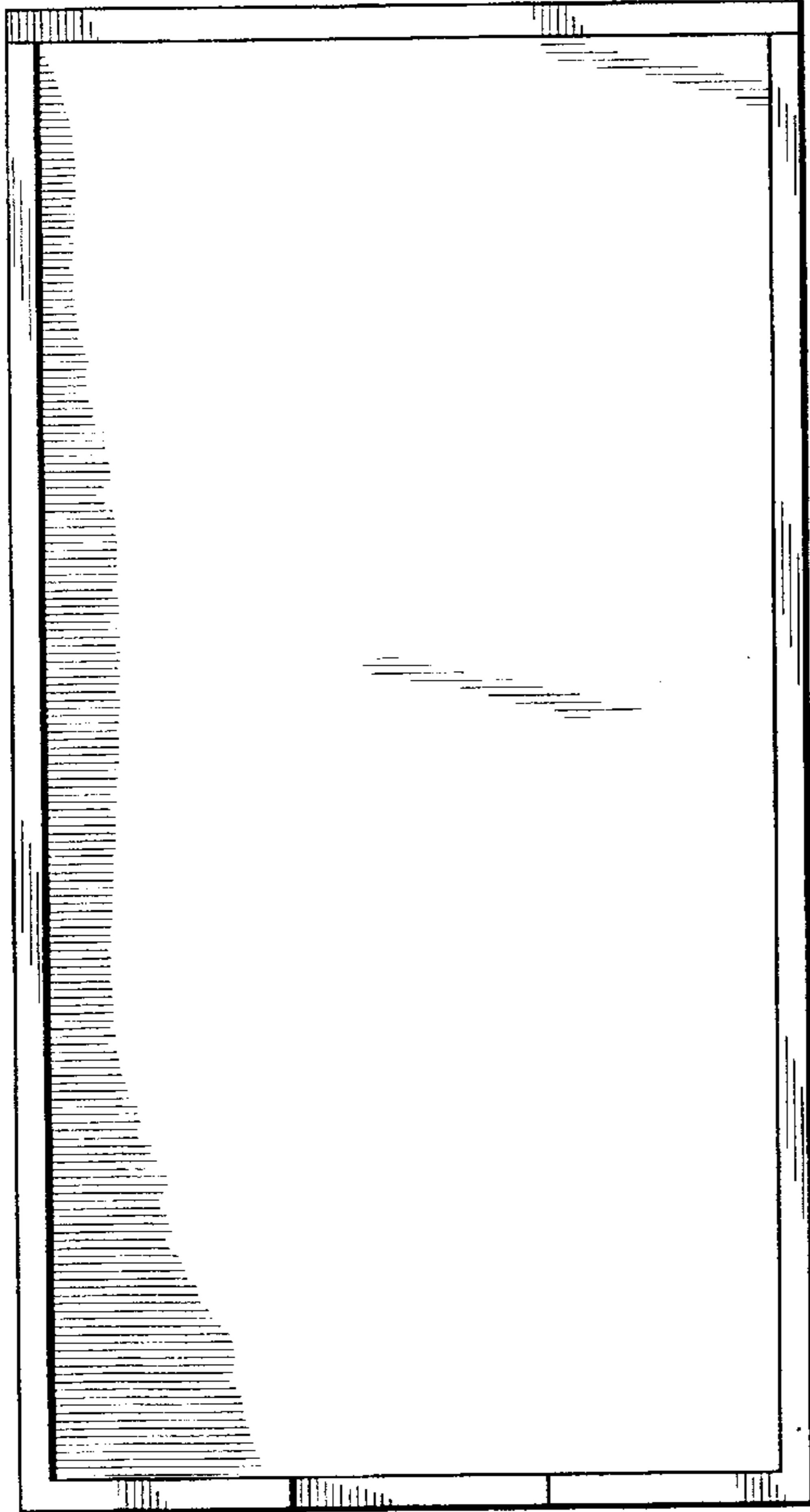
*Fig. 2*



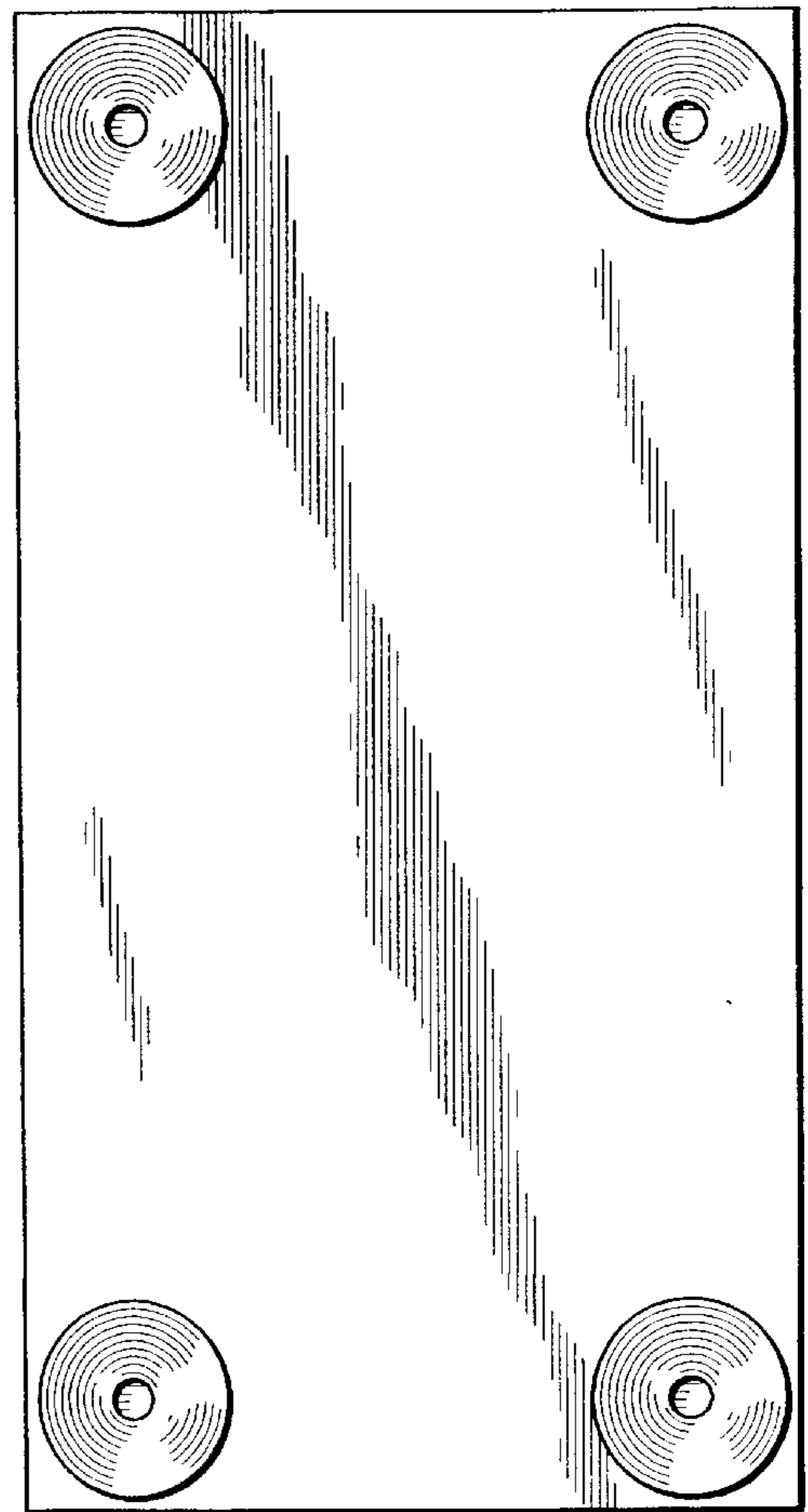
*Fig. 4*



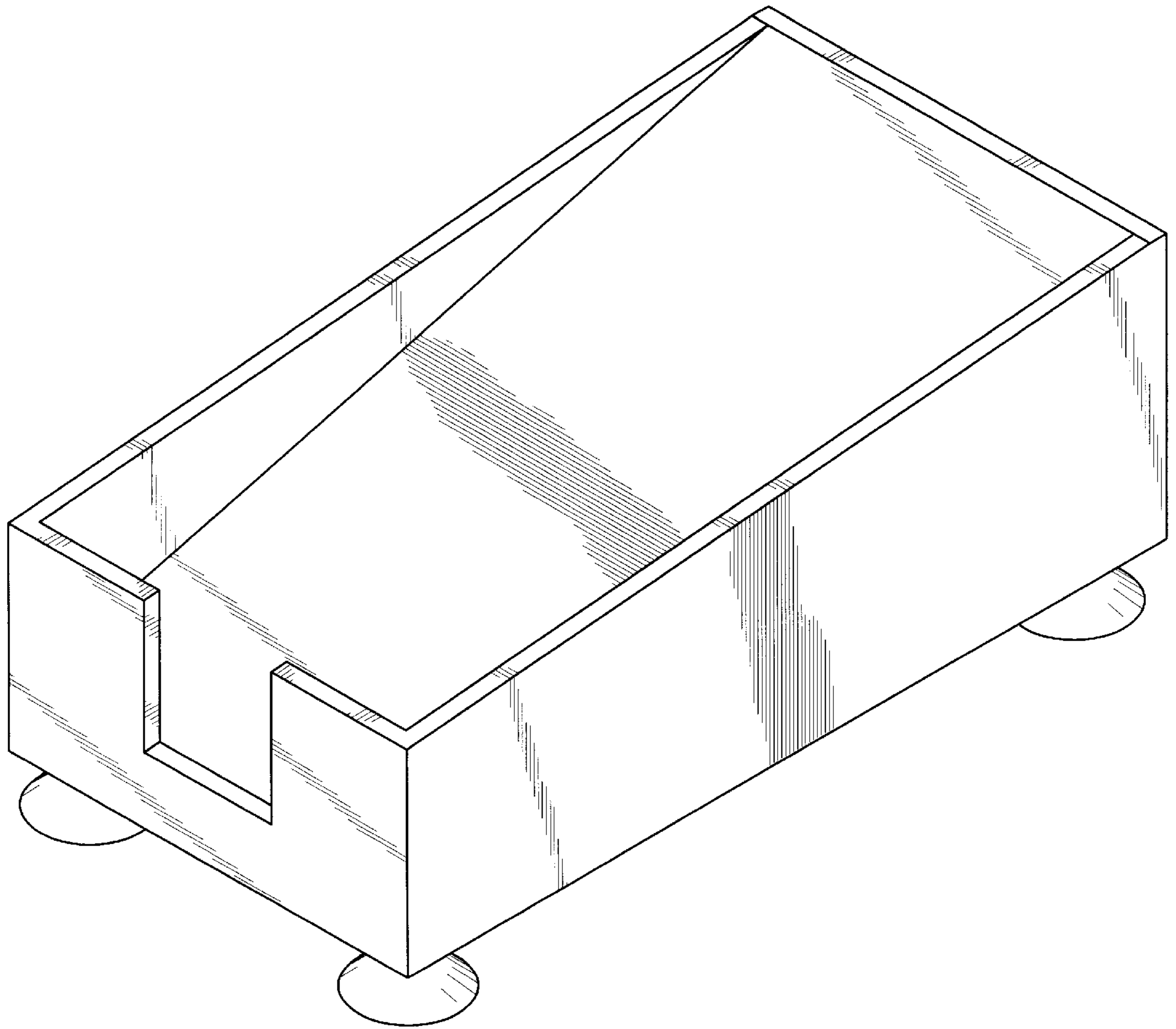
*Fig. 3*



*Fig. 5*



*Fig. 6*



*Fig. 7*