



US00D425373S

United States Patent [19]

Malan

[11] **Patent Number: Des. 425,373**

[45] **Date of Patent: ** May 23, 2000**

[54] **WATER BOTTLE LINER**

[76] Inventor: **Terry Malan**, 3729 Castala Dr.,
Palmdale, Calif. 93550

[**] Term: **14 Years**

[21] Appl. No.: **29/100,454**

[22] Filed: **Feb. 10, 1999**

[51] **LOC (7) Cl.** **07-07**

[52] **U.S. Cl.** **D7/607**

[58] **Field of Search** D7/605, 607, 608;
215/12.1, 12.2, 13.1; 220/9.4, 495.01, 495.03,
495.05, 495.06, 495.11

[56] **References Cited**

U.S. PATENT DOCUMENTS

D. 344,413	2/1994	Bedrosian et al.	D7/607 X
1,926,986	9/1933	Angier	220/495.01 X
2,095,272	10/1937	Vanderhoof .	
2,274,536	2/1942	Pugh, Sr.	229/7
2,627,824	2/1953	Schulze	220/495.03
3,119,543	1/1964	Walker	220/495.03 X

3,776,458	12/1973	Chunga	239/33
3,790,021	2/1974	Bailey	220/495.03
4,555,035	11/1985	Davis	215/215
4,821,896	4/1989	Cheng	220/495.03 X

Primary Examiner—Terry A. Wallace
Attorney, Agent, or Firm—Goldstein & Canino

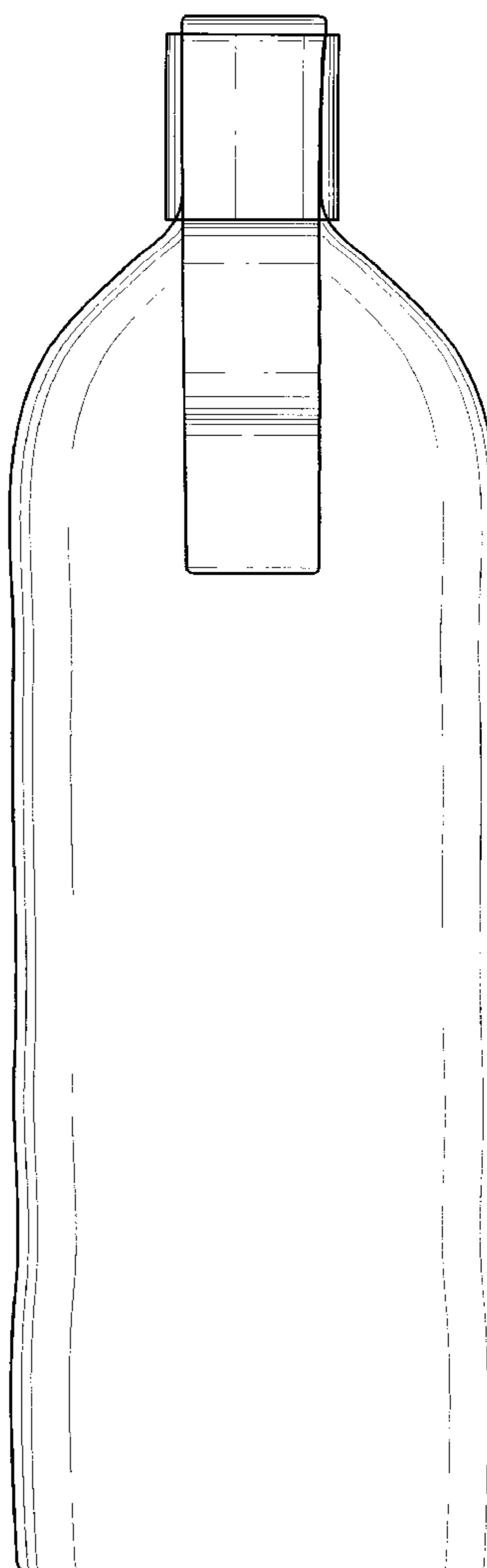
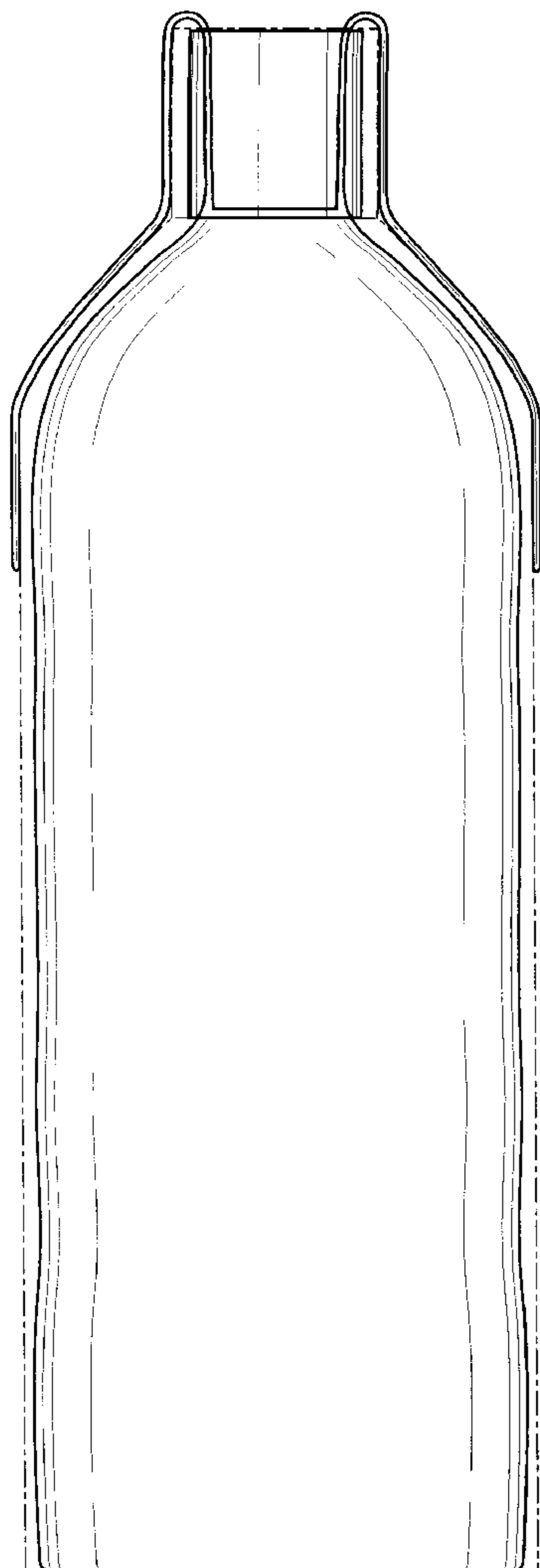
[57] **CLAIM**

The ornamental design for a water bottle liner, as shown and described.

DESCRIPTION

FIG. 1 is front elevational view of the water bottle liner in full lines with a water bottle in broken lines representing environmental association matter being for illustrative purposes only and forming no part of the claimed invention, the rear elevational view being a mirror image of the front view. FIG. 2 is a right side elevational view thereof, the left side elevational view being a mirror image of the right side view. FIG. 3 is a top plan view of the water bottle liner; and, FIG. 4 is a bottom plan view thereof.

1 Claim, 2 Drawing Sheets



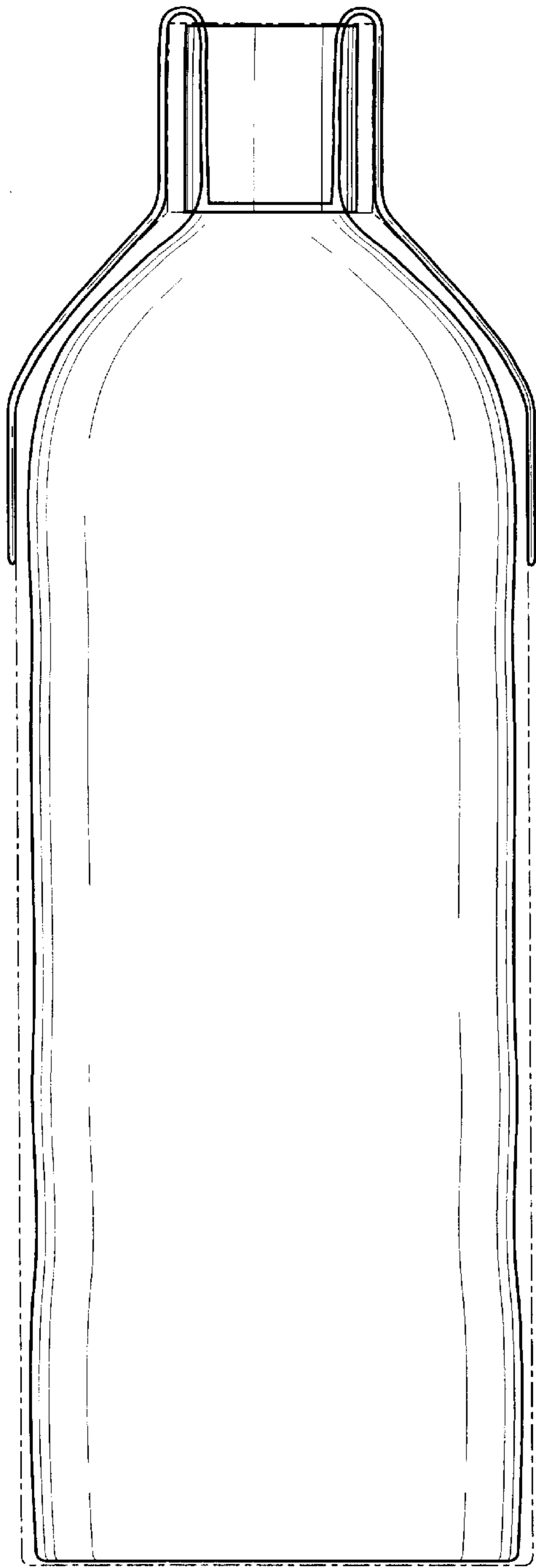


FIG. 1

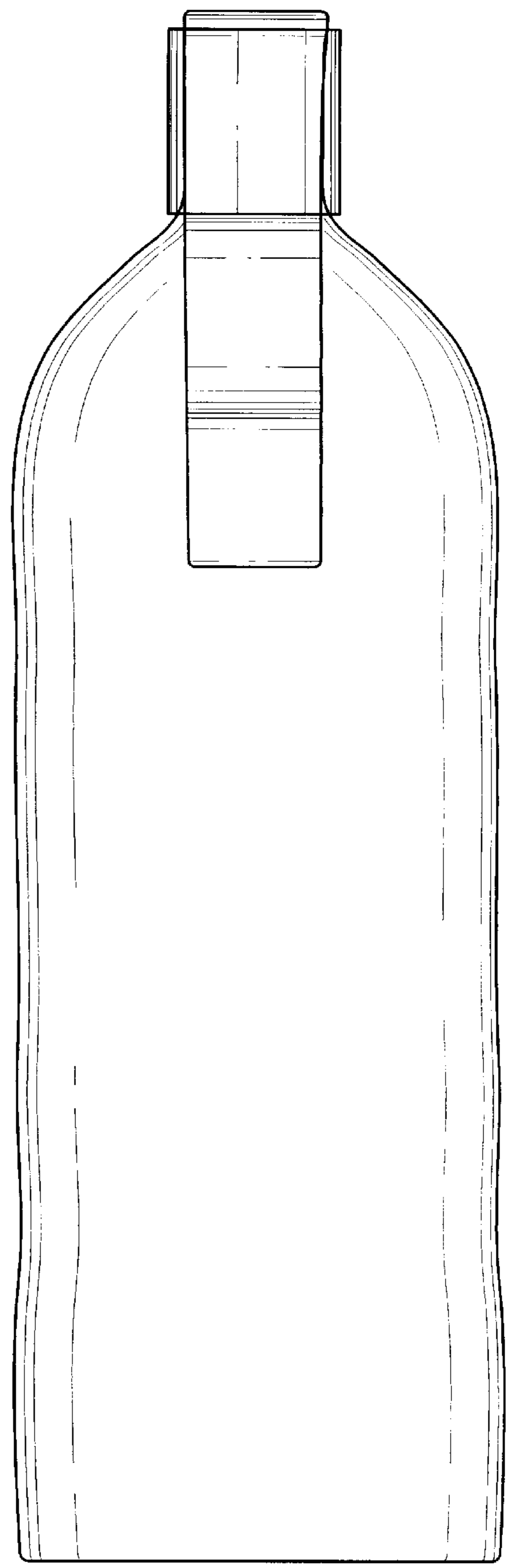


FIG. 2

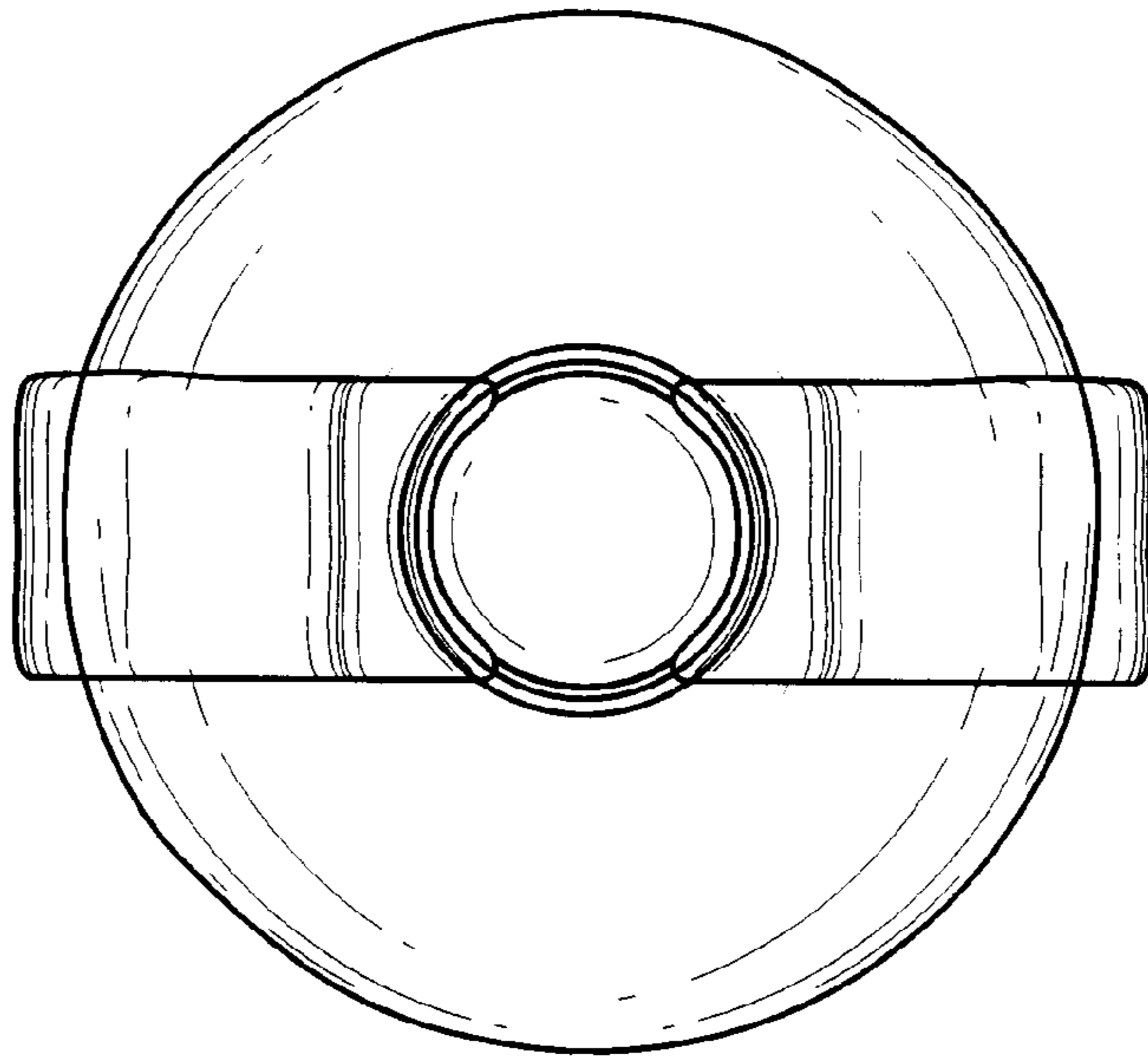


FIG. 3

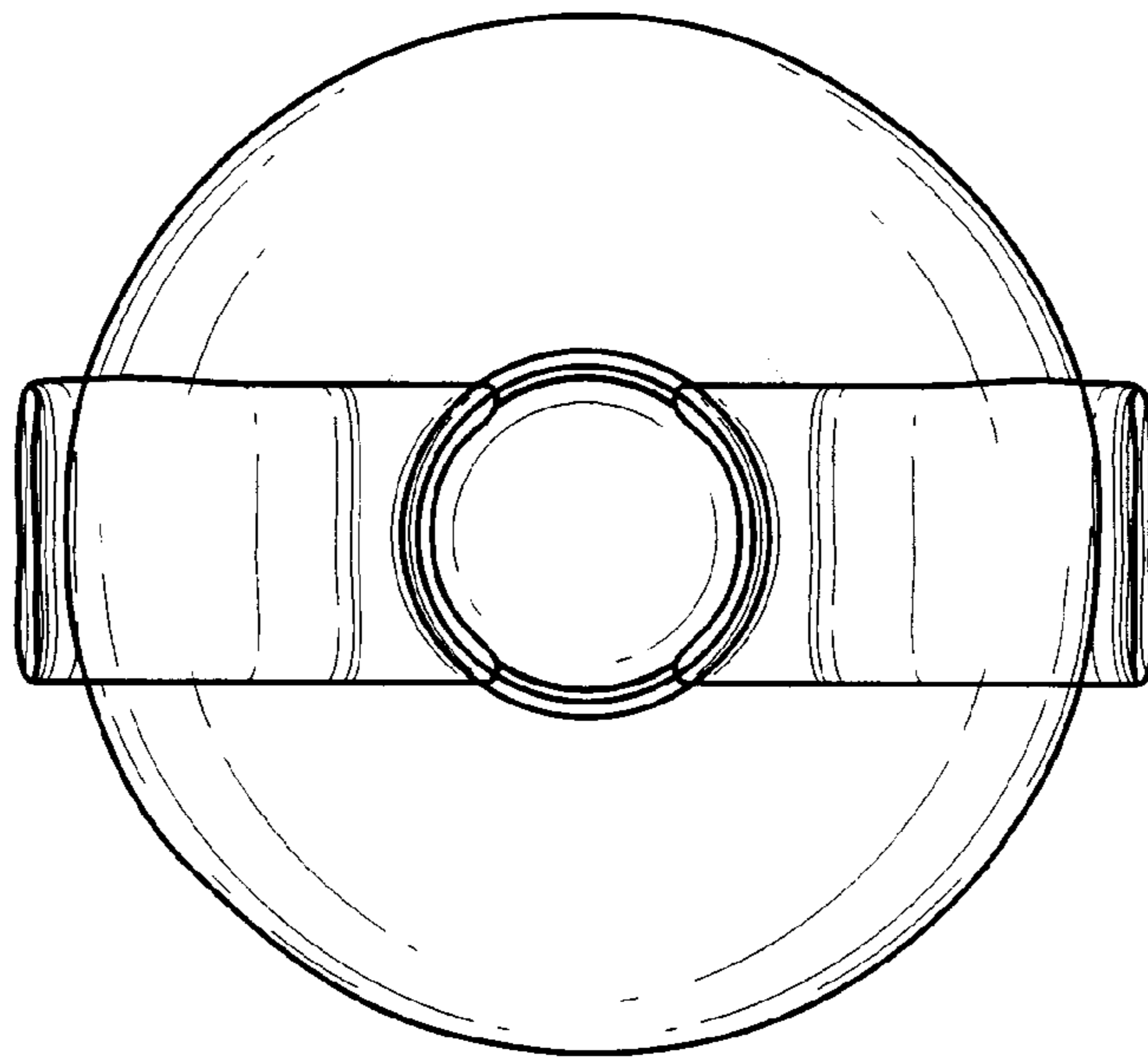


FIG. 4