



US00D425371S

United States Patent [19] Kerr

[11] Patent Number: **Des. 425,371**

[45] Date of Patent: **** May 23, 2000**

[54] **MARTINI GLASS**

[75] Inventor: **W. Park Kerr**, El Paso, Tex.

[73] Assignee: **United Gourmet L.P.**, El Paso, Tex.

[**] Term: **14 Years**

[21] Appl. No.: **29/108,533**

[22] Filed: **Jul. 30, 1999**

[51] **LOC (7) Cl.** **07-01**

[52] **U.S. Cl.** **D7/519; D7/515; D7/516;**
D7/524; D7/537

[58] **Field of Search** D7/515, 514, 516,
D7/522, 525, 529, 537, 524, 519; 222/78;
220/729, 23.86, 715, 713; D9/310

[56] **References Cited**

U.S. PATENT DOCUMENTS

D. 39,362	6/1908	Johnston	D9/310
D. 164,618	9/1951	Yuchtmann	D7/525 X
D. 179,013	10/1956	Kimble	D7/526
D. 277,075	1/1985	Blais et al.	D9/310

D. 284,631	7/1986	Inns	D7/525
D. 298,397	11/1988	Durand	D7/525
D. 299,101	12/1988	Durand	D7/537
D. 308,791	6/1990	Durand	D7/526
D. 378,725	4/1997	Ventus	D7/510
D. 407,947	4/1999	Barth	D7/522
D. 409,482	5/1999	Jacobs	D9/310

Primary Examiner—M. N. Pandozzi
Attorney, Agent, or Firm—Jacobson, Price, Holman & Stern, PLLC

[57] **CLAIM**

The ornamental design for a martini glass, as shown and described.

DESCRIPTION

FIG. 1 is a front view showing my new design for a martini glass,
FIG. 2 is a rear view thereof;
FIG. 3 is a right side view thereof;
FIG. 4 is a left side view thereof;
FIG. 5 is a top view thereof; and,
FIG. 6 is a bottom view thereof.

1 Claim, 3 Drawing Sheets

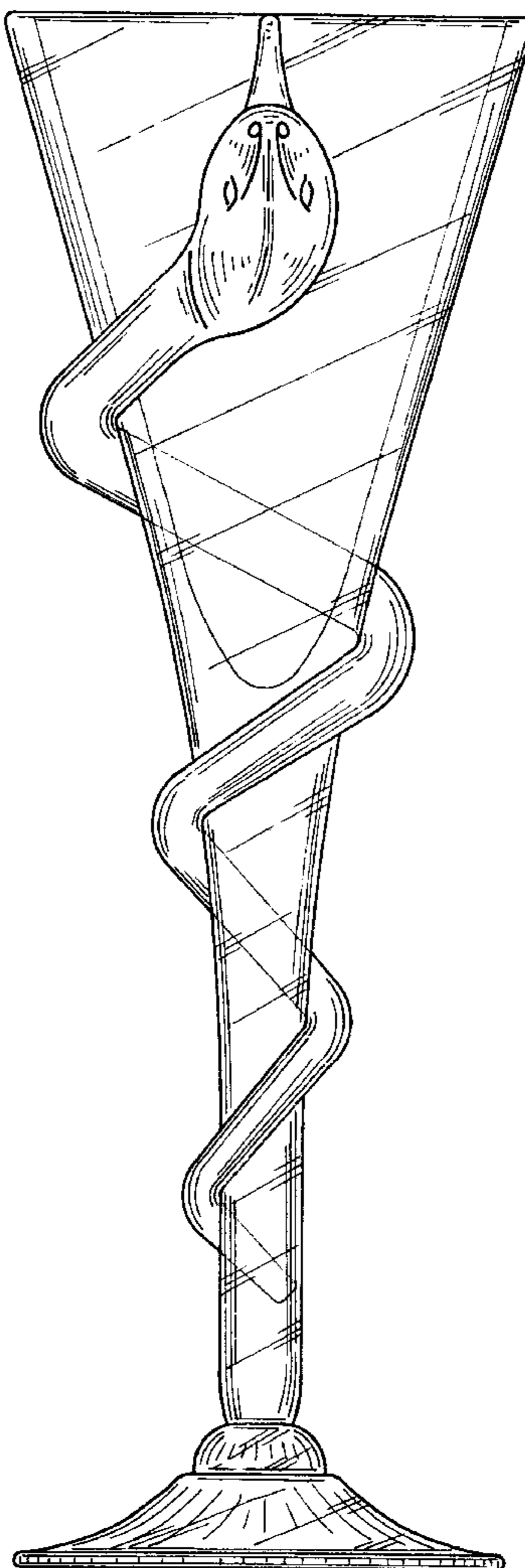


FIG. 1

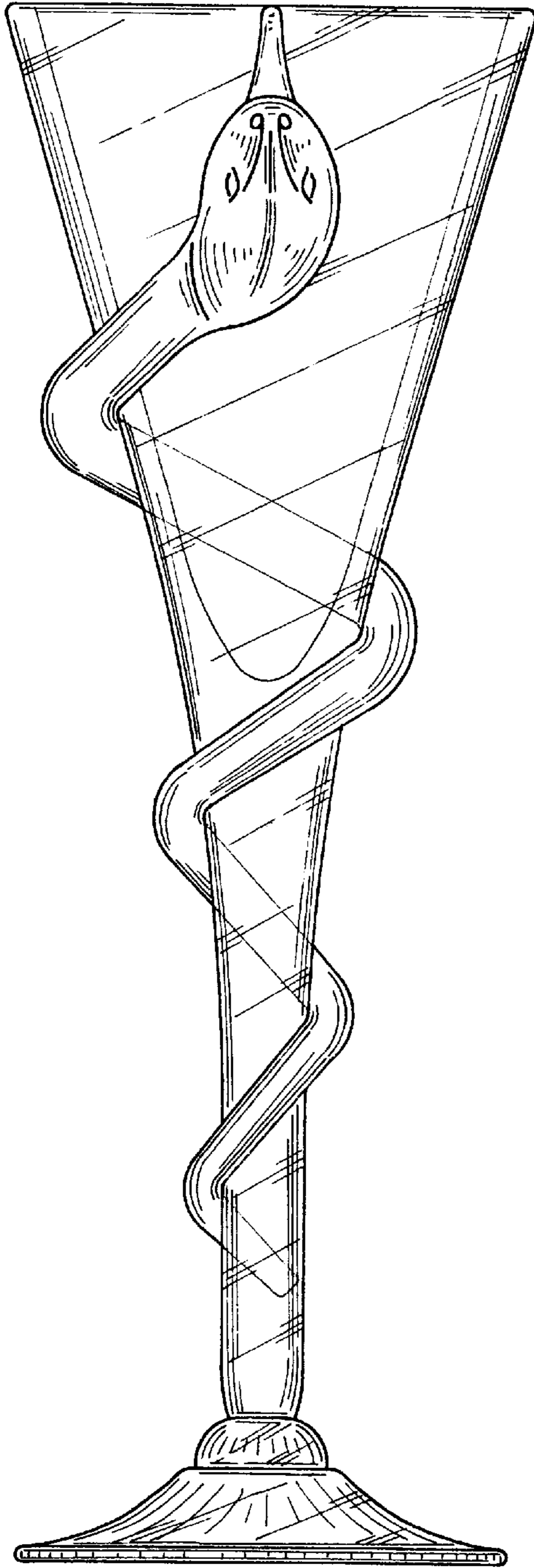


FIG. 2

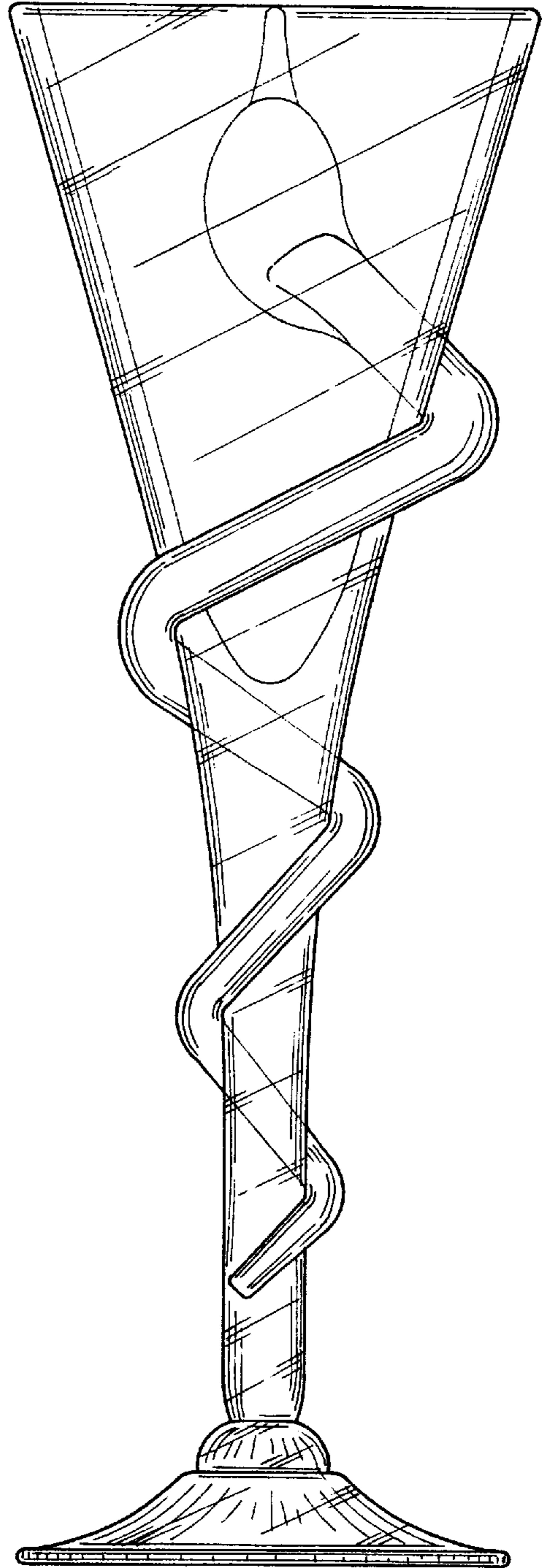


FIG. 3

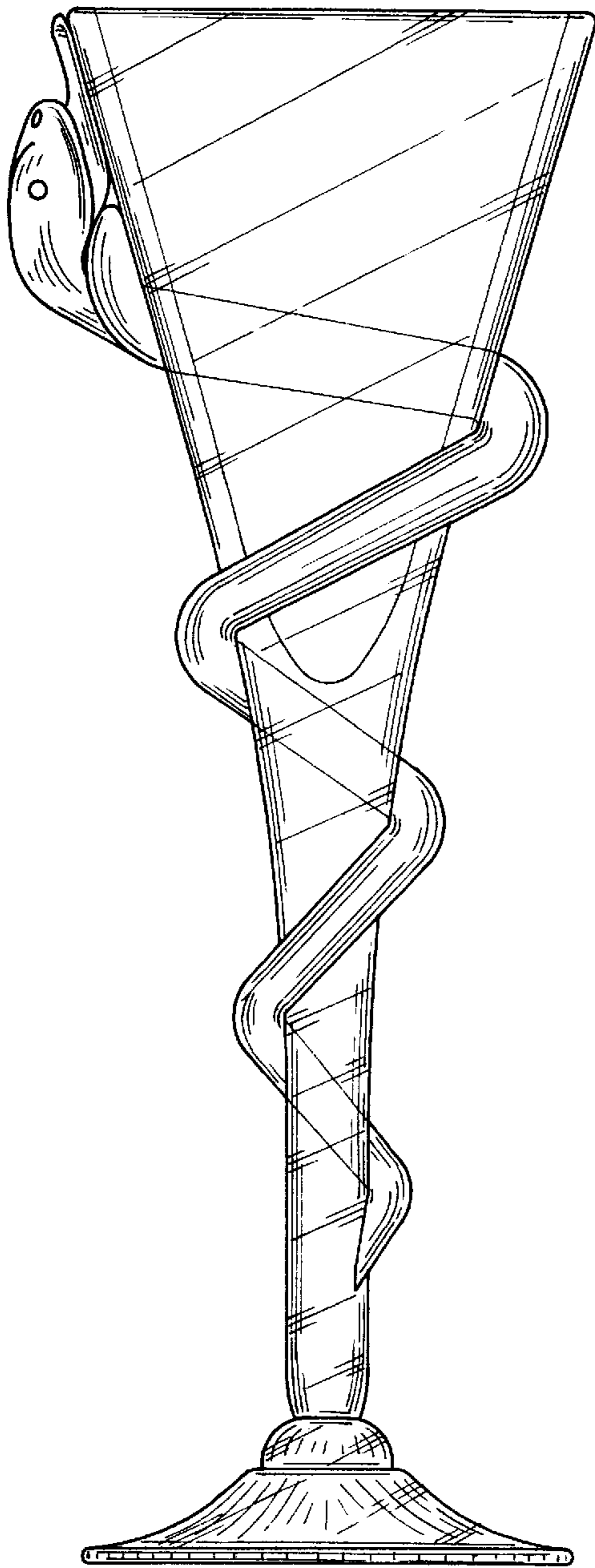


FIG. 4

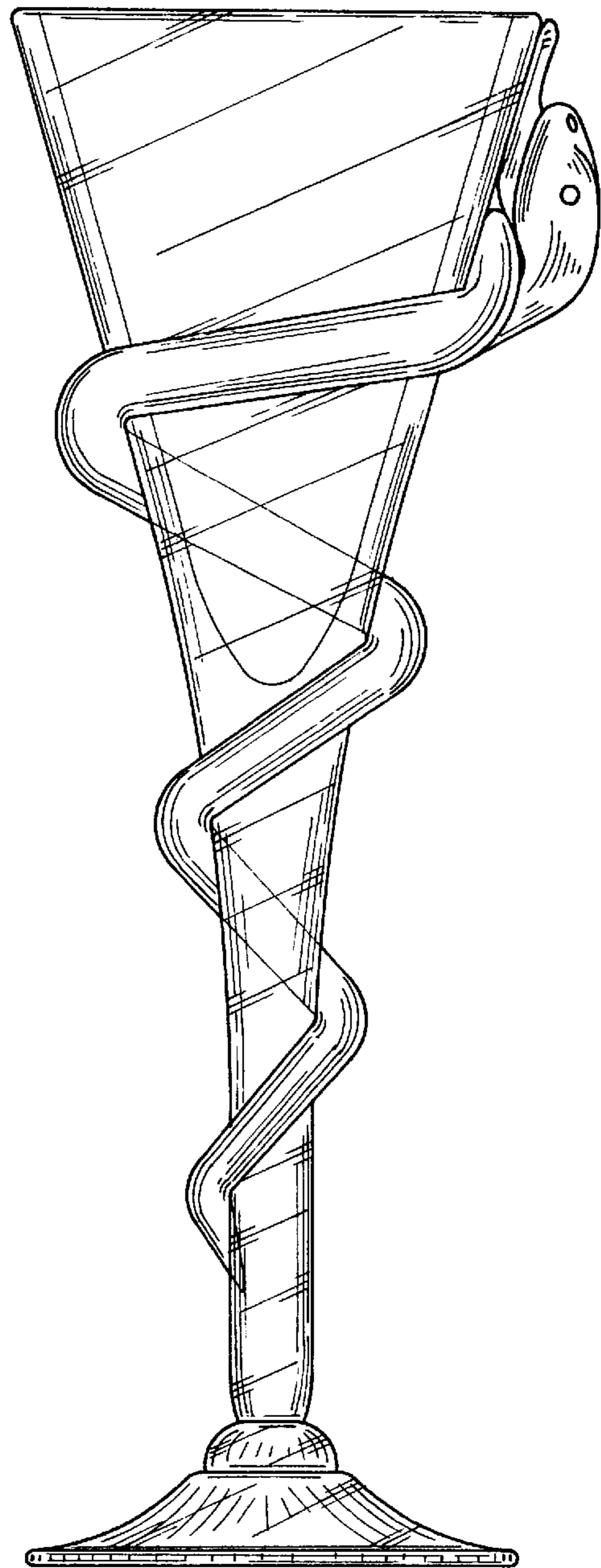


FIG. 5

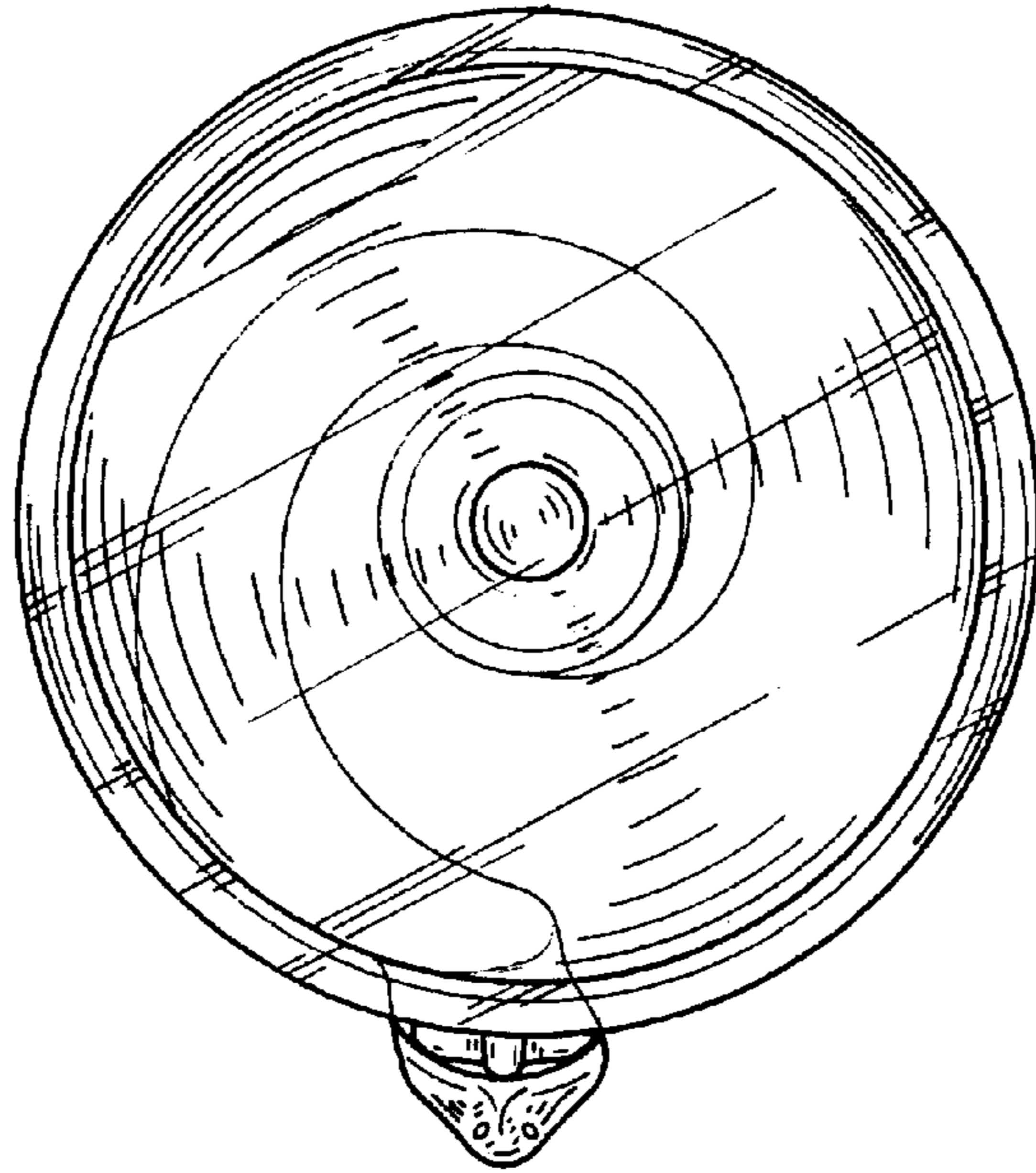


FIG. 6

