



US00D425367S

United States Patent [19] Cragg

[11] Patent Number: **Des. 425,367**

[45] Date of Patent: **** May 23, 2000**

[54] **BARBECUE GRILL SHAPED LIKE A FOOTBALL**

[76] Inventor: **Brandon Cragg**, 119 Merriam Ave.,
Newton, N.J. 07860

[**] Term: **14 Years**

[21] Appl. No.: **29/107,988**

[22] Filed: **Jul. 17, 1999**

[51] **LOC (7) Cl.** **07-02**

[52] **U.S. Cl.** **D7/402; D7/332**

[58] **Field of Search** D7/332-337, 402;
D21/610, 654, 708, 712, 714, 533, 548,
549, 580; D11/157-158, 163, 357; 126/25 R,
25 A, 25 AA, 29-30, 9 R, 39 R; 99/419,
421 R; 446/268, 431, 465, 470

[56] **References Cited**

U.S. PATENT DOCUMENTS

D. 258,125	2/1981	Bailey	D11/157
D. 314,882	2/1991	Bethel, Jr.	D7/334
D. 355,460	2/1995	Routzong et al.	D21/712
D. 373,282	9/1996	Cordero	D7/334
D. 385,146	10/1997	Fielding et al.	D7/332

D. 393,492	4/1998	Wormer	D21/357
D. 396,599	8/1998	Smith, Jr.	D7/332
D. 400,668	11/1998	Bloom	D23/379
D. 418,004	12/1999	Taylor, Jr.	D7/332
D. 418,359	1/2000	Taylor, Jr.	D7/332

Primary Examiner—Ruth McInroy
Attorney, Agent, or Firm—Robert M. Downey, P.A.

[57] **CLAIM**

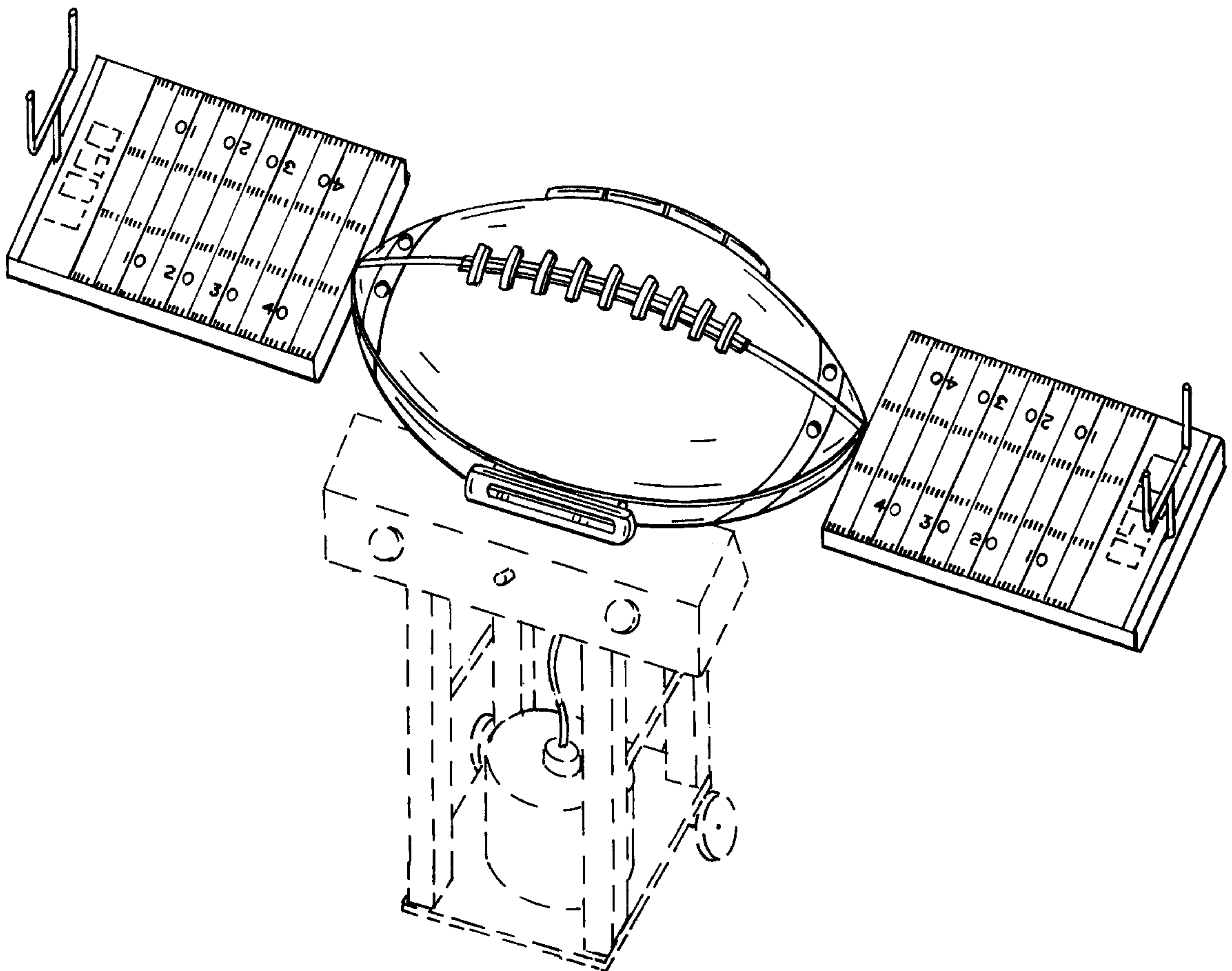
The ornamental design for a barbecue grill shaped like a football, as shown and described.

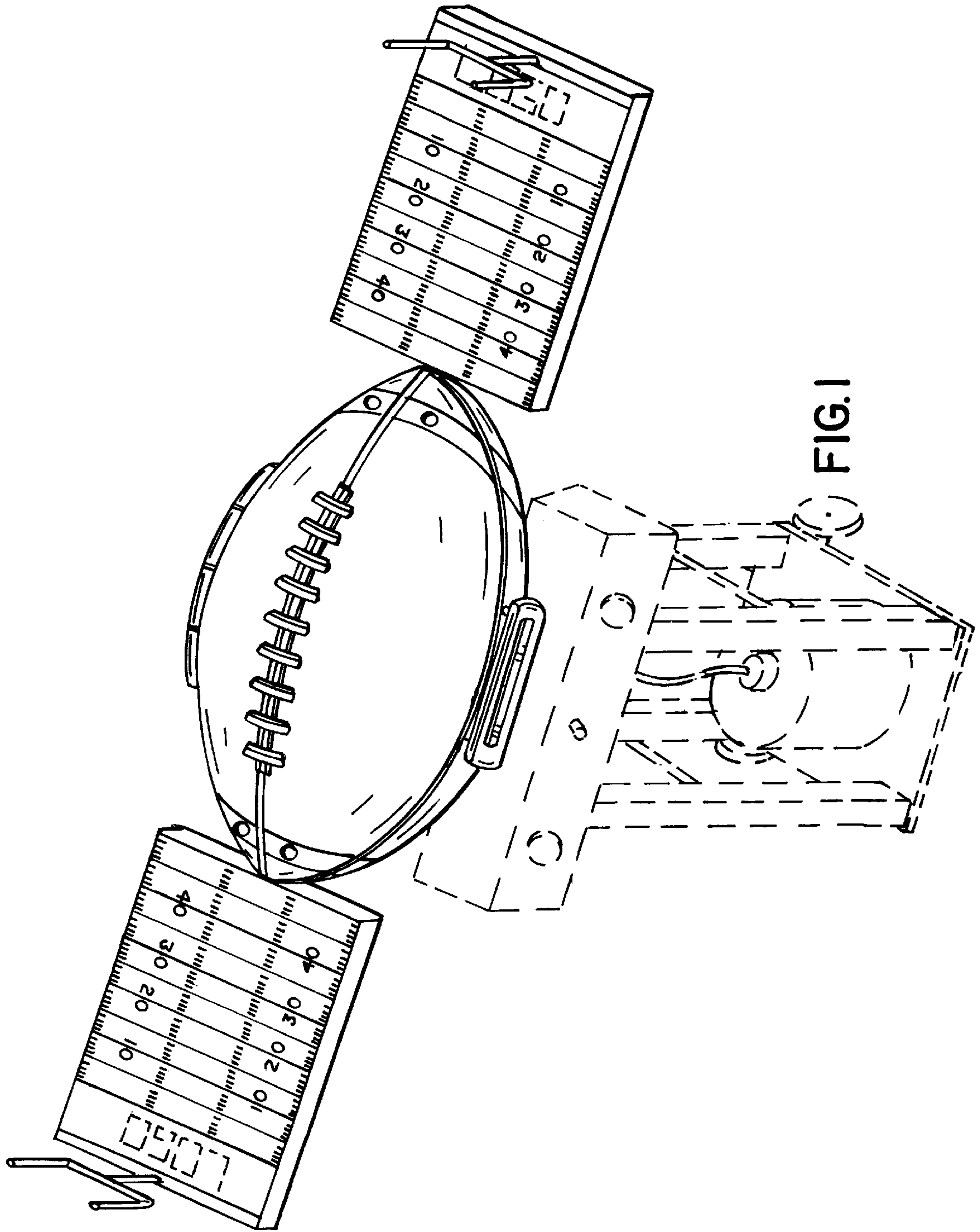
DESCRIPTION

FIG. 1 is a top, front perspective view of a barbecue grill shaped like a football showing my new design; FIG. 2 is a right side elevational view thereof, the left side elevational view being identical thereto; FIG. 3 is a top plan view thereof; FIG. 4 is a front elevational view thereof; FIG. 5 is a rear elevational view thereof; and, FIG. 6 is a bottom plan view thereof.

The broken lines showing the barbecue cart including the console panel, the gas tank, and the logos are for illustrative purposes only and form no part of the claimed design.

1 Claim, 4 Drawing Sheets





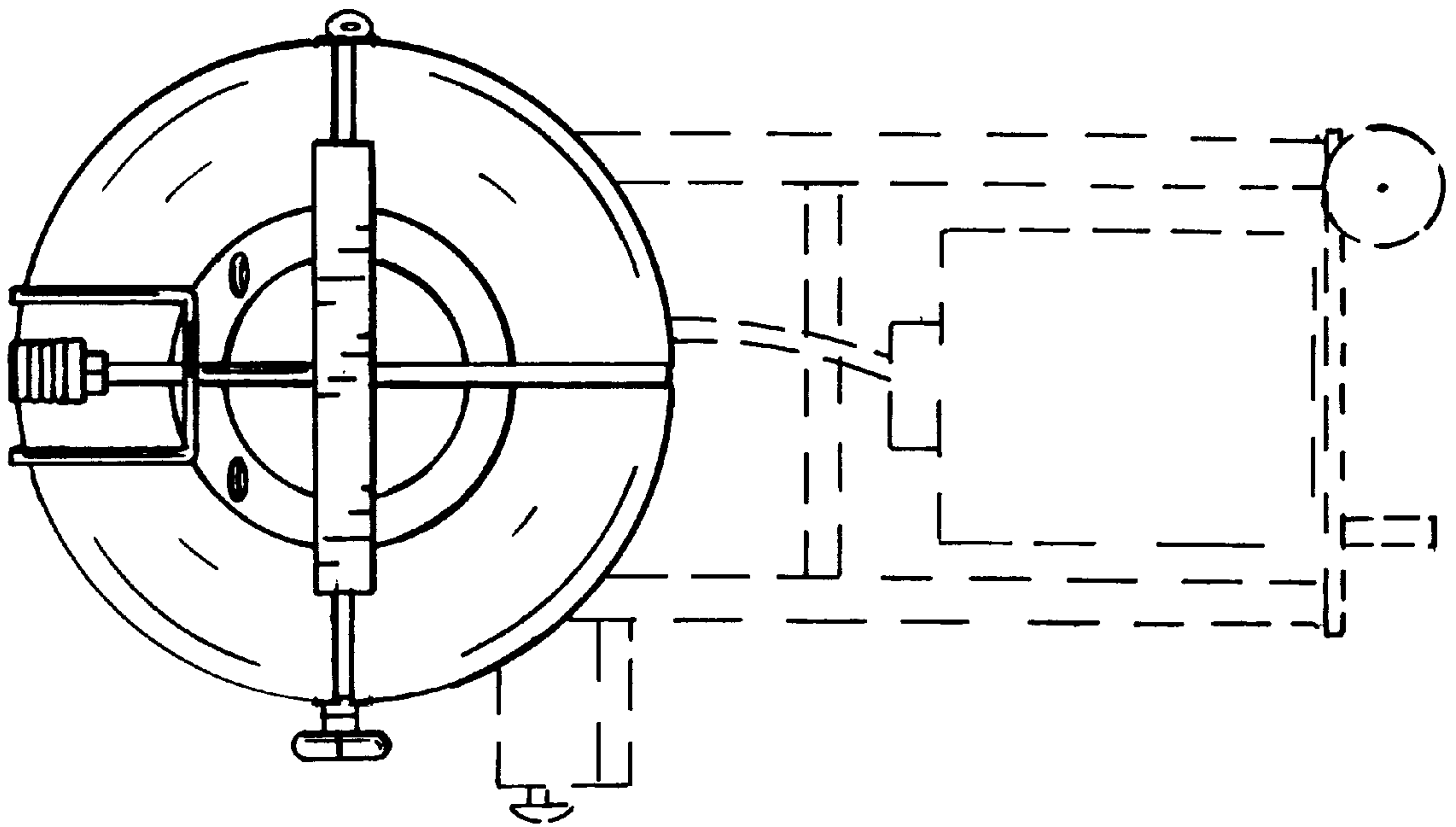


FIG. 2

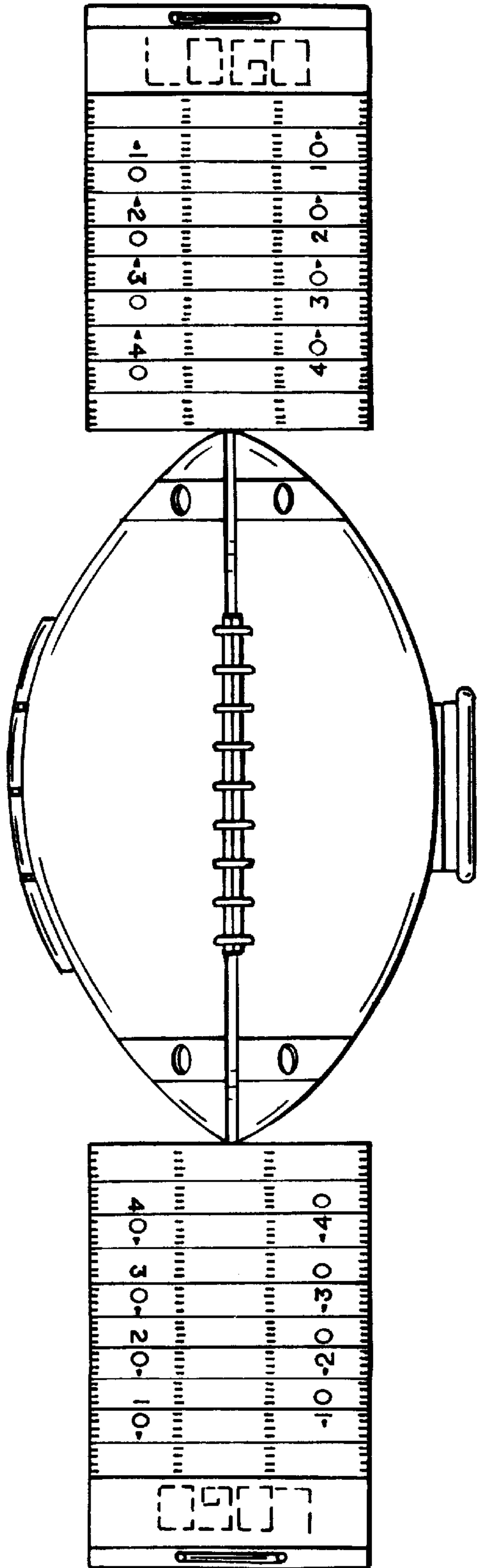


FIG. 3

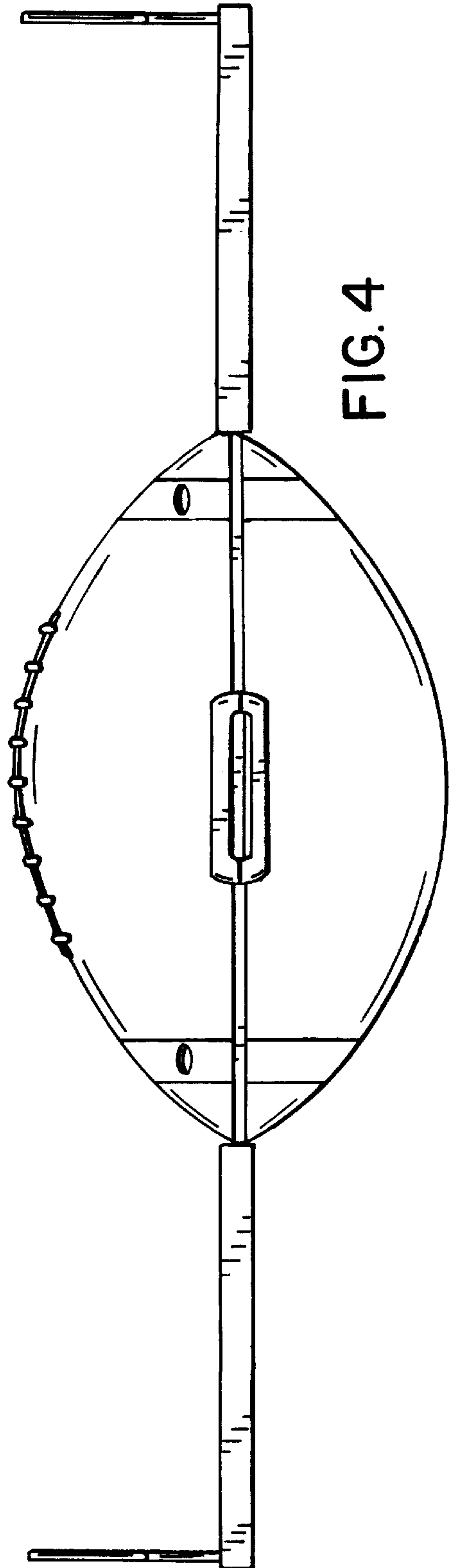


FIG. 4

