



US00D425362S

United States Patent [19]

[11] Patent Number: **Des. 425,362**

Meyers et al.

[45] Date of Patent: **** May 23, 2000**

[54] **SPORT BOTTLE LID**

[75] Inventors: **Brenda J. Meyers**, Reedsburg; **Gerald A. Thoe**, Chippewa Falls; **William J. Meuleners**, Menomonie, all of Wis.; **Michael W. Horvath**, Cottage Grove, Minn.

[73] Assignee: **Gerber Products Company**, Fremont, Mich.

[**] Term: **14 Years**

[21] Appl. No.: **29/095,692**

[22] Filed: **Oct. 28, 1998**

[51] **LOC (7) Cl.** **07-99**

[52] **U.S. Cl.** **D7/392; D7/392.1**

[58] **Field of Search** D7/510, 511, 391, D7/392, 392.1; D9/447, 444, 445; 220/729, 715, 713, 711

[56] References Cited

U.S. PATENT DOCUMENTS

D. 206,971	2/1967	Williams .	
D. 218,733	9/1970	Innuar et al.	D9/446
D. 247,848	5/1978	Croyle	9/447
D. 258,565	3/1981	Sekiguchi .	
D. 332,215	1/1993	Halvorson .	
D. 346,718	5/1994	Timmermans .	
D. 374,399	10/1996	Neveras et al.	D9/447
D. 391,448	3/1998	Winer et al.	D7/510
D. 414,984	10/1999	Joergensen	D7/392
D. 415,654	10/1999	Forrer	D7/510
2,753,051	7/1956	Tupper .	
3,117,702	1/1964	Henchert	D9/446 X

3,167,218	1/1965	Graham .	
3,297,192	1/1967	Swett .	
4,358,032	11/1982	Libit .	
5,065,911	11/1991	Rohr et al. .	
5,221,017	6/1993	Cistone et al. .	
5,244,113	9/1993	Symiest .	
5,277,325	1/1994	Yan .	
5,358,151	10/1994	Strasenburgh .	
5,588,561	12/1996	Ness	D9/446 X

Primary Examiner—M. N. Pandozzi
Attorney, Agent, or Firm—Price, Heneveld, Cooper, DeWitt & Litton

[57] CLAIM

The ornamental design for a sport bottle lid, as shown and described.

DESCRIPTION

FIG. 1 is a top perspective view of a sport bottle lid, showing our new design, wherein the top portion thereof is shown in an open position;

FIG. 2 is a bottom perspective view, with the top shown in the open position;

FIG. 3 is a top perspective view, with the top shown in a closed position;

FIG. 4 is a top plan view, with the top shown in the closed position;

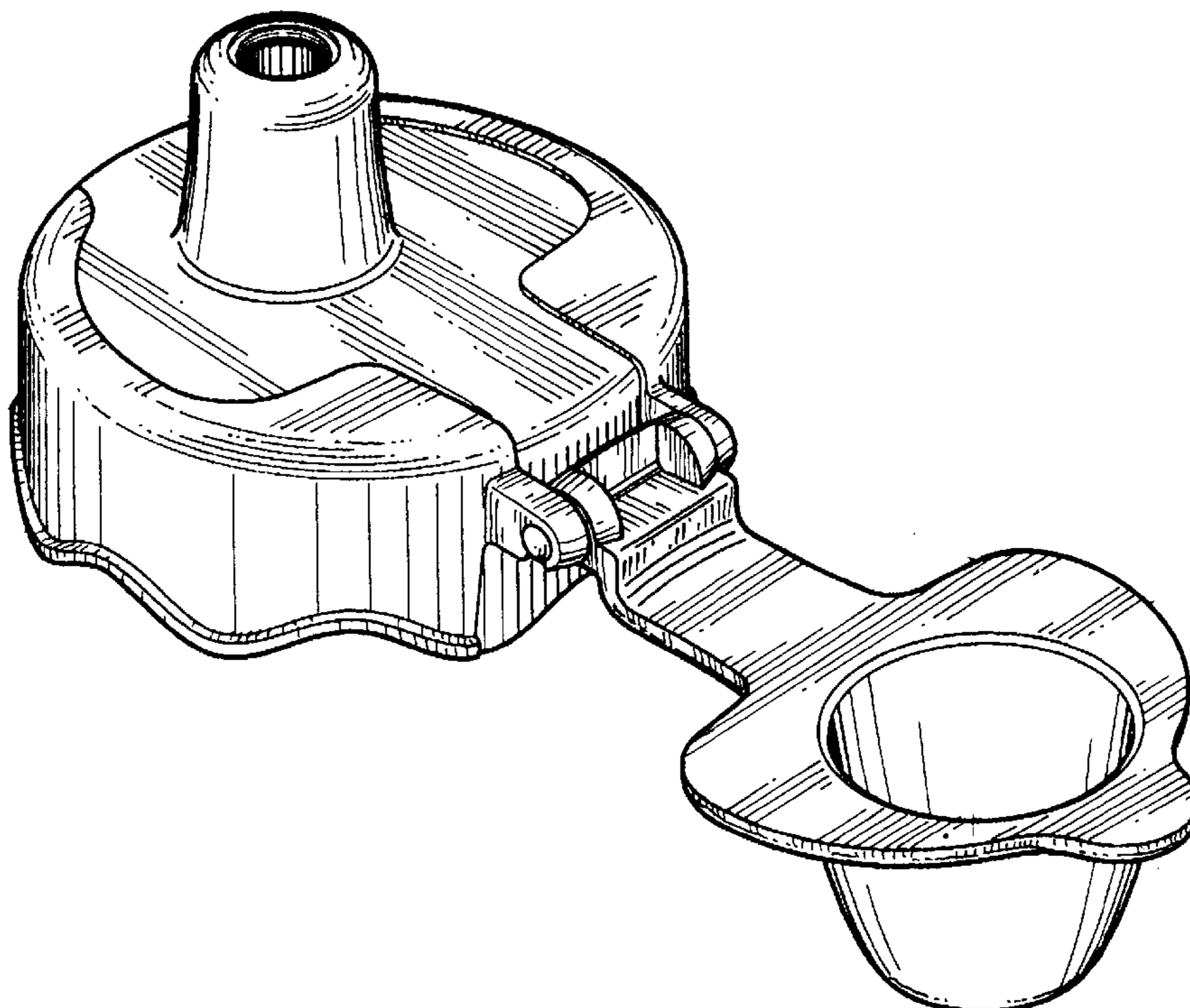
FIG. 5 is a right-hand side elevational view, with the top shown in the closed position, wherein the left-hand side elevational view is substantially identical;

FIG. 6 is a rear elevational view; and,

FIG. 7 is a front elevational view thereof.

The bottom plan view forms no part of the claimed design.

1 Claim, 3 Drawing Sheets



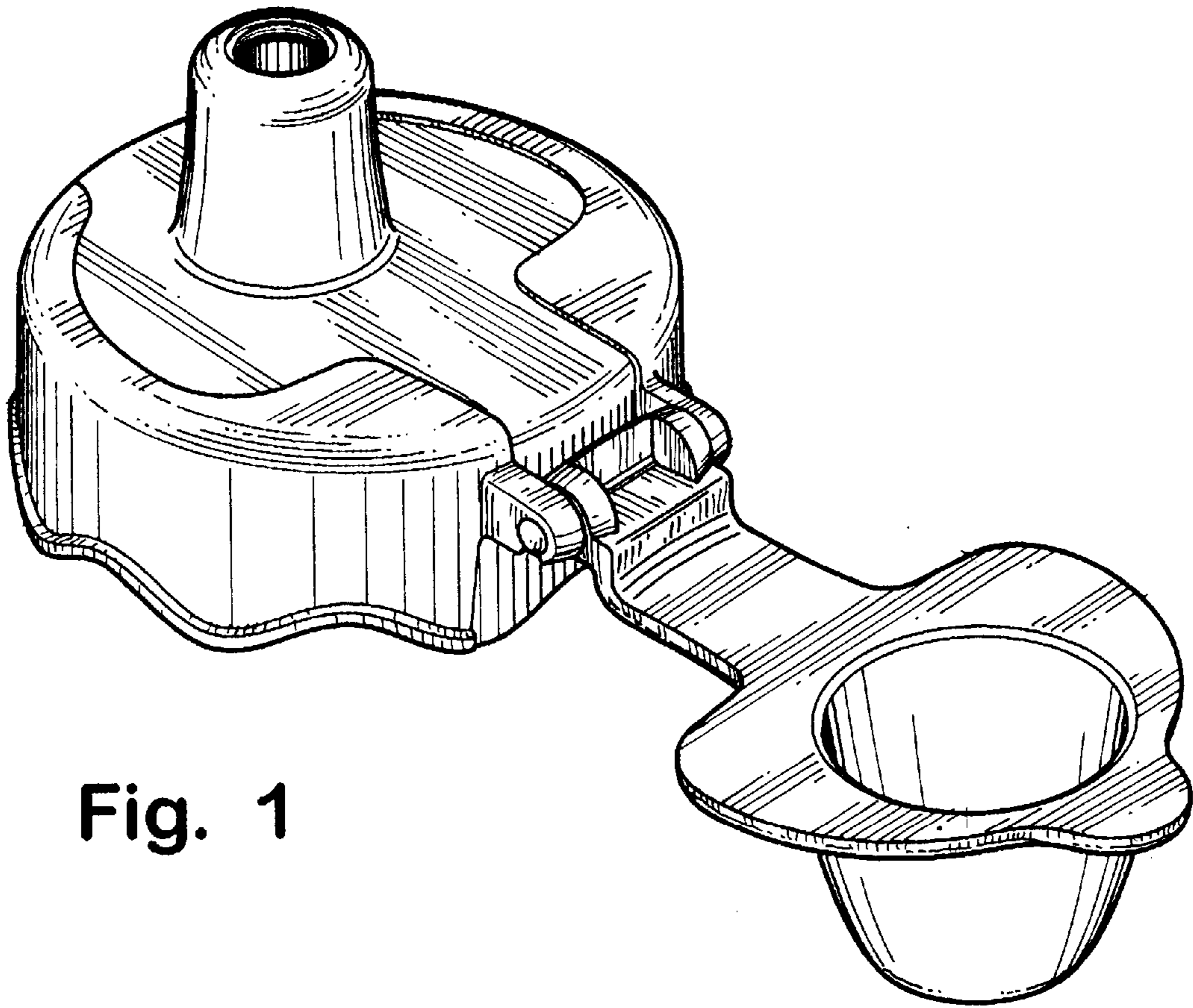


Fig. 1

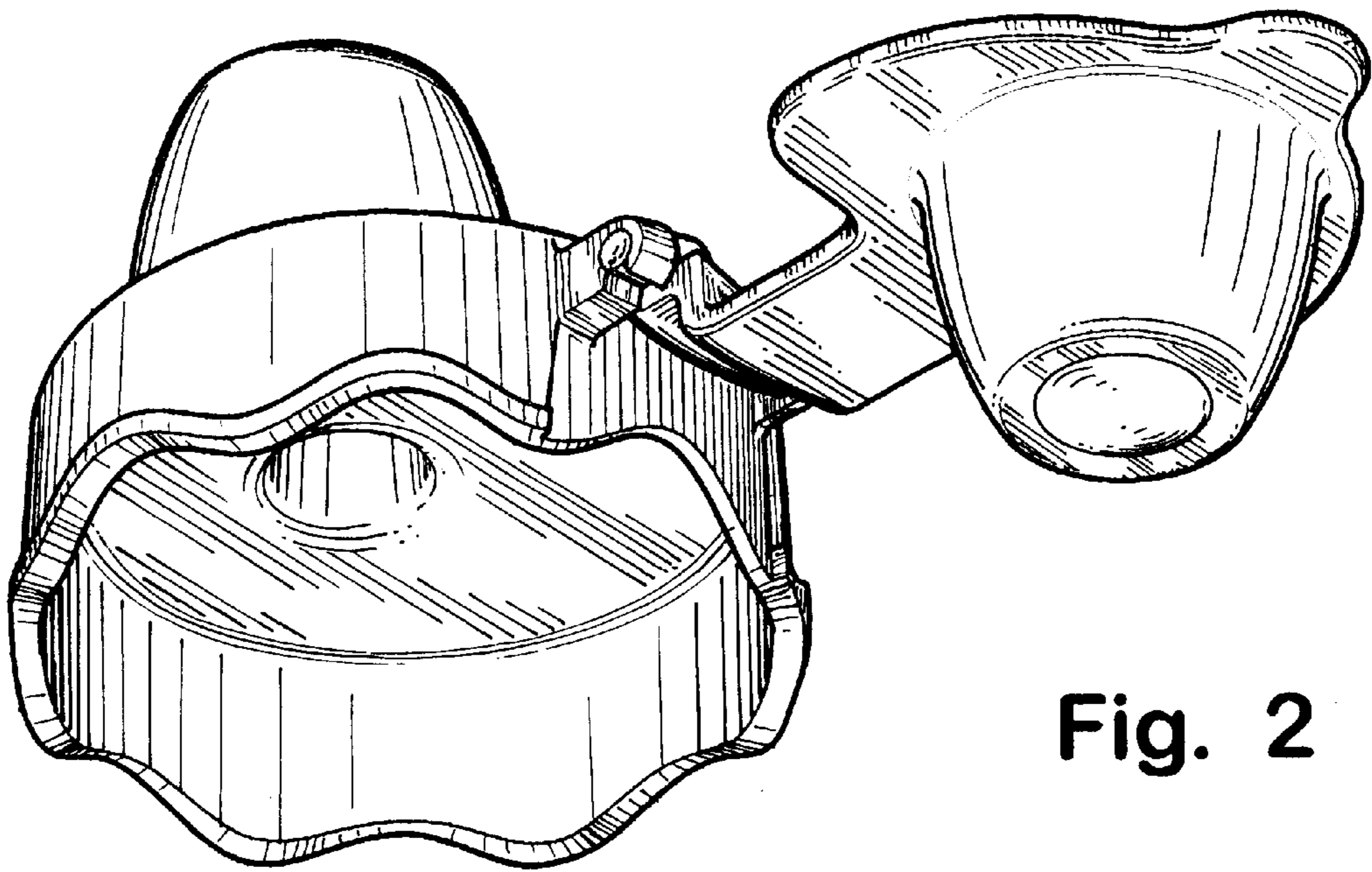


Fig. 2

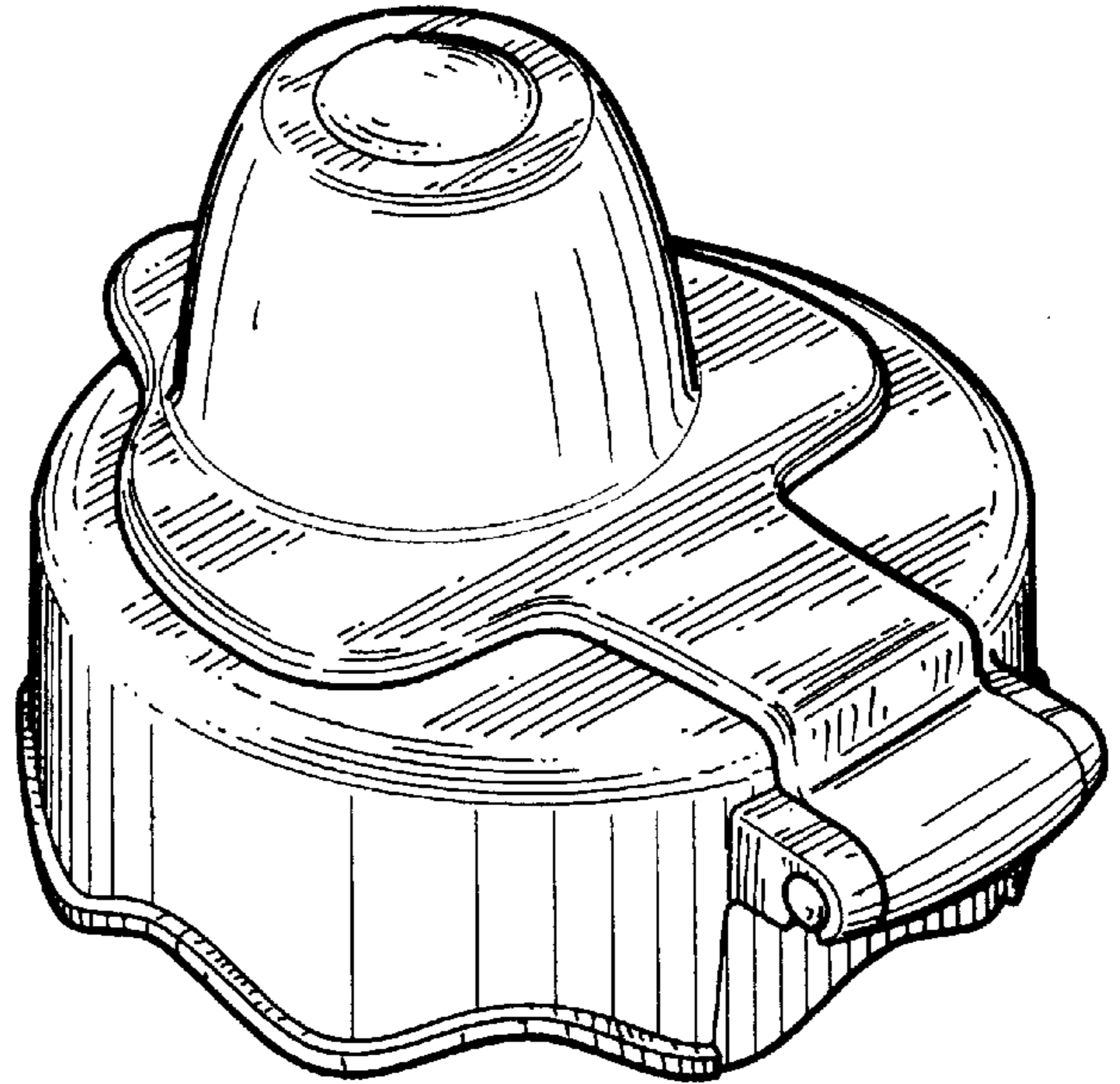


Fig. 3

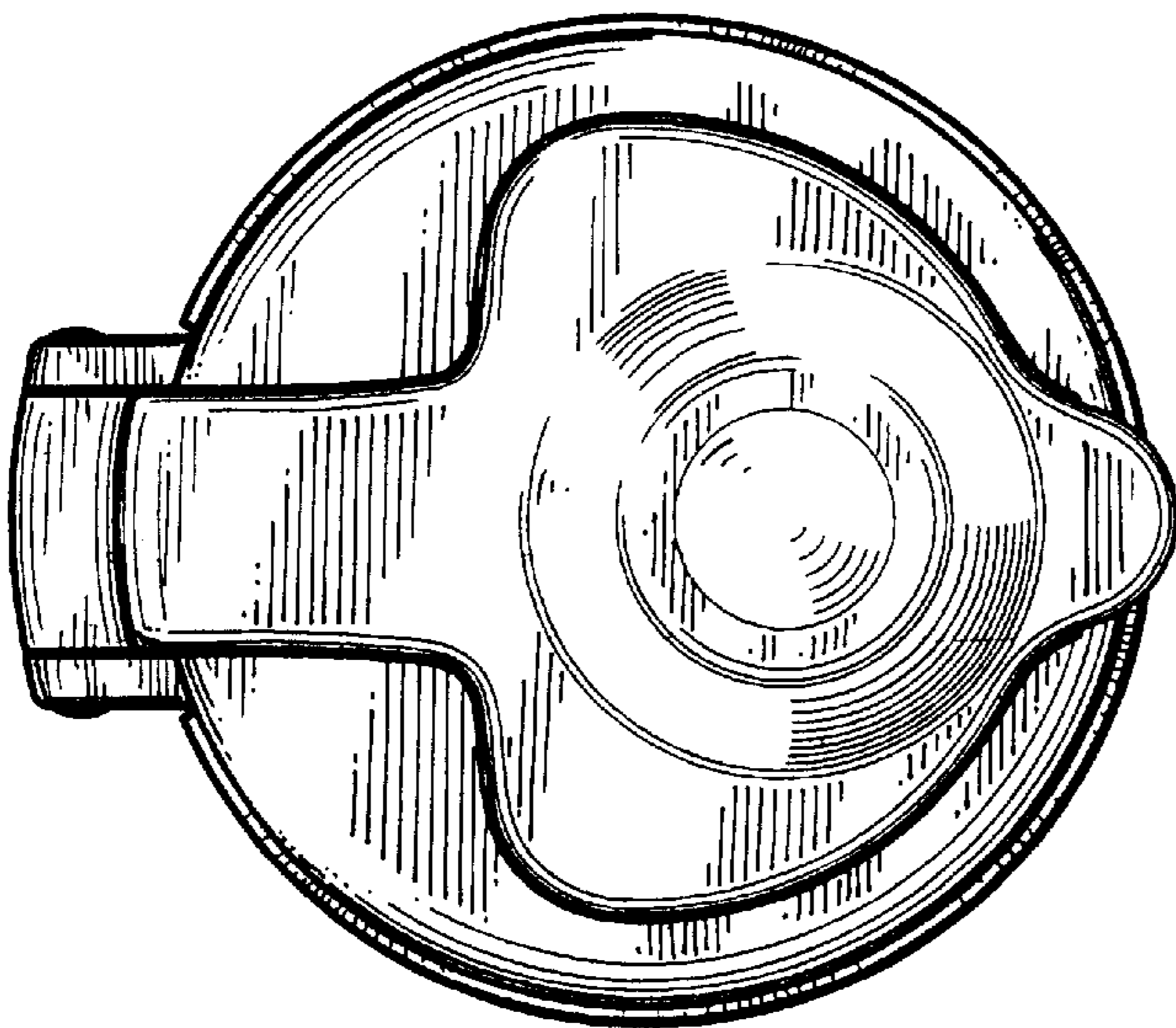


Fig. 4

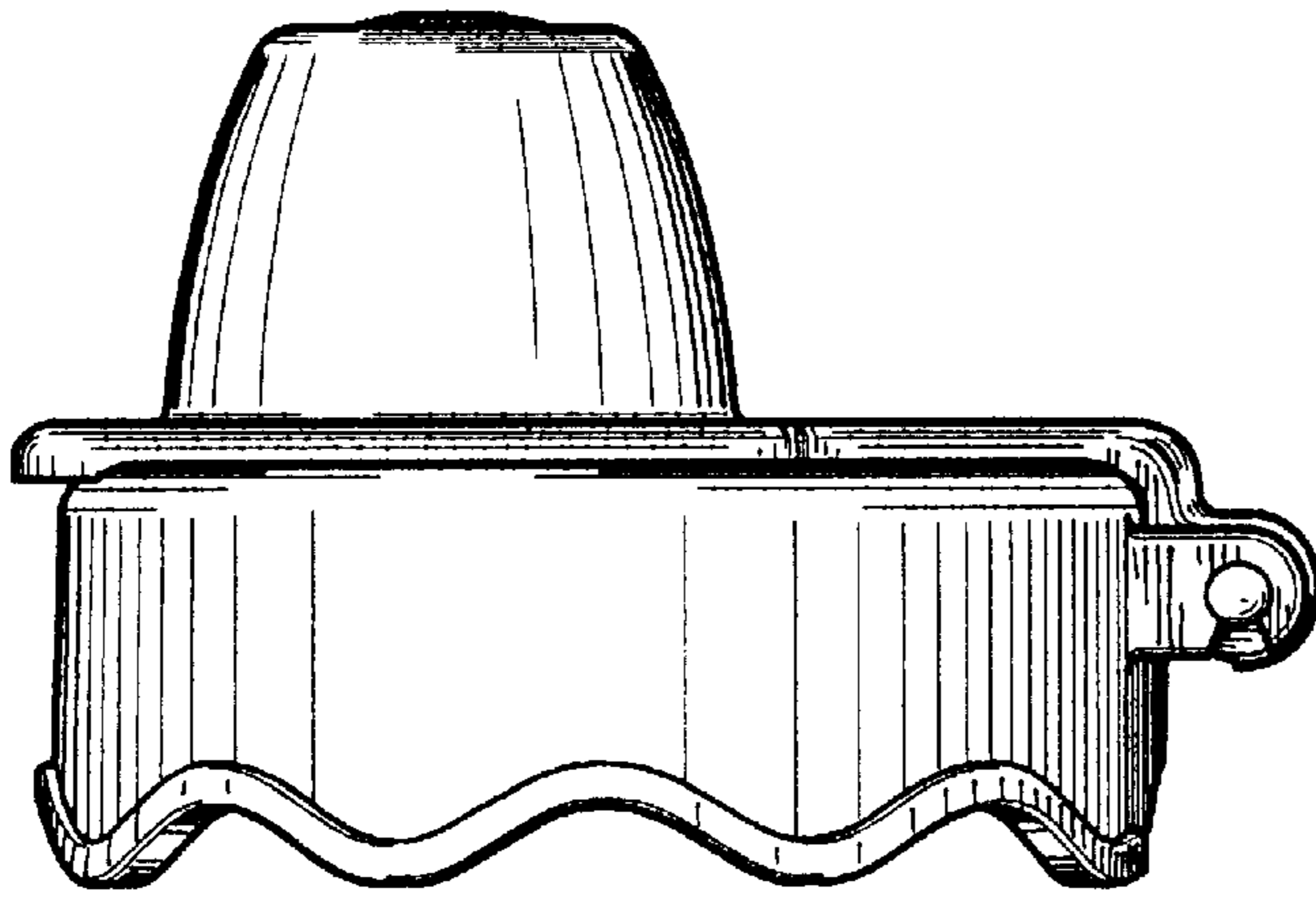


Fig. 5

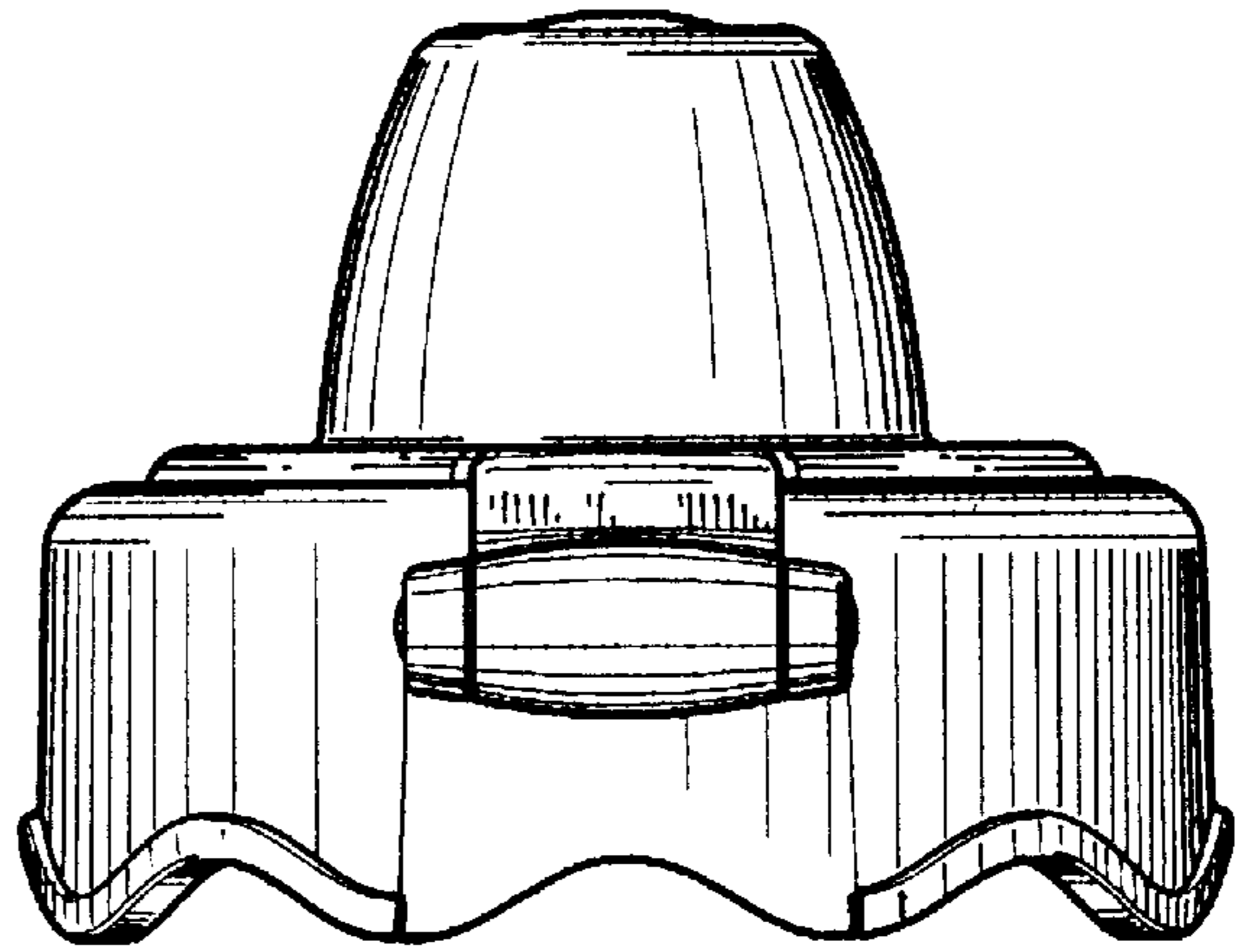


Fig. 6

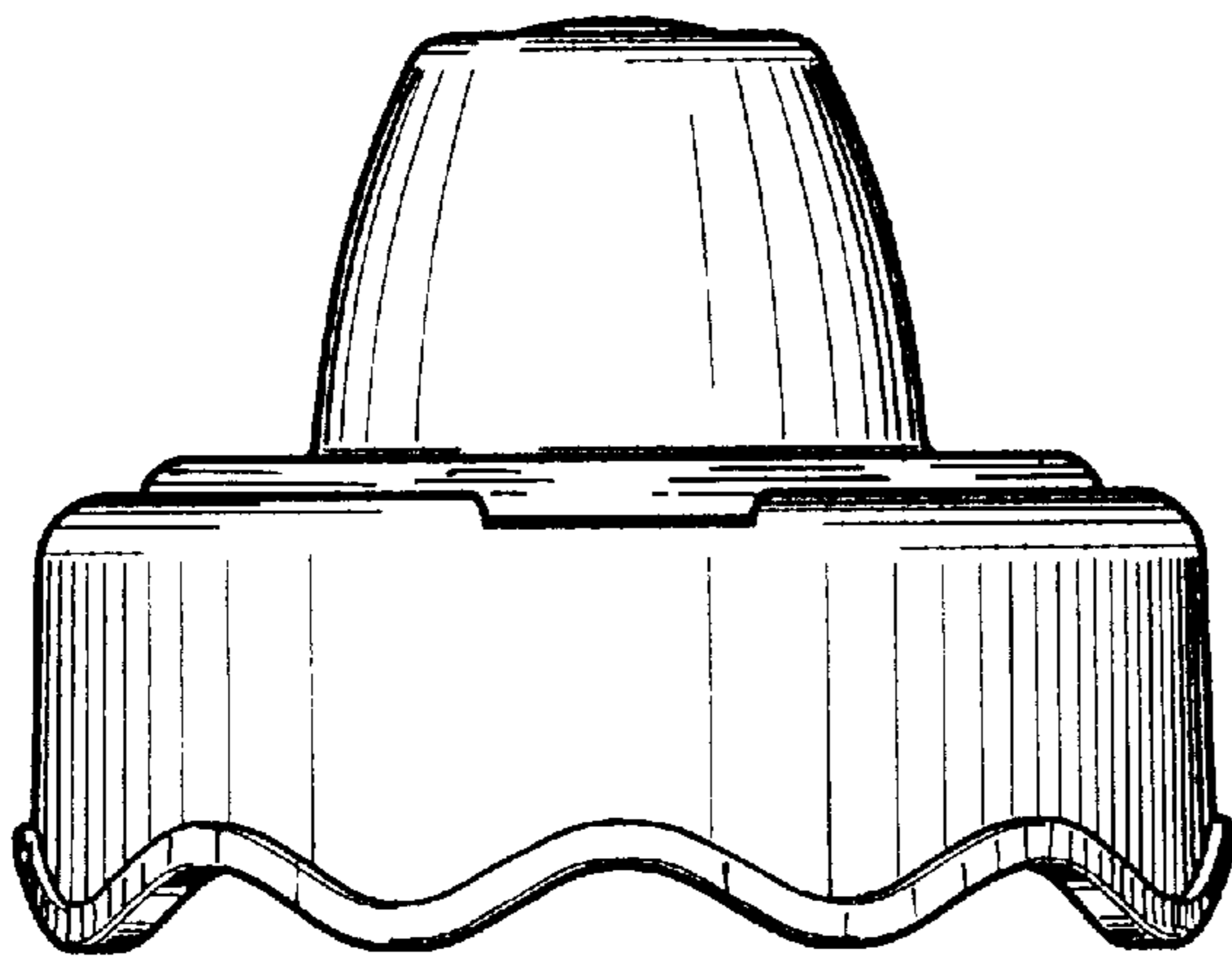


Fig. 7