



US00D425361S

United States Patent [19]
Lee

[11] **Patent Number: Des. 425,361**

[45] **Date of Patent: ** May 23, 2000**

[54] **ELECTRIC ICE CRUSHER**

[76] Inventor: **Ming-Hsiang Lee**, No. 4, Lane 263,
Sec. 2, Chien-Kang Rd., Tainan City,
Taiwan

[**] Term: **14 Years**

[21] Appl. No.: **29/103,539**

[22] Filed: **Apr. 15, 1999**

[51] **LOC (7) Cl.** **31-00**

[52] **U.S. Cl.** **D7/374**

[58] **Field of Search** D7/372, 373, 374,
D7/384, 309, 310, 665; 99/286, 304, 306,
586; 241/100, 249; 248/312.1

[56] **References Cited**

U.S. PATENT DOCUMENTS

D. 141,783 7/1945 Majewski, Jr. et al. D7/374

D. 333,412 2/1993 Levin D7/665
D. 366,385 1/1996 Alessi Anghii et al. D7/309
2,905,398 9/1959 De Angelis et al. 241/249

Primary Examiner—Robert M. Spear
Attorney, Agent, or Firm—Fish & Richardson P.C.

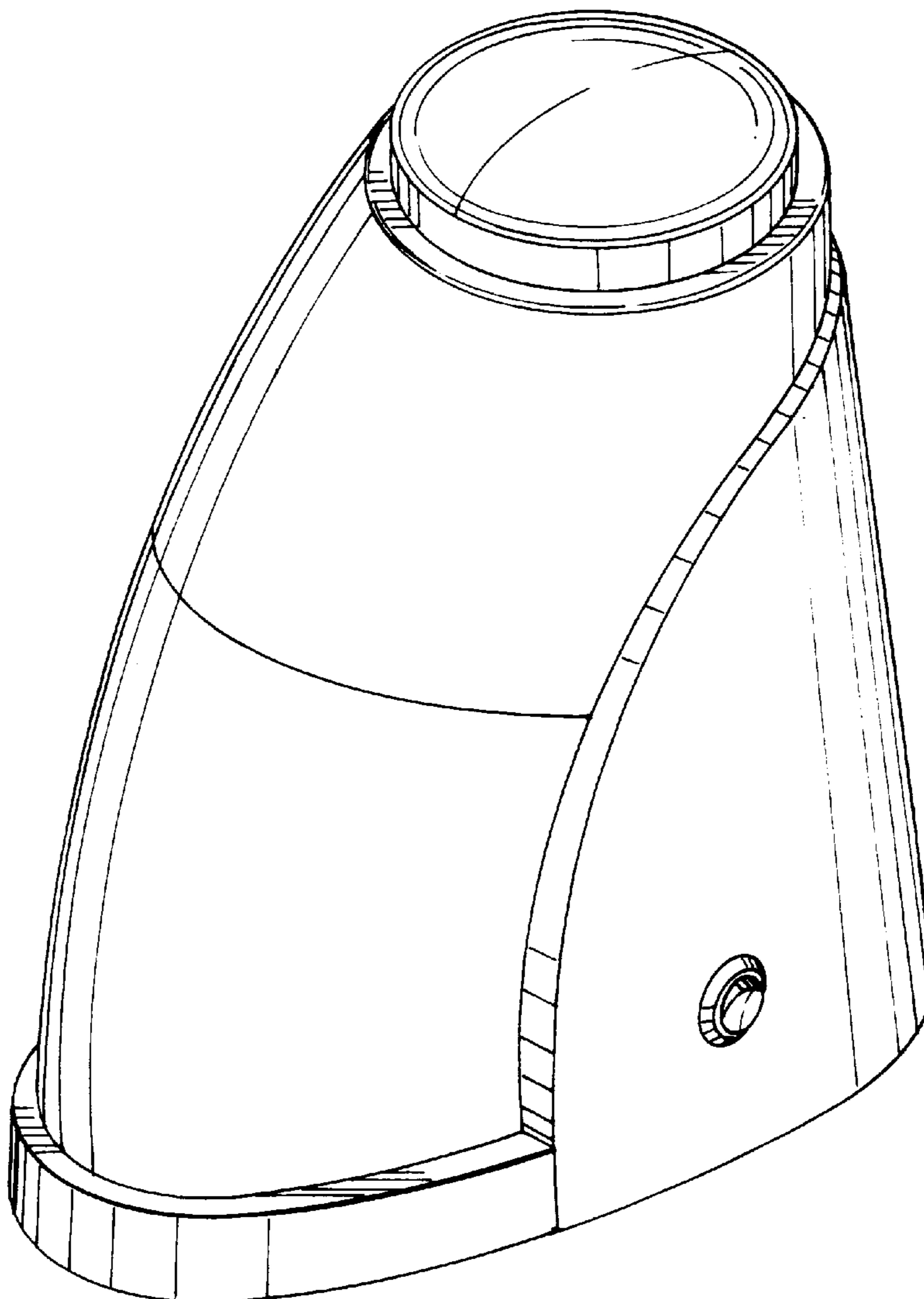
[57] **CLAIM**

The ornamental design for electric ice crusher, as shown and described.

DESCRIPTION

FIG. 1 is a perspective view of electric ice crusher showing my new design;
FIG. 2 is a front elevational view thereof;
FIG. 3 is a rear elevational view thereof;
FIG. 4 is a left side elevational view thereof;
FIG. 5 is a right side elevational view thereof; and,
FIG. 6 is a top plan view thereof.

1 Claim, 4 Drawing Sheets



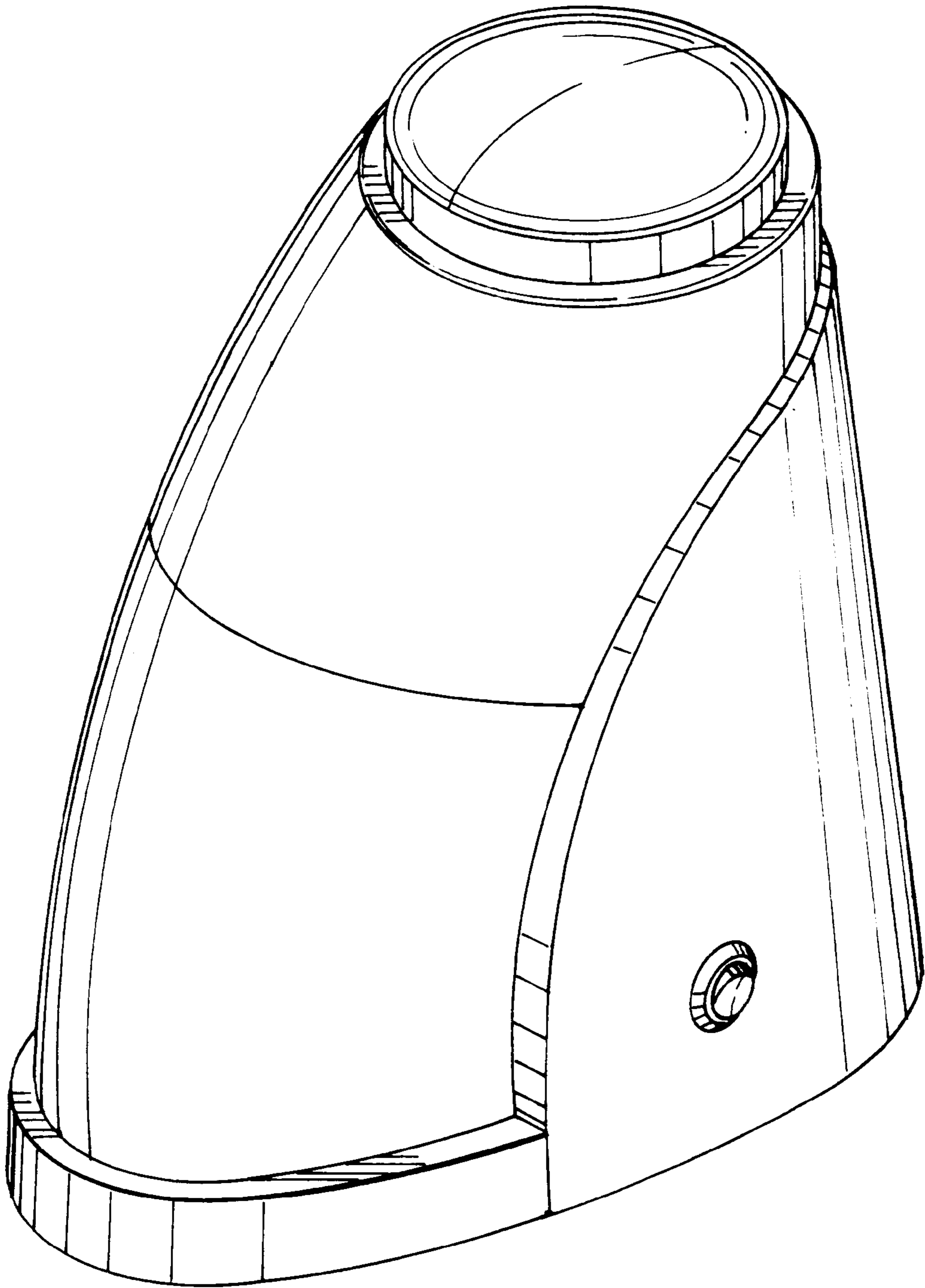


FIG. 1

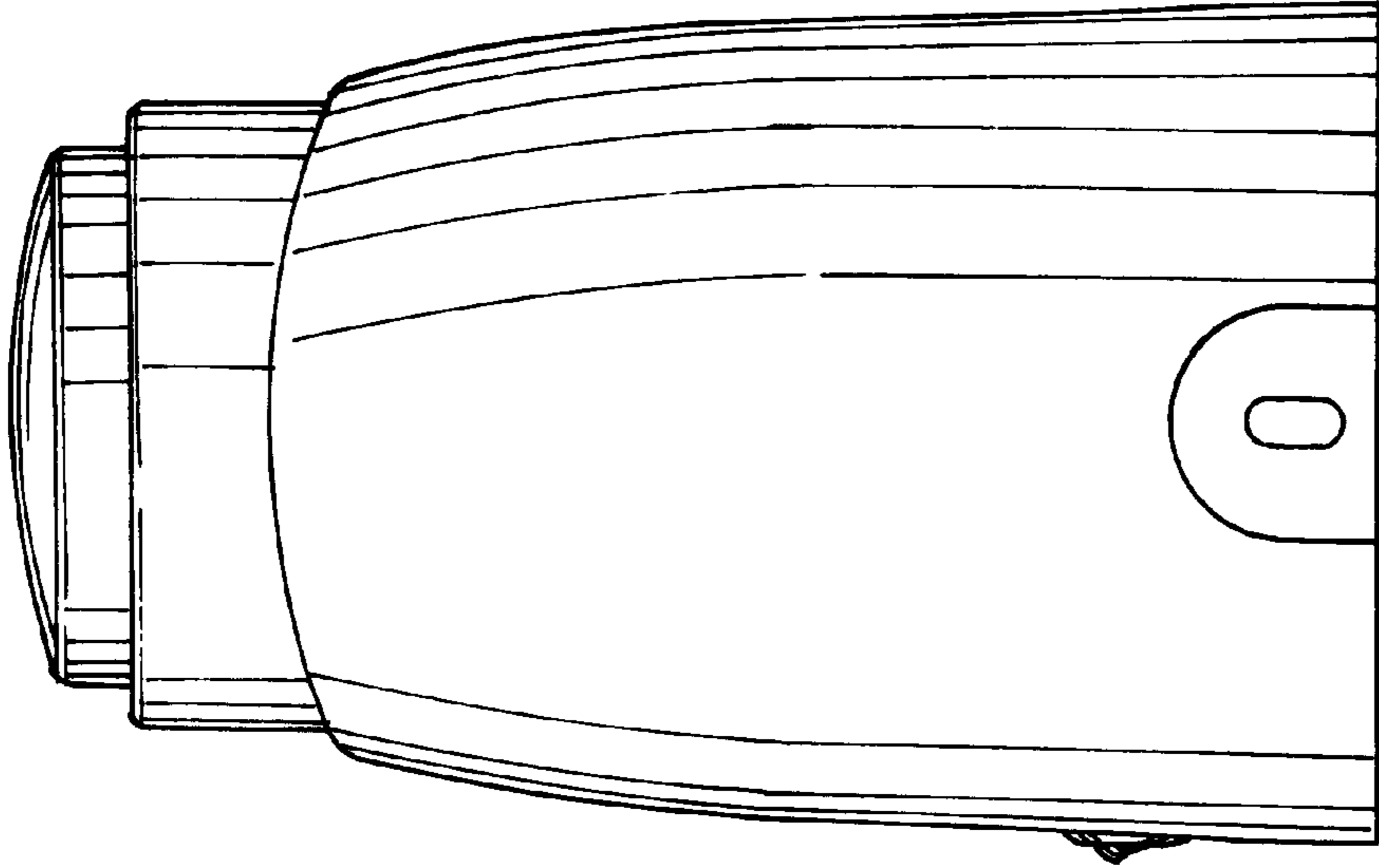


FIG. 3

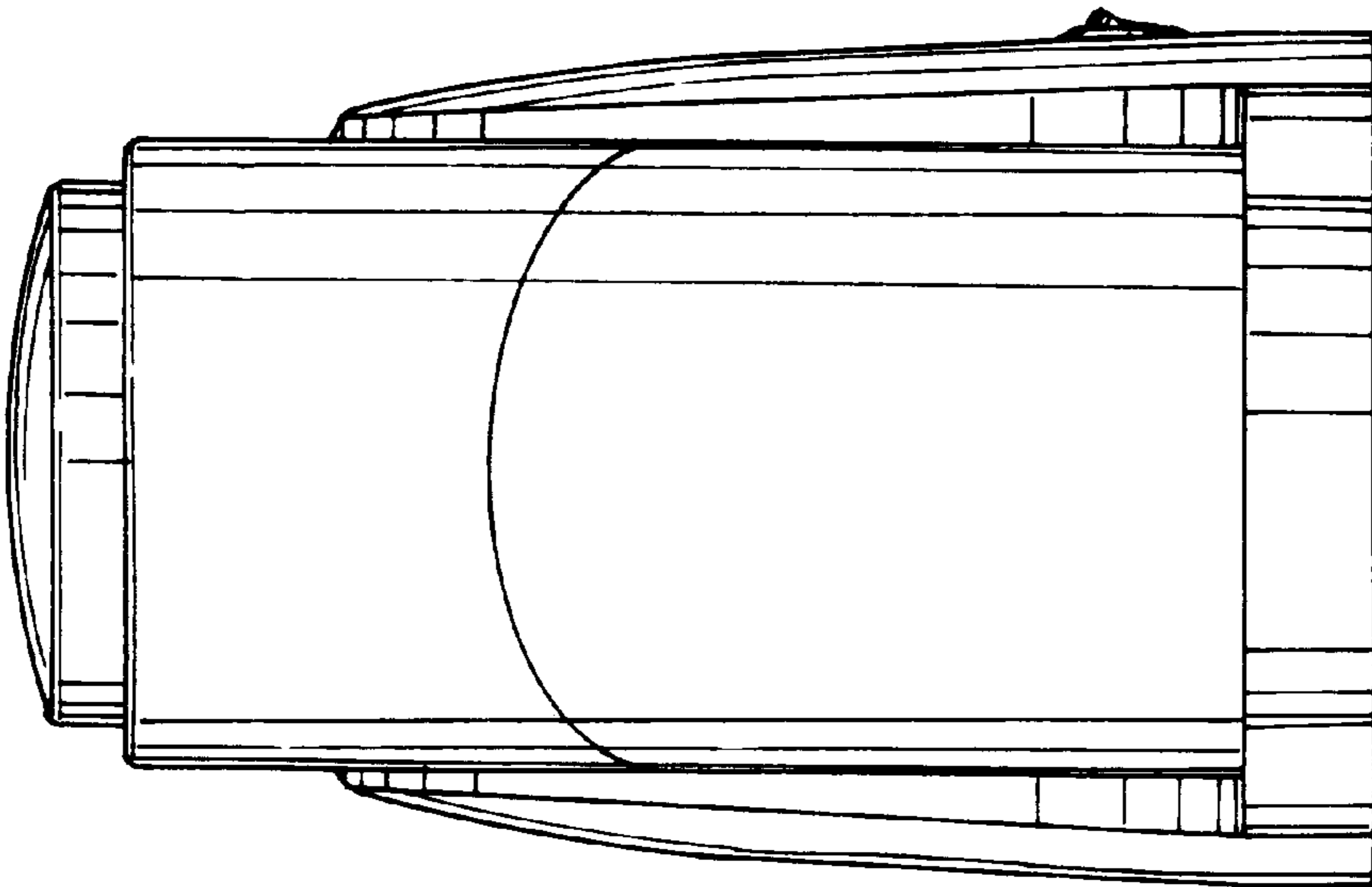


FIG. 2

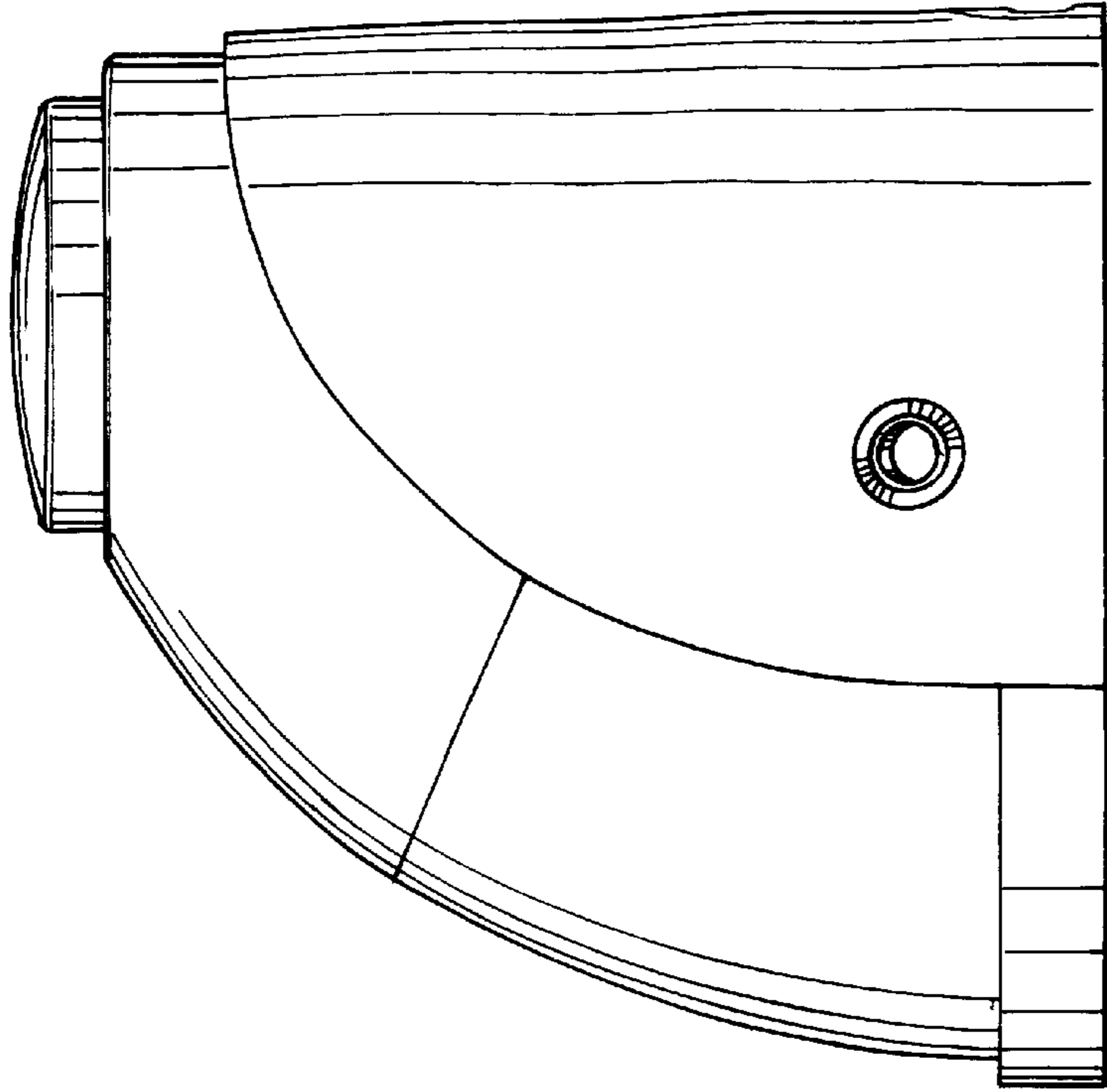


FIG. 5

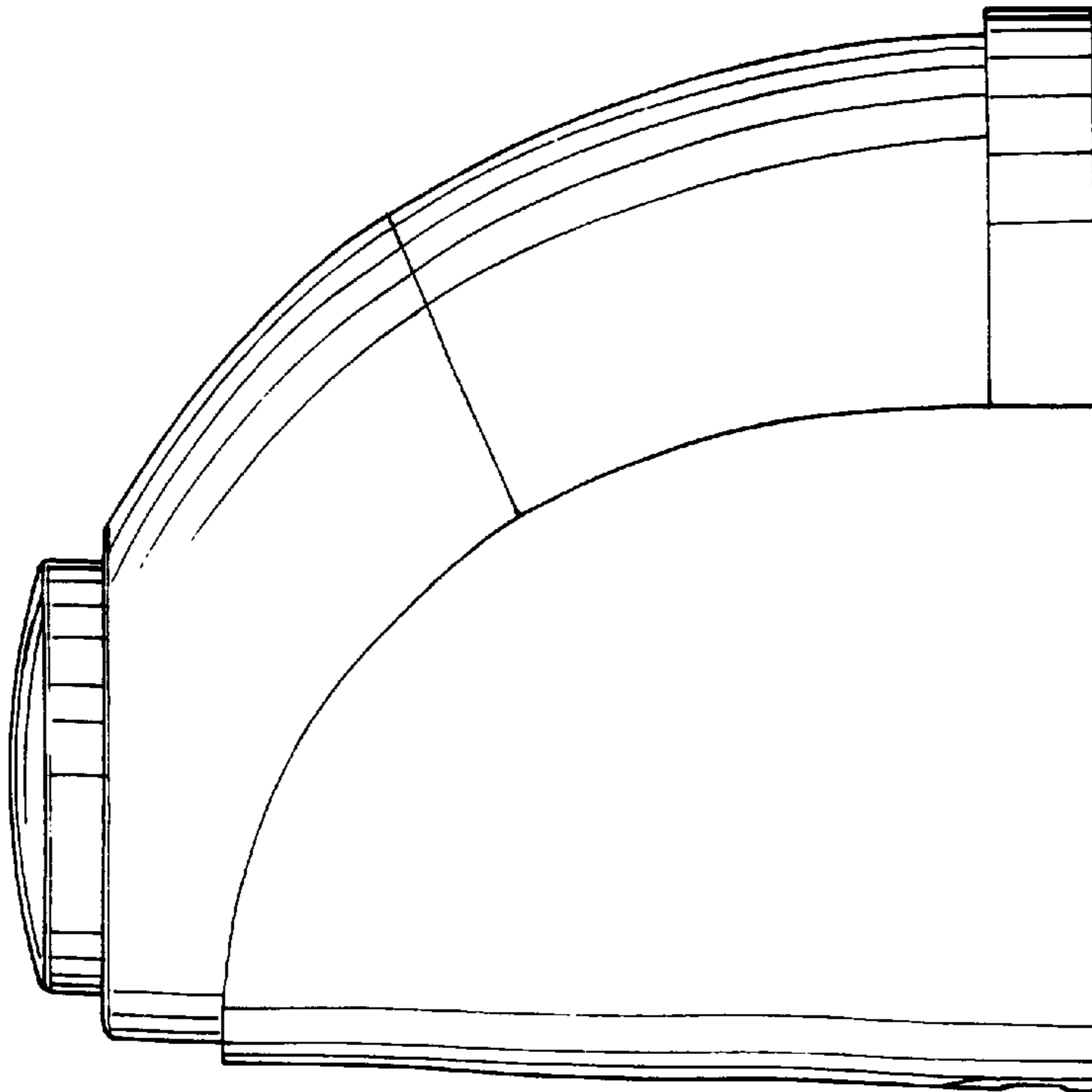


FIG. 4

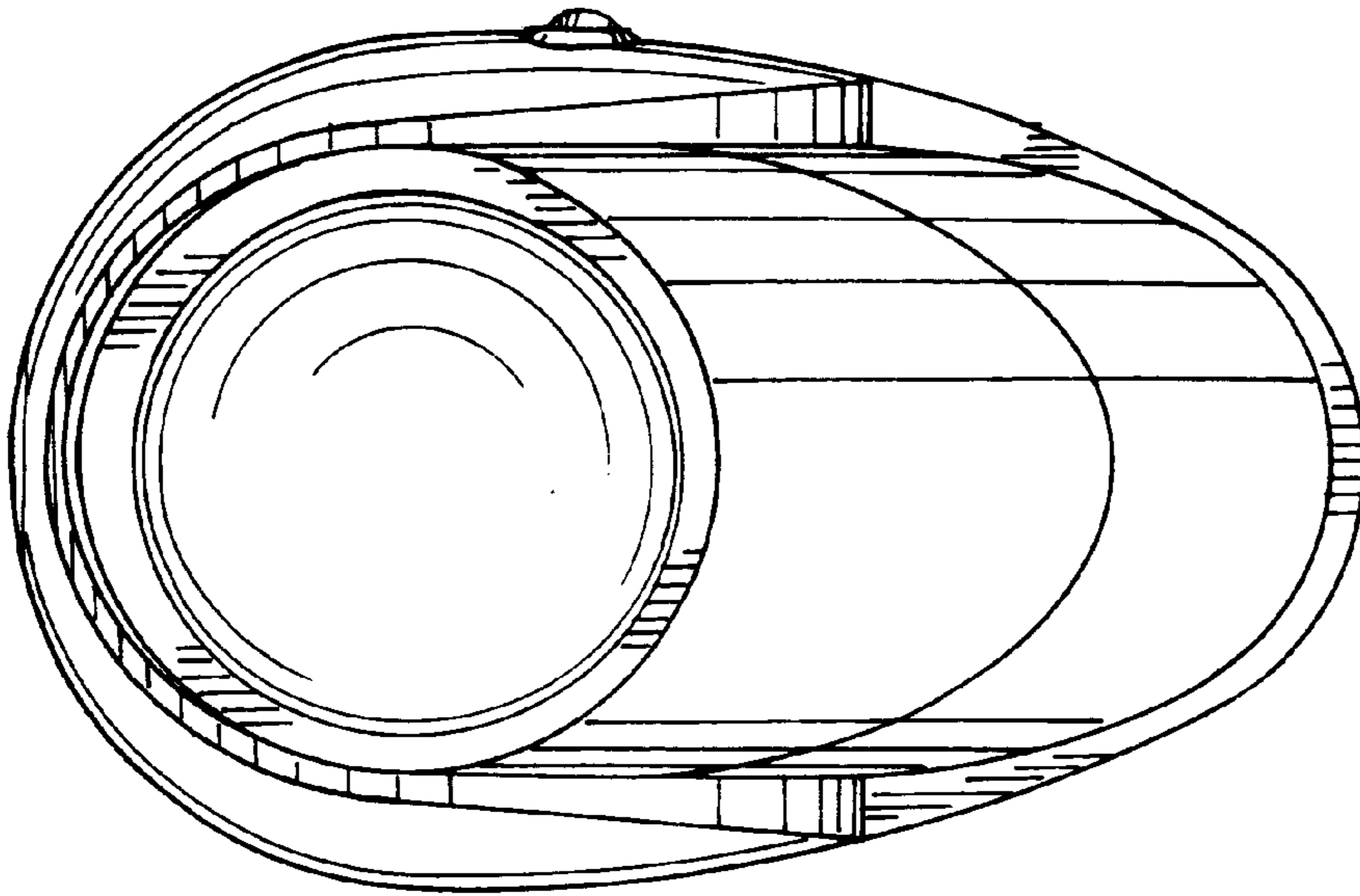


FIG.6