



US00D425352S

United States Patent [19]
Paskan

[11] **Patent Number: Des. 425,352**

[45] **Date of Patent: ** May 23, 2000**

[54] **BASEBALL DISPLAY CASE**

[76] Inventor: **Steven E. Paskan**, 12456 Huntoon Rd.,
Concord Township, Ohio 44077

[**] Term: **14 Years**

[21] Appl. No.: **29/108,850**

[22] Filed: **Aug. 5, 1999**

[51] **LOC (7) Cl. 08-08**

[52] **U.S. Cl. D6/552**

[58] **Field of Search D6/552; 206/315.1,**
206/315.9; 211/13.1, 14

[56] **References Cited**

U.S. PATENT DOCUMENTS

D. 285,147	8/1986	LeCocq, Jr.	D6/552
D. 334,886	4/1993	Cortelli et al.	D6/552
D. 346,520	5/1994	Barfield	D6/552
D. 390,737	2/1998	Strnad	D6/552
5,413,228	5/1995	Le Clerc	211/13.1

Primary Examiner—Brian N. Vinson
Attorney, Agent, or Firm—James A. Hudak

[57] **CLAIM**

I claim the ornamental design for a baseball display case, as shown and described.

DESCRIPTION

FIG. 1 is a perspective view of a baseball display case, showing my new design;

FIG. 2 is a top plan view thereof;

FIG. 3 is a front elevational view thereof;

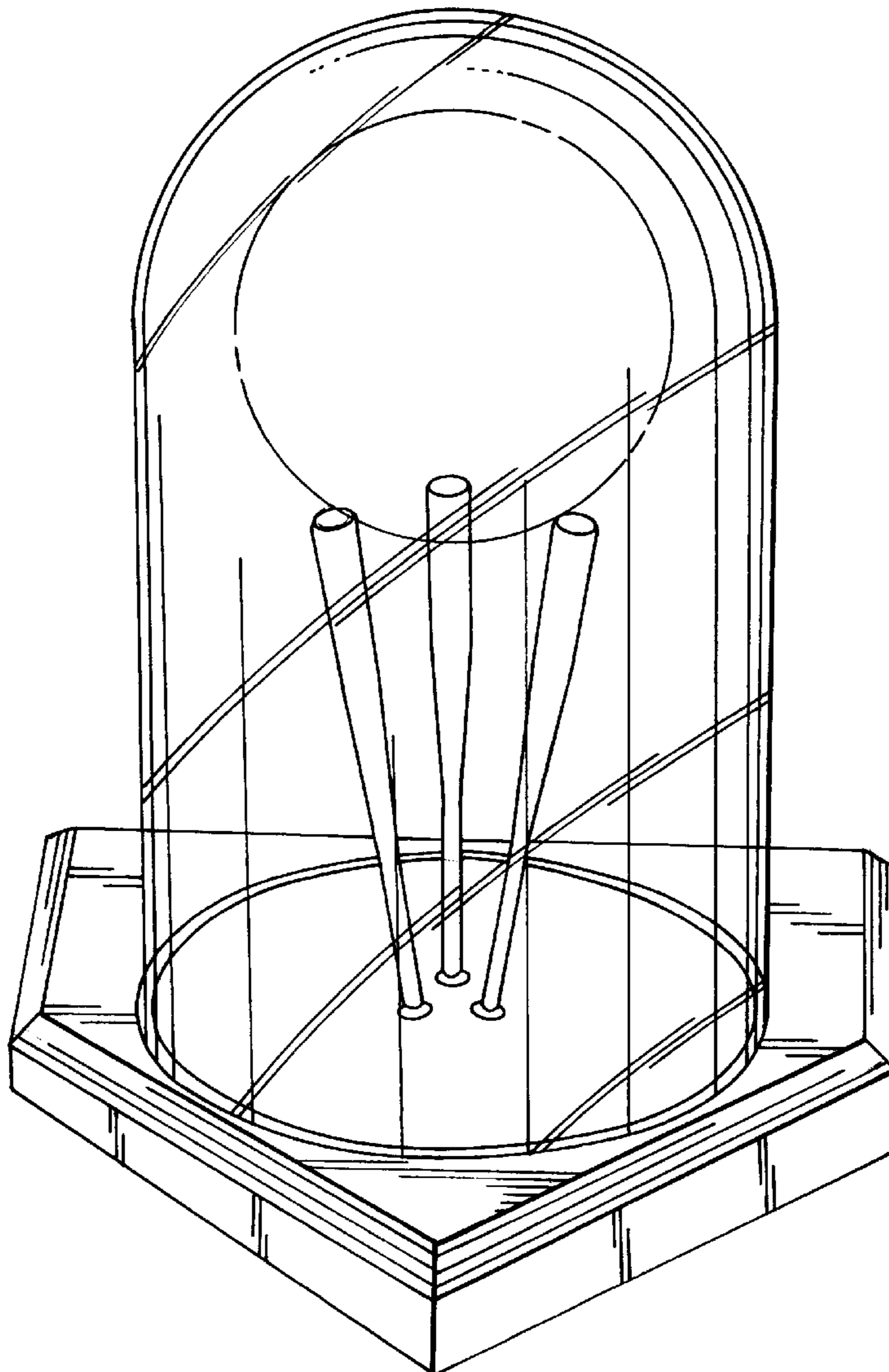
FIG. 4 is right side elevational view thereof, the left side elevational view being a mirror image of this FIGURE;

FIG. 5 is a rear elevational view thereof; and,

FIG. 6 is a bottom plan view thereof.

The broken-line disclosure of the ball in the views is for illustrative purposes only and forms no part of the claimed design.

1 Claim, 3 Drawing Sheets



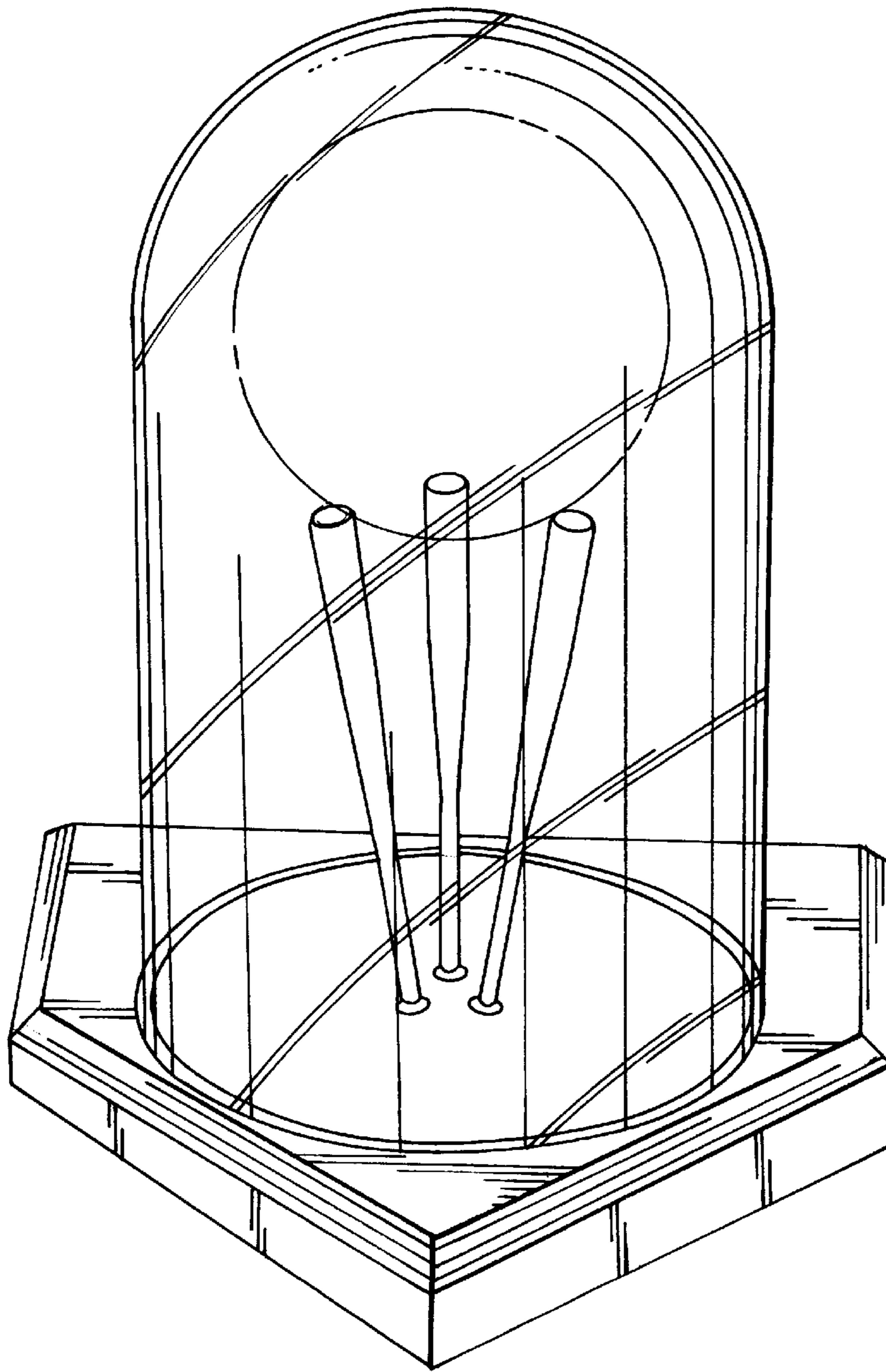


Fig. 1

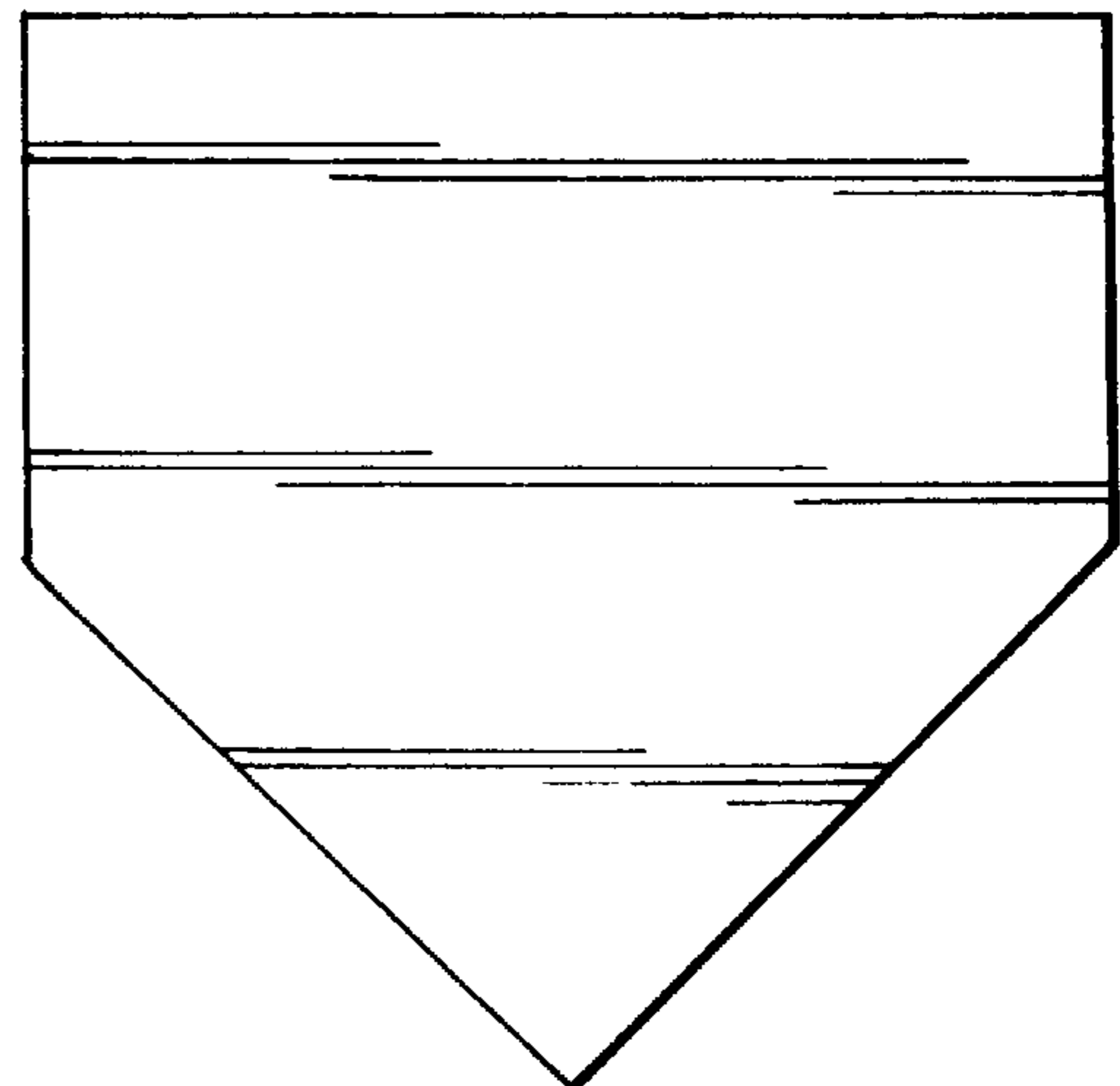


Fig. 6

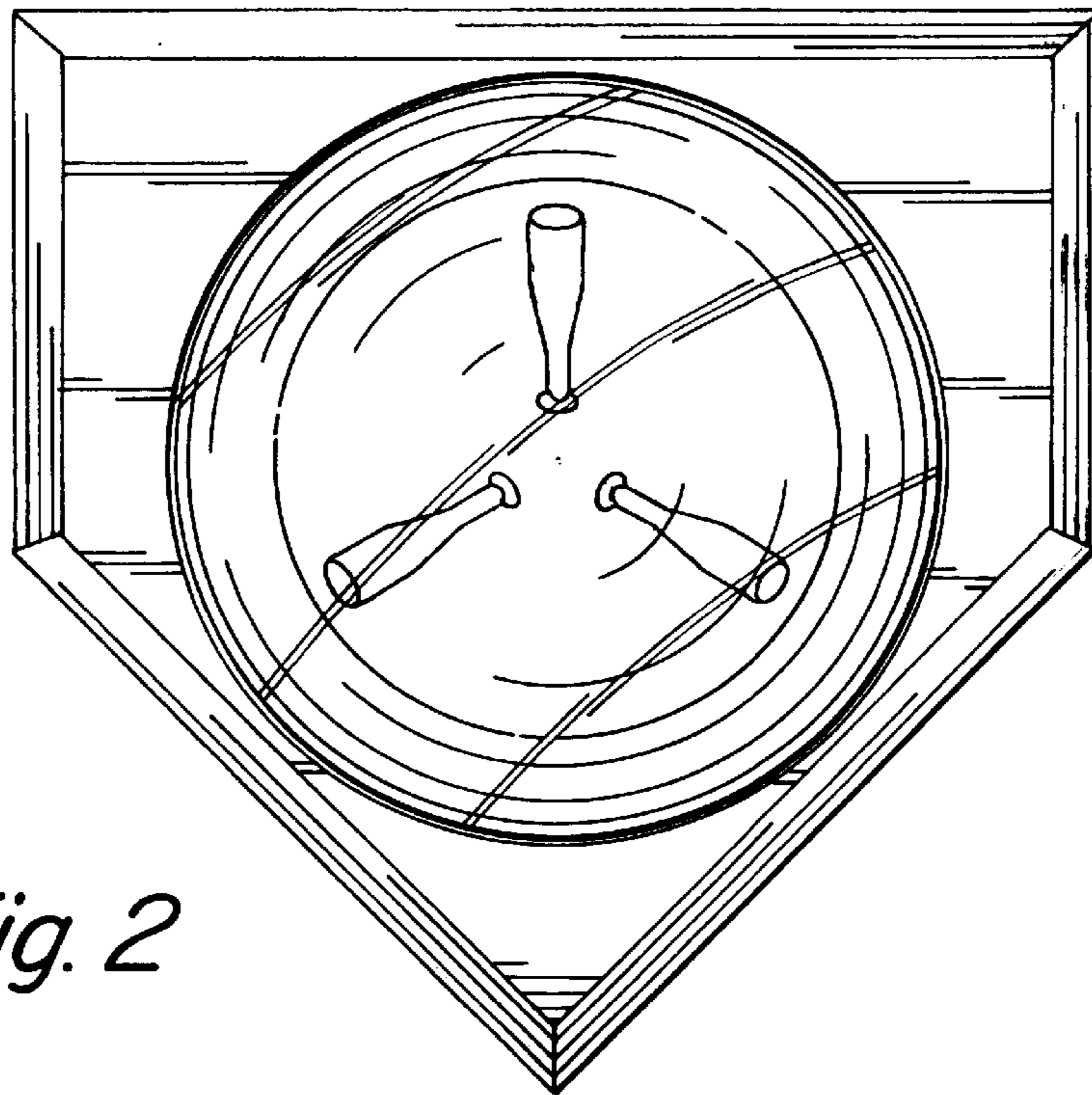


Fig. 2

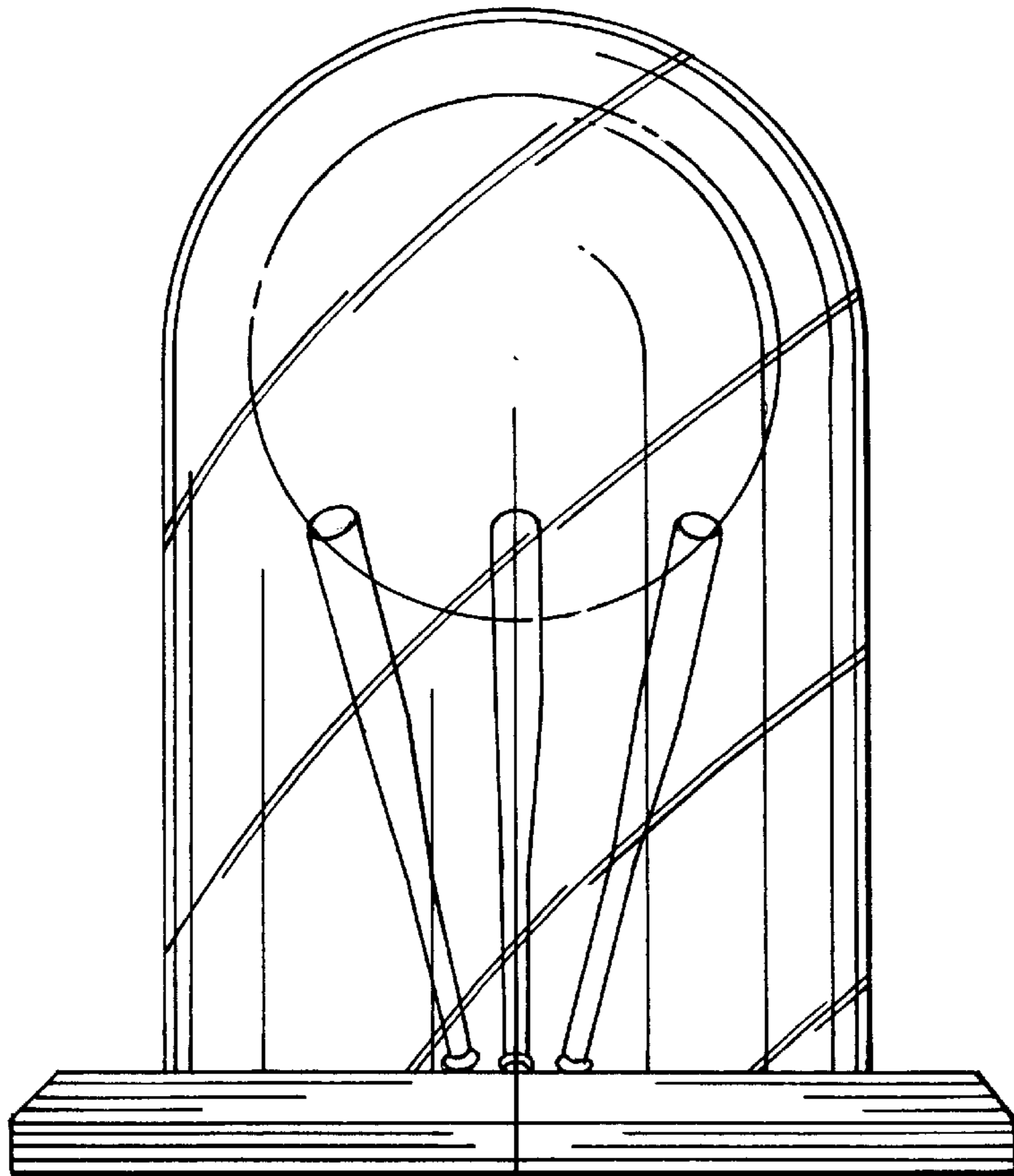


Fig. 3

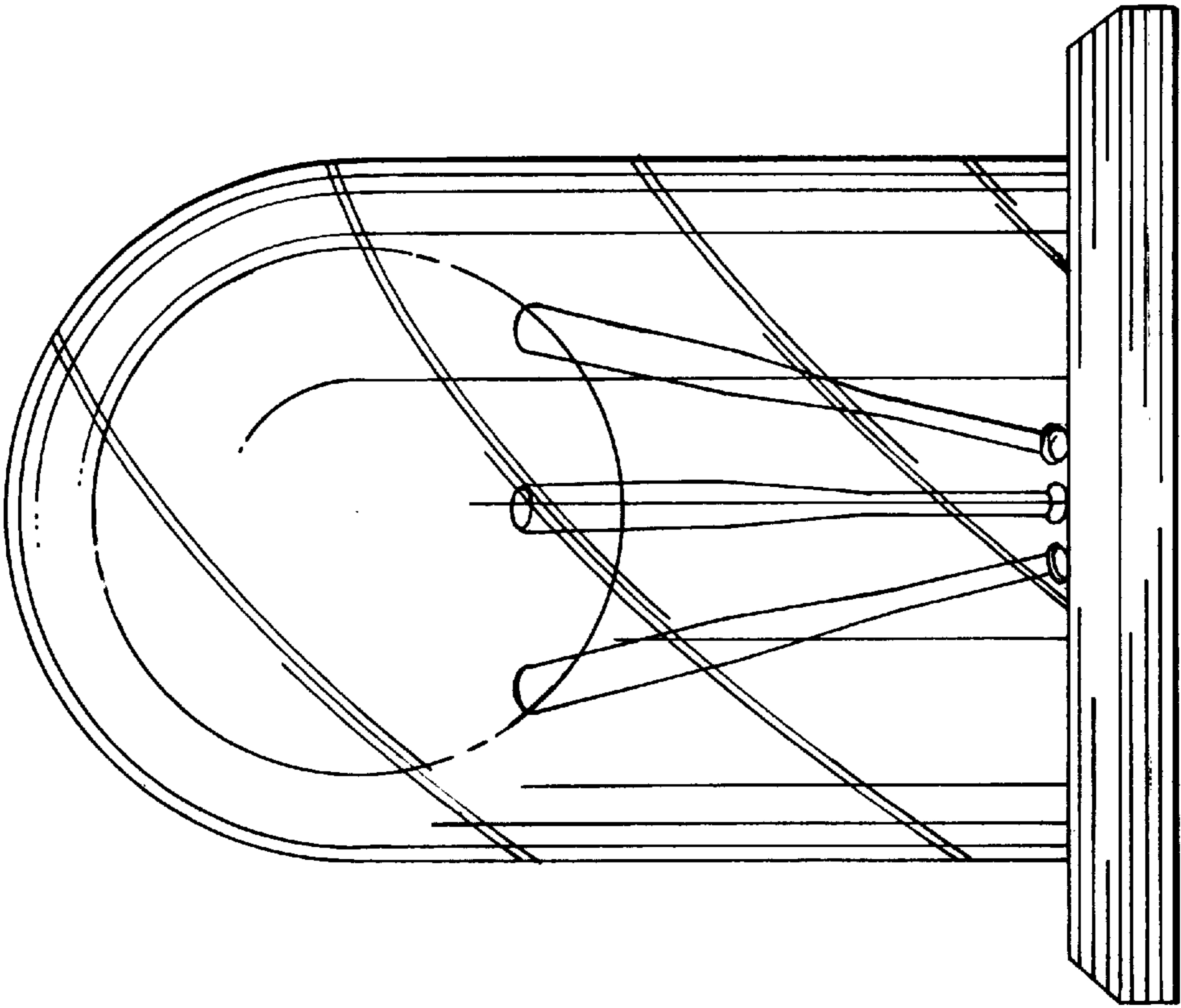


Fig. 5

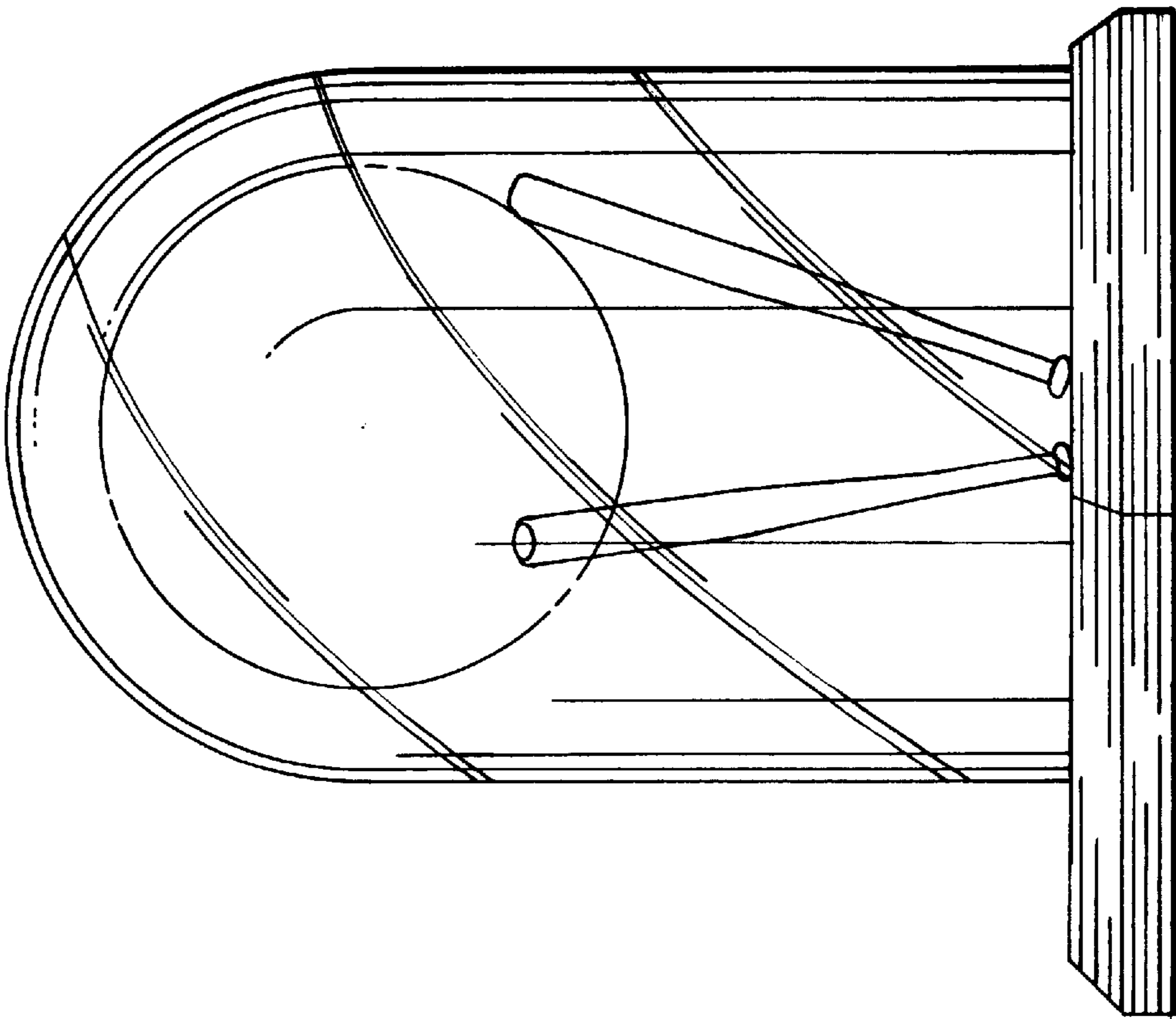


Fig. 4