



US00D425349S

United States Patent [19]

Adkins

[11] Patent Number: **Des. 425,349**

[45] Date of Patent: **** May 23, 2000**

[54] **TOOTHBRUSH AND DENTAL FLOSS HOLDER**

D. 219,598 12/1970 Rams et al. D6/528
D. 354,874 1/1995 Burch D6/524 X
2,028,694 1/1936 Spinks 211/13.1 X

[76] Inventor: **Wesley Eugene Adkins**, 7620 E. 81st Ave., Commerce City, Colo. 80022

Primary Examiner—Brian N. Vinson

[**] Term: **14 Years**

[57] **CLAIM**

[21] Appl. No.: **29/111,111**

The ornamental design for a toothbrush and dental floss holder, as shown.

[22] Filed: **Sep. 20, 1999**

DESCRIPTION

[51] **LOC (7) Cl.** **23-02**

FIG. 1 is a top view view.

[52] **U.S. Cl.** **D6/528**

FIG. 2 is a bottom view view.

[58] **Field of Search** D6/524, 527, 528, D6/534; 248/176, 108, 110–111; 211/13.1, 69.1, 69.4, 69.5, 71; 206/362.1, 362.2

FIG. 3 is a front view.

FIG. 4 is a back view.

FIG. 5 is a right end view.

FIG. 6 is a left end view; and,

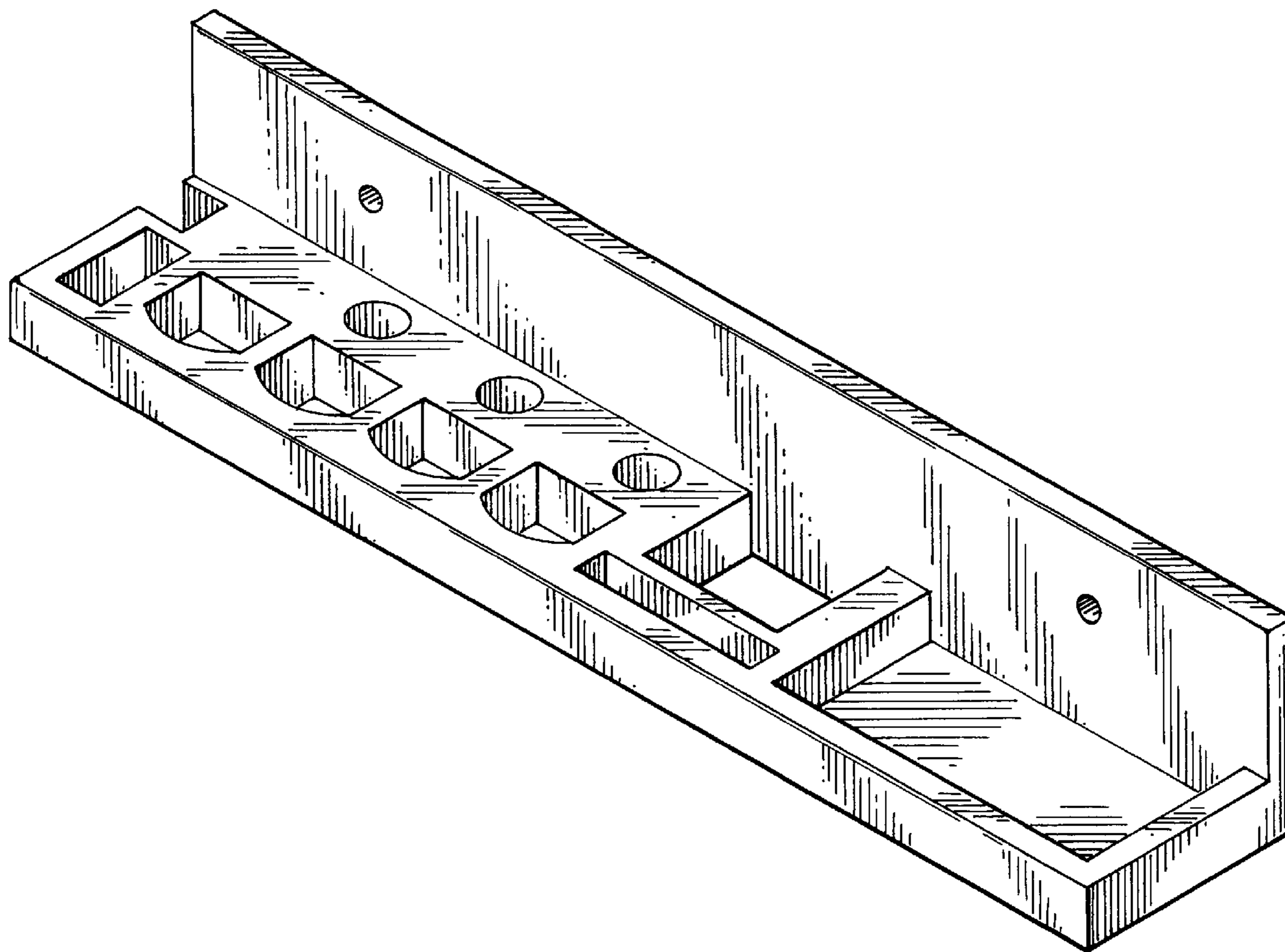
FIG. 7 is a isometric view.

[56] **References Cited**

U.S. PATENT DOCUMENTS

D. 176,162 11/1955 Steece D6/528

1 Claim, 2 Drawing Sheets



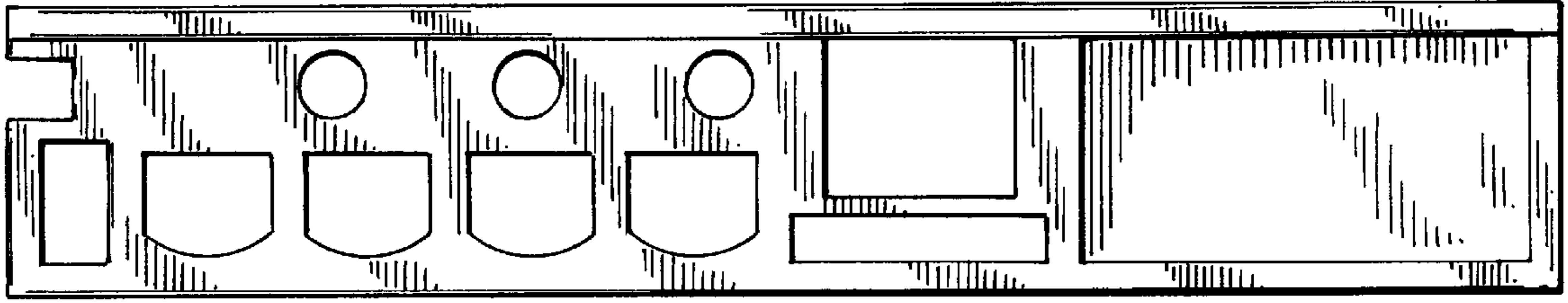


FIG. 1

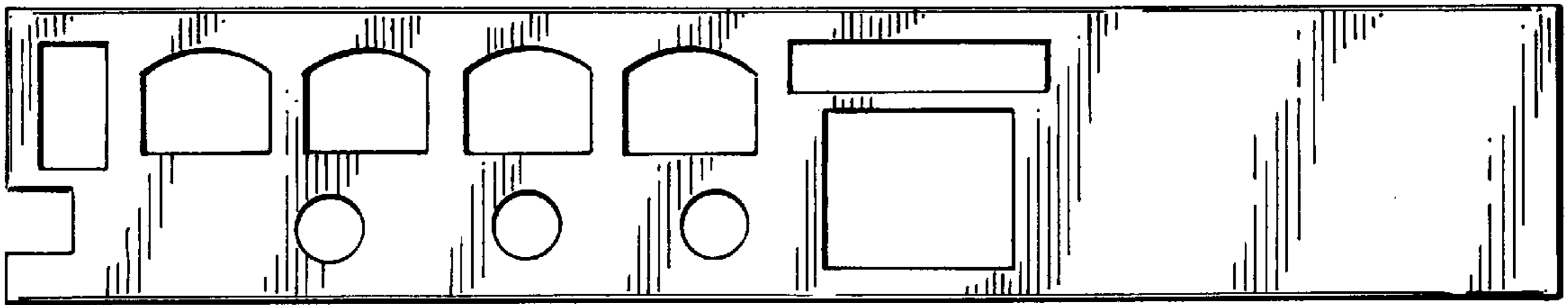


FIG. 2

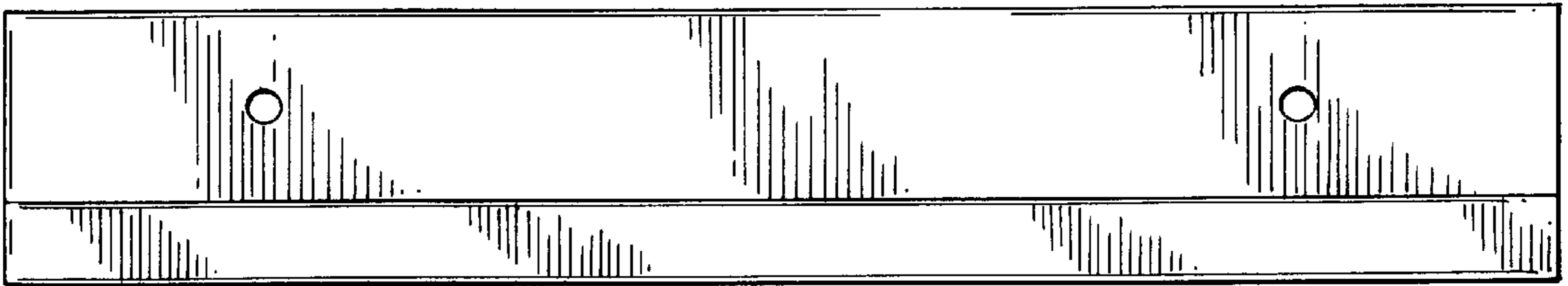


FIG. 3

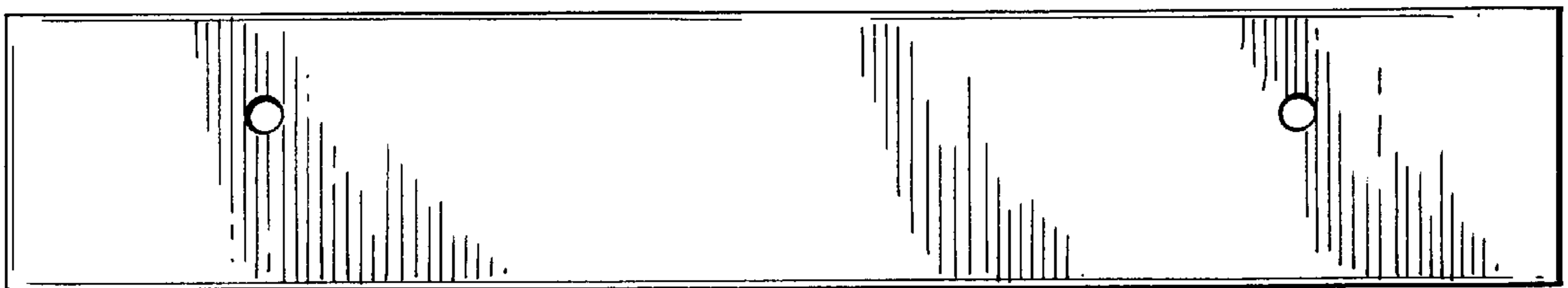


FIG. 4

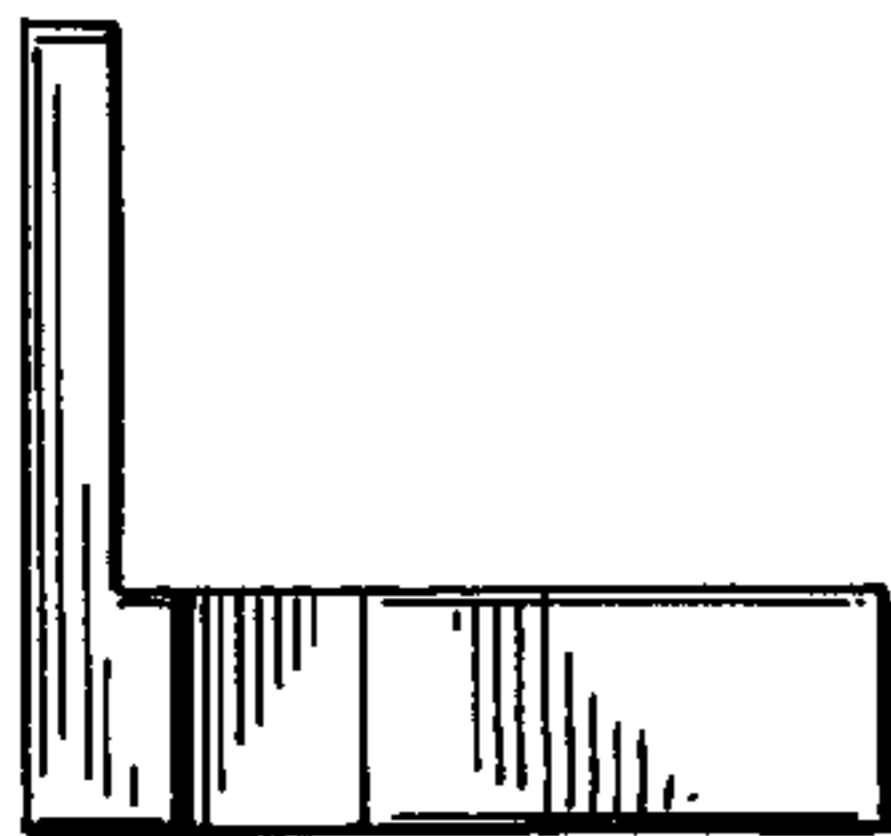


FIG. 6

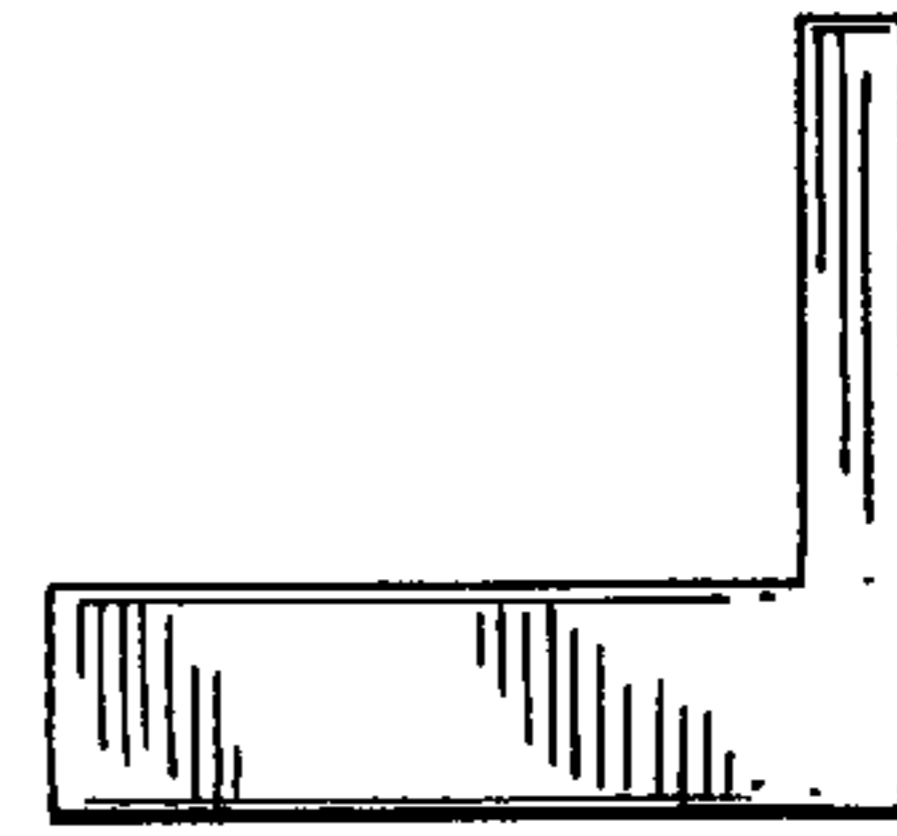


FIG. 5

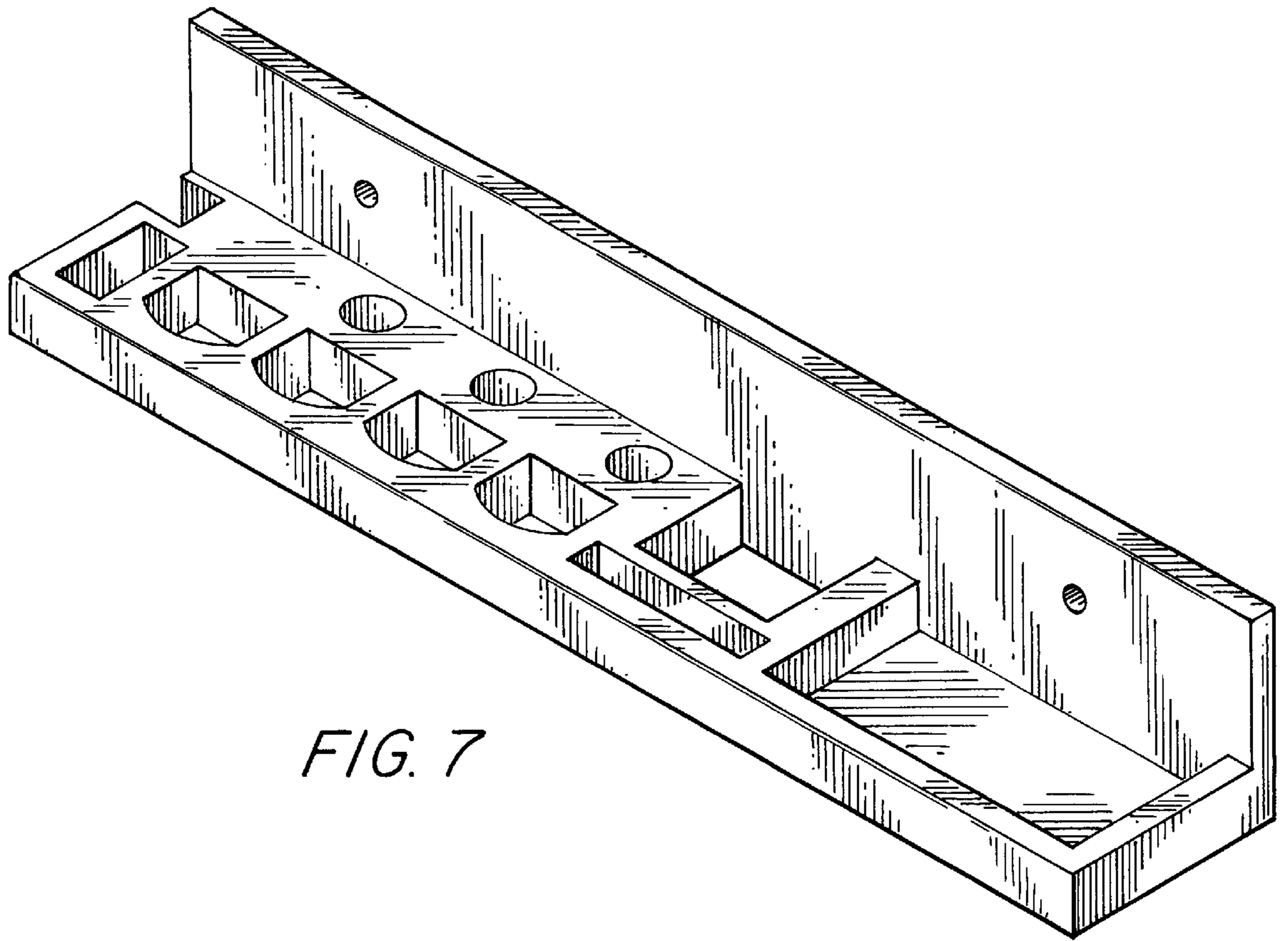


FIG. 7