



US00D425348S

United States Patent [19]
Chen

[11] **Patent Number: Des. 425,348**

[45] **Date of Patent: ** May 23, 2000**

[54] **POST FOR BATH ACCESSORY**

[76] Inventor: **Lien-Fu Chen**, 9F-9, No. 144, Sec. 3,
Sun-Ming Road, Taichung, Taiwan

[**] Term: **14 Years**

[21] Appl. No.: **29/105,605**

[22] Filed: **Jun. 1, 1999**

[51] **LOC (7) Cl.** **07-07**

[52] **U.S. Cl.** **D6/524; D6/550**

[58] **Field of Search** D6/524, 525, 546,
D6/550, 523; 211/13.1, 86-87, 16, 44,
105.1, 123, 182; 248/200, 231.91, 251,
222.1, 222.3; D8/21, 382, 308

[56] **References Cited**

U.S. PATENT DOCUMENTS

- D. 188,714 8/1960 Bonistall D6/550
- D. 385,735 11/1997 Hundely et al. D6/524
- D. 398,176 9/1998 Moore et al. D6/550

- D. 400,036 10/1998 Moore et al. D6/550
- D. 409,029 5/1999 Harris D6/524
- D. 409,032 5/1999 Huo D6/550

Primary Examiner—Brian N. Vinson
Attorney, Agent, or Firm—Charles E. Baxley, Esq.

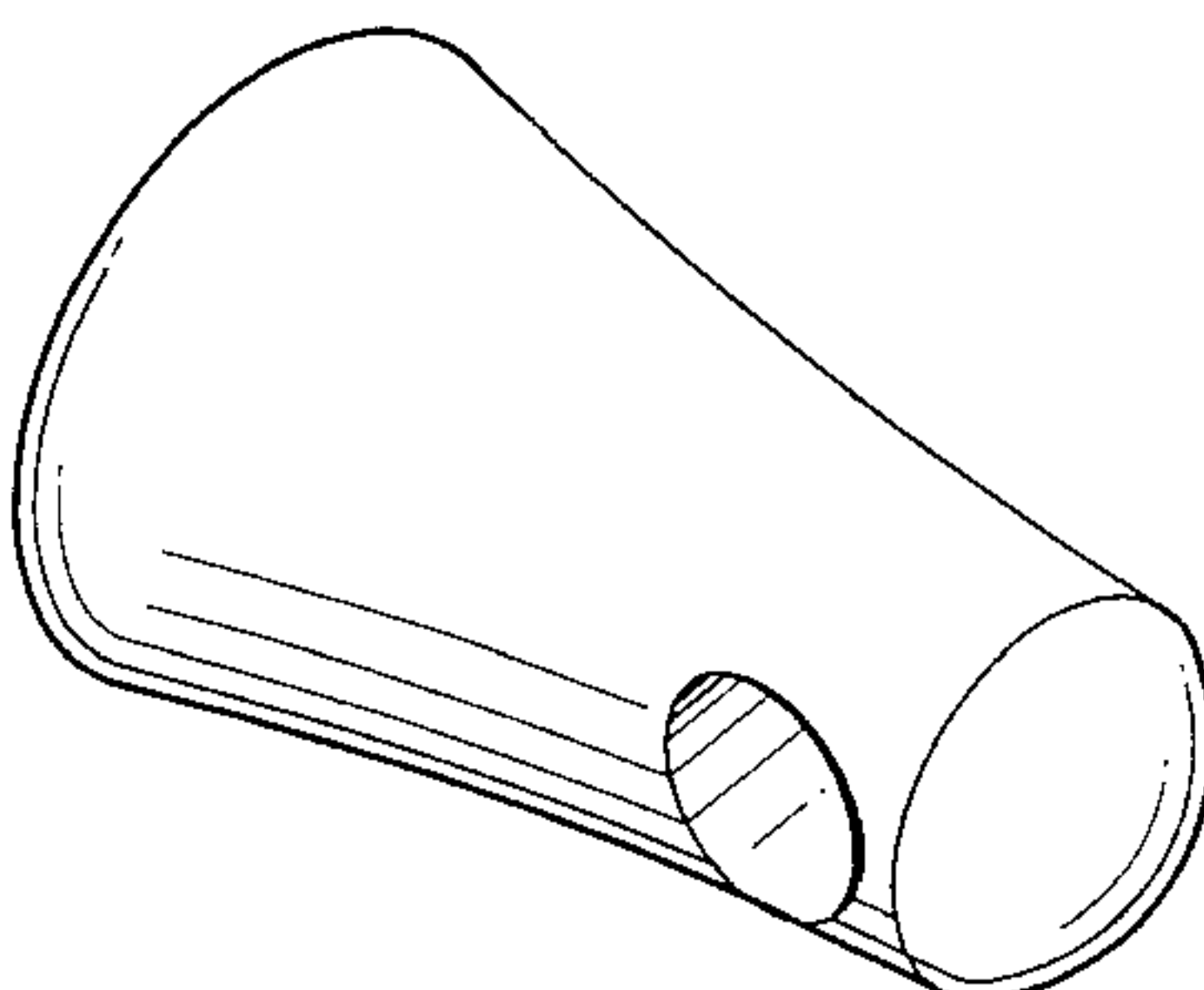
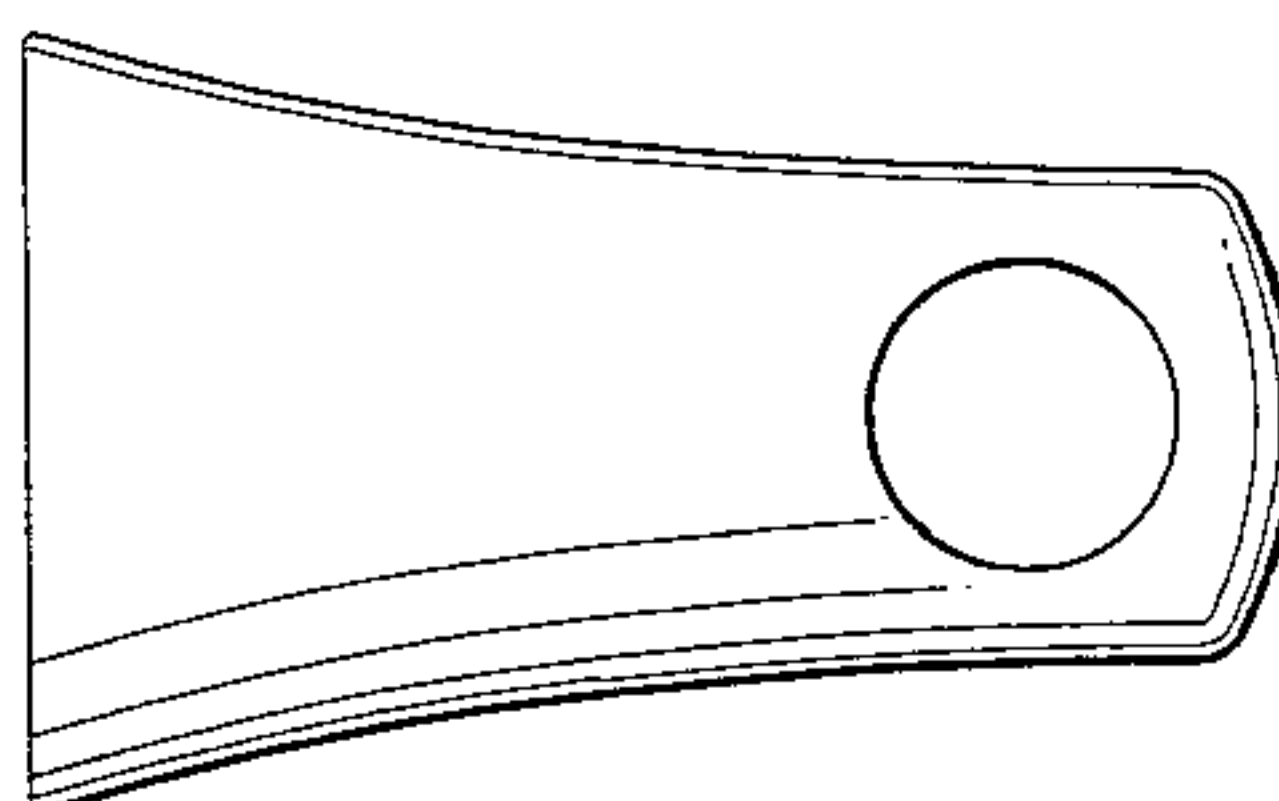
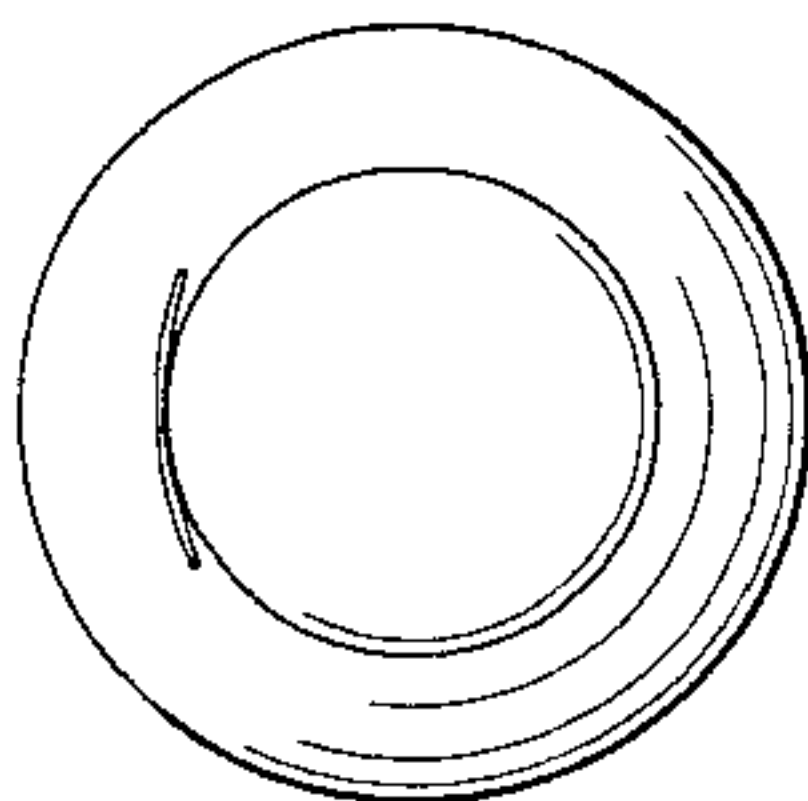
[57] **CLAIM**

The ornamental design for a post for bath accessory, as shown and described.

DESCRIPTION

FIG. 1 is a front elevational view of a post for a bath accessory showing my new design;
FIG. 2 is a rear elevational view thereof;
FIG. 3 is a top plan view thereof;
FIG. 4 is a bottom plan view thereof;
FIG. 5 is a left side elevational view thereof;
FIG. 6 is a right side elevational view thereof; and,
FIG. 7 is a perspective view thereof.

1 Claim, 4 Drawing Sheets



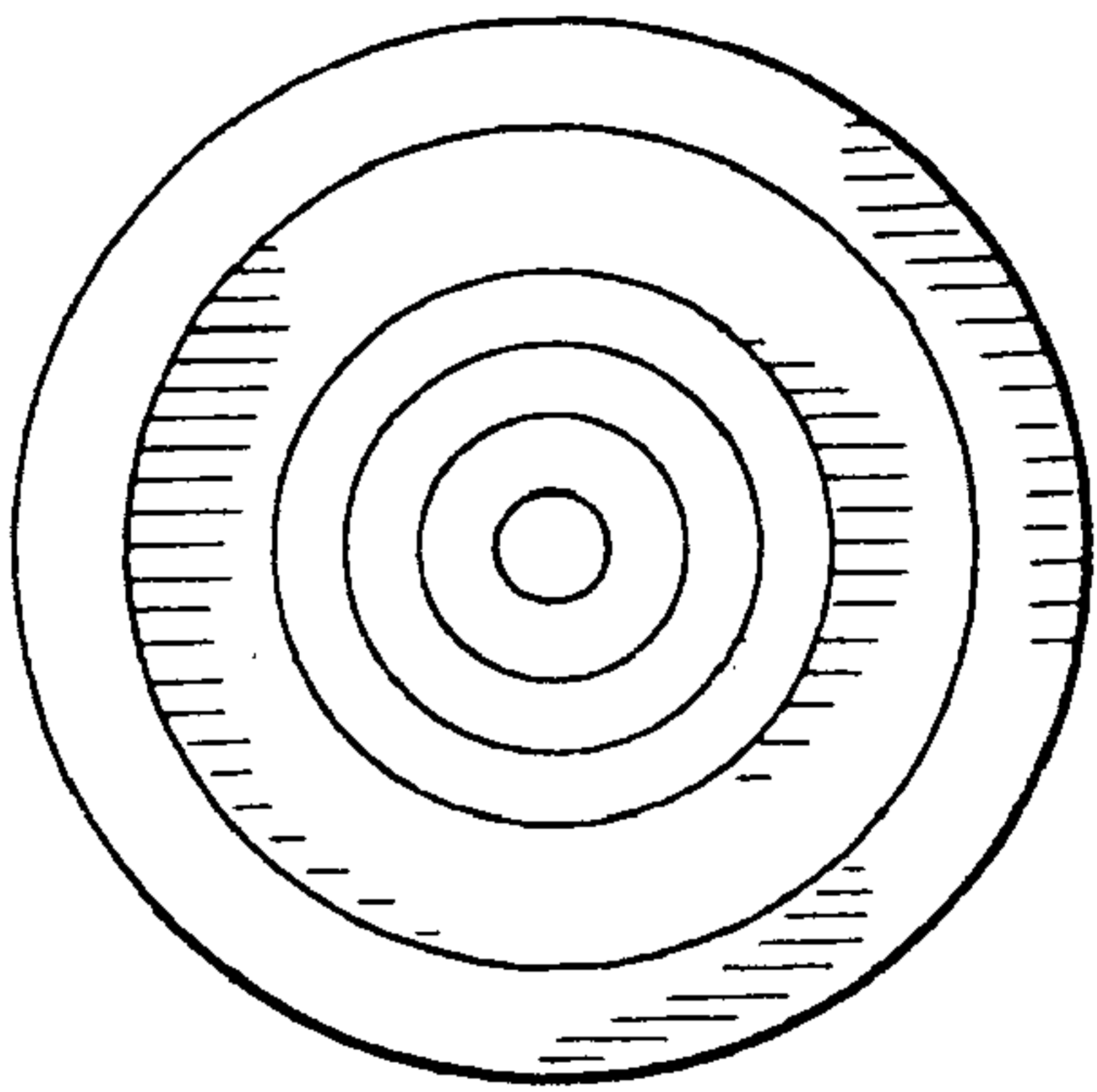


FIG. 2

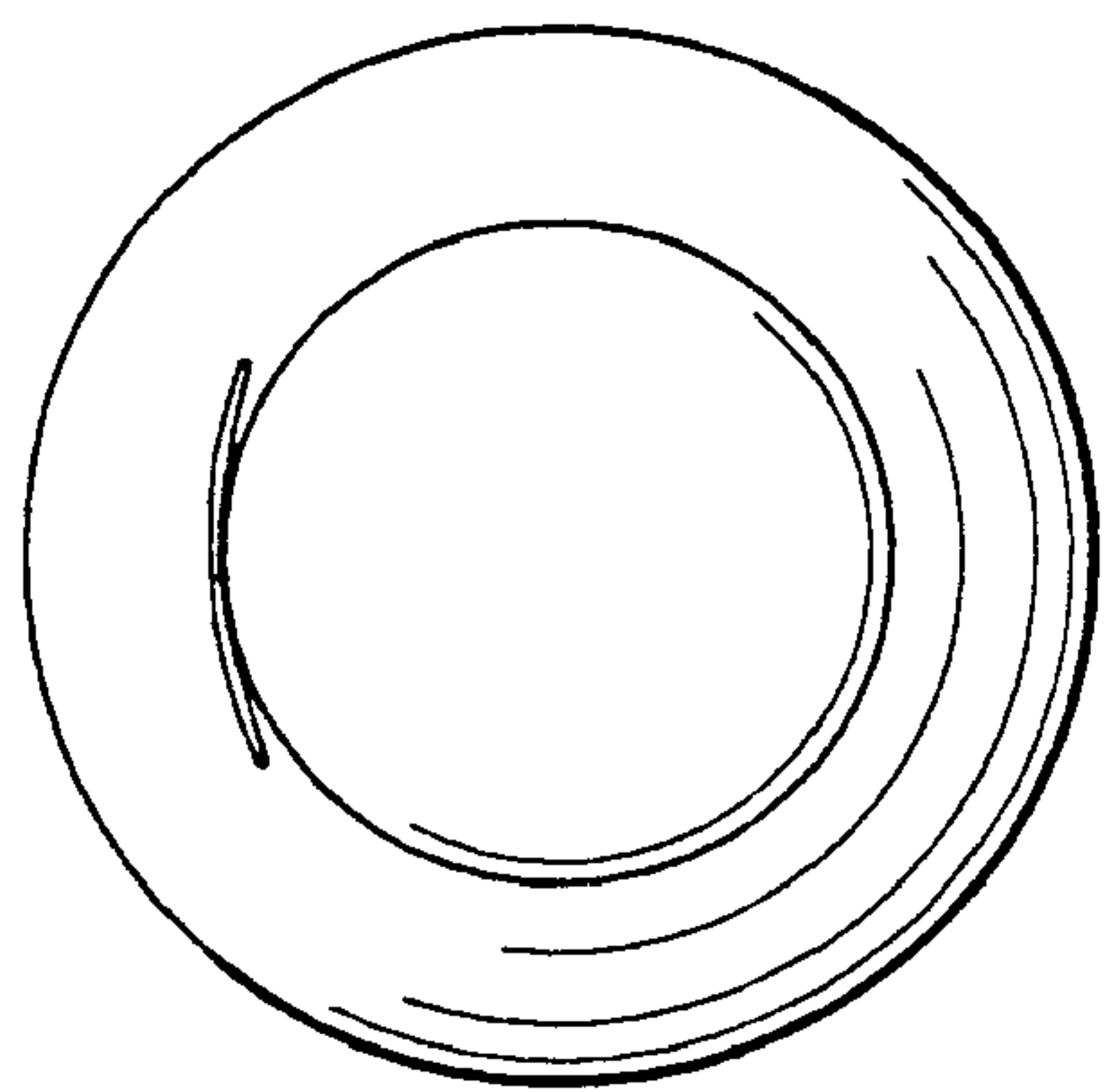


FIG. 1

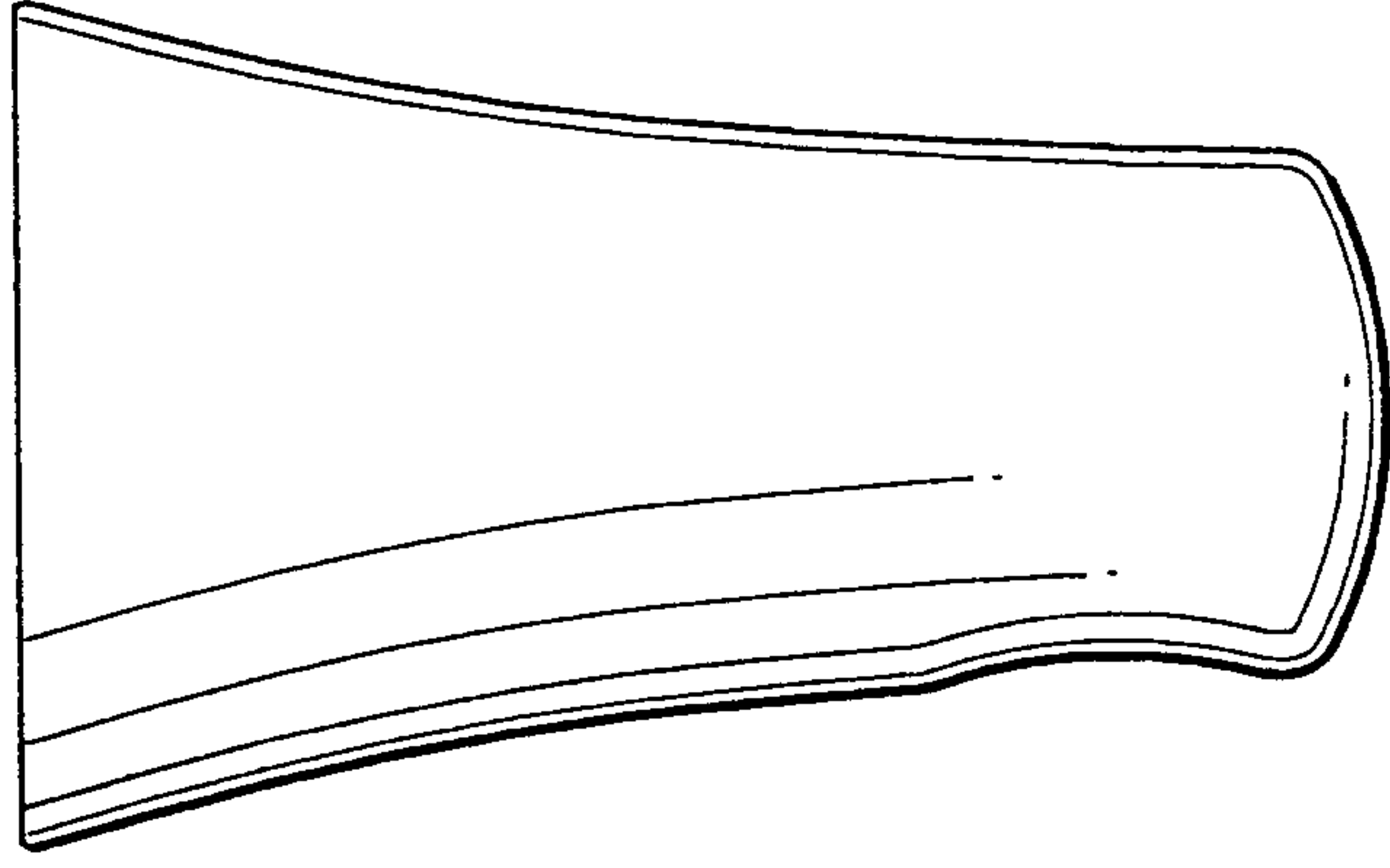


FIG.3

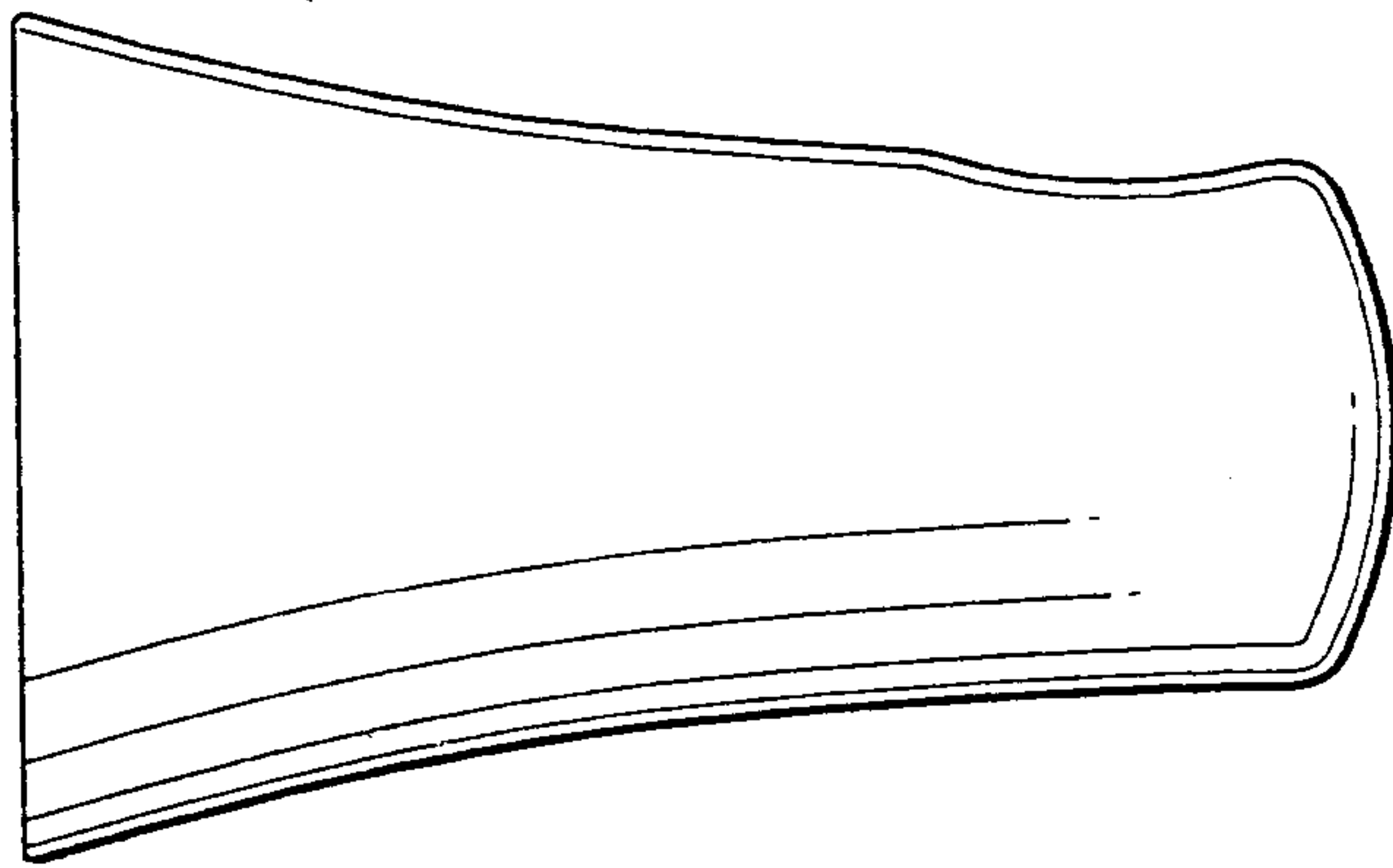


FIG.4

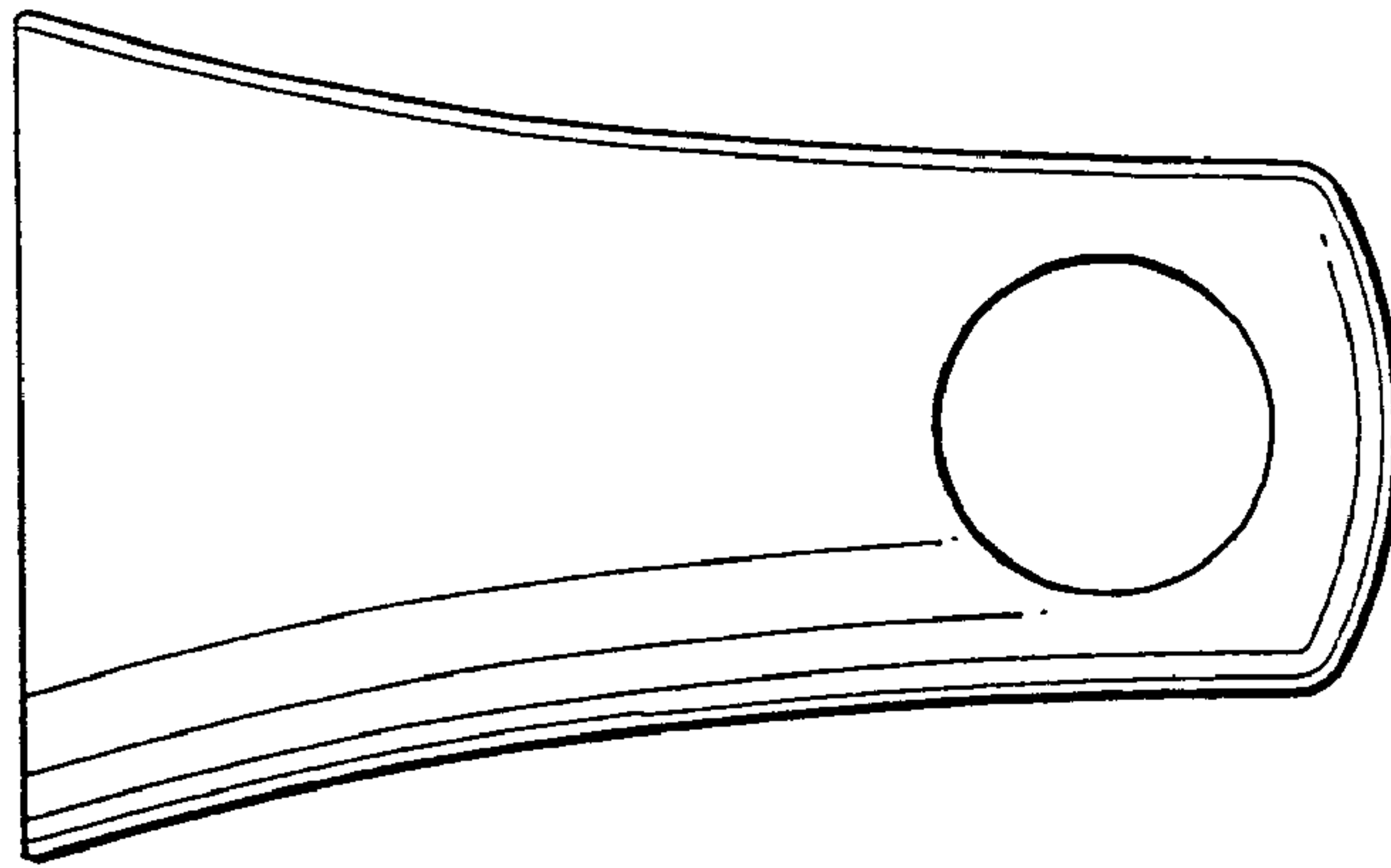


FIG. 5

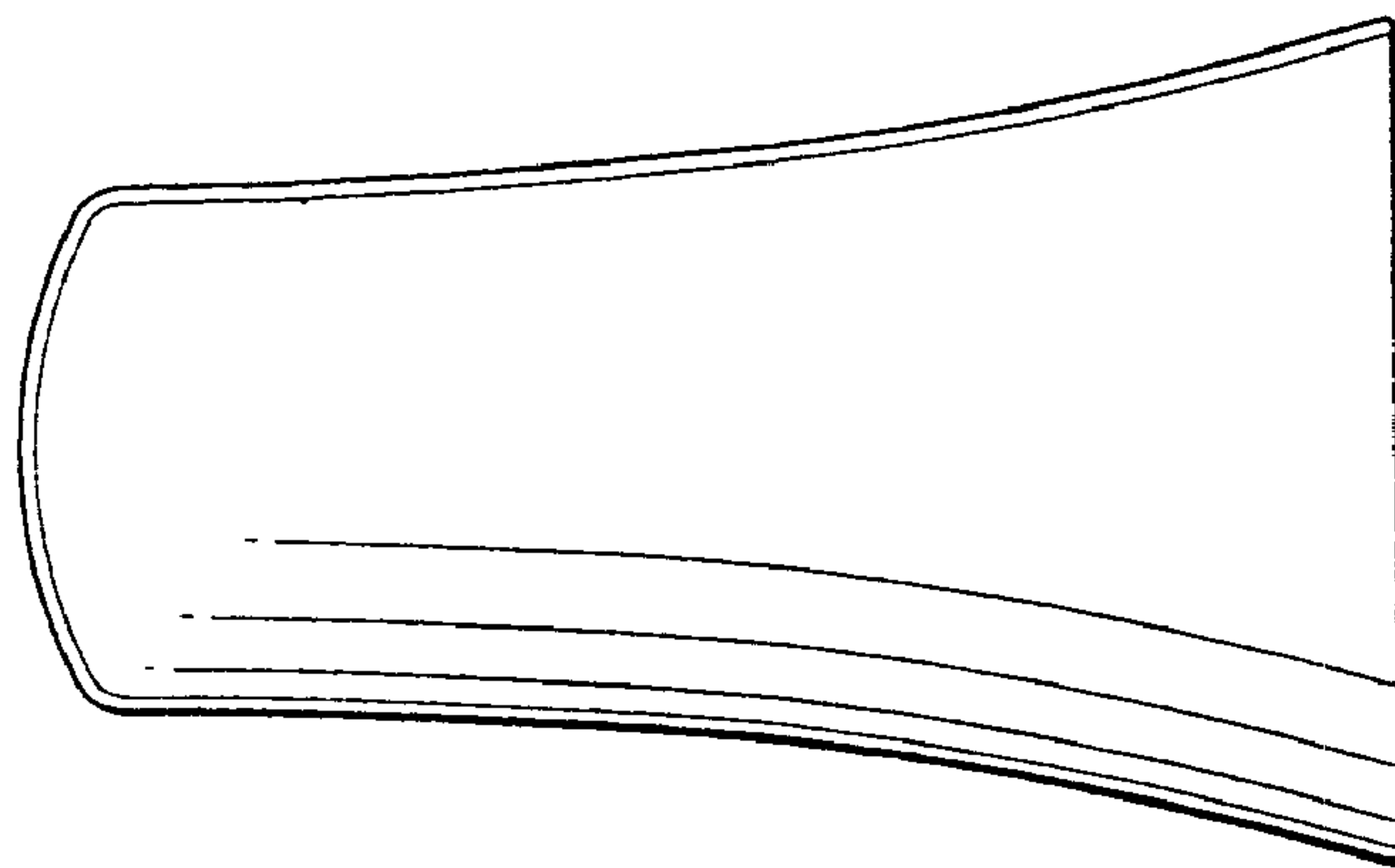


FIG. 6

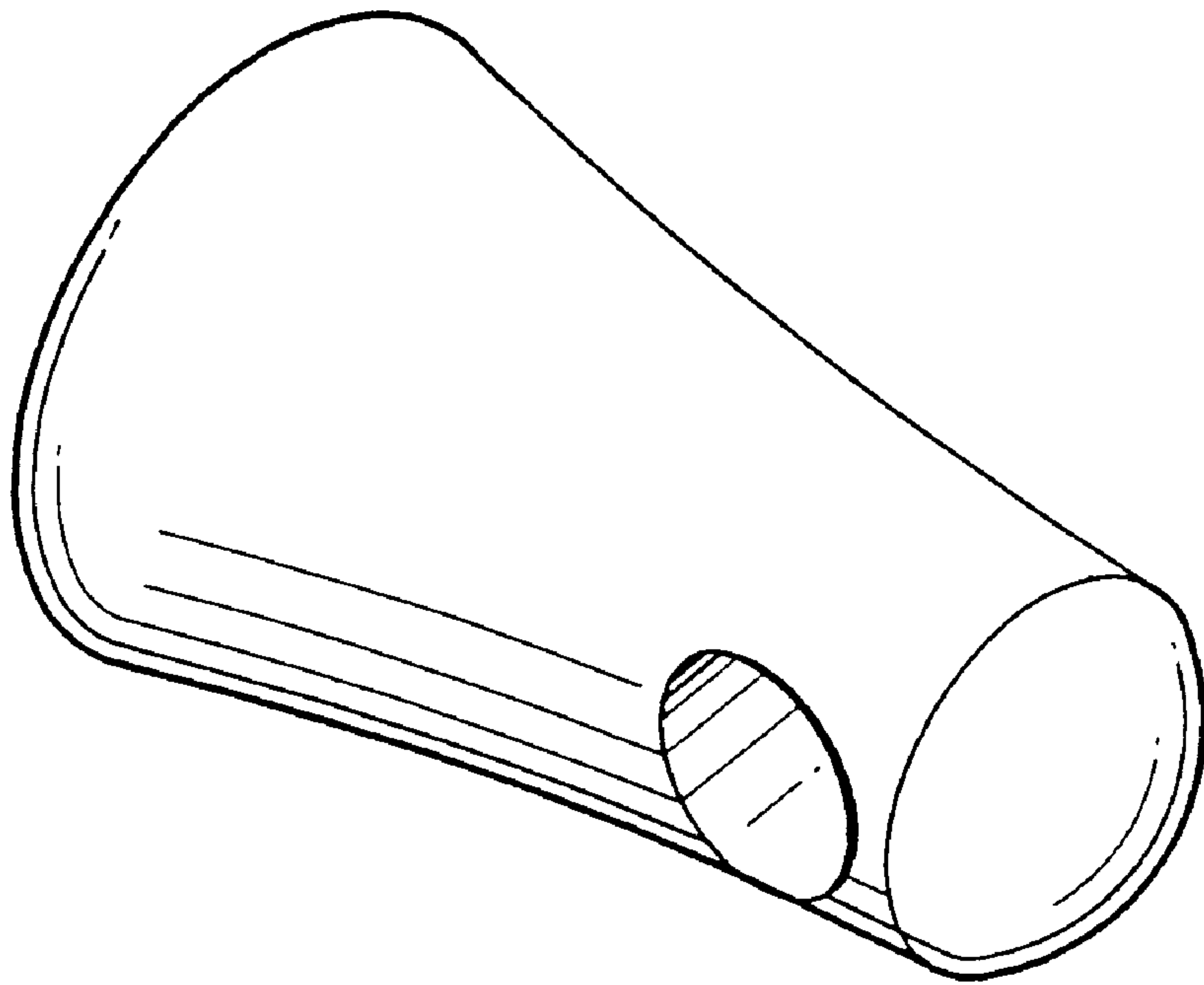


FIG. 7