



US00D425347S

United States Patent [19]
Anderberg

[11] **Patent Number: Des. 425,347**
[45] **Date of Patent: ** May 23, 2000**

[54] **DISPENSER FOR A ROLL OF BARBER'S NECK STRIPS**

D. 316,789 5/1991 McLaughlin D6/518 X
D. 327,798 7/1992 Addison et al. D6/518 X
D. 336,581 6/1993 Parker D6/518
4,382,510 5/1983 Gaffney 206/389

[76] Inventor: **Bertil I. Anderberg**, 1813 Sheldon Ave., Cedar Falls, Iowa 50613

[**] Term: **14 Years**

Primary Examiner—Brian N. Vinson
Attorney, Agent, or Firm—Zarley, McKee, Thomte, Voorhees & Sease

[21] Appl. No.: **29/112,053**

[22] Filed: **Oct. 7, 1999**

[57] **CLAIM**

I claim the ornamental design for a dispenser for a roll of barber's neck strips, as shown.

Related U.S. Application Data

DESCRIPTION

[63] Continuation-in-part of application No. 29/110,955, Sep. 16, 1999.

[51] **LOC (7) Cl.** **07-07**

[52] **U.S. Cl.** **D6/518; D6/515**

[58] **Field of Search** D6/515, 518; D19/89;
D28/76, 82; 242/570, 590, 595; 312/34.8;
206/389, 398

FIG. 1 is a perspective view of a dispenser for a roll of barber's neck strips showing my new design;

FIG. 2 is a front elevational view thereof;

FIG. 3 is a typical side elevational view thereof except for the front; and,

FIG. 4 is a top plan view thereof.

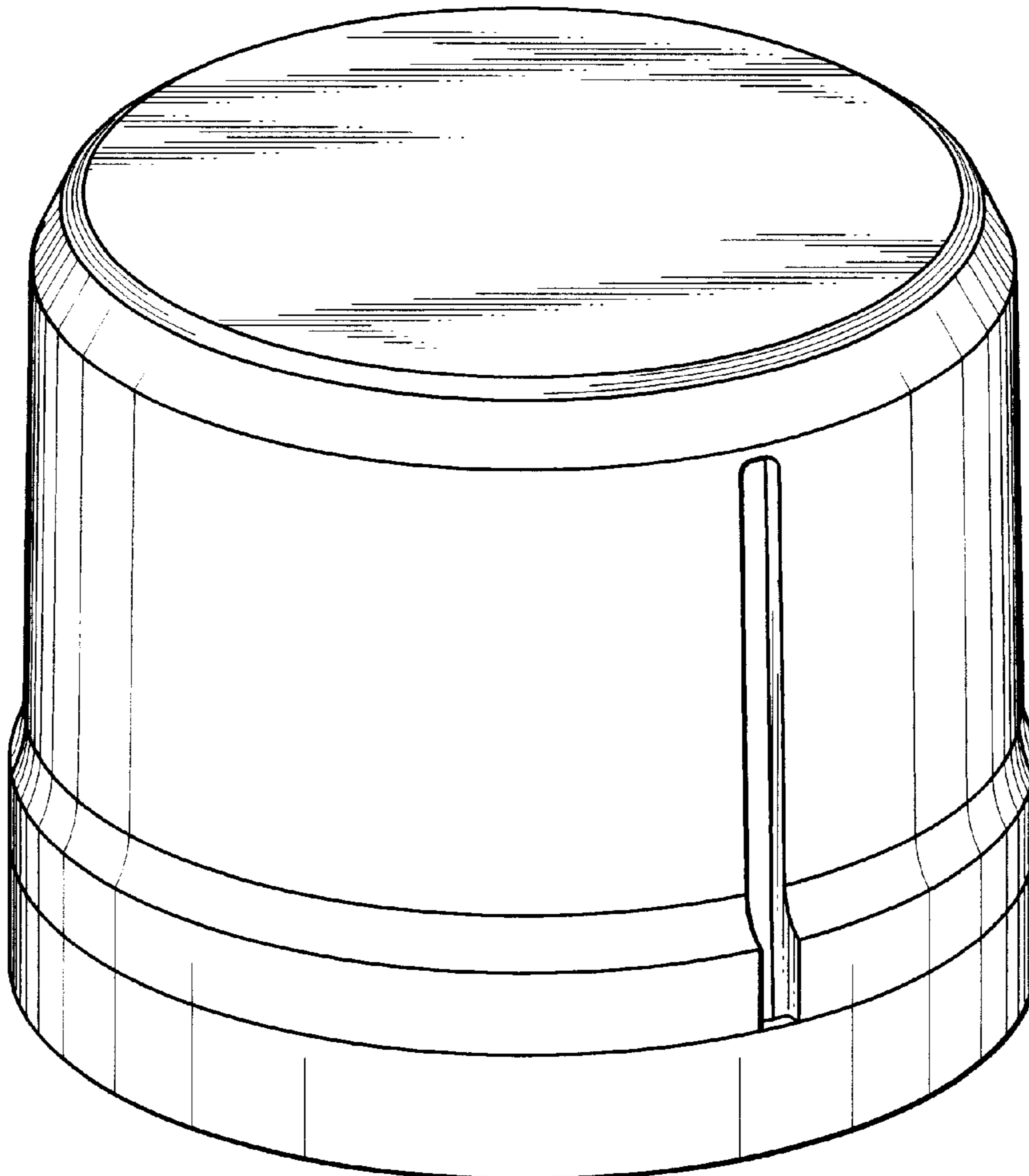
The bottom is devoid of ornamentation.

[56] **References Cited**

U.S. PATENT DOCUMENTS

D. 289,592 5/1987 Loughridge D6/518

1 Claim, 2 Drawing Sheets



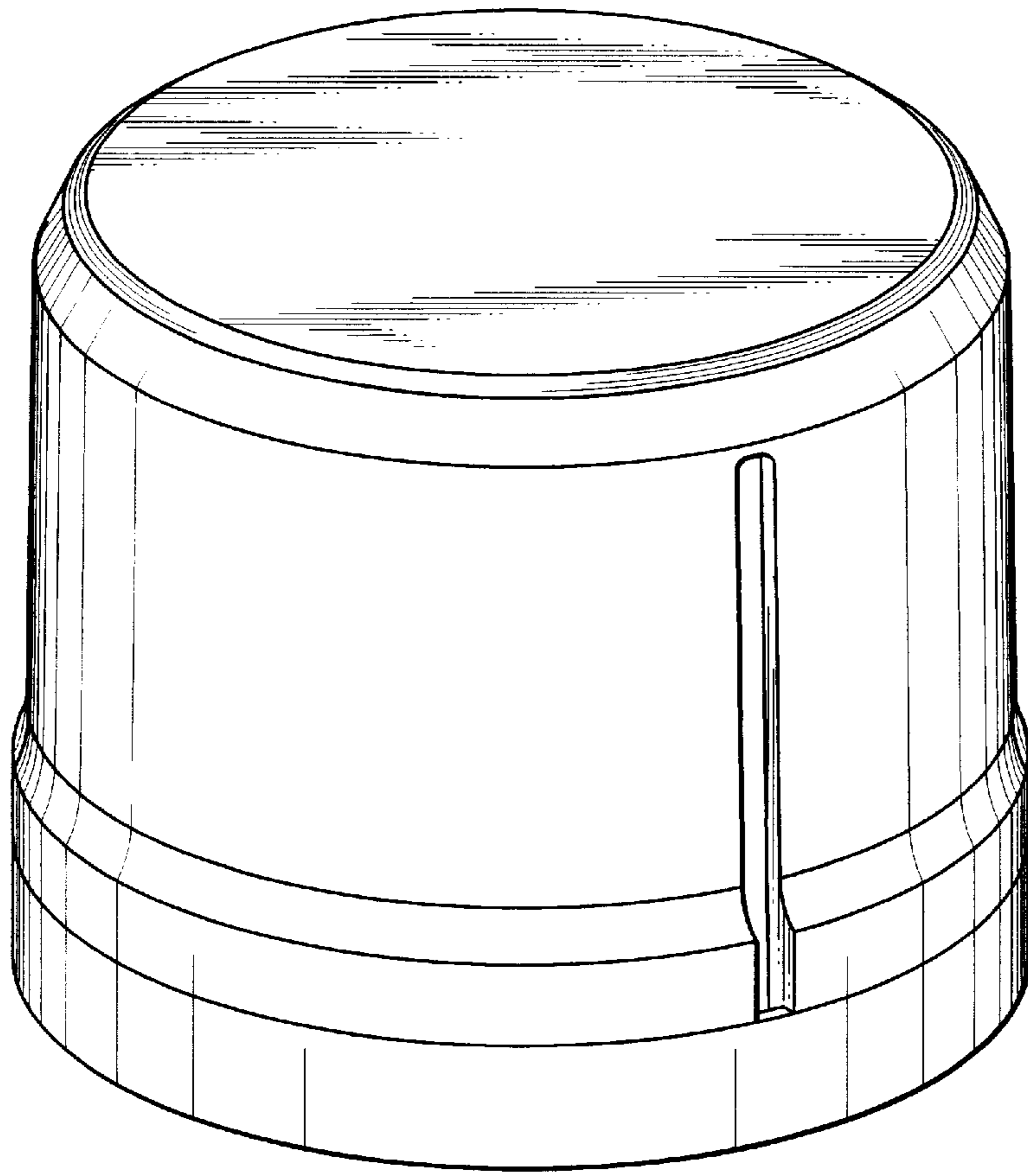


Fig. 1

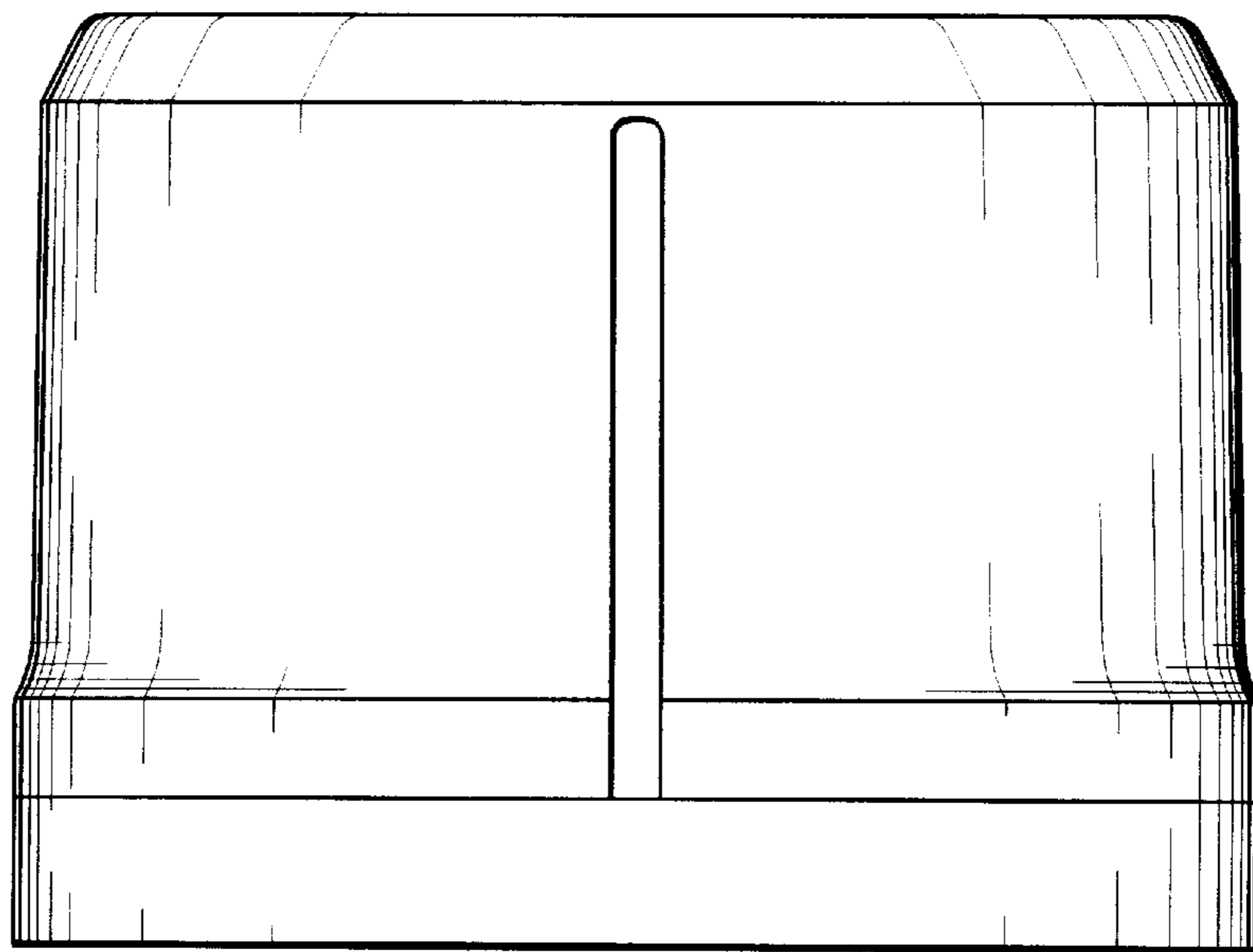


Fig. 2

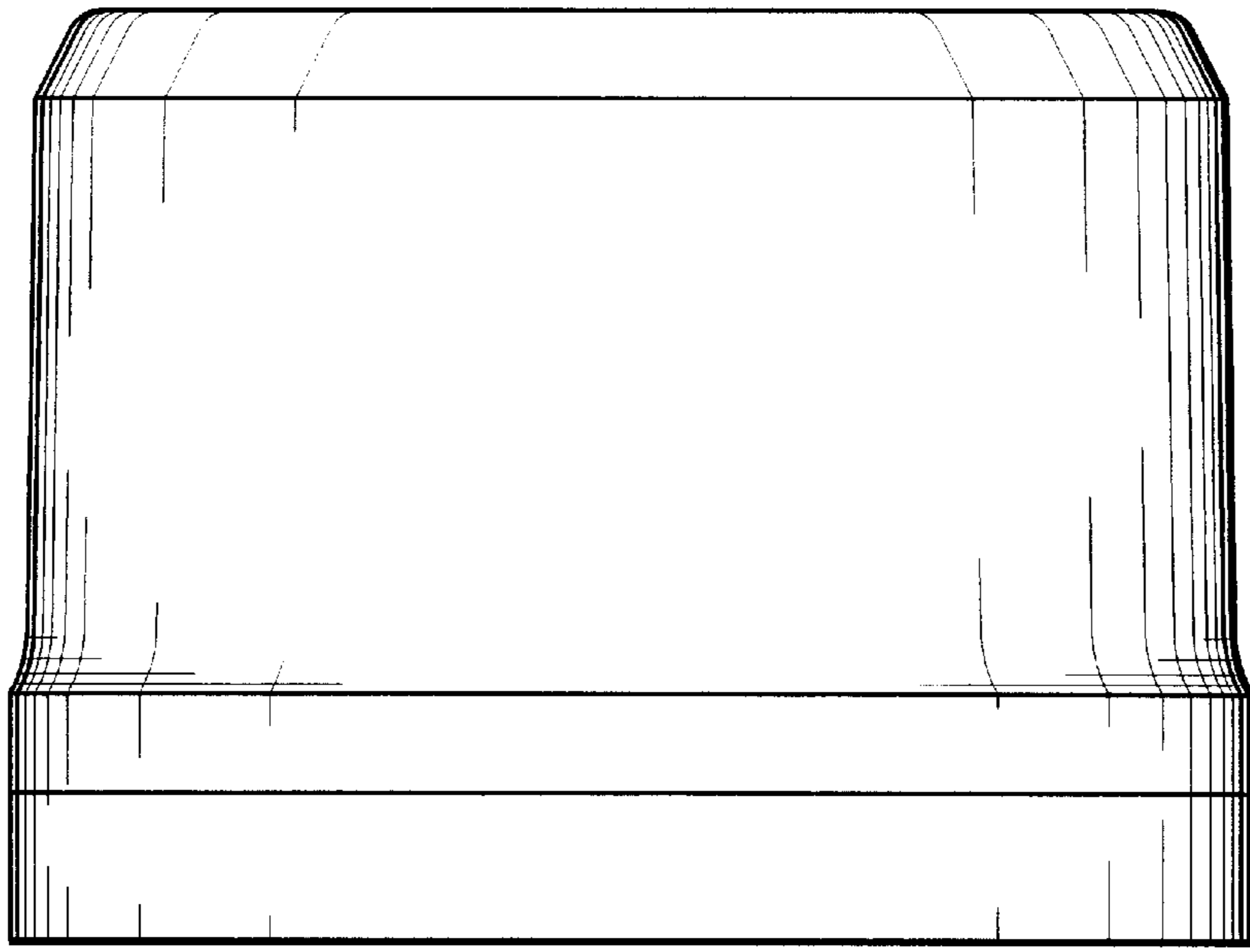


Fig. 3

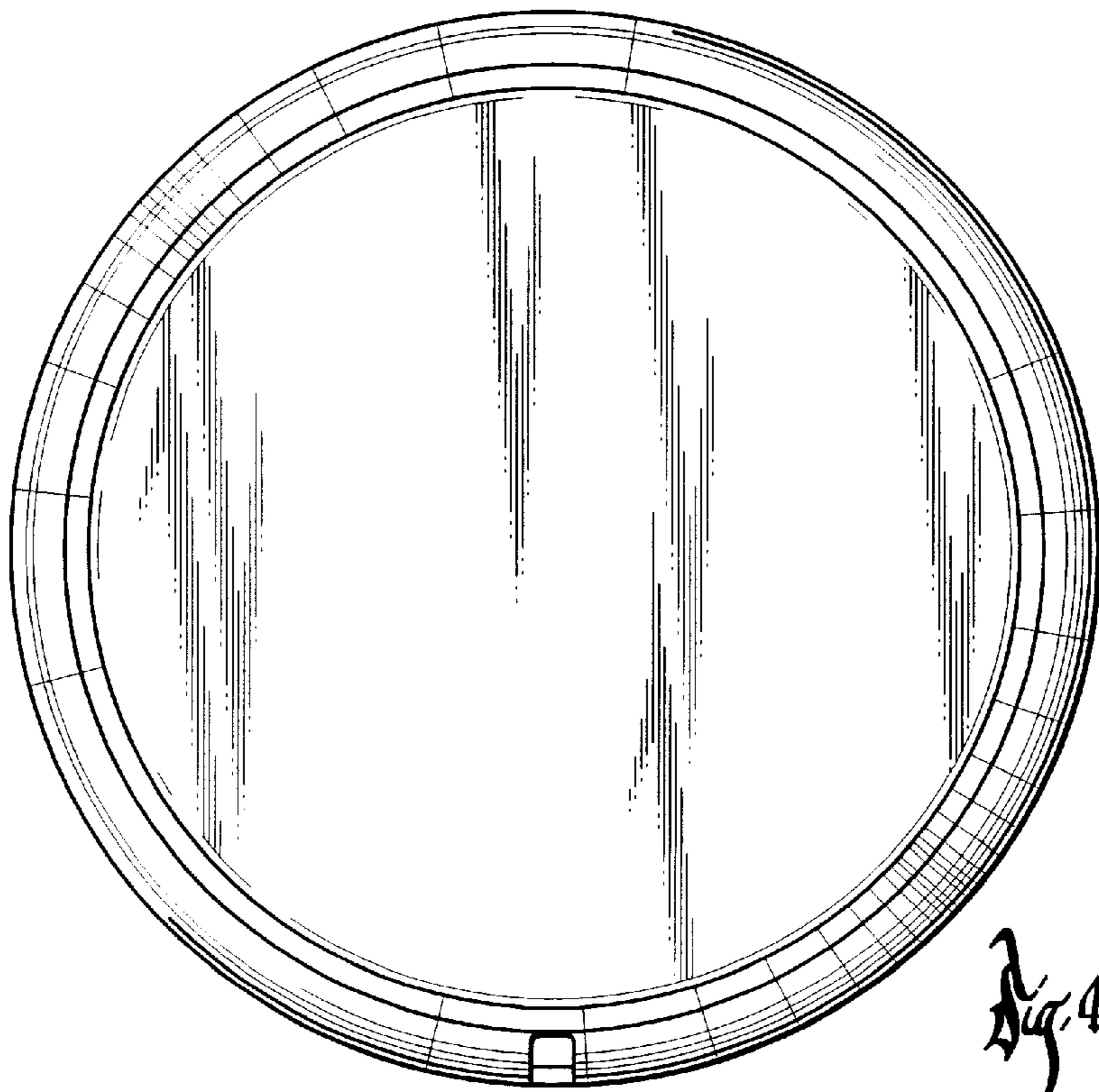


Fig. 4