



US00D425345S

# United States Patent [19]

Ohm et al.

[11] Patent Number: Des. 425,345

[45] Date of Patent: \*\* May 23, 2000

[54] TISSUE BOX HOLDER

[75] Inventors: Patrick L. Ohm, Norwalk; Jerome J. Hartmann, Carlisle, both of Iowa

[73] Assignee: Cobbs Manufacturing Company, Des Moines, Iowa

[\*\*] Term: 14 Years

[21] Appl. No.: 29/107,886

[22] Filed: Jul. 15, 1999

[51] LOC (7) Cl. .... 20-02

[52] U.S. Cl. .... D6/515; D6/518

[58] Field of Search ..... D6/512, 515, 518, D6/567, 553; 206/233; 211/45, 71, 86-89; 248/309.1, 311.2, 316.1, 905

### [56] References Cited

#### U.S. PATENT DOCUMENTS

D. 278,295	4/1985	Thompson	.....	D6/518
D. 330,479	10/1992	Stevens	.....	D6/518
D. 362,779	10/1995	Chen	.....	D6/567
D. 380,325	7/1997	Kempf	.....	D6/518
2,504,515	4/1950	Gantner et al.	.....	312/50
2,673,056	3/1954	Manetti	.....	248/311
2,738,942	3/1956	Gantner	.....	248/289
2,836,386	5/1958	Iverson	.....	248/311
2,964,282	12/1960	Johnson	.....	248/313
3,214,059	10/1965	Stark	.....	221/46
3,285,559	11/1966	Simon	.....	248/313
3,343,772	9/1967	Howell et al.	.....	248/206
3,827,664	8/1974	Larson	.....	248/311
3,902,932	9/1975	Gdanski et al.	.....	248/313
4,913,312	4/1990	Boutin	.....	221/45
4,967,988	11/1990	Nguyen	.....	248/150
4,995,530	2/1991	Tabor	.....	221/46
5,029,787	7/1991	Florentin	.....	248/206.3
5,033,709	7/1991	Yuen	.....	248/154
5,149,032	9/1992	Jones et al.	.....	248/154
5,154,380	10/1992	Risca	.....	224/312
5,332,138	7/1994	Gross et al.	.....	248/154

5,398,898	3/1995	Bever	.....	248/313
5,413,299	5/1995	Holtzsch	.....	248/313
5,560,578	10/1996	Schenken et al.	.....	248/313
5,573,214	11/1996	Jones et al.	.....	248/311.2

#### FOREIGN PATENT DOCUMENTS

551451	1/1958	Canada	.
624300	7/1961	Canada	.
768018	9/1967	Canada	.
5-132086	5/1993	Japan	.

#### OTHER PUBLICATIONS

Cobbs Lifestyle Accessories, Marketing Brochure, Cobbs Manufacturing Company, 1994, p. 23 describing a tissue box holder.

Cobbs Lifestyle Accessories, Marketing Brochure, Cobbs Manufacturing Company, 1995, p. 29 describing a tissue box holder.

Primary Examiner—Brian N. Vinson  
Attorney, Agent, or Firm—Dick & Harris

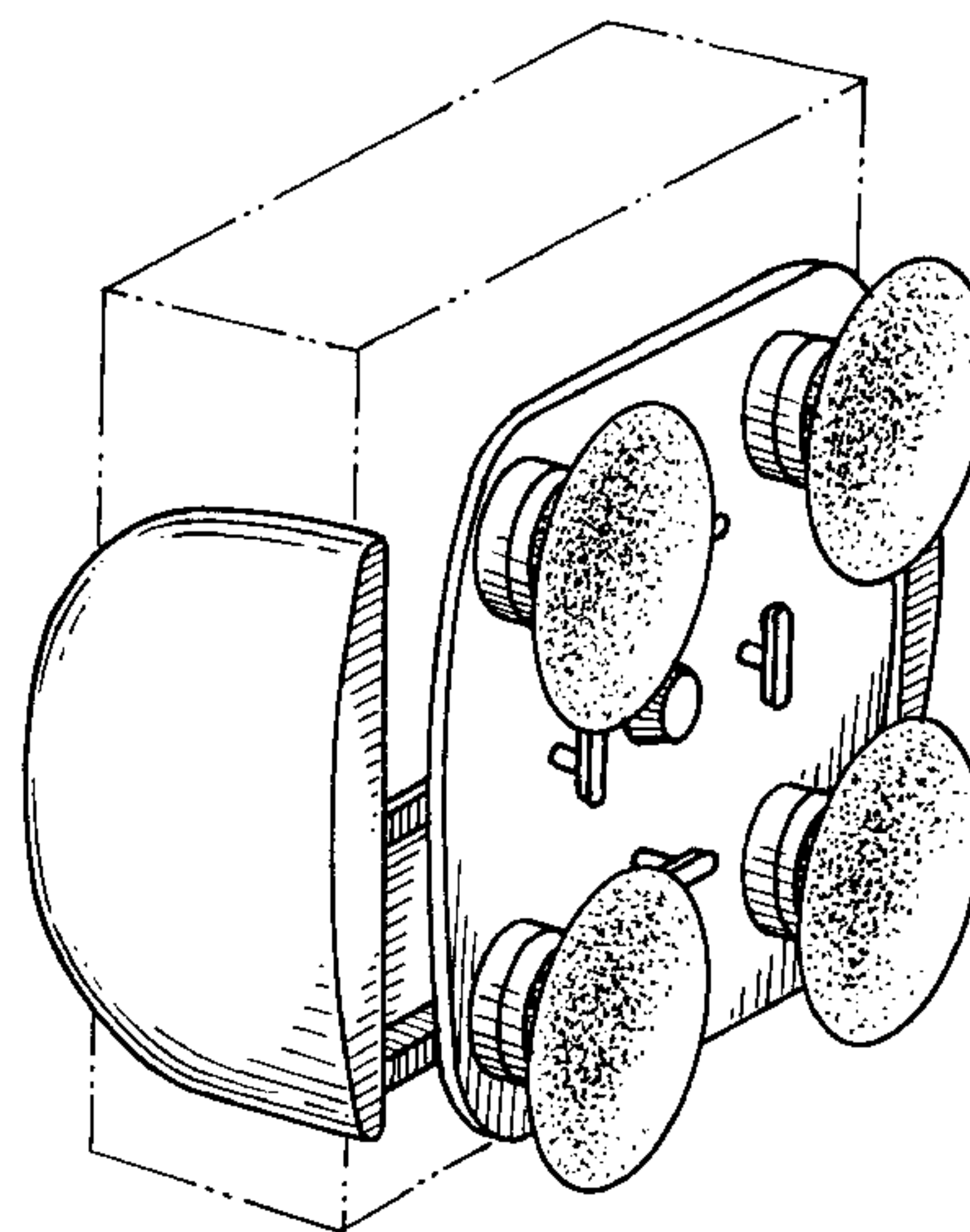
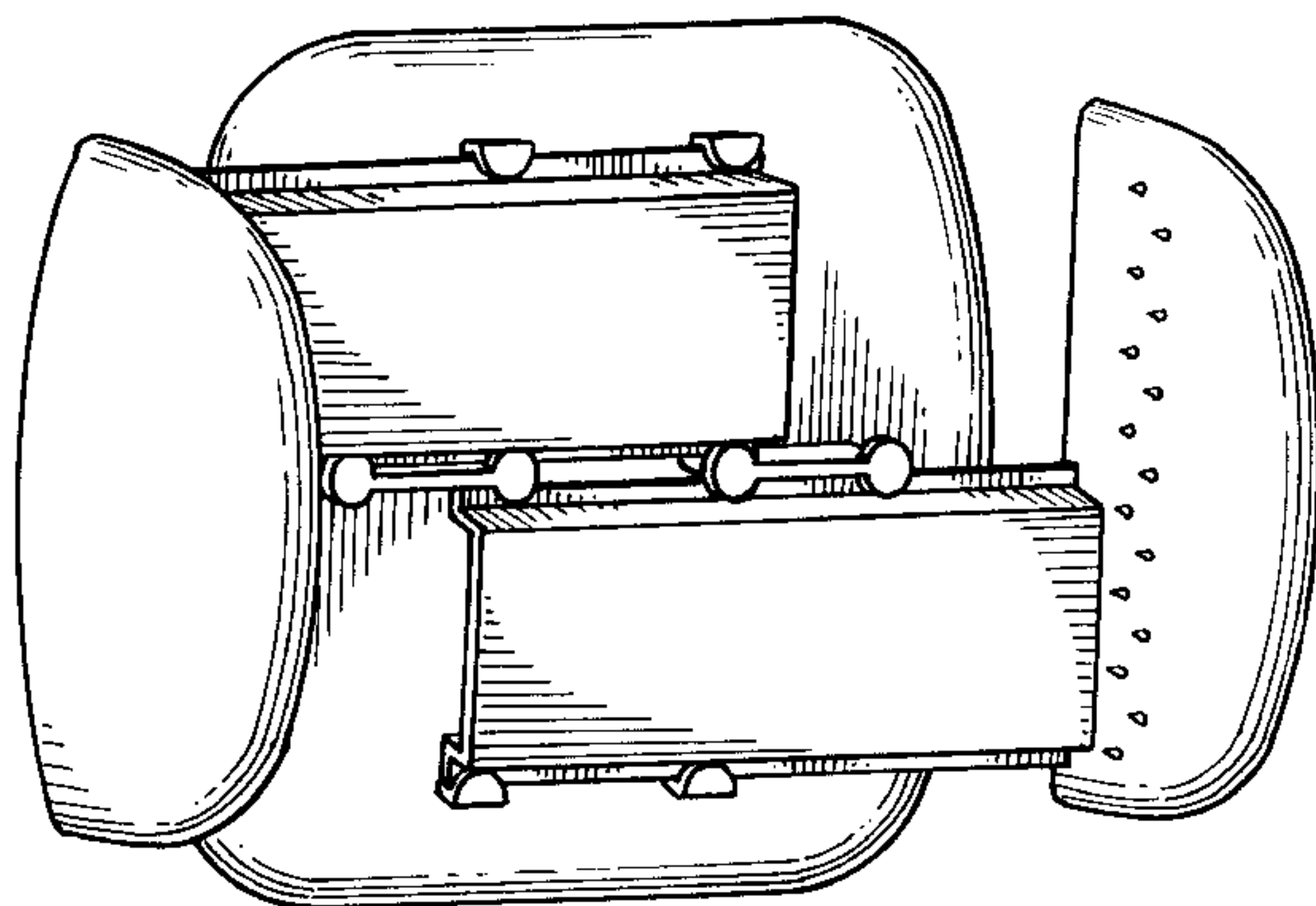
### [57] CLAIM

The ornamental design for a tissue box holder, as shown and described.

#### DESCRIPTION

FIG. 1 is a perspective view of the tissue box holder showing a new ornamental design therefor;  
FIG. 2 is a perspective view of the tissue box holder in an expanded orientation;  
FIG. 3 is a front elevational view of the tissue box holder as shown in FIG. 1;  
FIG. 4 is a side elevational view thereof;  
FIG. 5 is a top plan view thereof;  
FIG. 6 is a bottom plan view thereof; and,  
FIG. 7 is a perspective view of the tissue box holder in the orientation of FIG. 2 holding a tissue box shown in dotted lines that is not part of the invention, but is merely shown for environment.

1 Claim, 2 Drawing Sheets



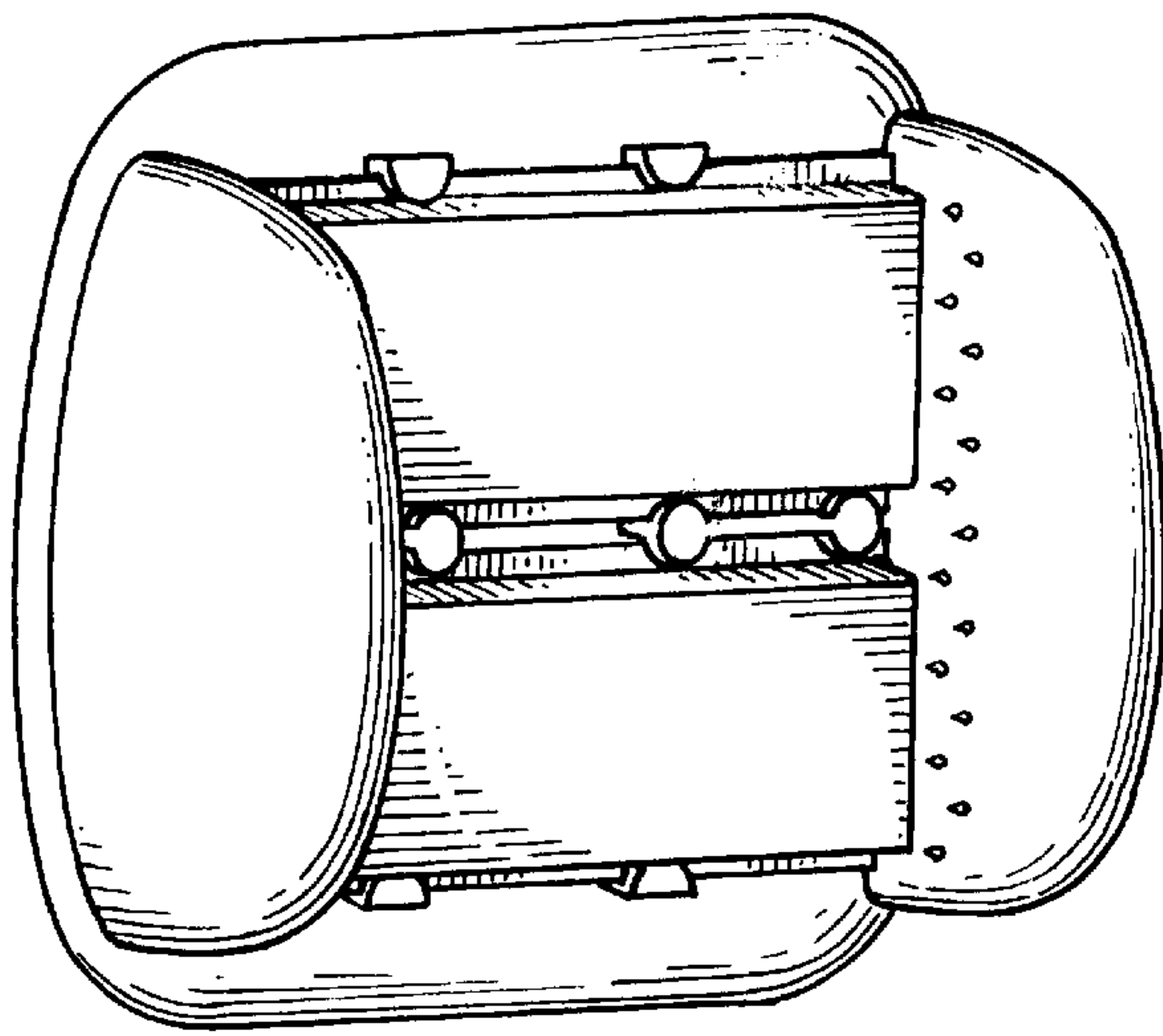


Fig 1

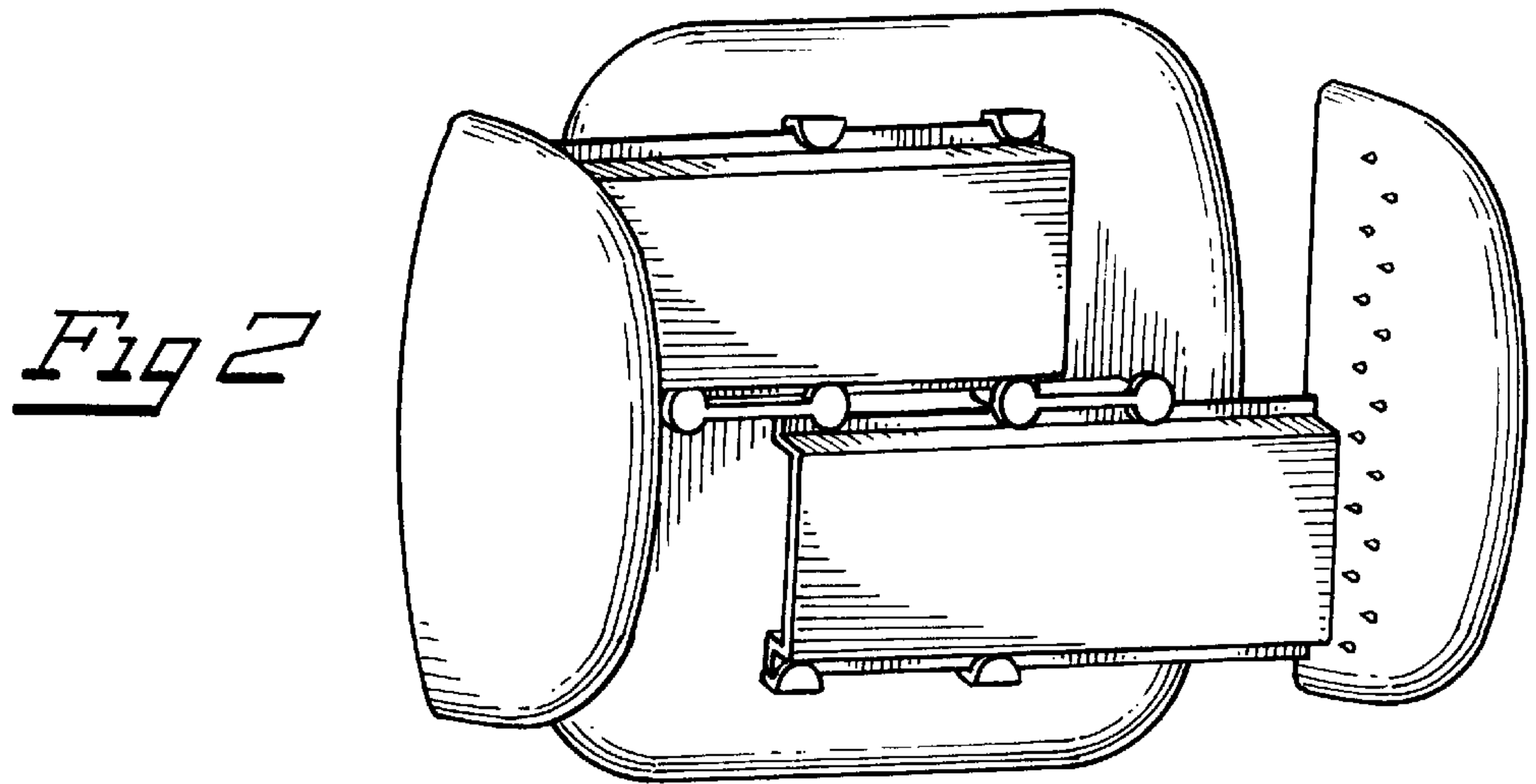


Fig 2

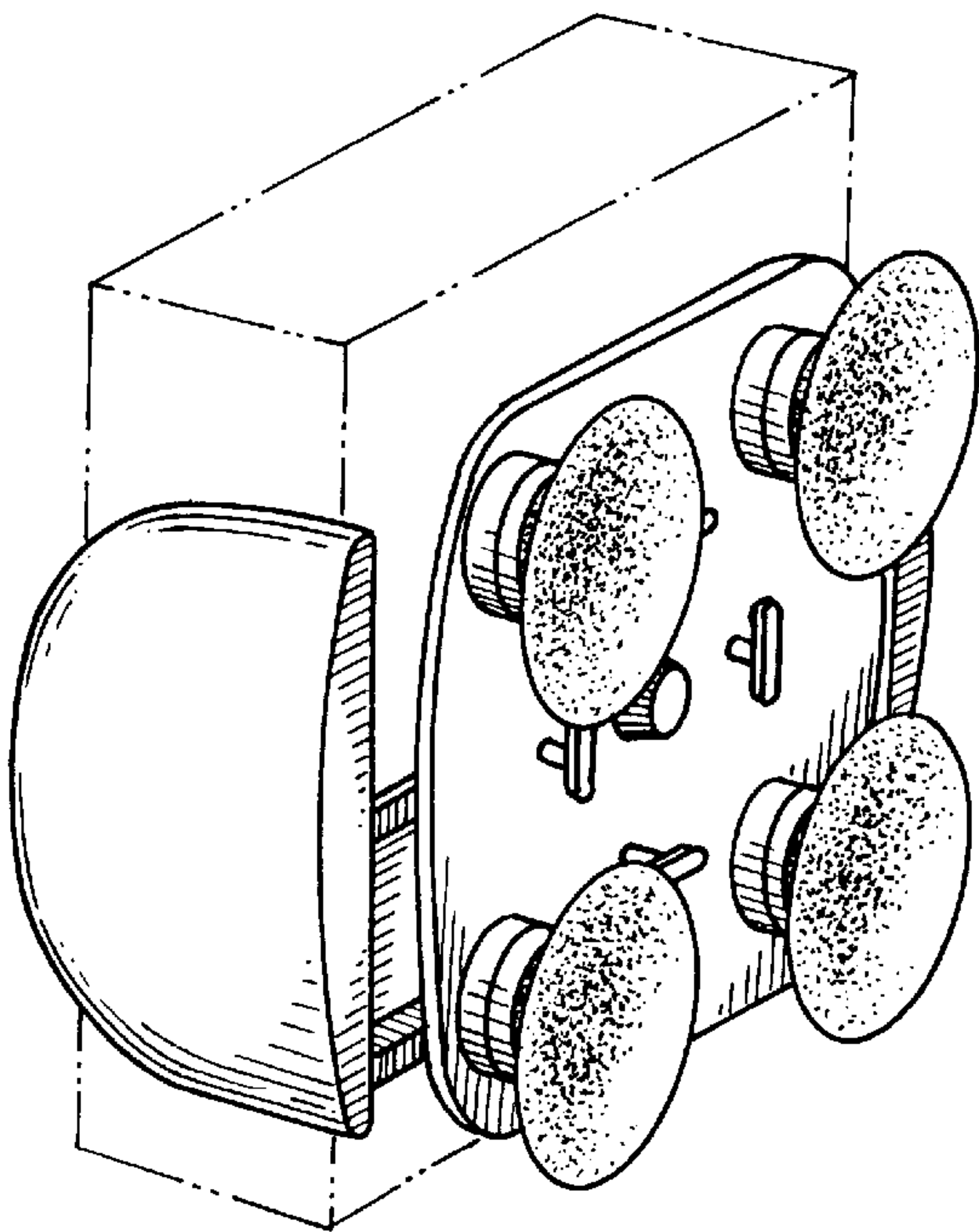


Fig 7

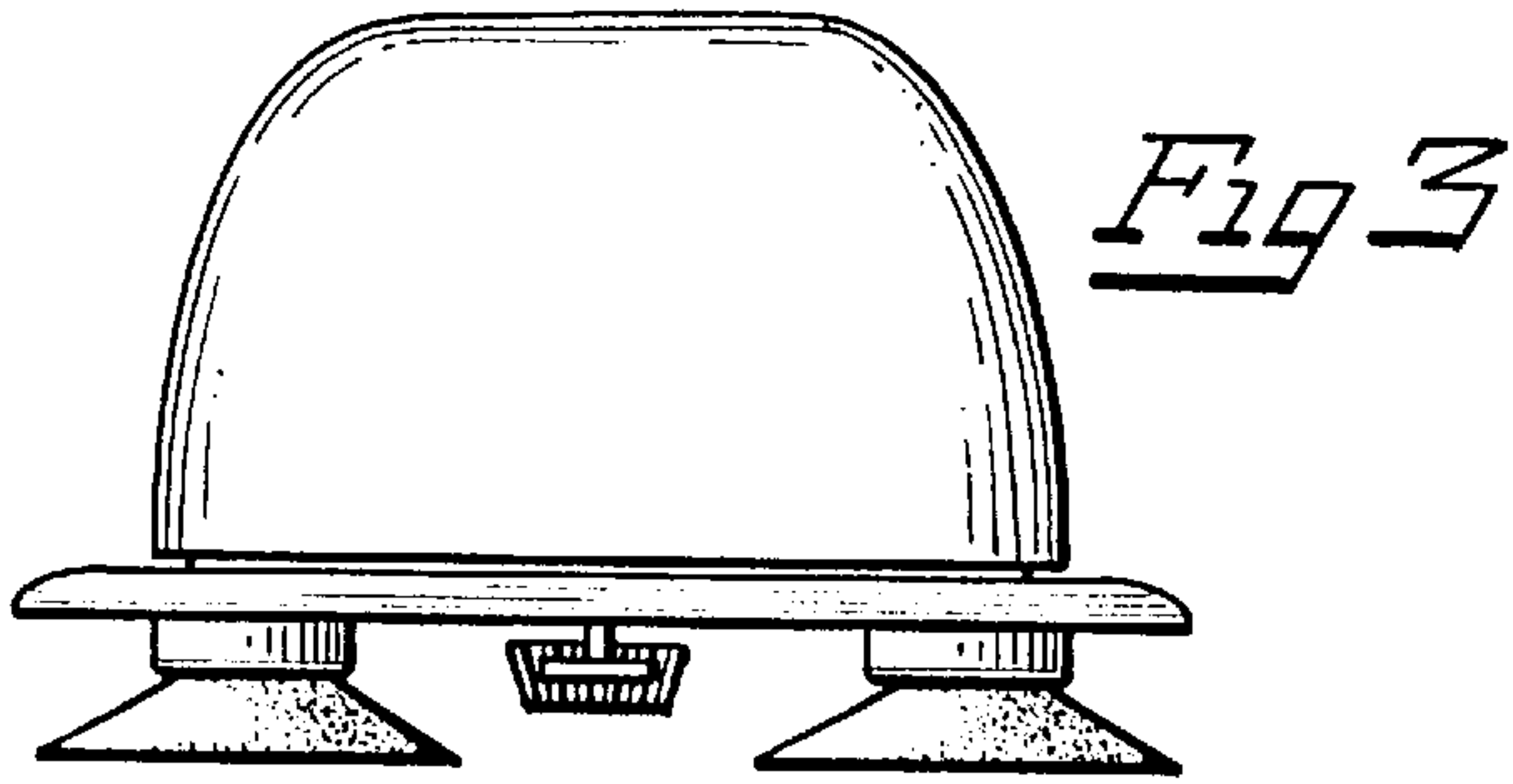


Fig 4

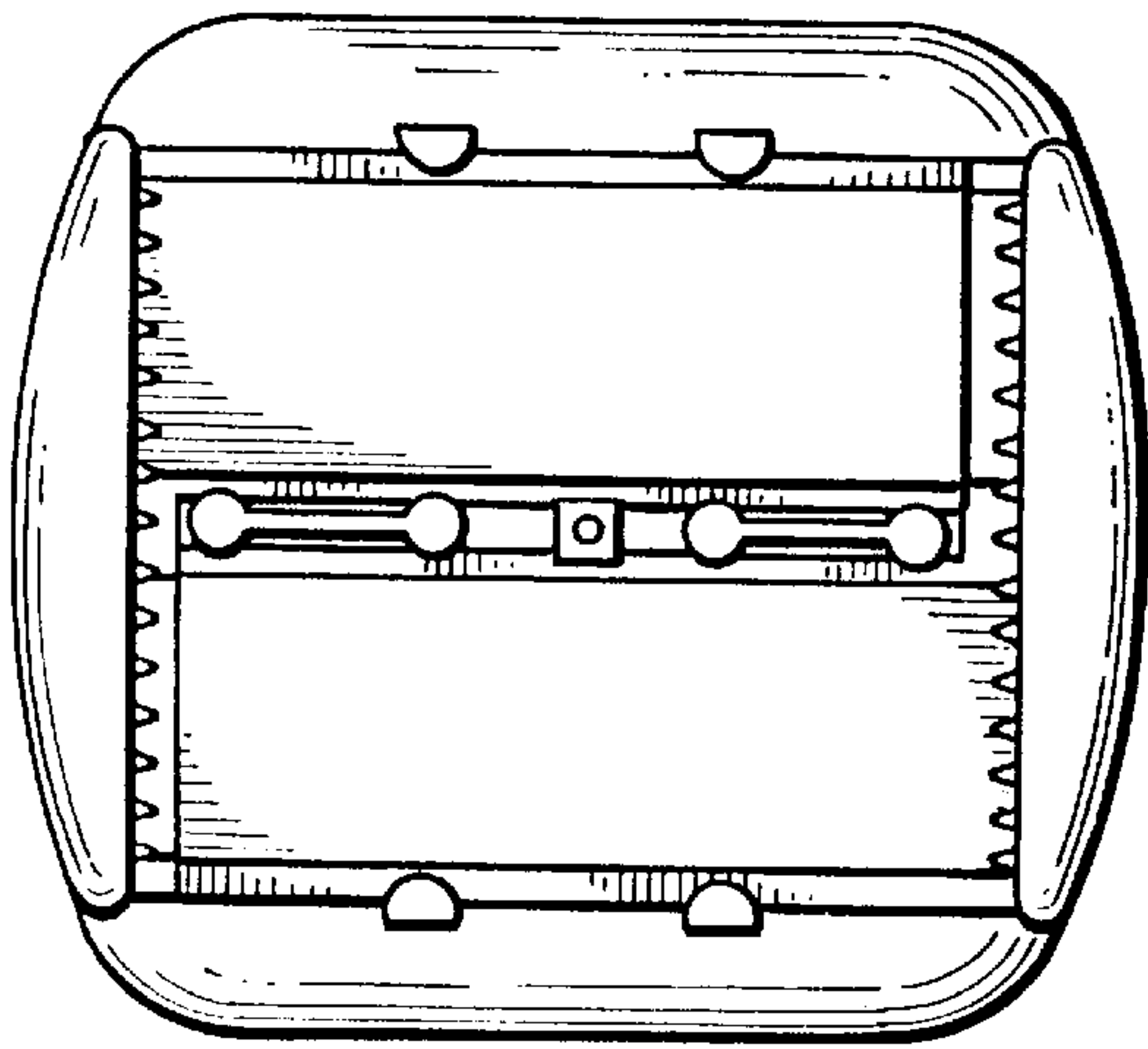
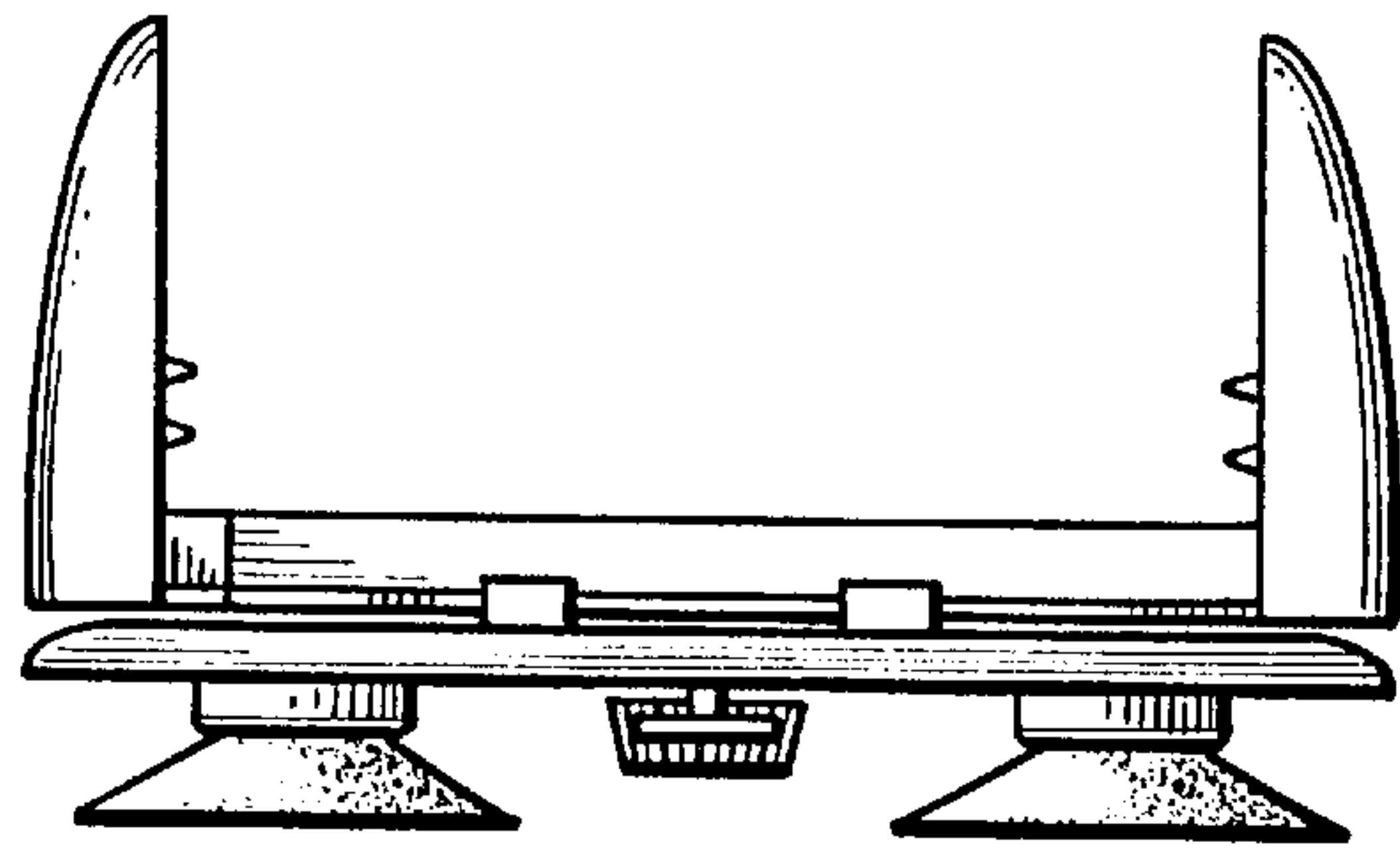


Fig 5

Fig 6

