



US00D425338S

United States Patent [19]

Schlichter et al.

[11] Patent Number: Des. 425,338

[45] Date of Patent: ** May 23, 2000

[54] **CONVERTIBLE FURNITURE FRAME**

[75] Inventors: **Mark E. Schlichter**, Chippewa Falls;
Mark S. Barton, Augusta, both of Wis.

[73] Assignee: **August Lotz Co., Inc.**, Boyd, Wis.

[**] Term: **14 Years**

[21] Appl. No.: **29/098,706**

[22] Filed: **Jan. 5, 1999**

[51] **LOC (7) Cl.** **06-06**

[52] **U.S. Cl.** **D6/492; D6/381; D6/500**

[58] **Field of Search** D6/334, 335, 364,
D6/370, 371, 379, 381, 492, 495, 500,
501, 502; 297/232, 440.23, 411.42, 411.45

[56] **References Cited**

U.S. PATENT DOCUMENTS

D. 73,232	8/1927	Kusterer	D6/379
D. 257,413	10/1980	Beall, Jr.	D6/379
616,346	12/1898	O'keefe	297/440.23
1,295,411	2/1919	Anderson et al.	297/411.45

Primary Examiner—Doris V. Coles

Assistant Examiner—Mimosa De

Attorney, Agent, or Firm—Andrus, Scales, Starke & Sawall

[57] **CLAIM**

The ornamental design for a convertible furniture frame, as shown and described.

DESCRIPTION

FIG. 1 is an isometric view of a convertible furniture frame incorporating the design of the invention;

FIG. 2 is a side elevation view thereof;

FIG. 3 is a front elevation view of the convertible furniture frame;

FIG. 4 is a side elevation view taken along line 4—4 in FIG. 3;

FIG. 5 is a back elevation view thereof;

FIG. 6 is a top plan view thereof; and,

FIG. 7 is a bottom plan view thereof.

The phantom lines shown in FIG. 1—7 showing the cushion and remaining portions of the convertible furniture frame are for illustrative purposes only and form no part of the claimed design.

1 Claim, 6 Drawing Sheets

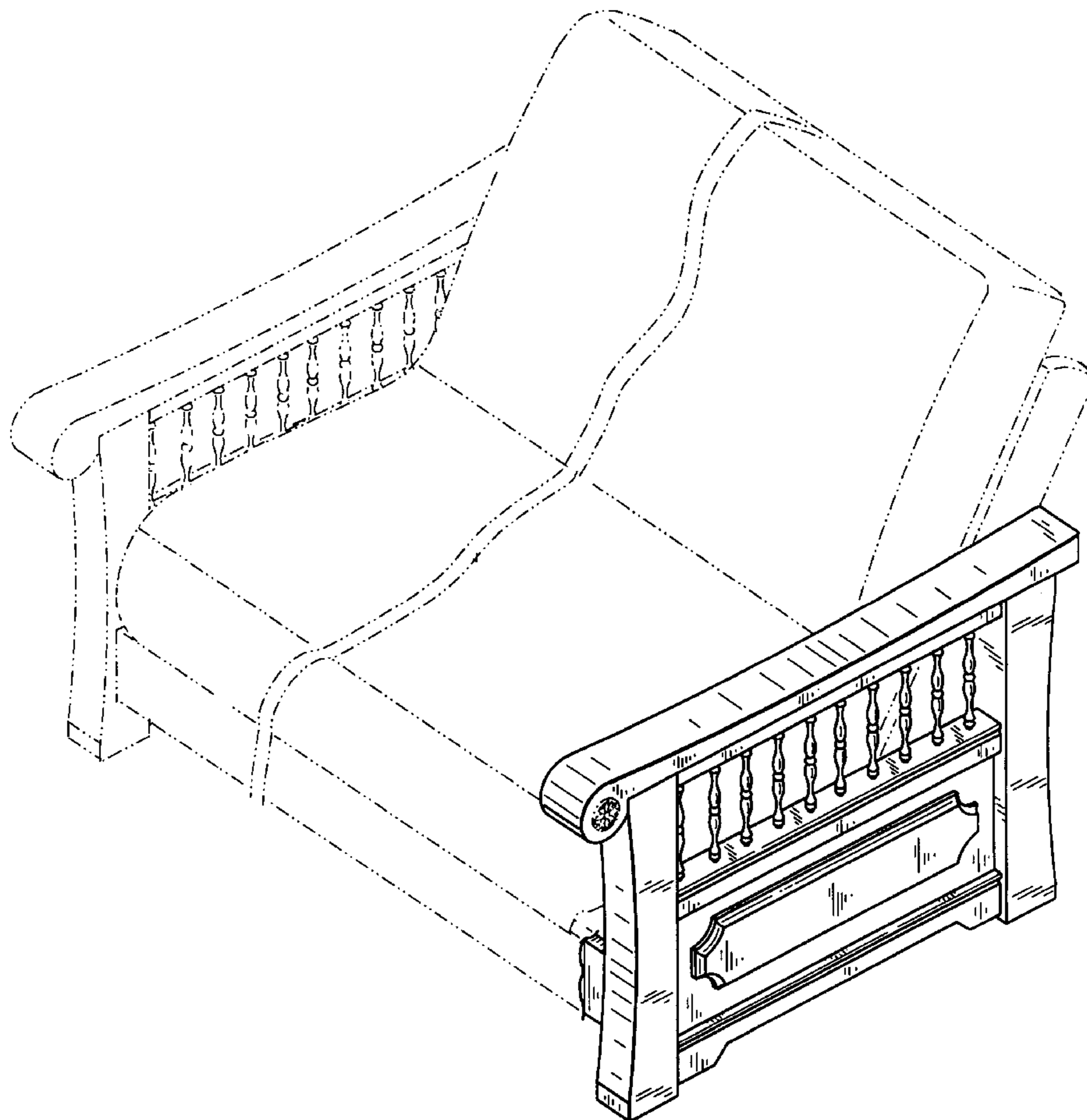


FIG. 1

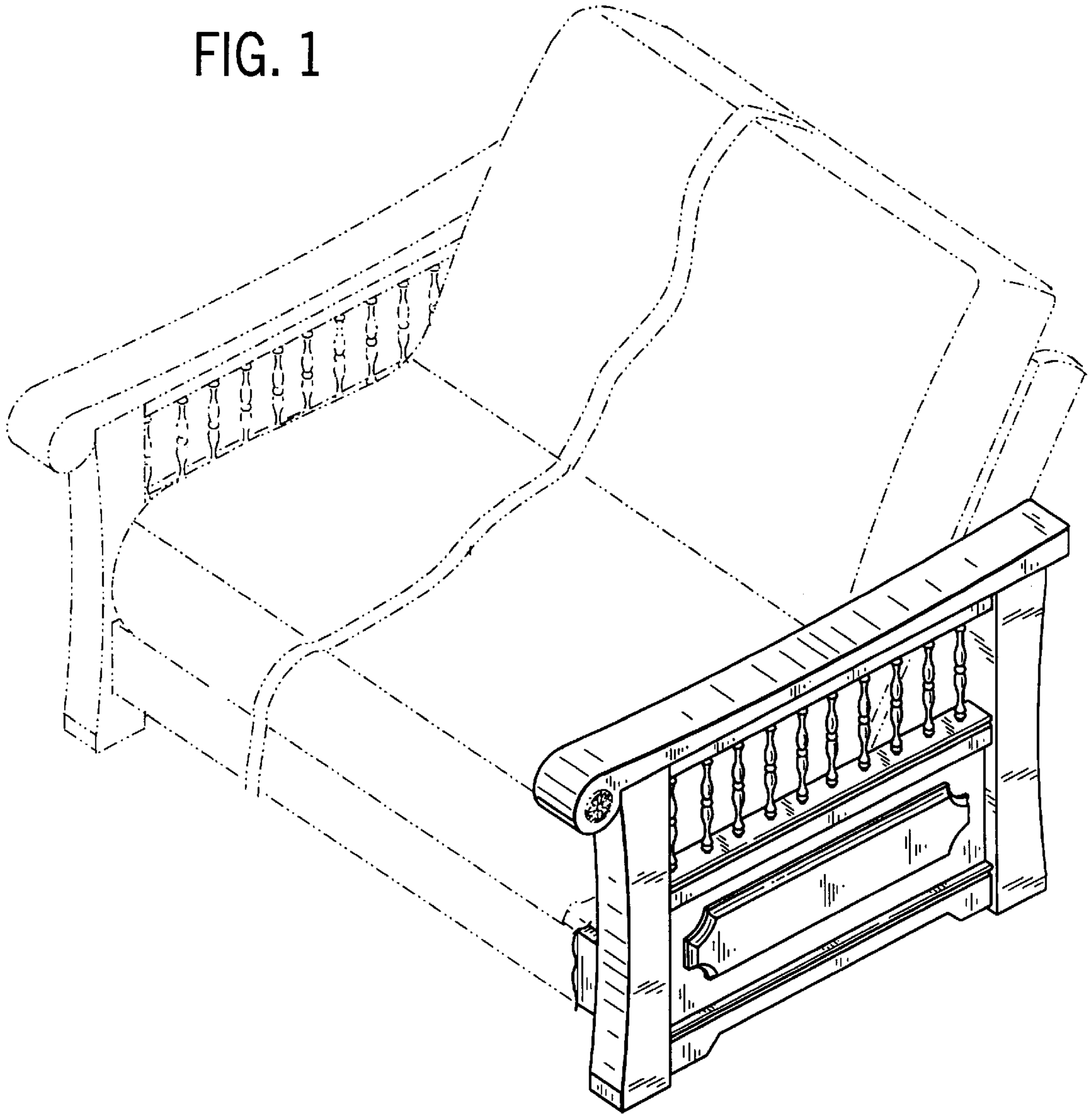


FIG. 2

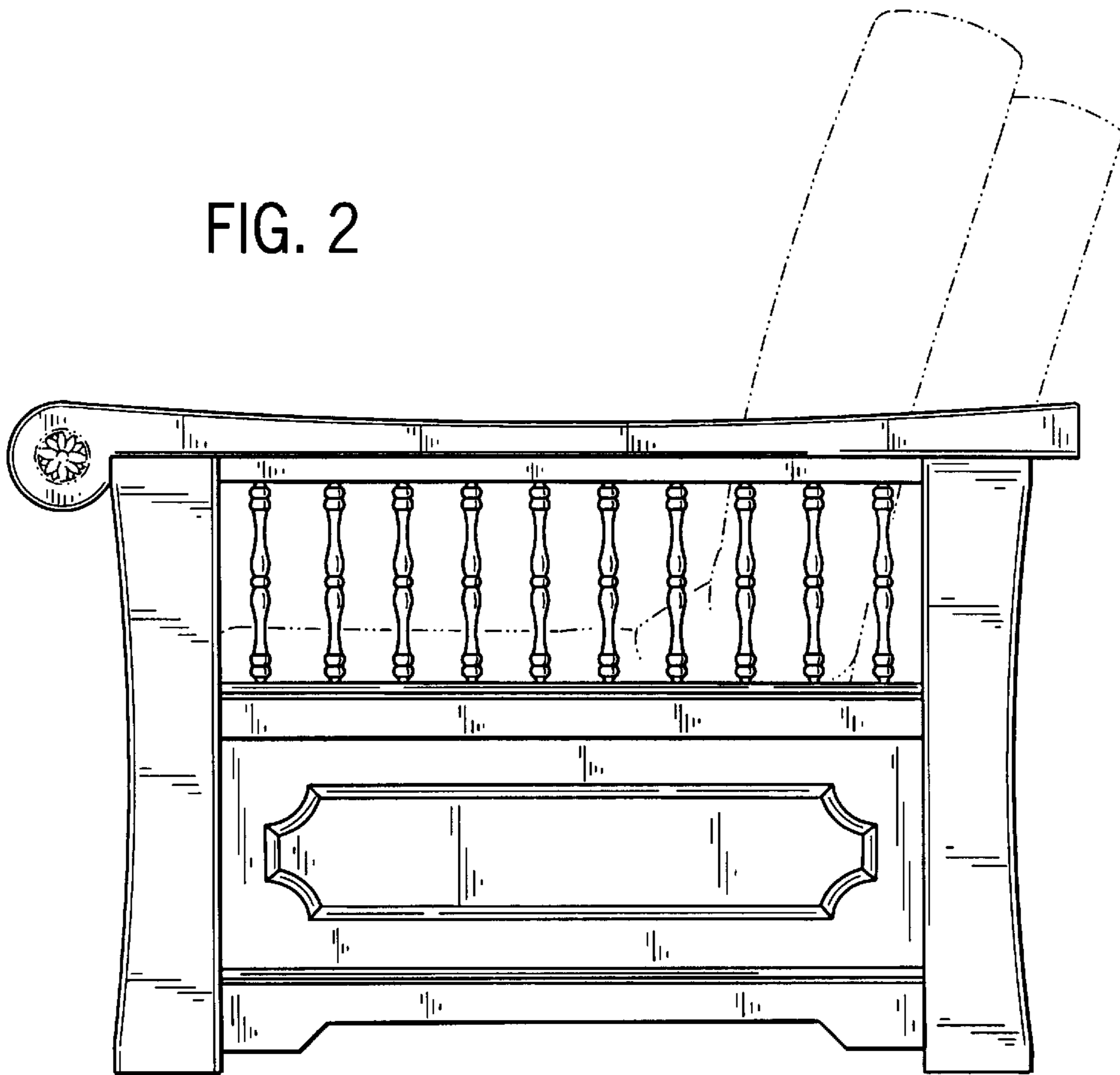
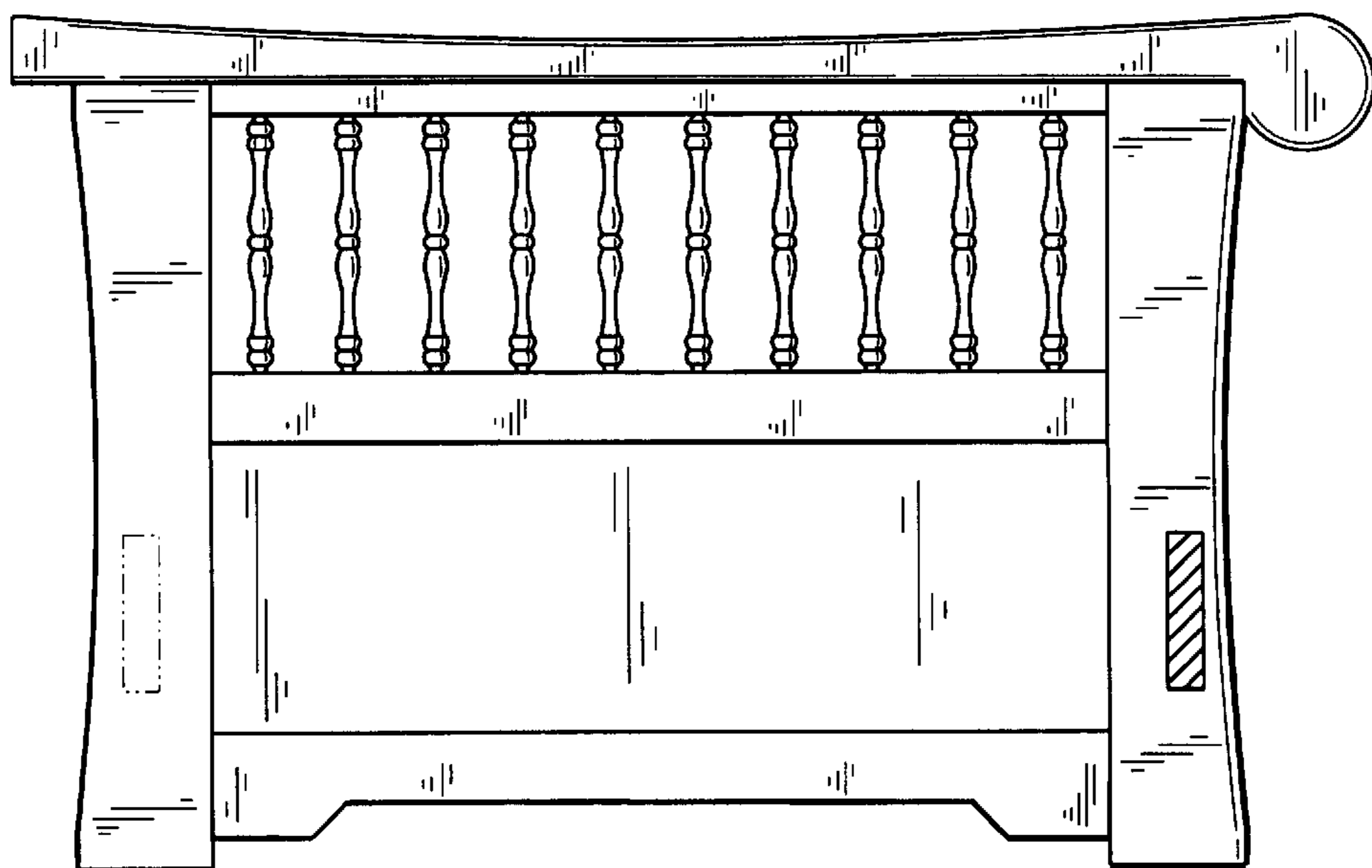


FIG. 4



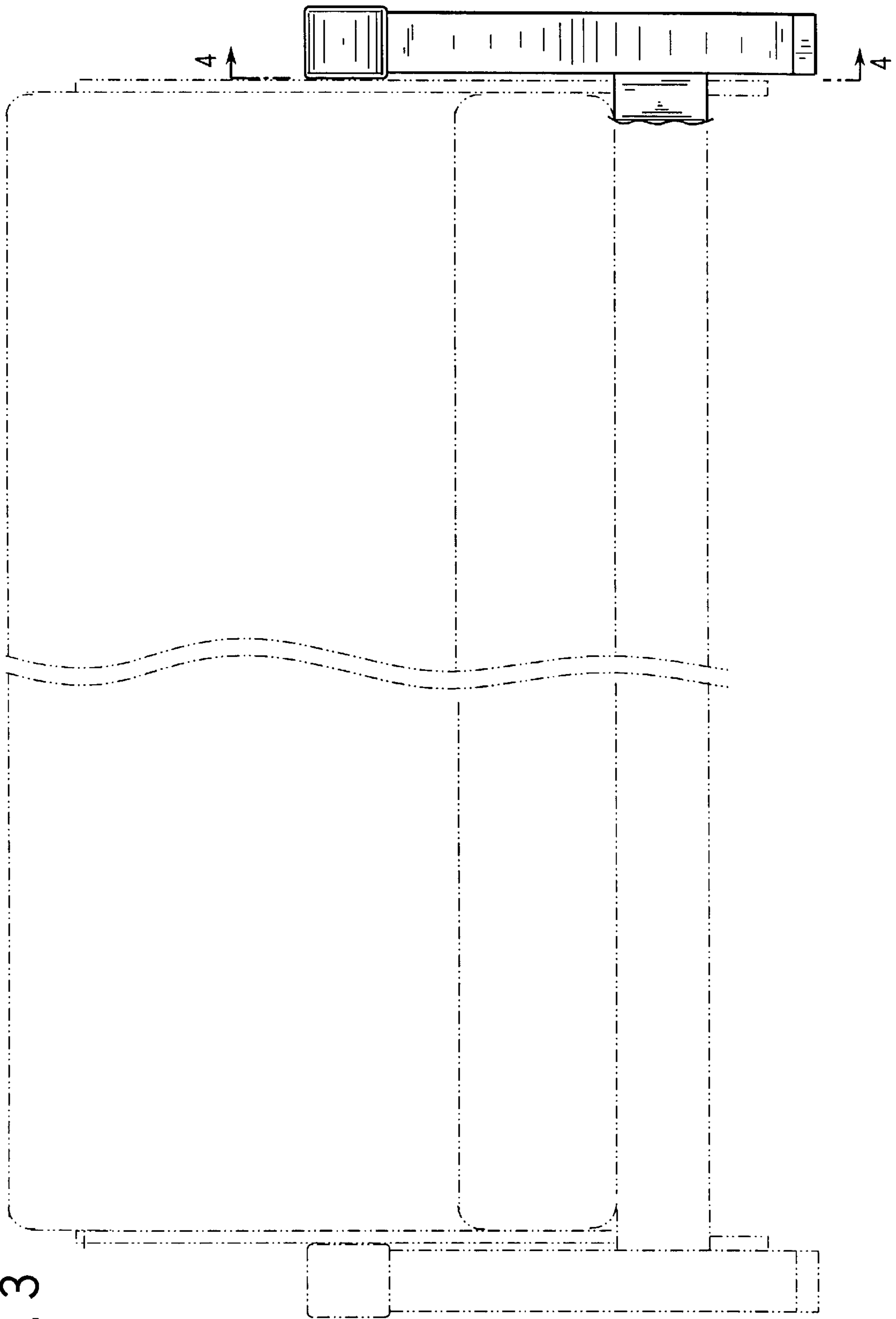


FIG. 3

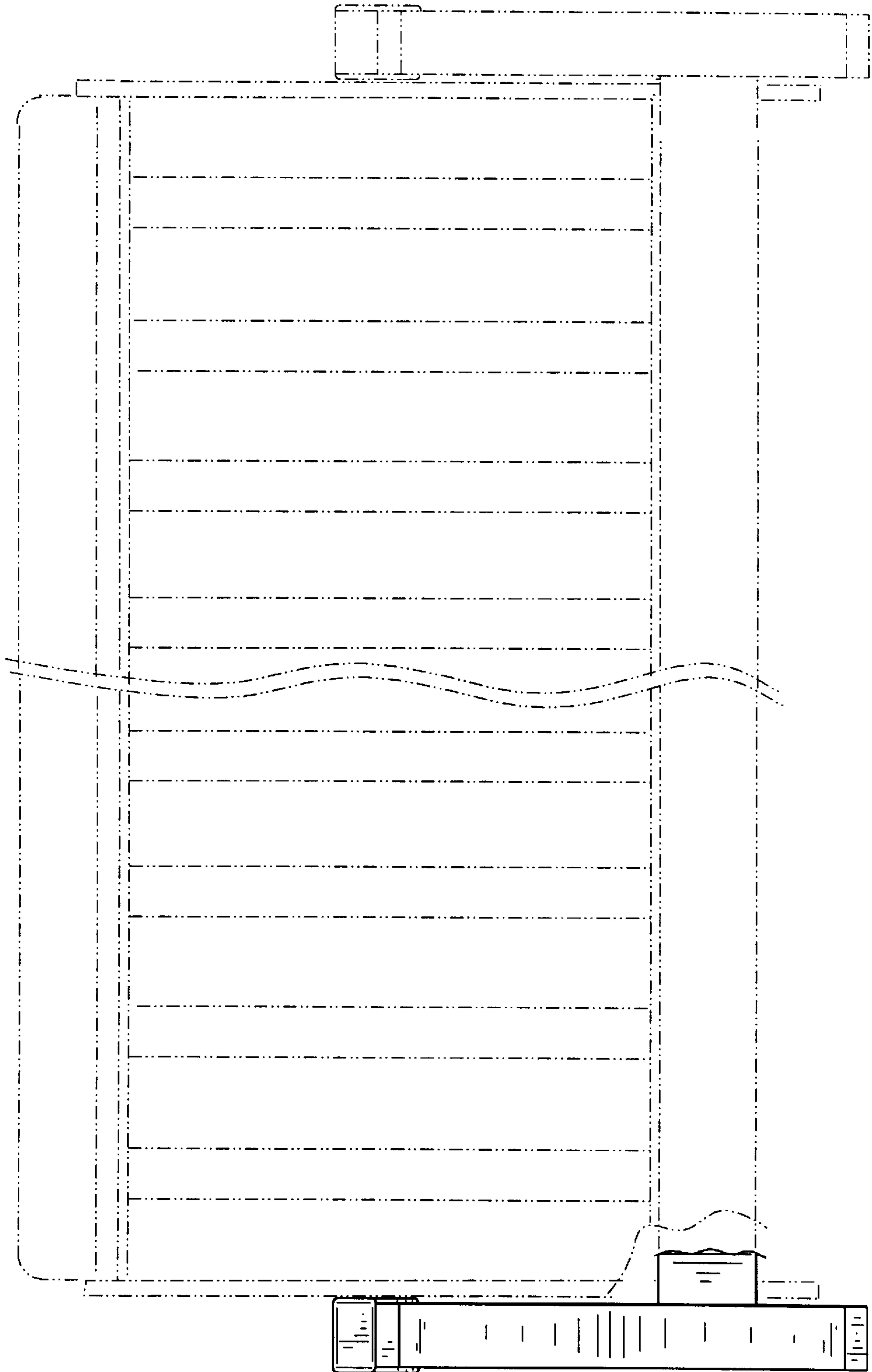


FIG. 5

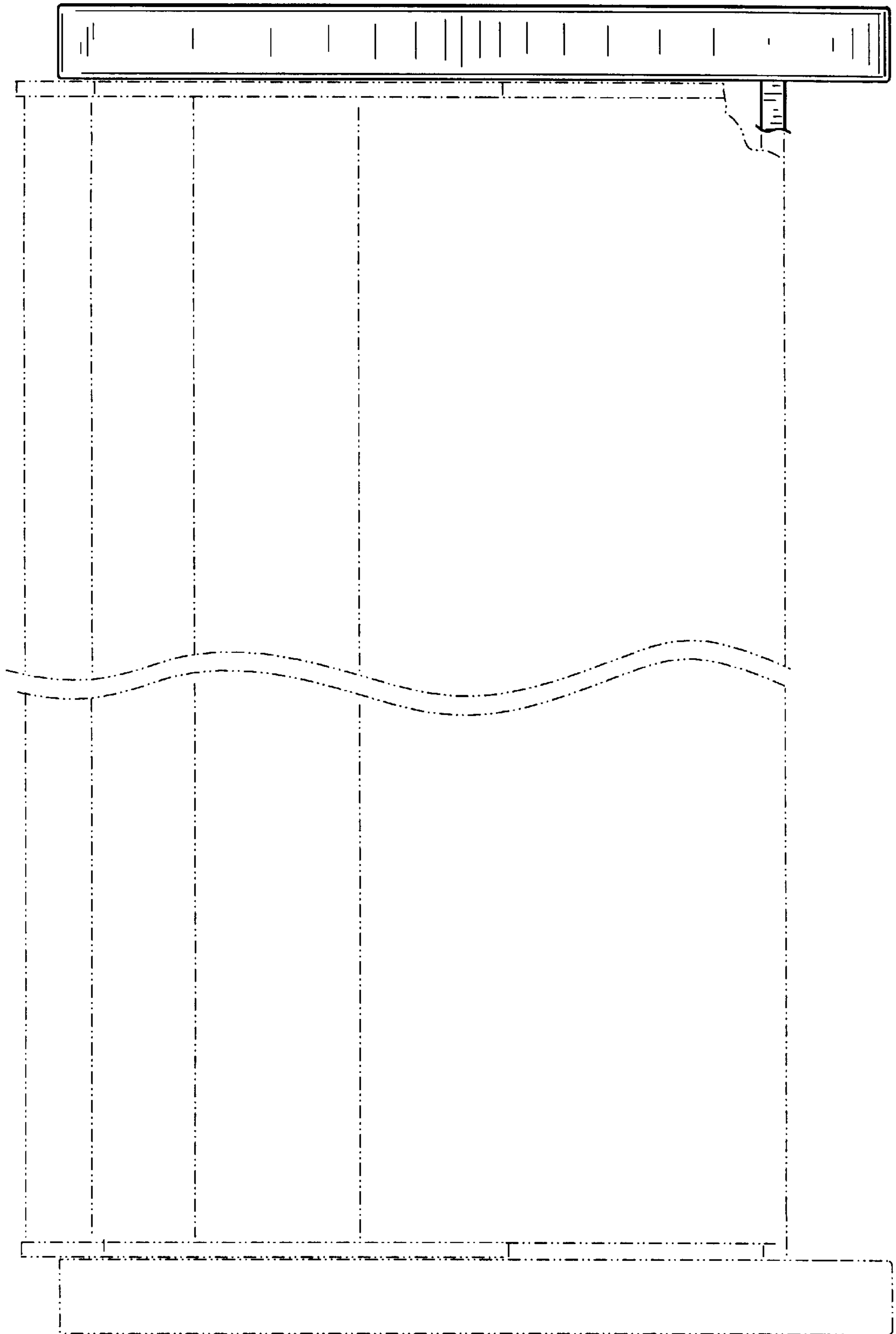


FIG. 6

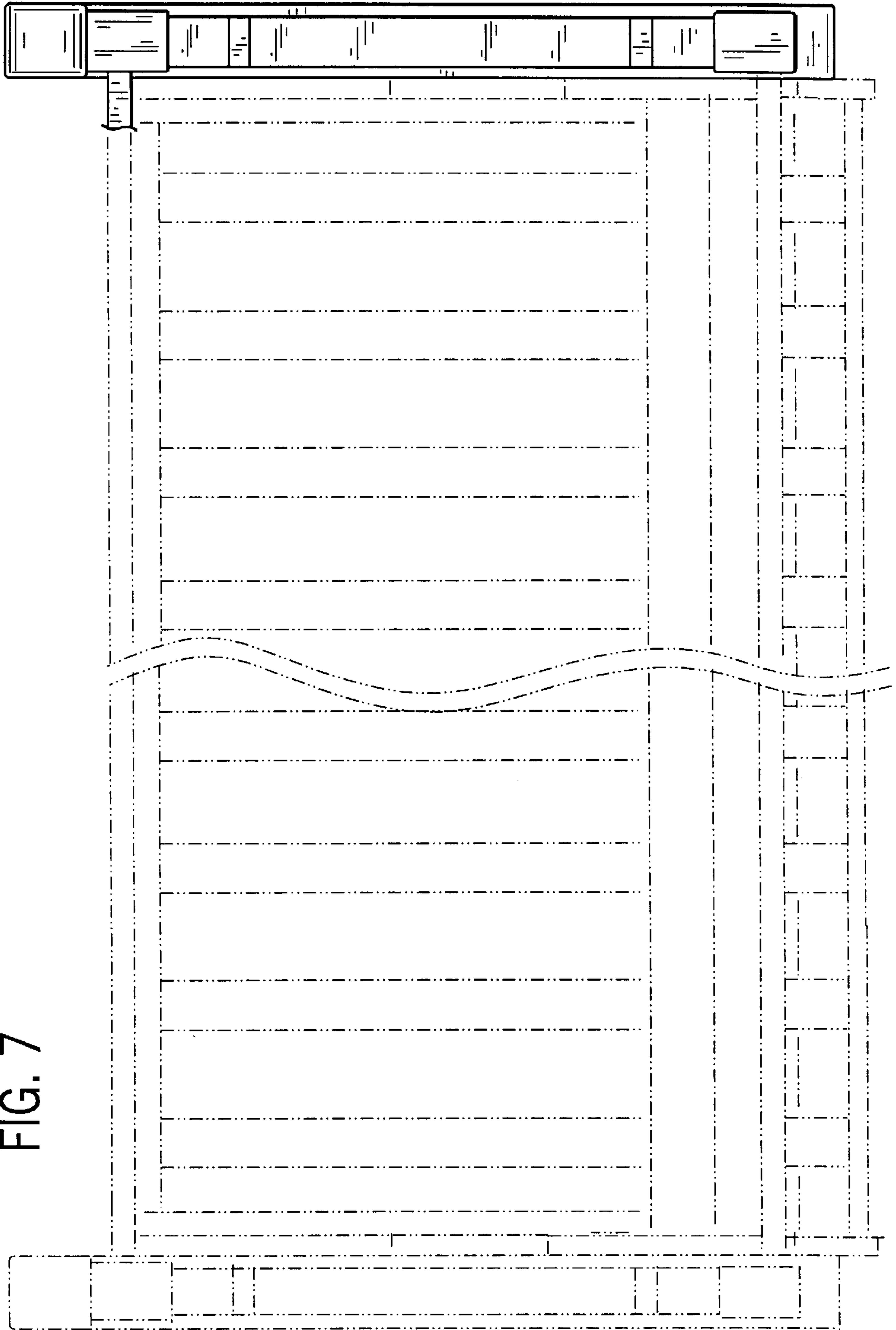


FIG. 7