



US00D425336S

**United States Patent** [19]  
**Zaidman**

[11] **Patent Number: Des. 425,336**

[45] **Date of Patent: \*\* May 23, 2000**

[54] **APRON FOR CASEGOODS**

*Attorney, Agent, or Firm—Michael Best & Friedrich LLP*

[75] Inventor: **S. Paul Zaidman**, Winnipeg, Canada

[57] **CLAIM**

[73] Assignee: **Palliser Furniture Ltd.**, Canada

The ornamental design for an apron for casegoods, as shown and described.

[\*\*] Term: **14 Years**

**DESCRIPTION**

[21] Appl. No.: **29/075,843**

FIG. 1 is a left side perspective view of an apron for casegood showing my new design, the right side being a mirror image thereof;

[22] Filed: **Aug. 29, 1997**

FIG. 2 is a front elevational view thereof;

[51] **LOC (7) Cl.** ..... **06-06**

[52] **U.S. Cl.** ..... **D6/491**

[58] **Field of Search** ..... D6/432-448, 490-492,  
D6/495, 510, 511; 512/204, 330.1, 348,  
4

FIG. 3 is a left side perspective view of a second embodiment of the apron for casegood shown in FIG. 1, the right side being a mirror image thereof;

[56] **References Cited**

**U.S. PATENT DOCUMENTS**

- D. 339,938 10/1993 Fisher ..... D6/492
- D. 347,126 5/1994 Roser, Jr. .... D6/439
- D. 399,074 10/1998 Zaidman ..... D6/439

FIG. 4 is a right side perspective view of a third embodiment of the apron for casegood shown in FIG. 1, the left side being a mirror image thereof;

FIG. 5 is a left side perspective view of a fourth embodiment of the apron for casegood shown in FIG. 1, the right side being a mirror image thereof; and,

FIG. 6 is a left side perspective view of FIG. 5 on a different casegood, the right side being a mirror image thereof.

**OTHER PUBLICATIONS**

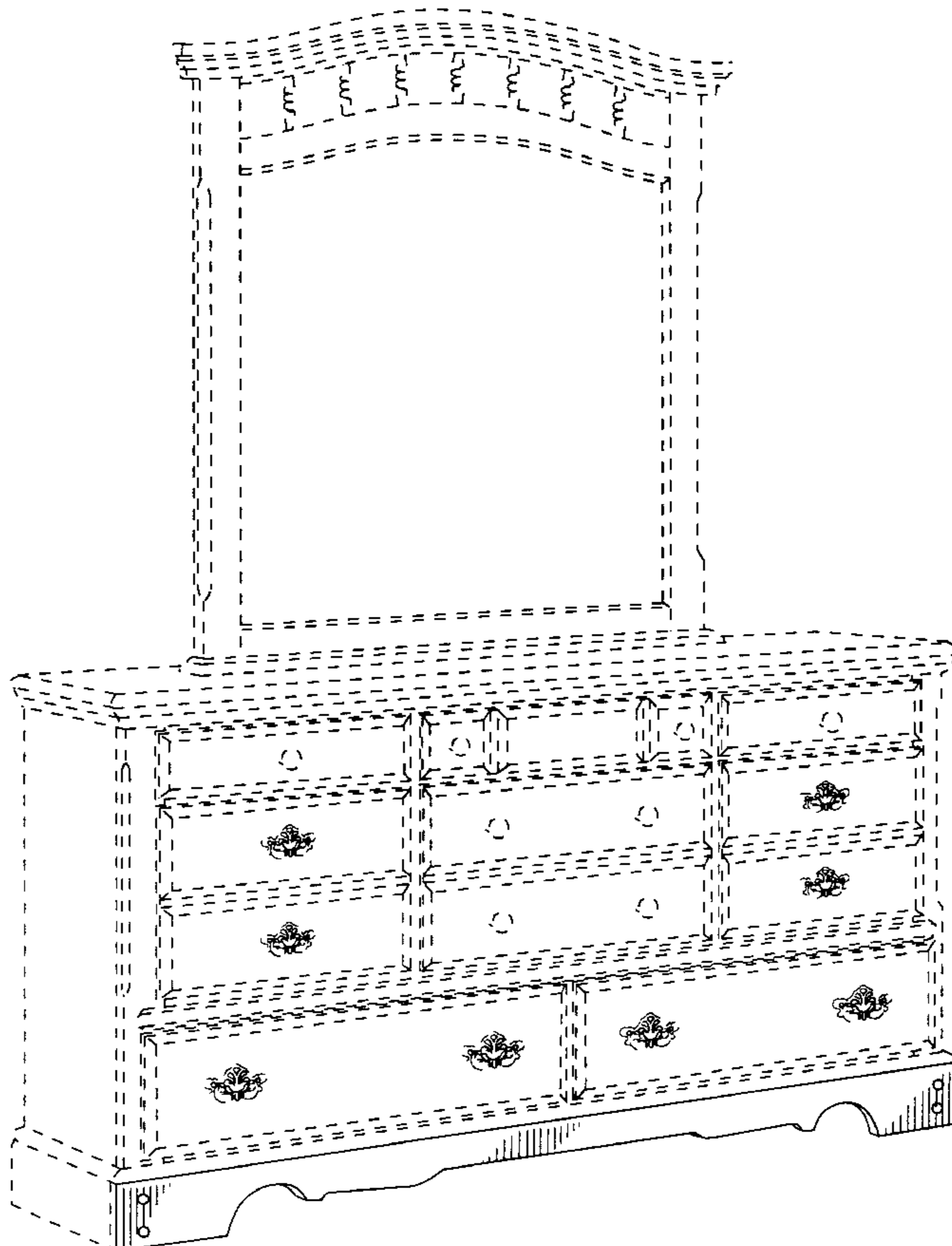
Sturbridge Yankee Workshop,p. 22; portable server top center on page, 1971/1972.  
Yield House,p. 17; three drawer chest bottom left on page, Jun. 20, 1975.

The broken lines shown throughout the views are for illustrative purposes only.

The surfaces or portions of the article not shown in the drawing or described in the specification form no part of the claimed design.

*Primary Examiner—Carmen H. Vales-Ladd*

**1 Claim, 6 Drawing Sheets**



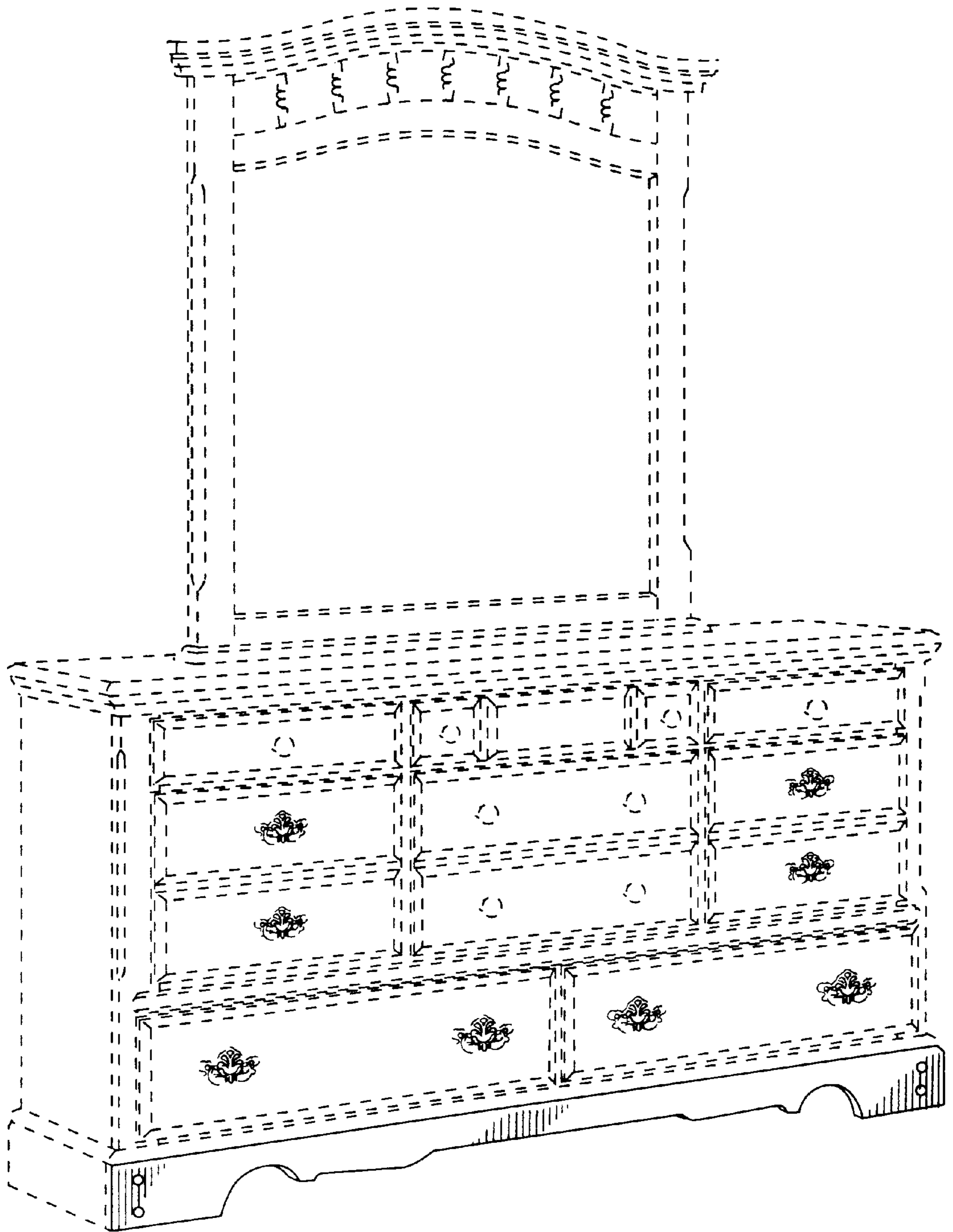


FIG. 1

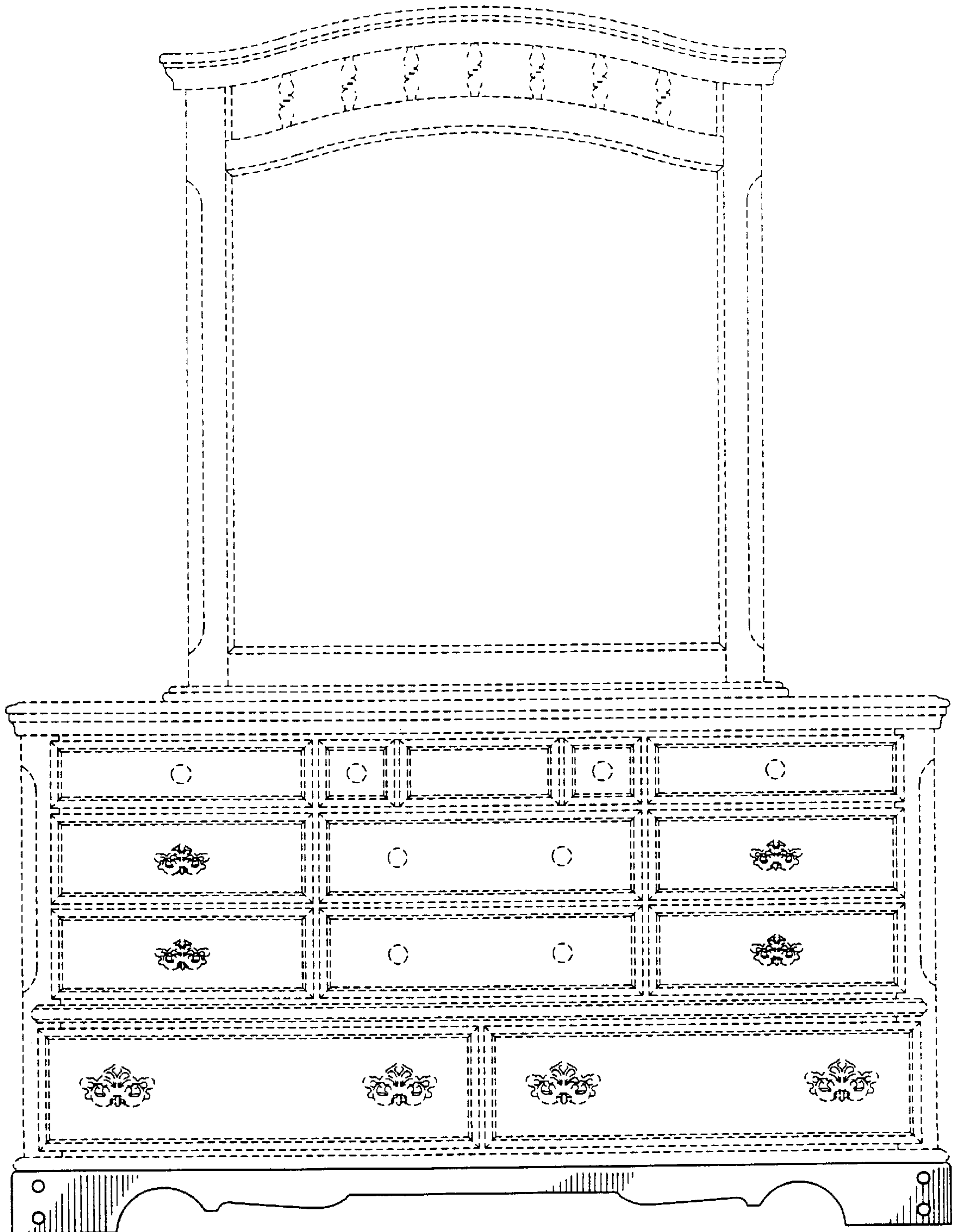


FIG. 2

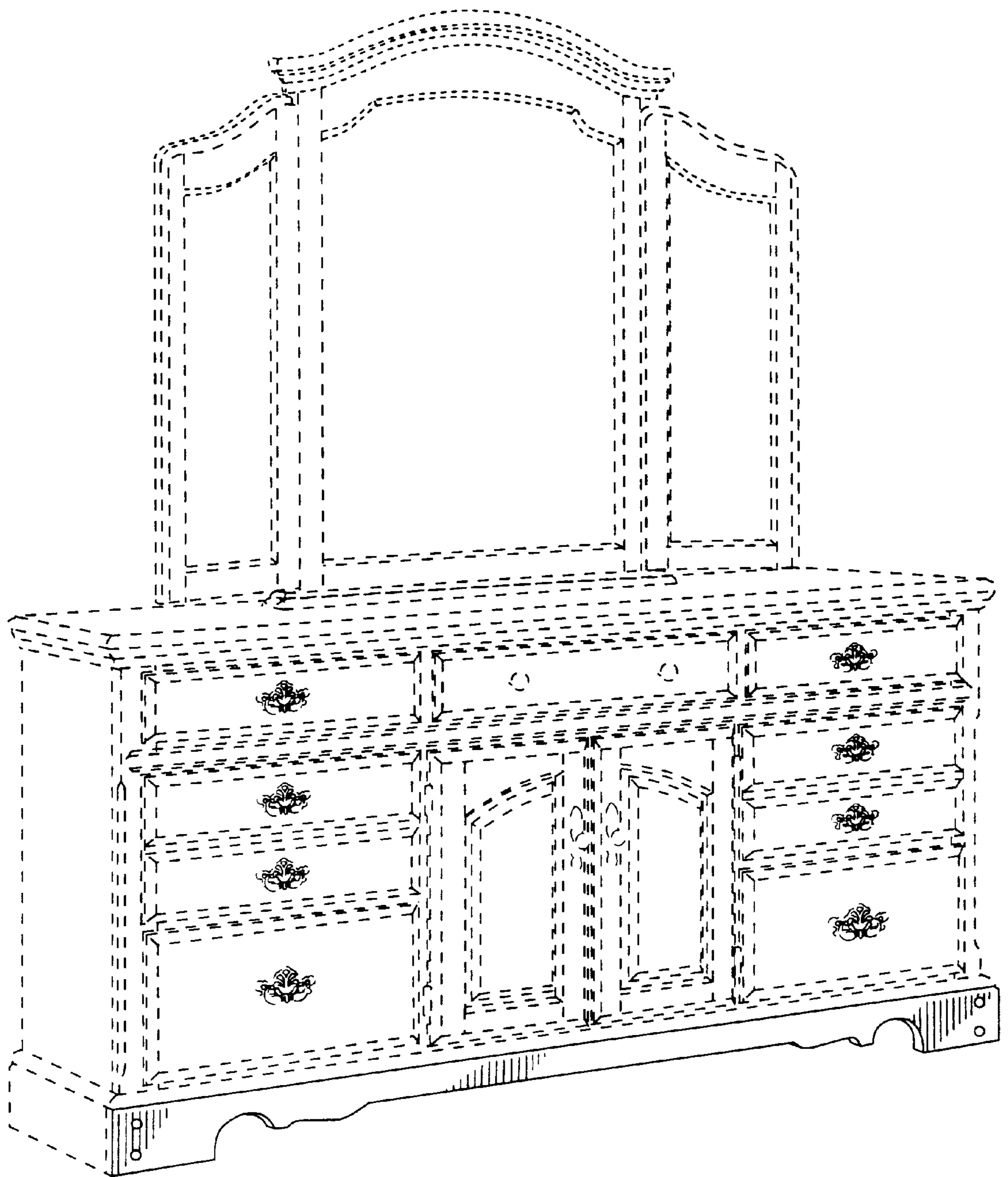
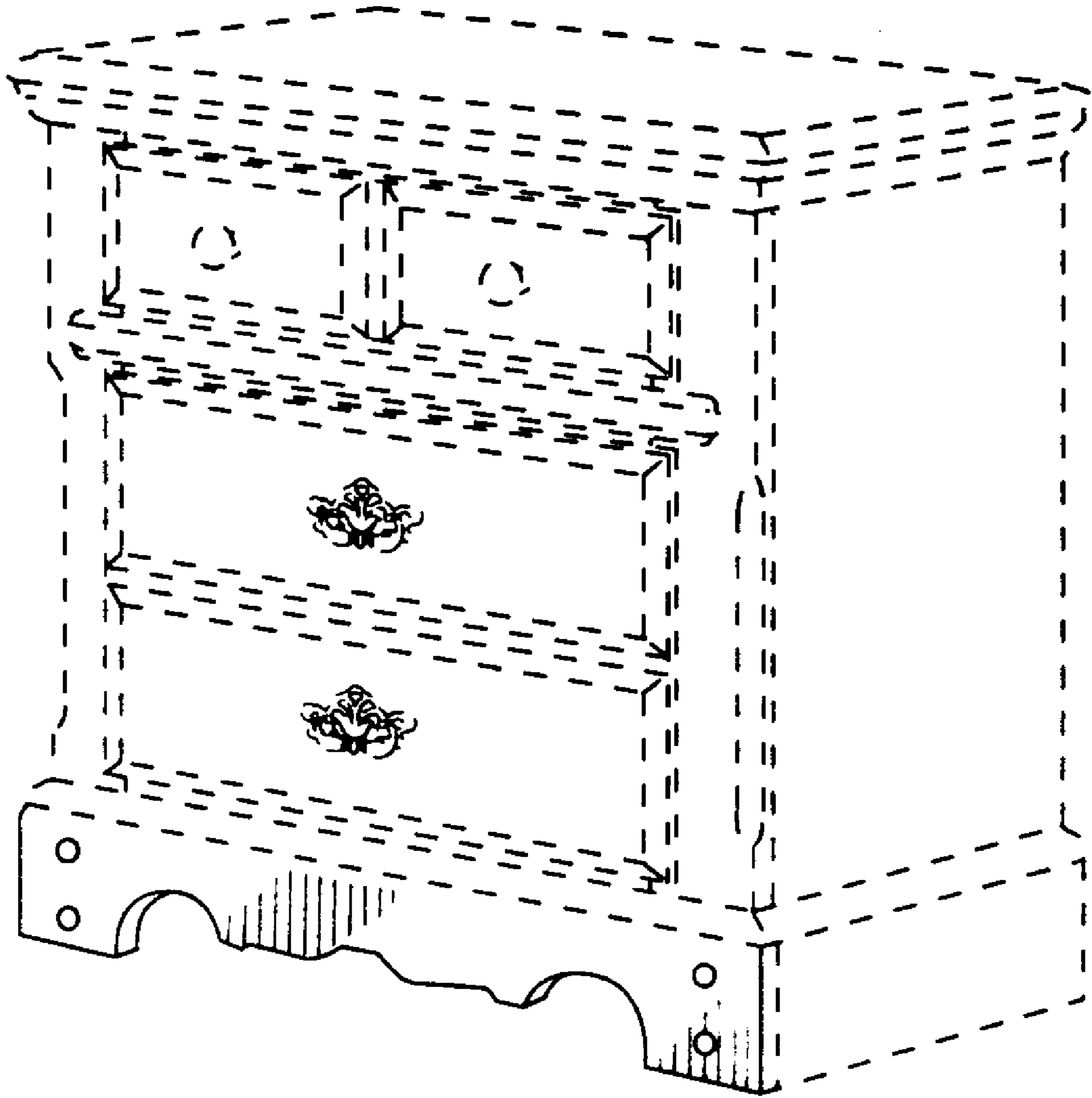


FIG. 3





**FIG. 4**

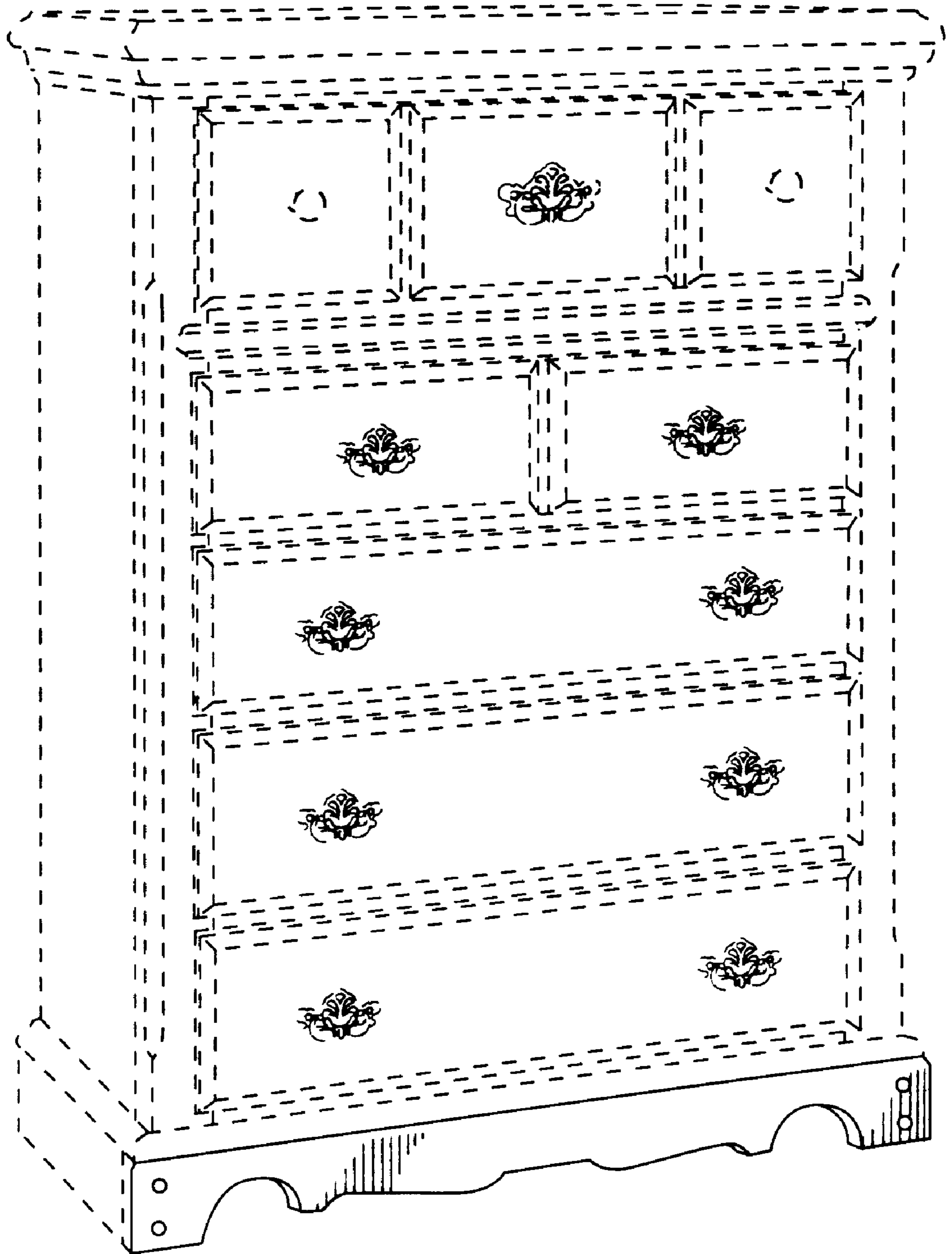


FIG. 5

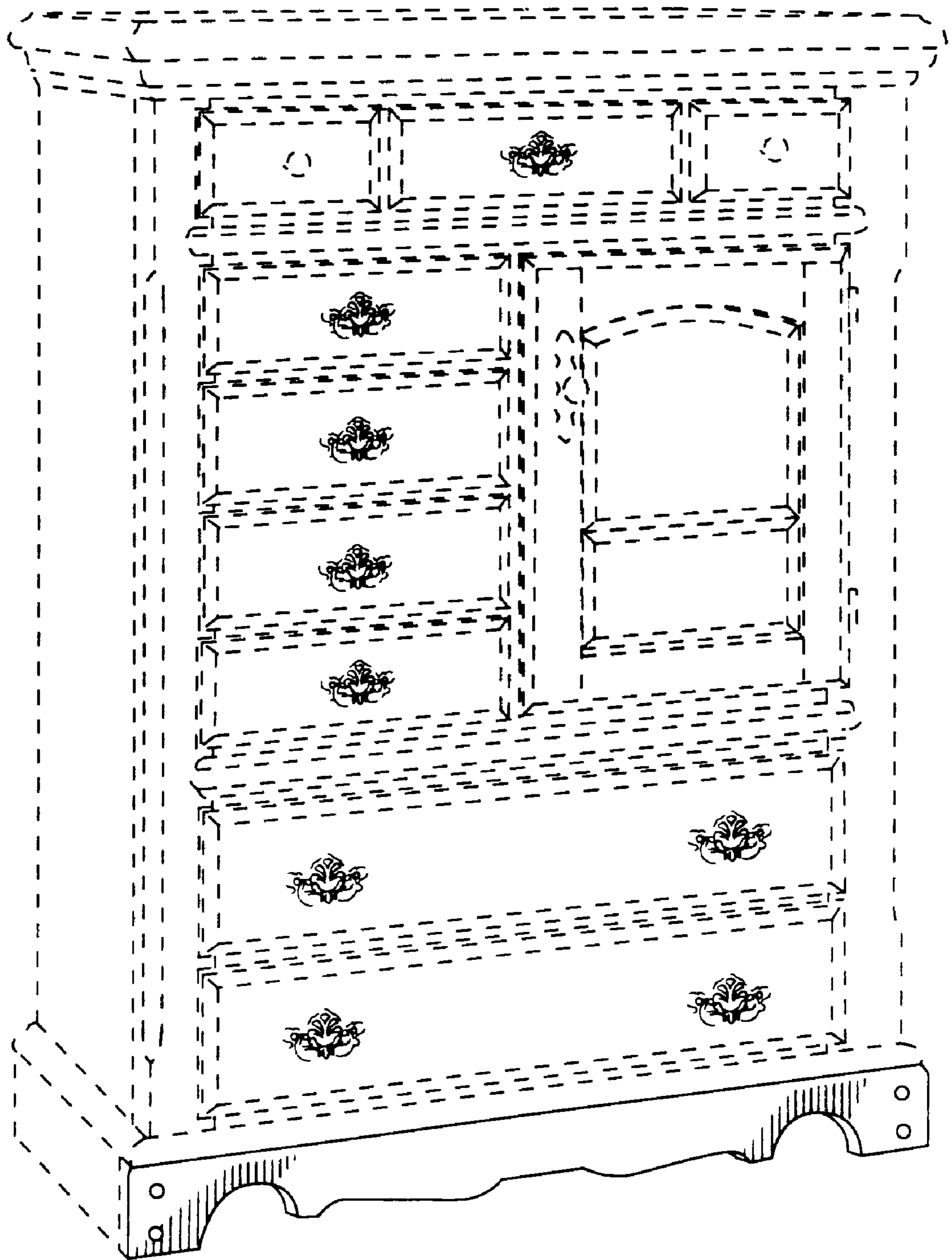


FIG. 6