



US00D425327S

United States Patent [19]
Levesque

[11] **Patent Number: Des. 425,327**

[45] **Date of Patent: ** May 23, 2000**

[54] **CIRCULAR FLOWERPOT SUPPORT**

[76] Inventor: **Micheline Levesque**, 215 Grande Allee,
Terrebonne, Canada, J6W 4S2

[**] Term: **14 Years**

[21] Appl. No.: **29/100,991**

[22] Filed: **Feb. 22, 1999**

[51] **LOC (7) Cl.** **11-02**

[52] **U.S. Cl.** **D6/403**

[58] **Field of Search** D6/403, 405; D11/152;
47/39, 44-47; 248/27.8; 206/423

[56] **References Cited**

U.S. PATENT DOCUMENTS

D. 198,698	7/1964	Cucullo	D6/403
D. 299,088	12/1988	Monza	D6/403
	779,924	1/1905	Gommel 47/39 X
	3,298,650	1/1967	Mann 47/39 X

Primary Examiner—Doris V. Coles
Assistant Examiner—Mimosa De
Attorney, Agent, or Firm—Eric Fincham

[57] **CLAIM**

The ornamental design for a “circular flowerpot support”, as shown and described.

DESCRIPTION

FIG. 1 is a exploded perspective view of a “circular flowerpot support” showing my new design;

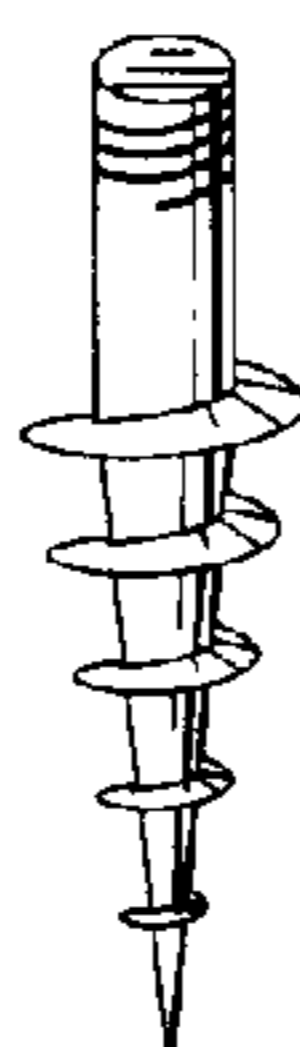
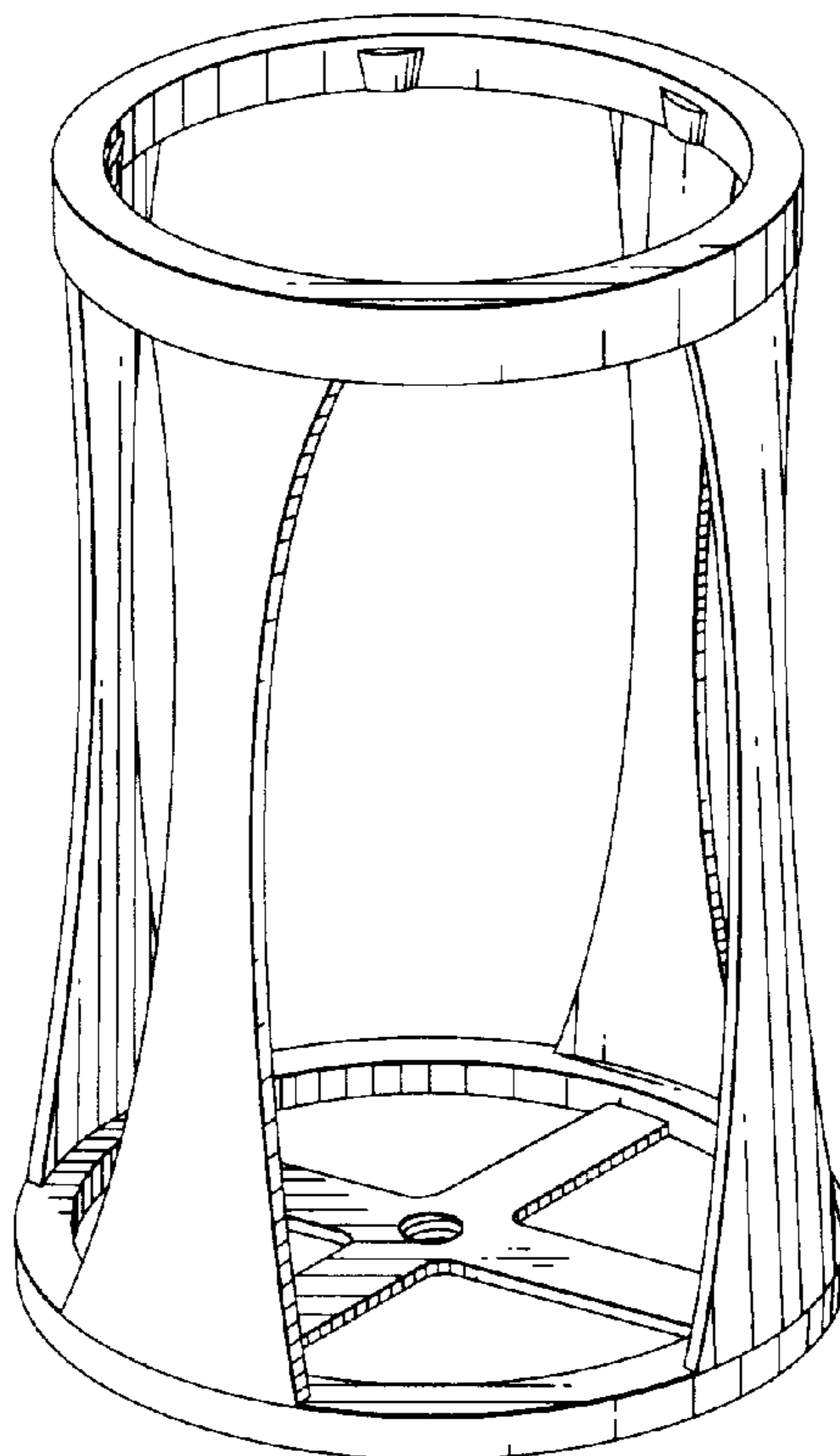
FIG. 2 is a top view thereof;

FIG. 3 is a side elevational view thereof, with the fastening element removed for clarity of illustration, the opposite side being identical; and,

FIG. 4 is an elevational view of FIG. 1.

The environmental features in FIGS. 3 and 4 are for illustrative purposes only and form no part of the claimed design.

1 Claim, 1 Drawing Sheet



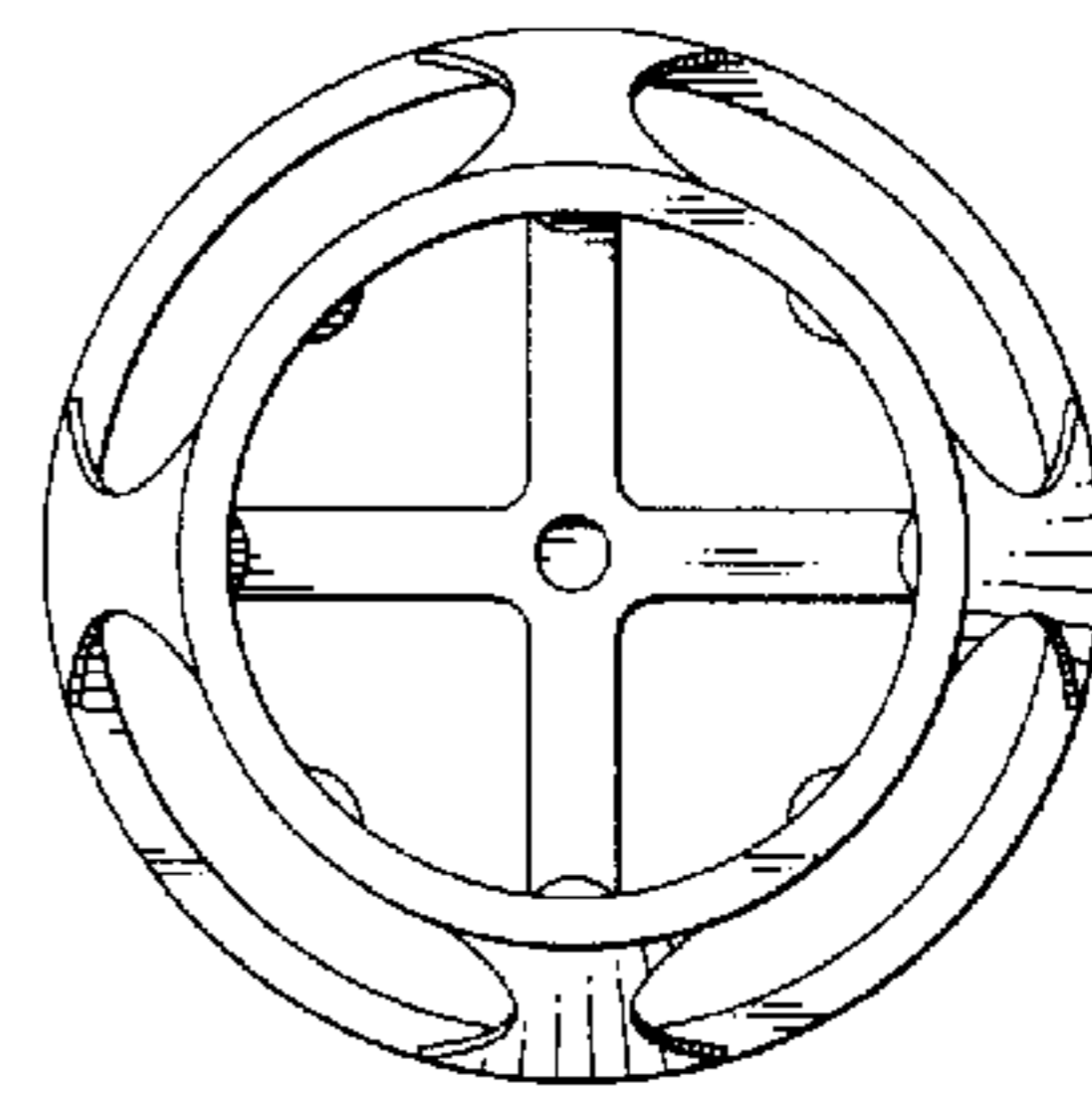
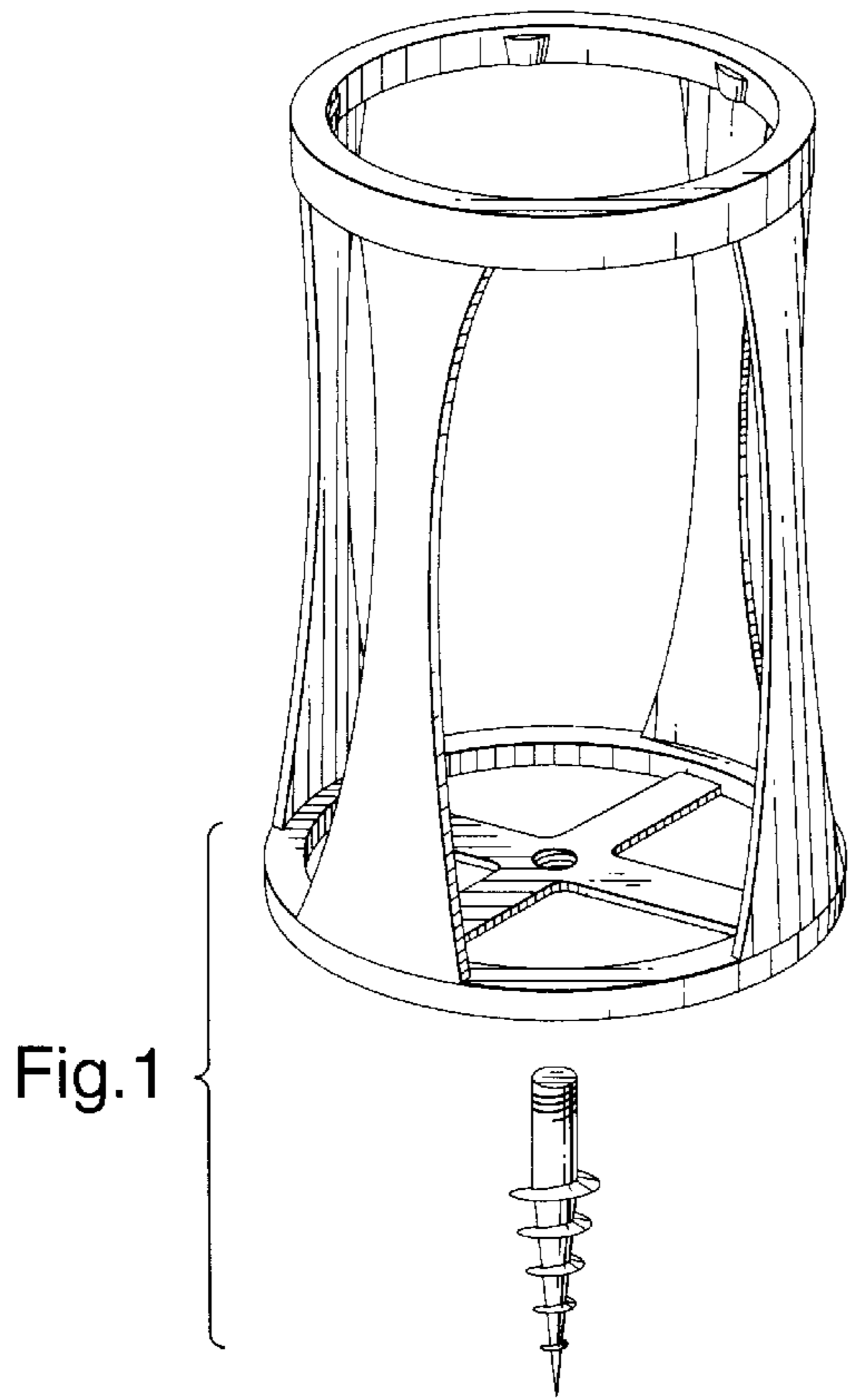


Fig. 2

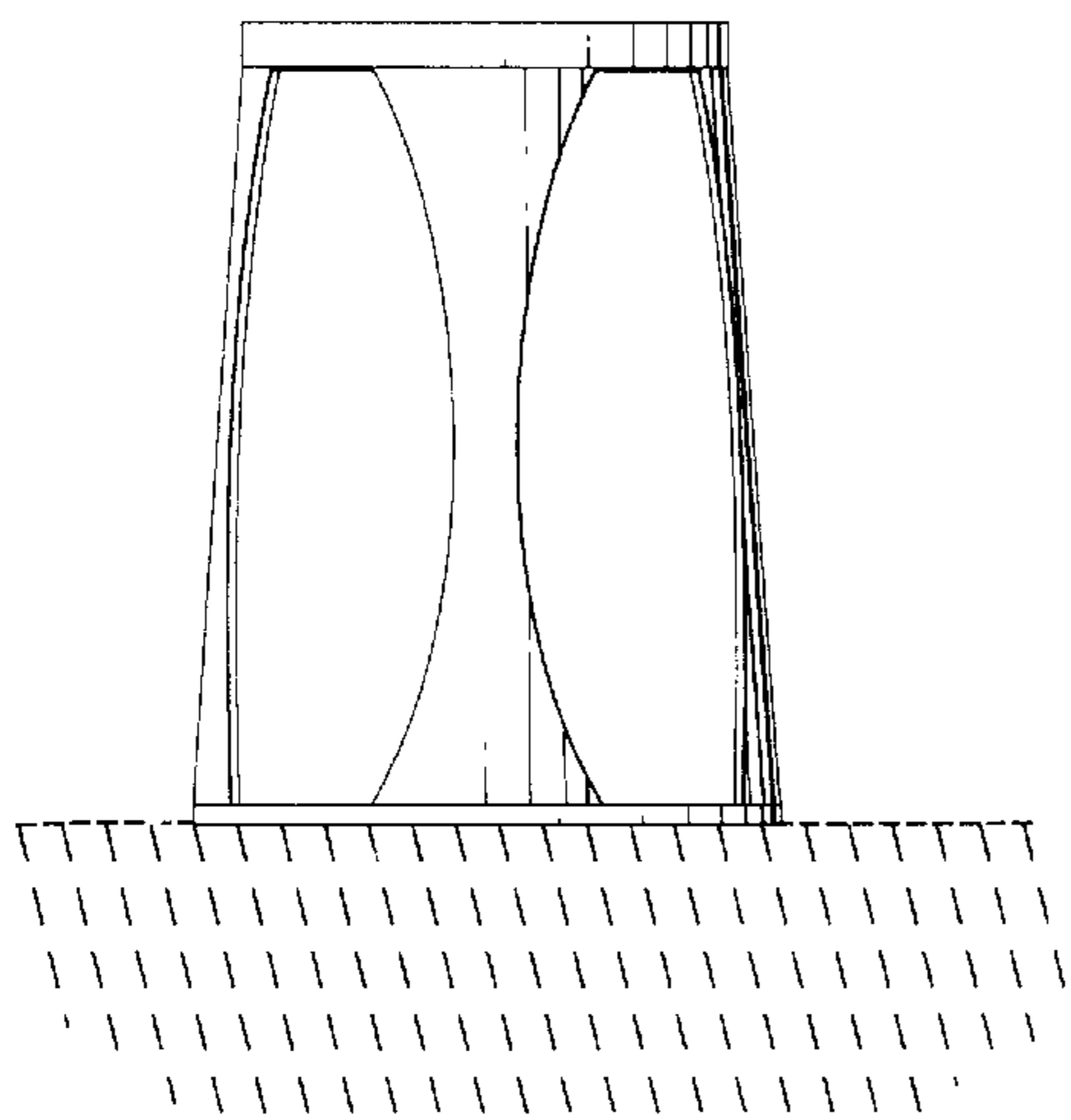


Fig. 3

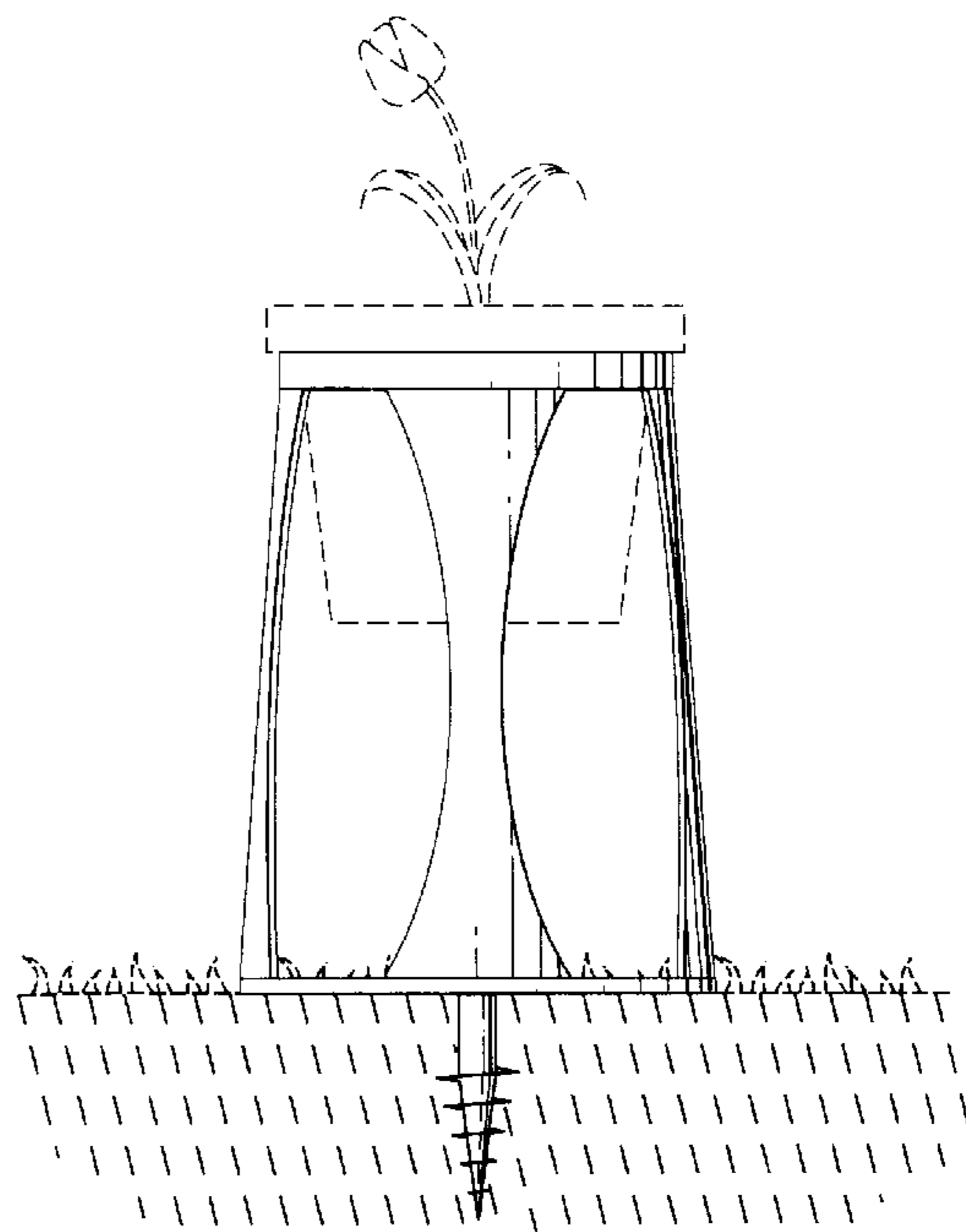


Fig. 4