



US00D425322S

United States Patent [19]
Chu

[11] **Patent Number: Des. 425,322**

[45] **Date of Patent: ** *May 23, 2000**

[54] **CHAIR**

[75] Inventor: **Zoocy C. Chu**, Grand Rapids, Mich.

[73] Assignee: **Plus Corporation**, Tokyo, Japan

[*] Notice: This patent is subject to a terminal disclaimer.

[**] Term: **14 Years**

[21] Appl. No.: **29/084,508**

[22] Filed: **Mar. 4, 1998**

[30] **Foreign Application Priority Data**

Sep. 12, 1997 [JP] Japan 9-67681

[51] **LOC (7) Cl.** **06-01**

[52] **U.S. Cl.** **D6/366**

[58] **Field of Search** D6/334, 364, 365,
D6/366, 367, 500, 501, 502; 297/411.2,
411.24, 411.27

[56] **References Cited**

U.S. PATENT DOCUMENTS

D. 196,235 9/1963 Gianvecchio D6/502
D. 239,792 5/1976 Alessandri D6/366

D. 273,730 5/1984 Cafiero D6/366
D. 276,956 1/1985 Aronowitz et al. D6/366
D. 291,159 8/1987 Monesi D6/366
D. 355,534 2/1995 Saotome D6/366
D. 357,130 4/1995 Schultz D6/366
D. 369,918 5/1996 Beaulieu D6/366
D. 373,495 9/1996 Whalen D6/500
D. 377,424 1/1997 Olson D6/366
D. 388,258 12/1997 Ambasz D6/366
D. 393,755 4/1998 Nemeth, Jr. D6/366
D. 397,258 8/1998 Heyder et al. D6/366

Primary Examiner—Gary D. Watson
Attorney, Agent, or Firm—Darby & Darby

[57] **CLAIM**

The ornamental design for a chair, as shown and described.

DESCRIPTION

FIG. 1 is a top plan view showing my new design for chair; FIG. 2 is a front elevational view thereof; FIG. 3 is a right side view thereof, the left side being a mirror image thereof; FIG. 4 is a rear elevational view thereof; and, FIG. 5 is a perspective view thereof as viewed from the rear upper right.

1 Claim, 2 Drawing Sheets

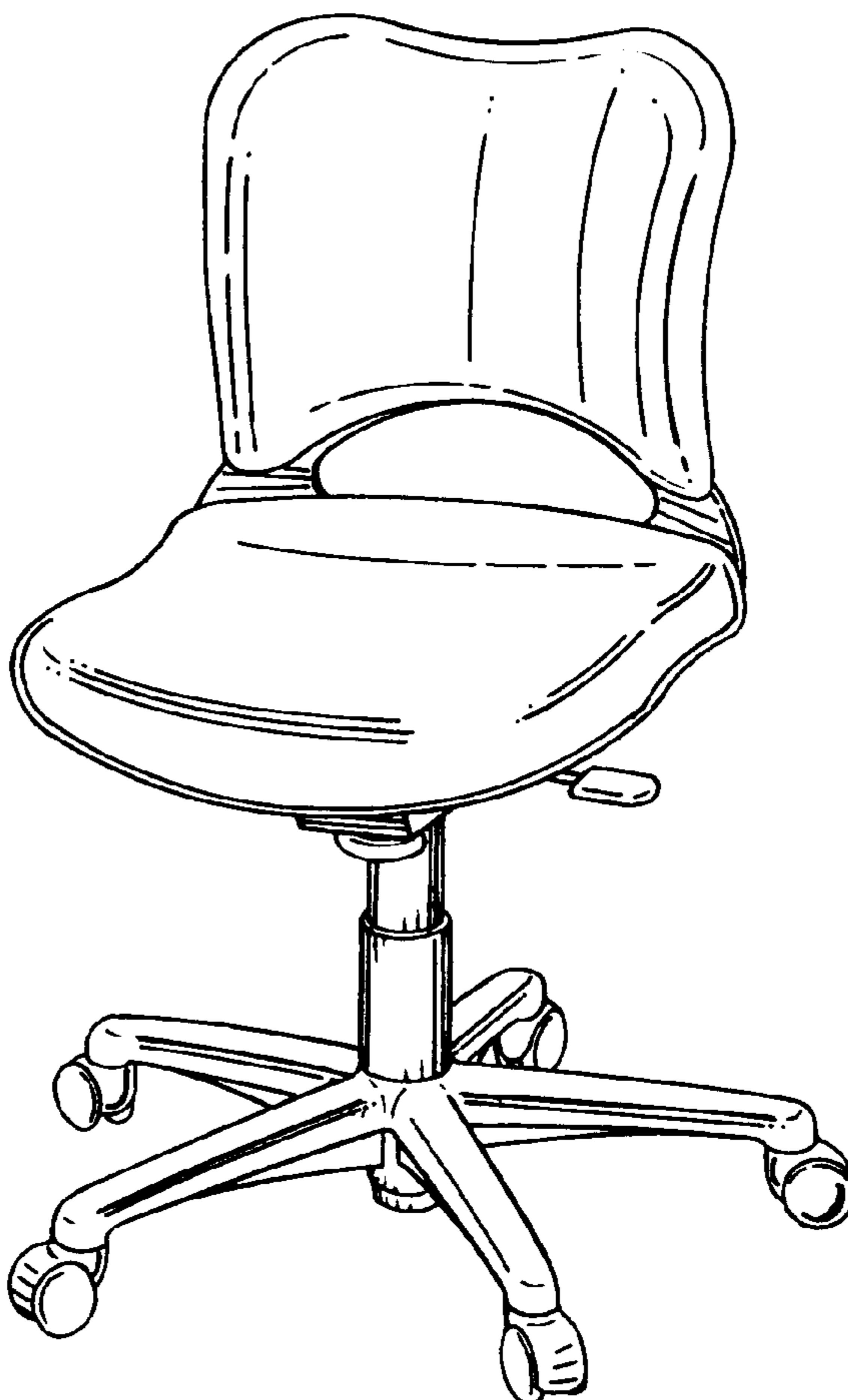


Fig. 1

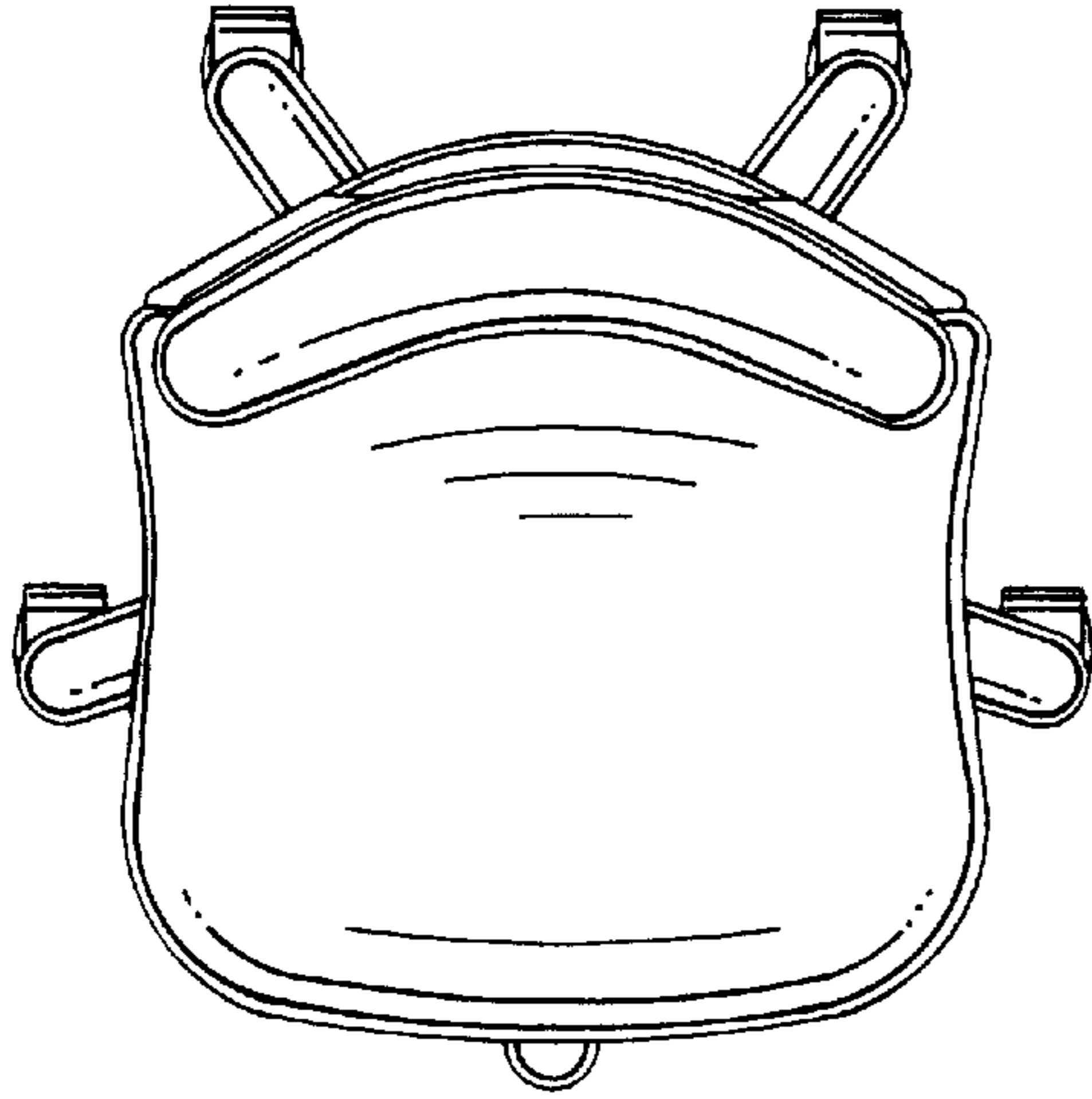


Fig. 2

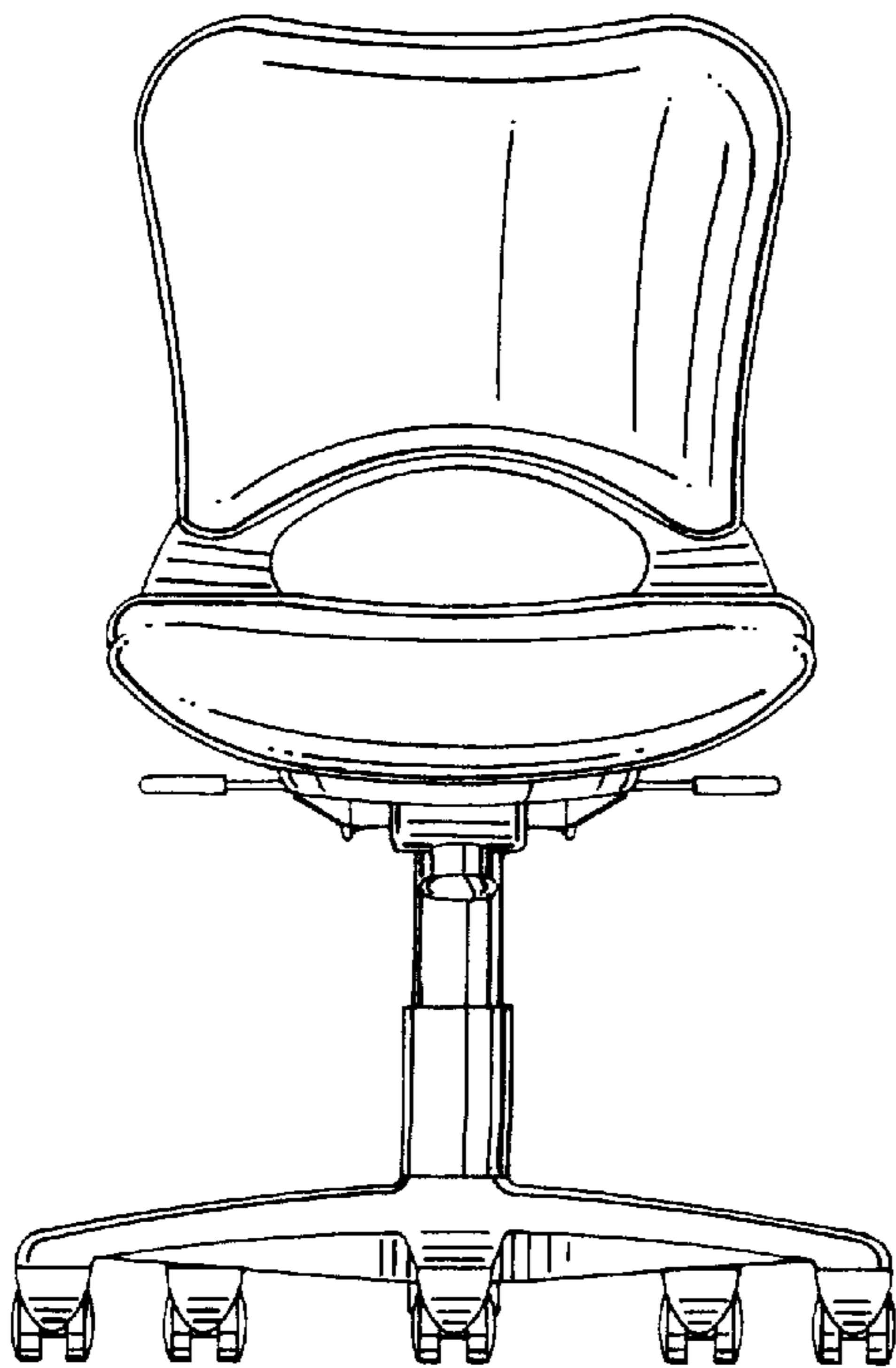


Fig. 3

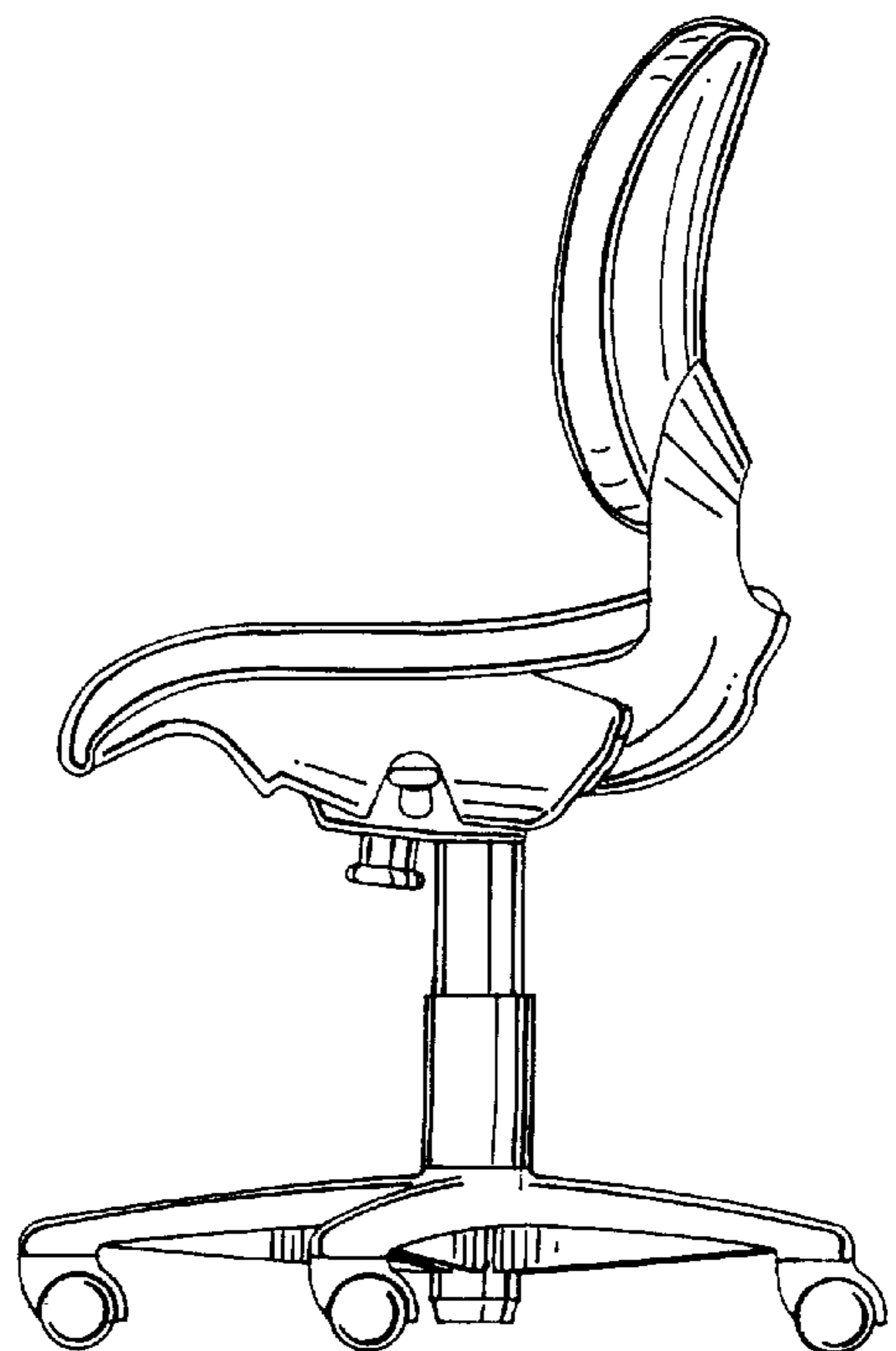


Fig. 4

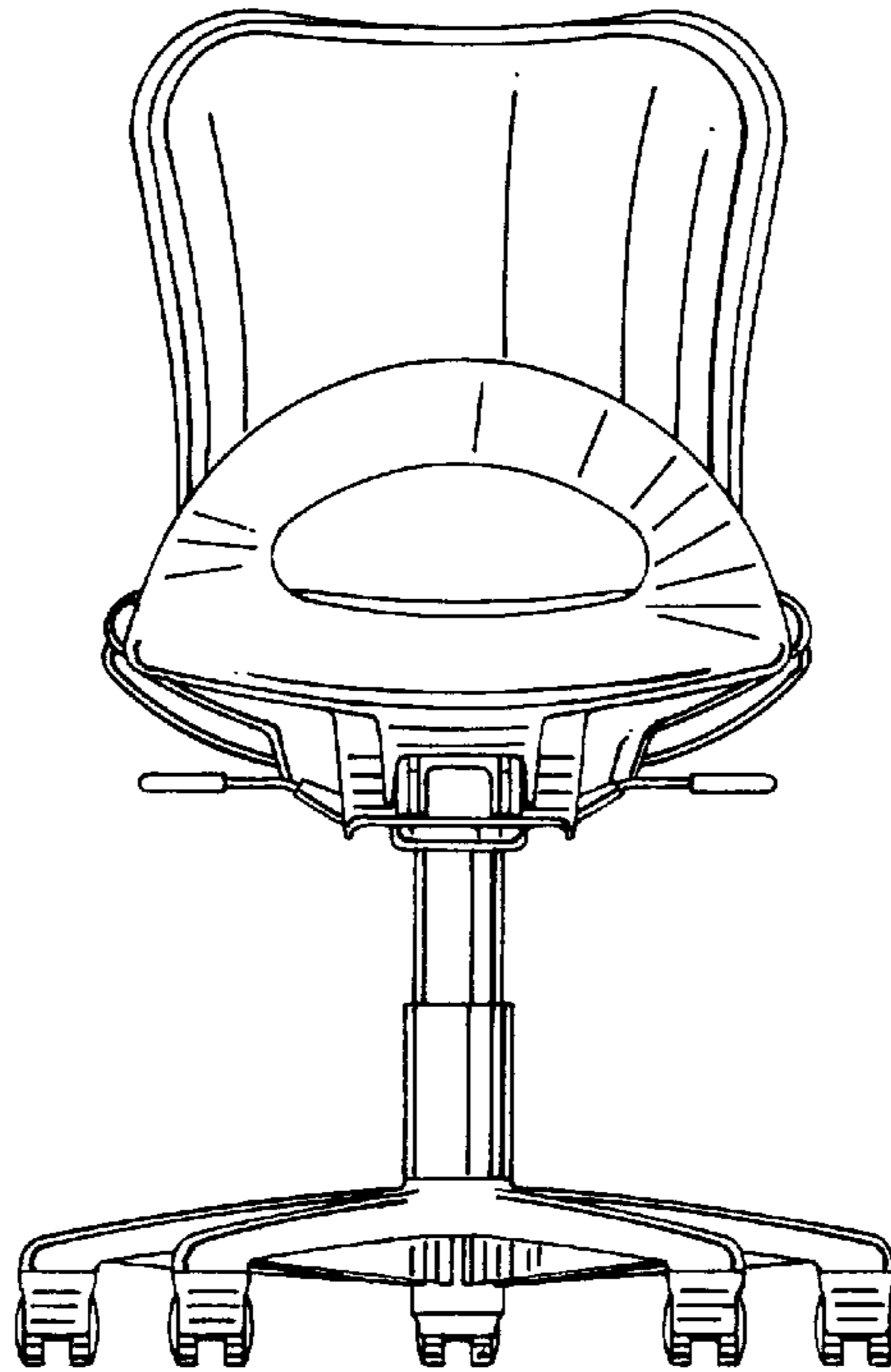


Fig. 5

