



US00D425315S

United States Patent [19]
Cassler

[11] **Patent Number: Des. 425,315**

[45] **Date of Patent: ** May 23, 2000**

[54] **COMBINED COAT AND PURSE HOLDER**

[76] Inventor: **Kathleen A. Cassler**, 10314 Lackland Rd., St. Louis, Mo. 63114

[**] Term: **14 Years**

[21] Appl. No.: **29/100,500**

[22] Filed: **Feb. 11, 1999**

[51] **LOC (7) Cl. 06-08**

[52] **U.S. Cl. D6/323; D6/320; D6/573**

[58] **Field of Search D6/315, 320, 323, D6/567, 573, 563; D8/367; 248/301, 304, 309.1; 211/85.3, 87.01, 88.01**

[56] **References Cited**

U.S. PATENT DOCUMENTS

D. 286,238	10/1986	Burton	D6/573
D. 310,761	9/1990	Mervar et al.	D6/567
1,686,002	10/1928	Herzon	.	
1,899,509	2/1933	Lapin	.	
2,461,071	2/1949	Mettenleiter	.	
3,986,649	10/1976	Heimstra	.	
5,094,349	3/1992	DeVito	.	

Primary Examiner—B. J. Bullock
Attorney, Agent, or Firm—Polster, Lieder, Woodruff & Lucchesi, L.C.

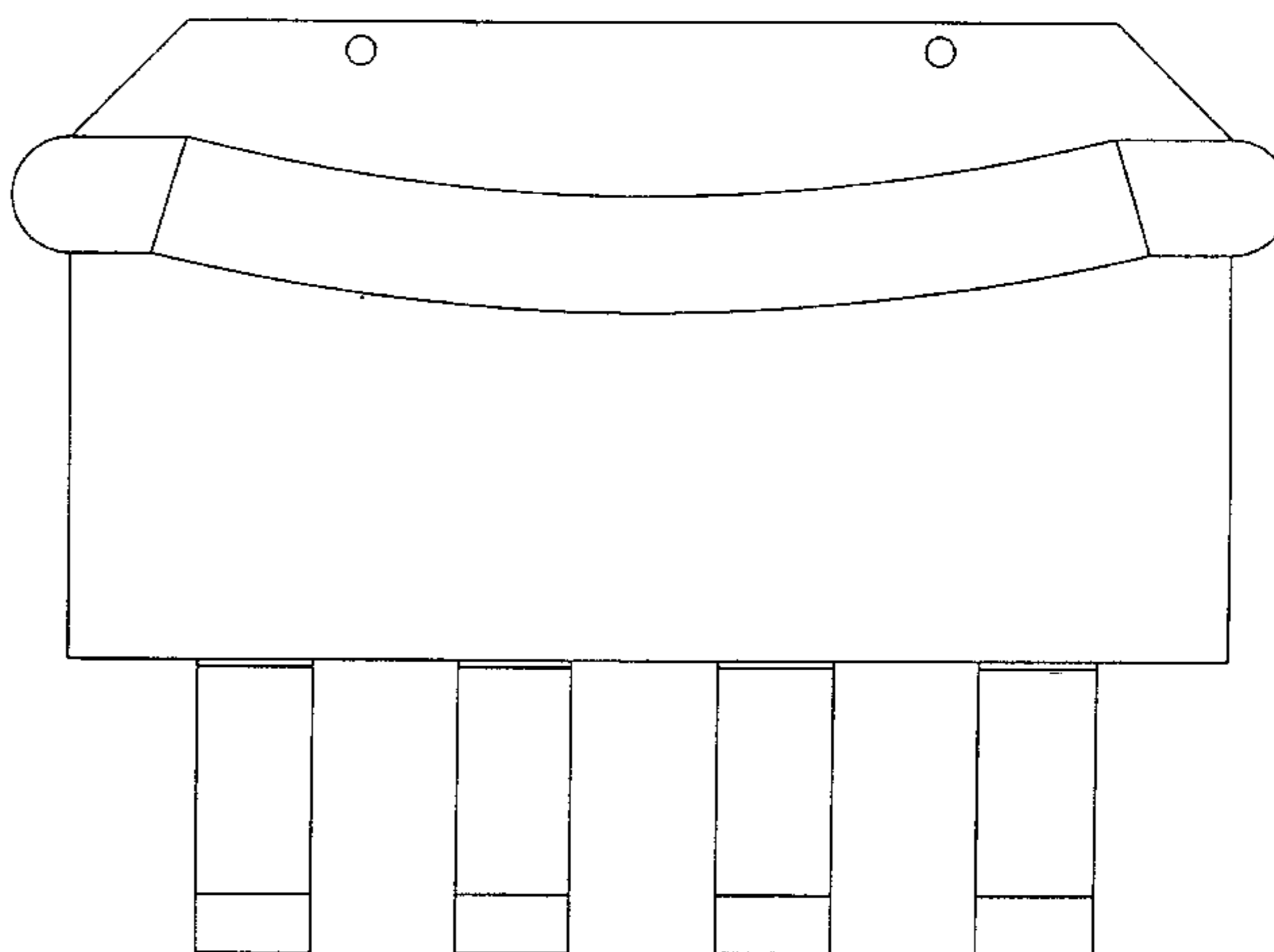
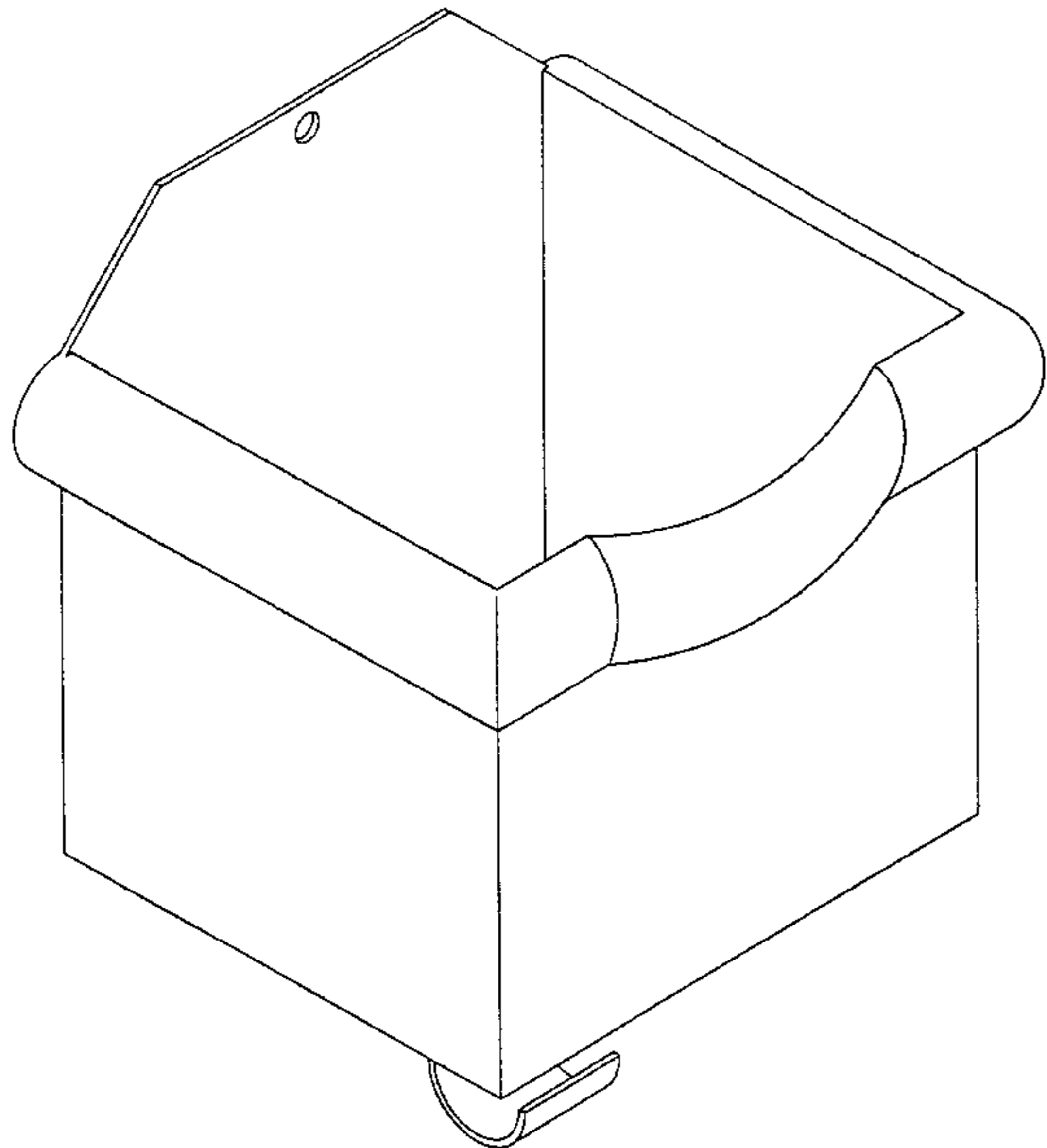
[57] **CLAIM**

I claim the ornamental design for a combined coat and purse holder, as shown and described.

DESCRIPTION

FIG. 1 is a front perspective view of my invention;
FIG. 2 is a front elevational view of my invention;
FIG. 3 is a left side elevational view of my invention;
FIG. 4 is a right side elevational view of my invention;
FIG. 5 is a rear elevational view of my invention;
FIG. 6 is a top plan view of my invention;
FIG. 7 is a bottom view of my invention;
FIG. 8 is a front perspective view of a modification of my invention;
FIG. 9 is a front elevational view of the modification shown in FIG. 8;
FIG. 10 is a right side elevational view of the modification shown in FIG. 8;
FIG. 11 is a left side elevational view of the modification shown in FIG. 8;
FIG. 12 is a rear elevational view of the modification shown in FIG. 8;
FIG. 13 is a top plan view of the modification shown in FIG. 8; and,
FIG. 14 is a bottom view of the modification shown in FIG. 8.

1 Claim, 14 Drawing Sheets



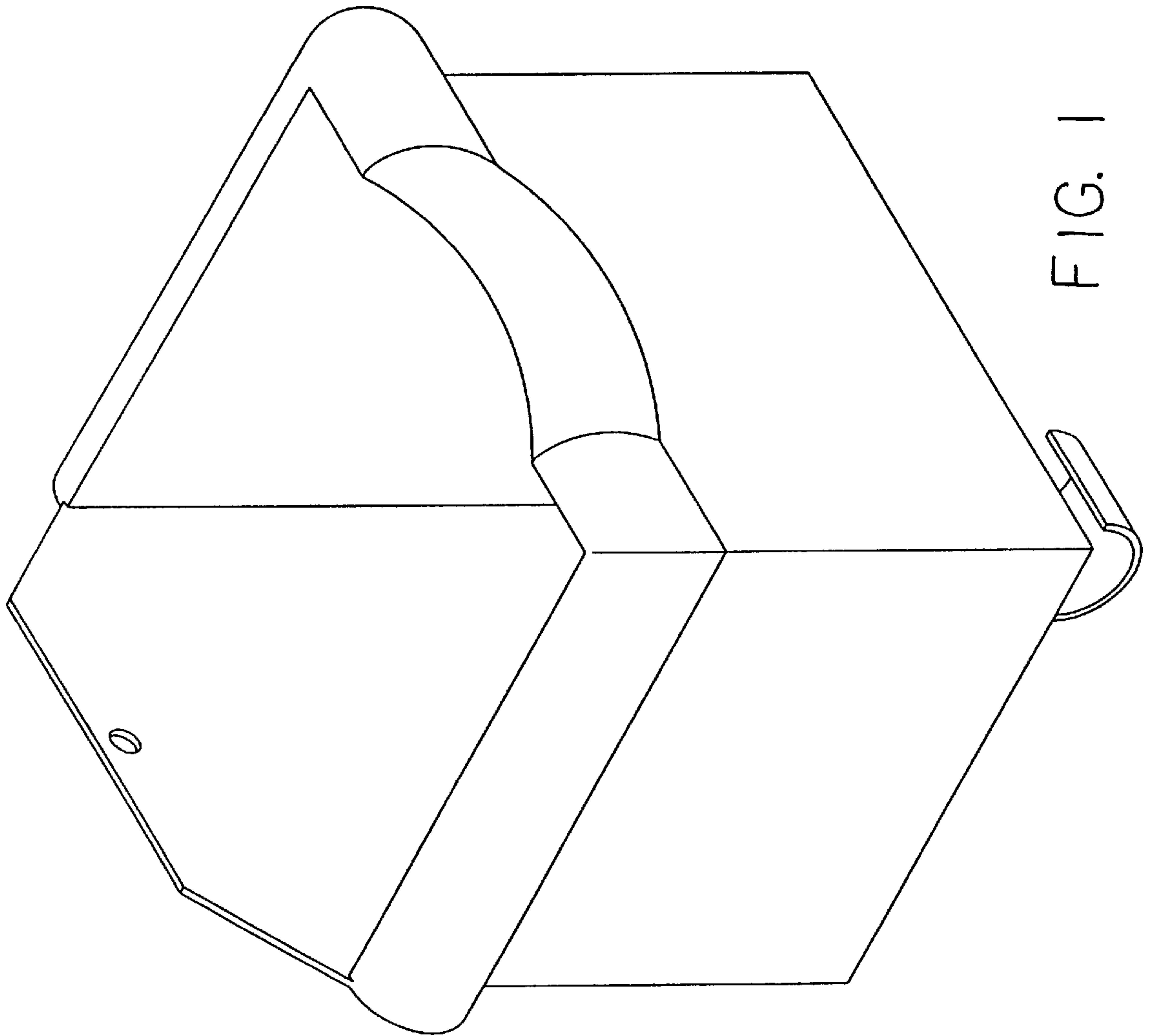


FIG. 1

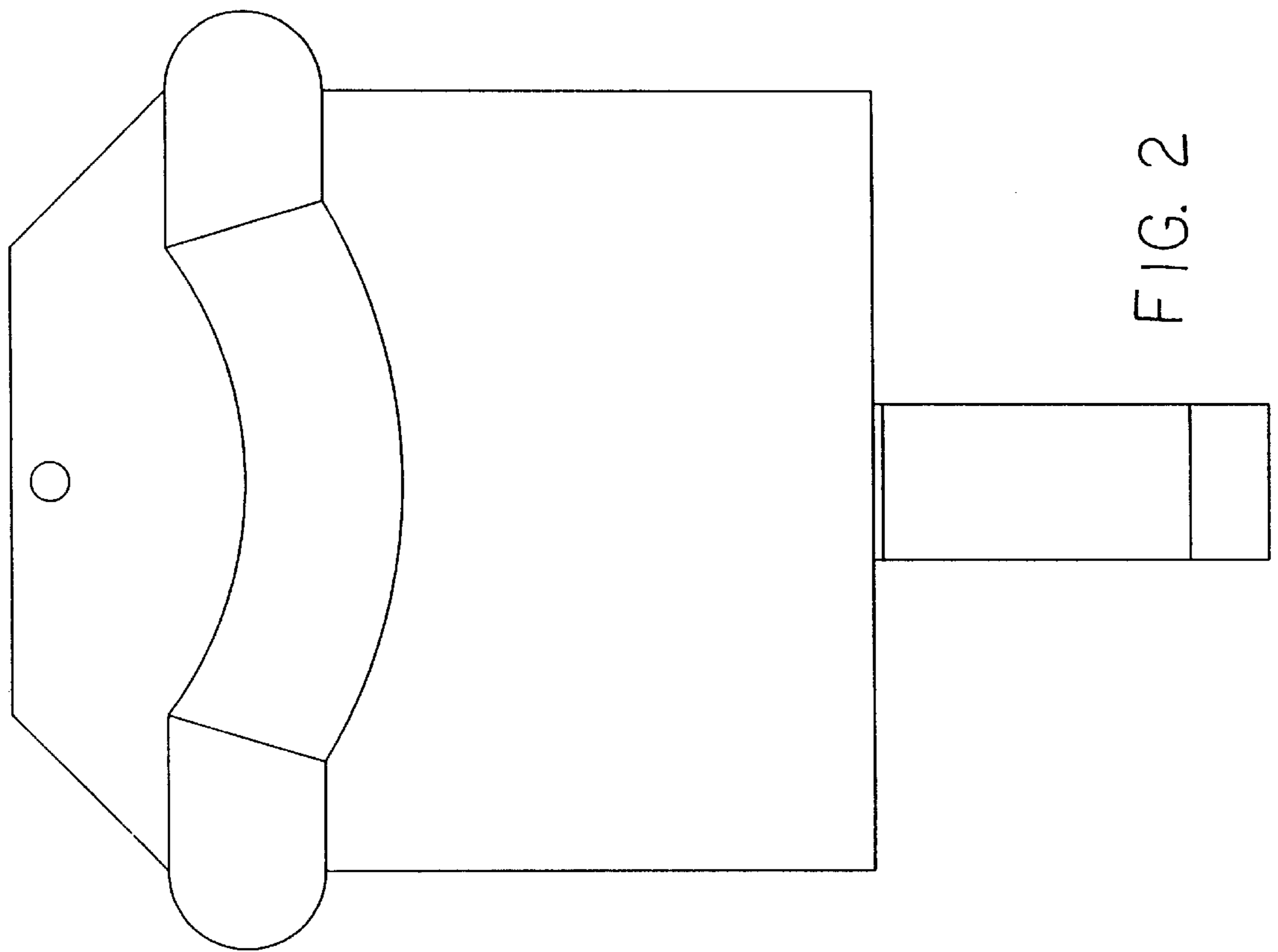


FIG. 2

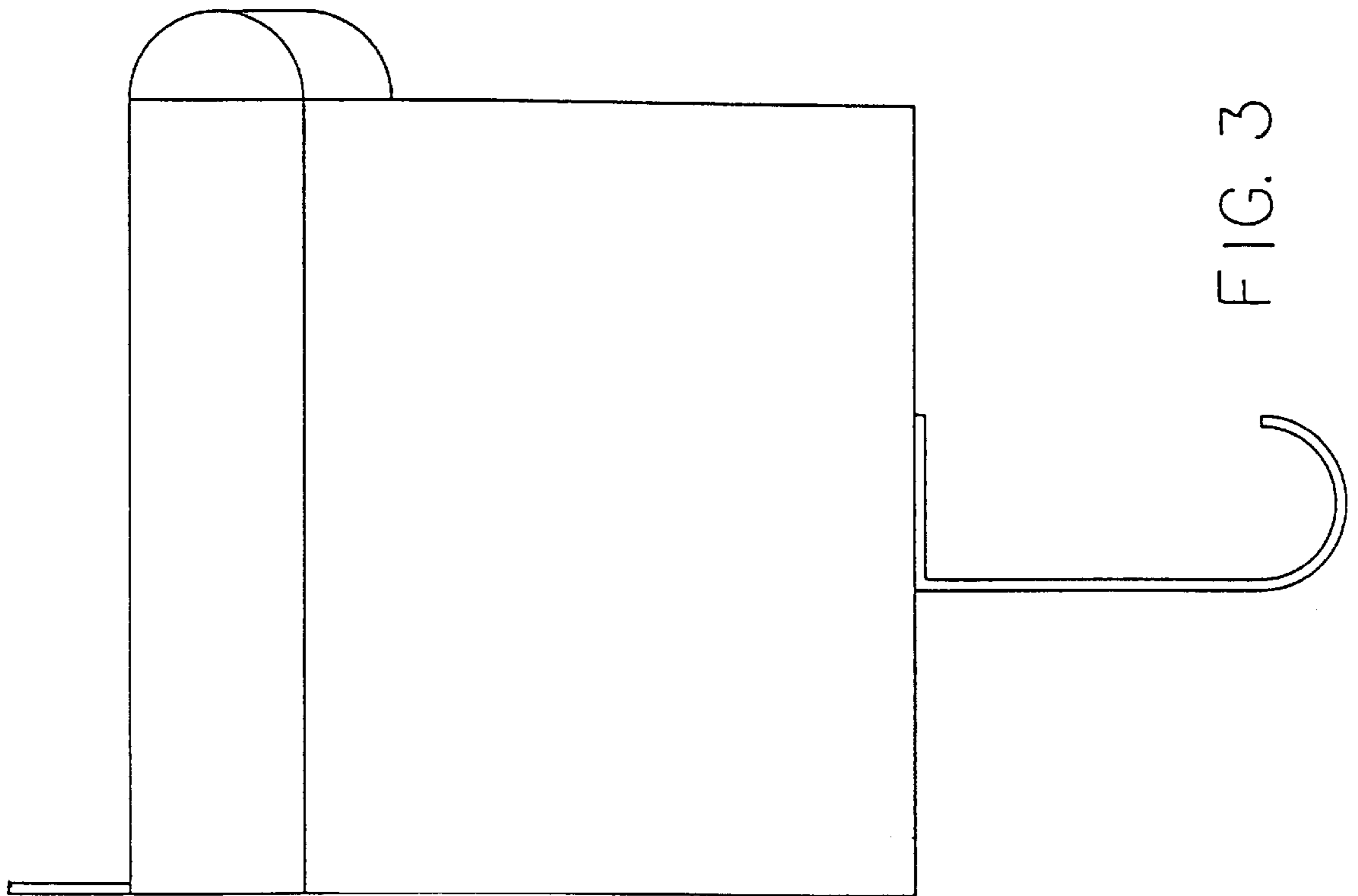


FIG. 3

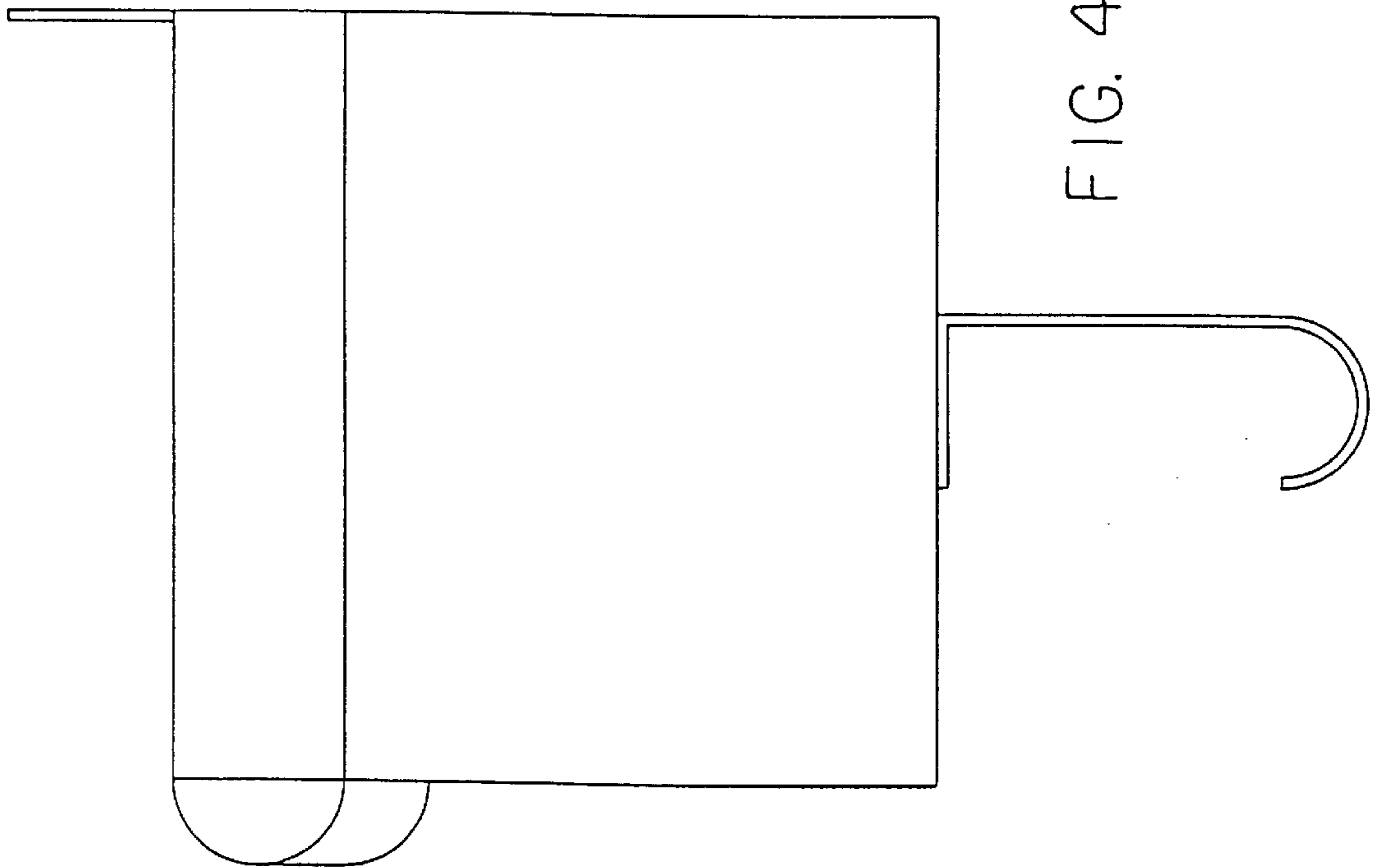


FIG. 4

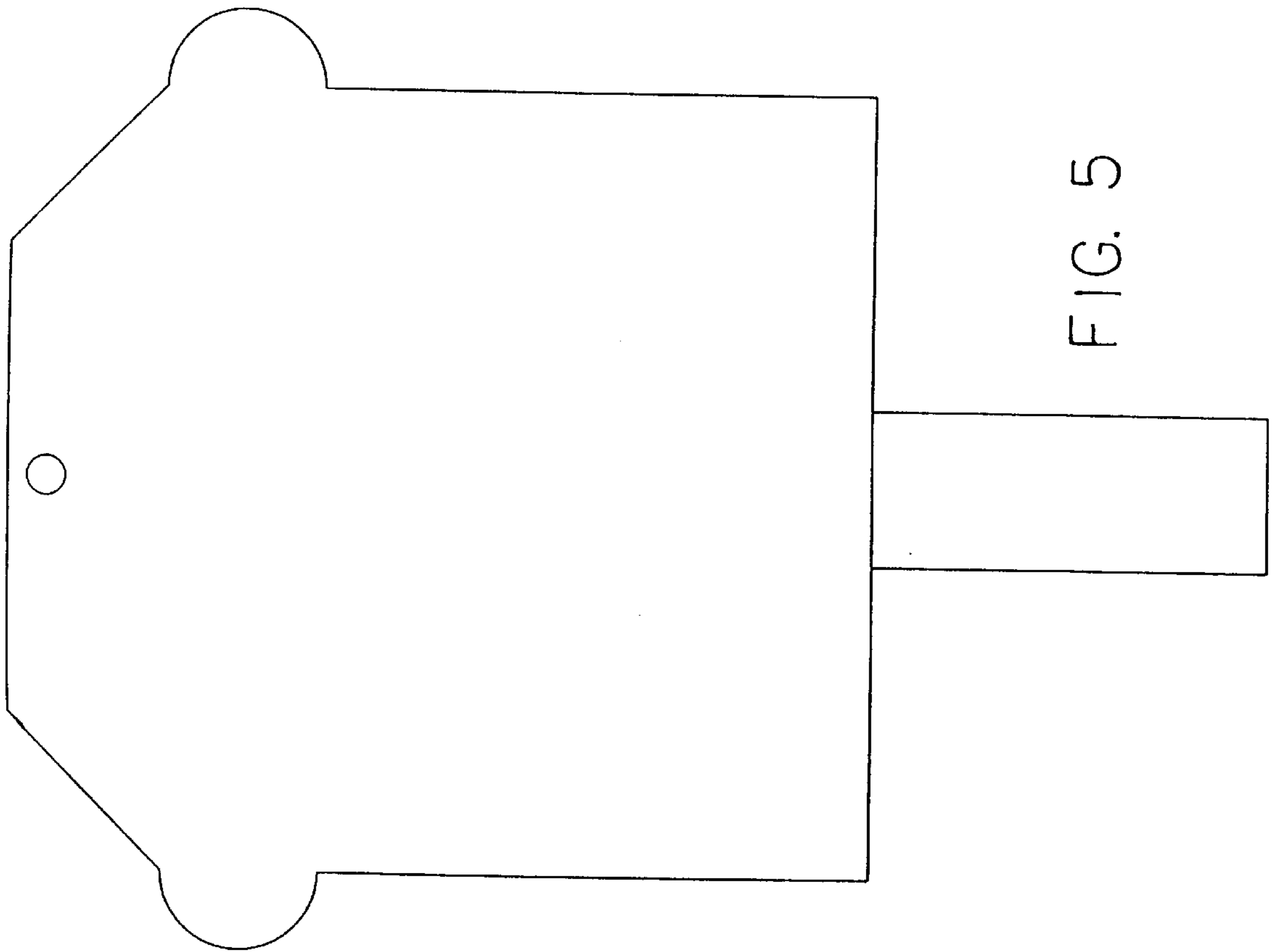


FIG. 5

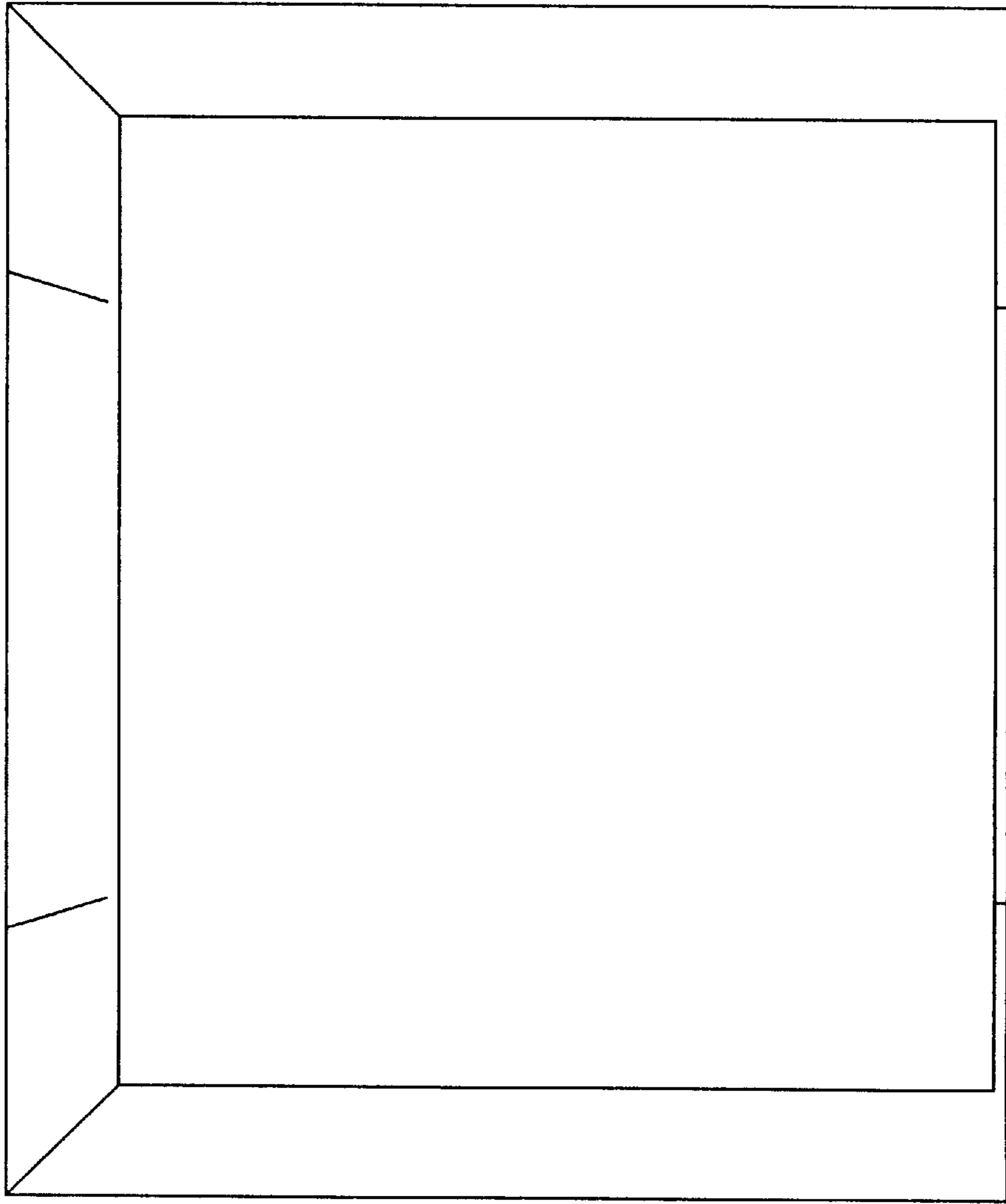


FIG. 6

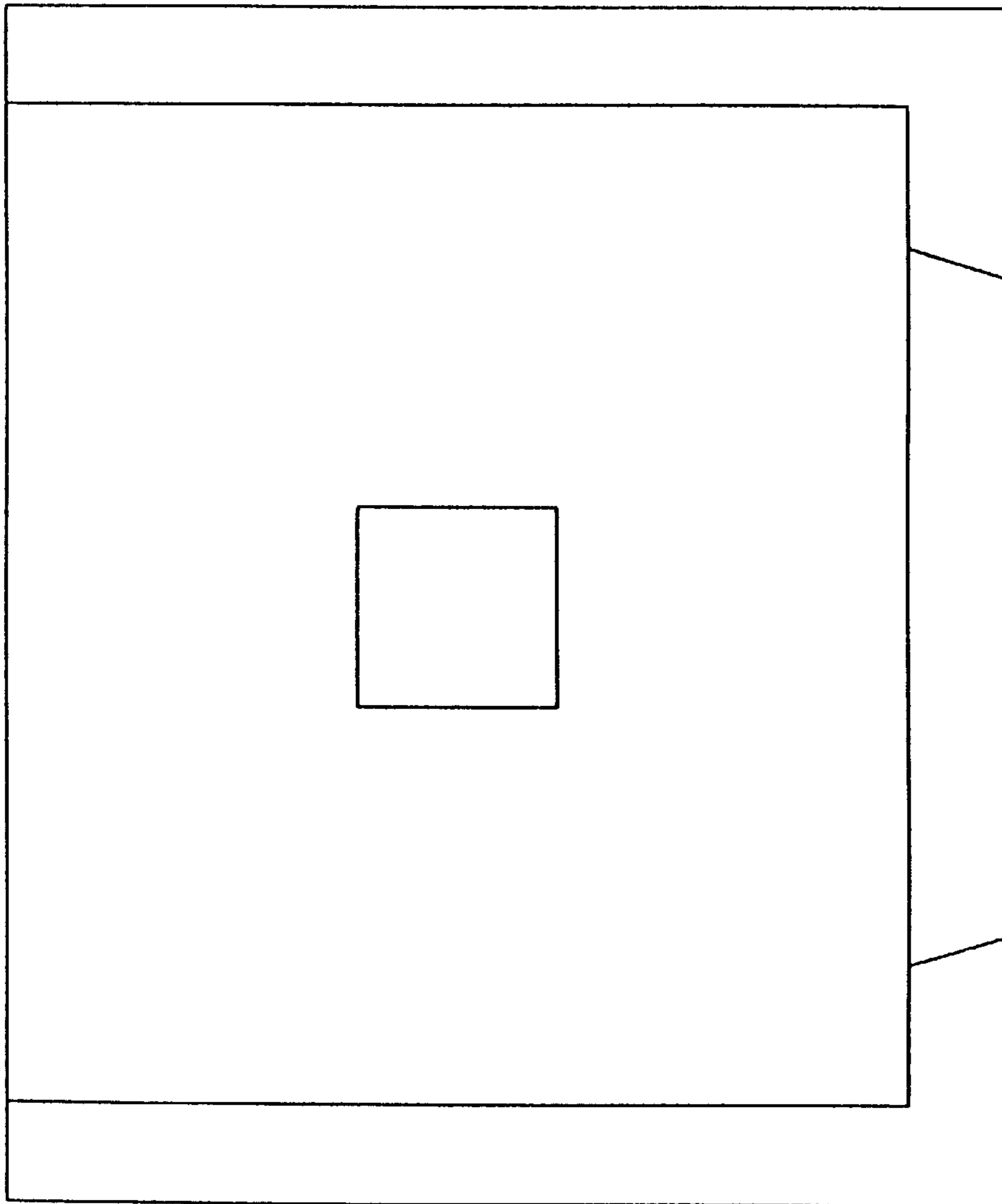


FIG. 7

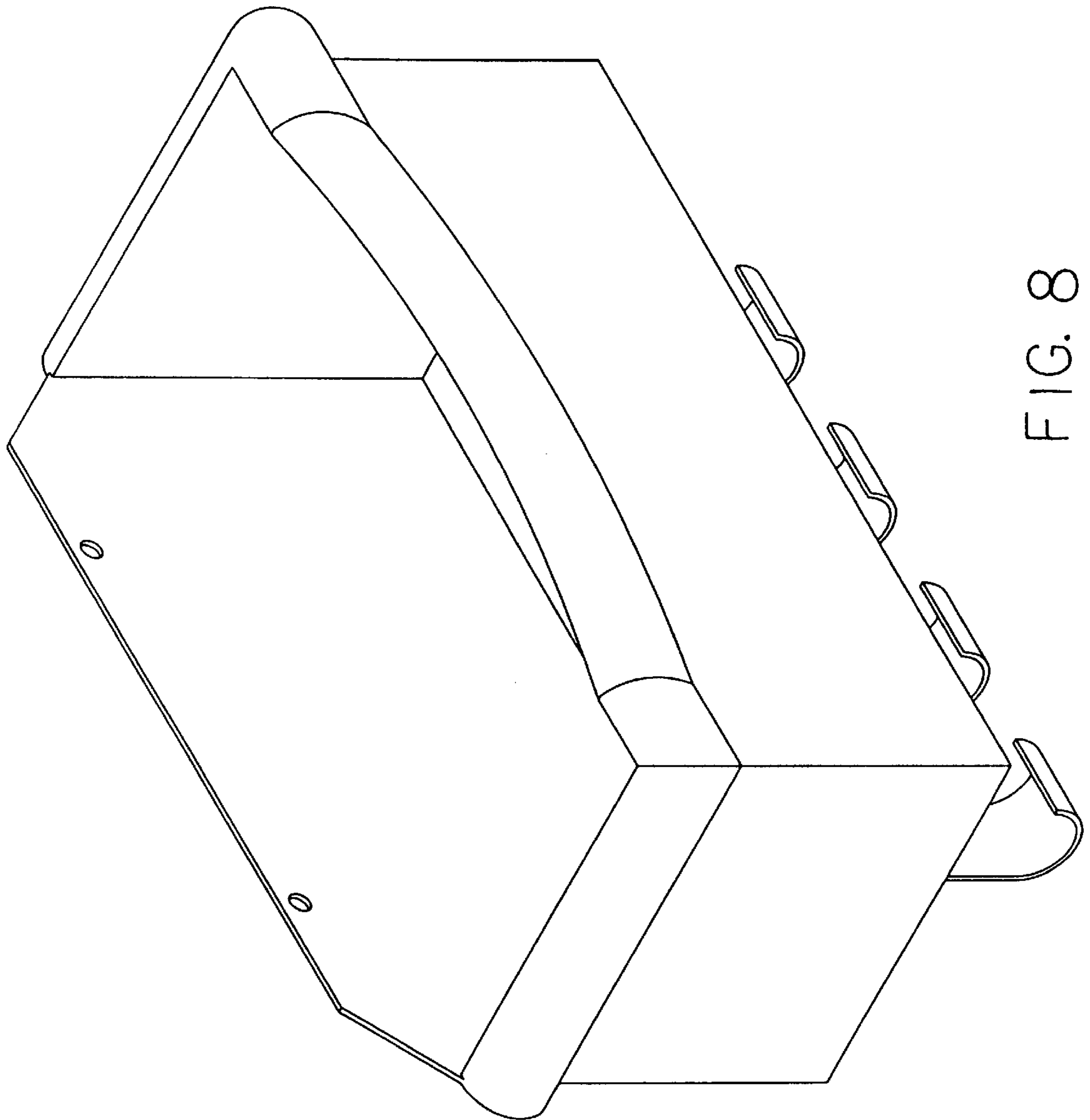


FIG. 8

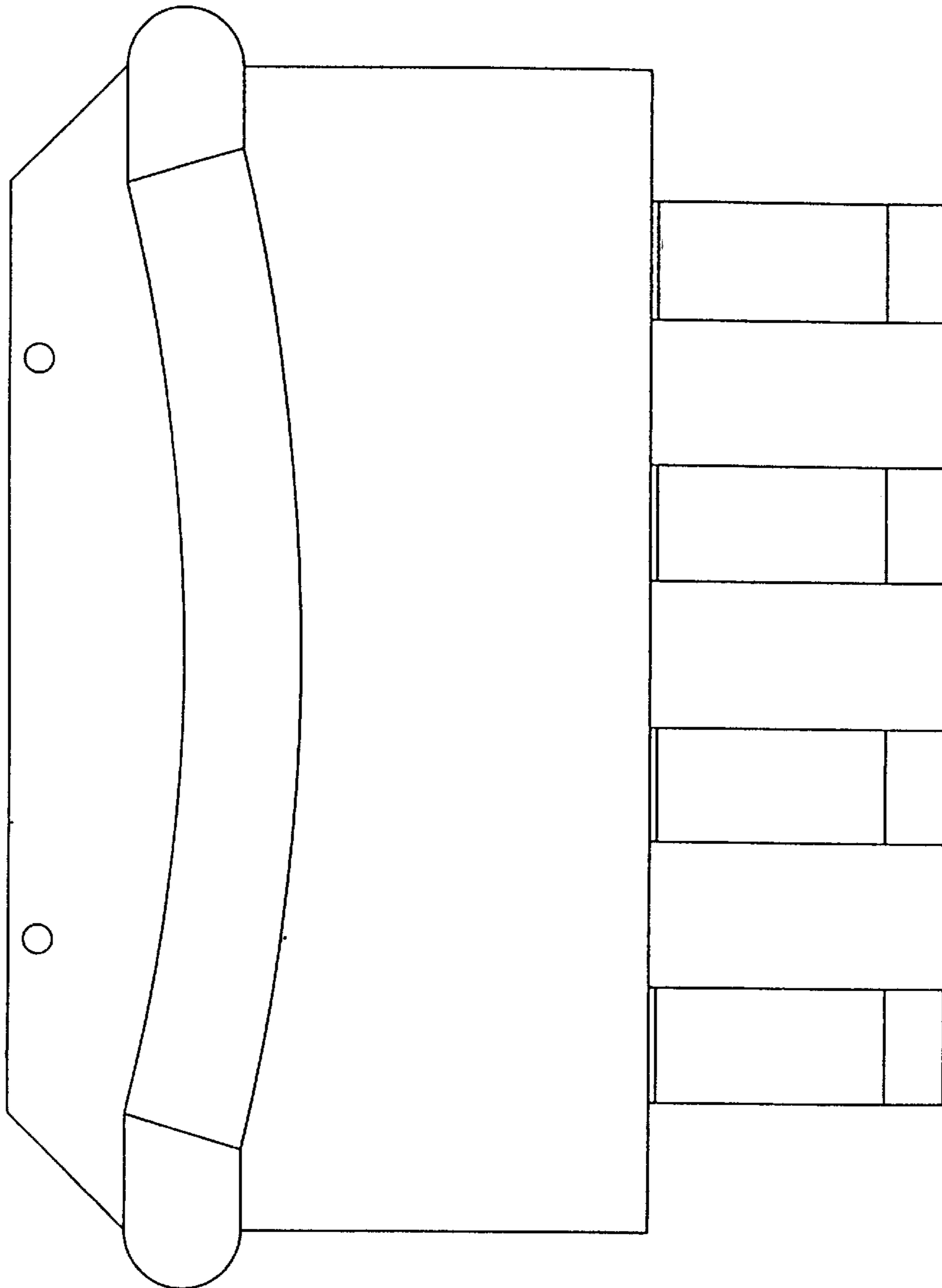


FIG. 9

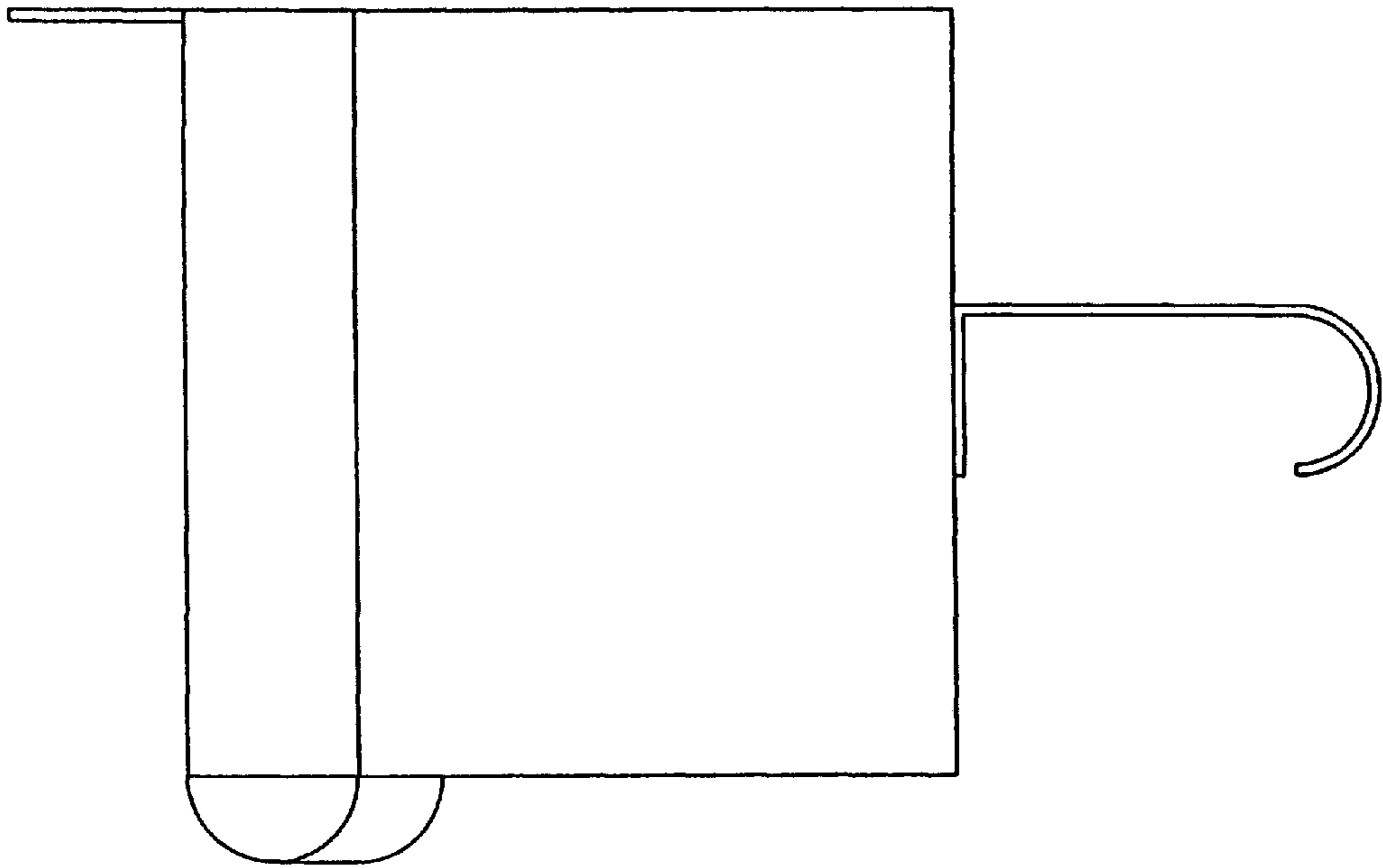


FIG. 10

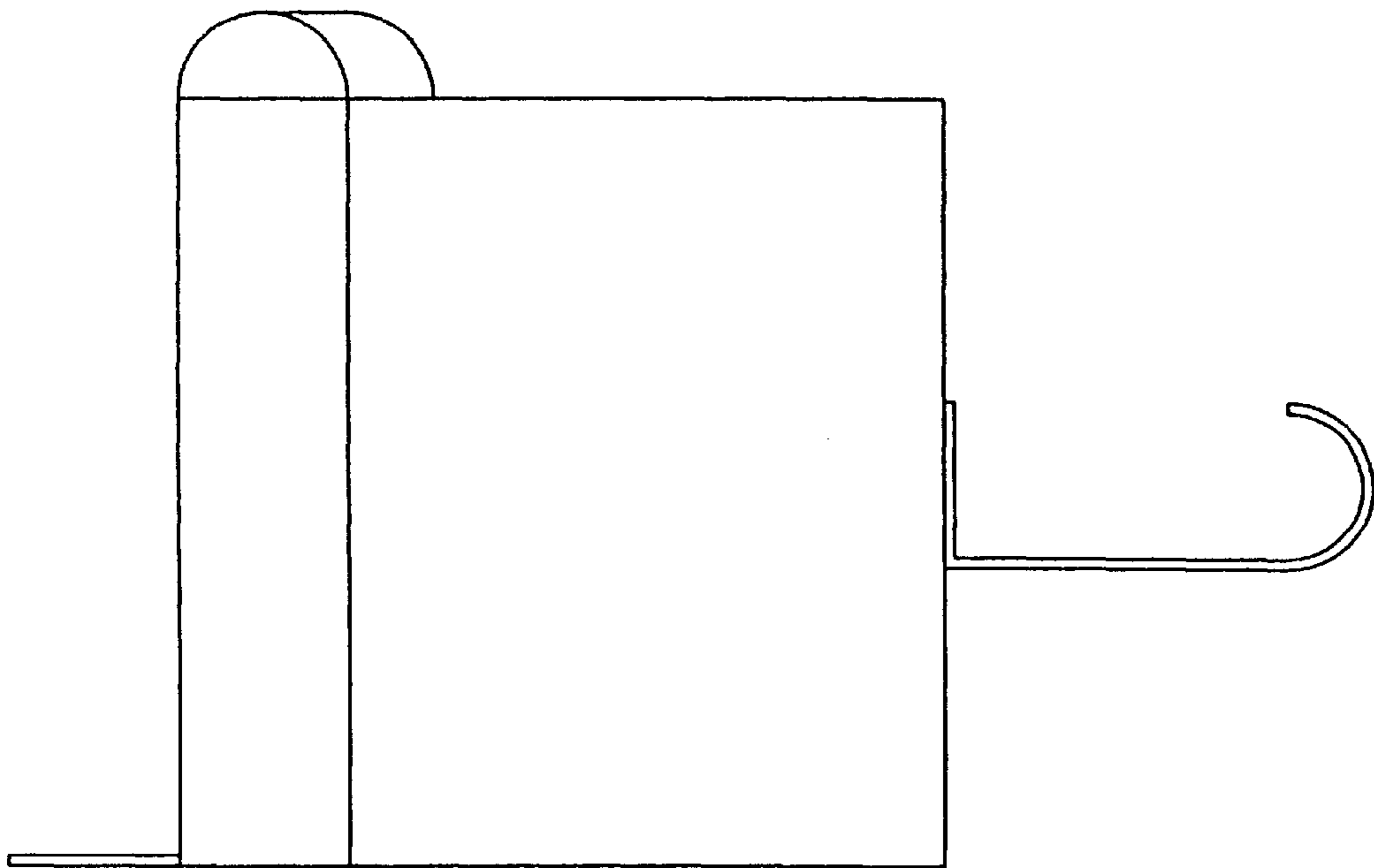


FIG. 11

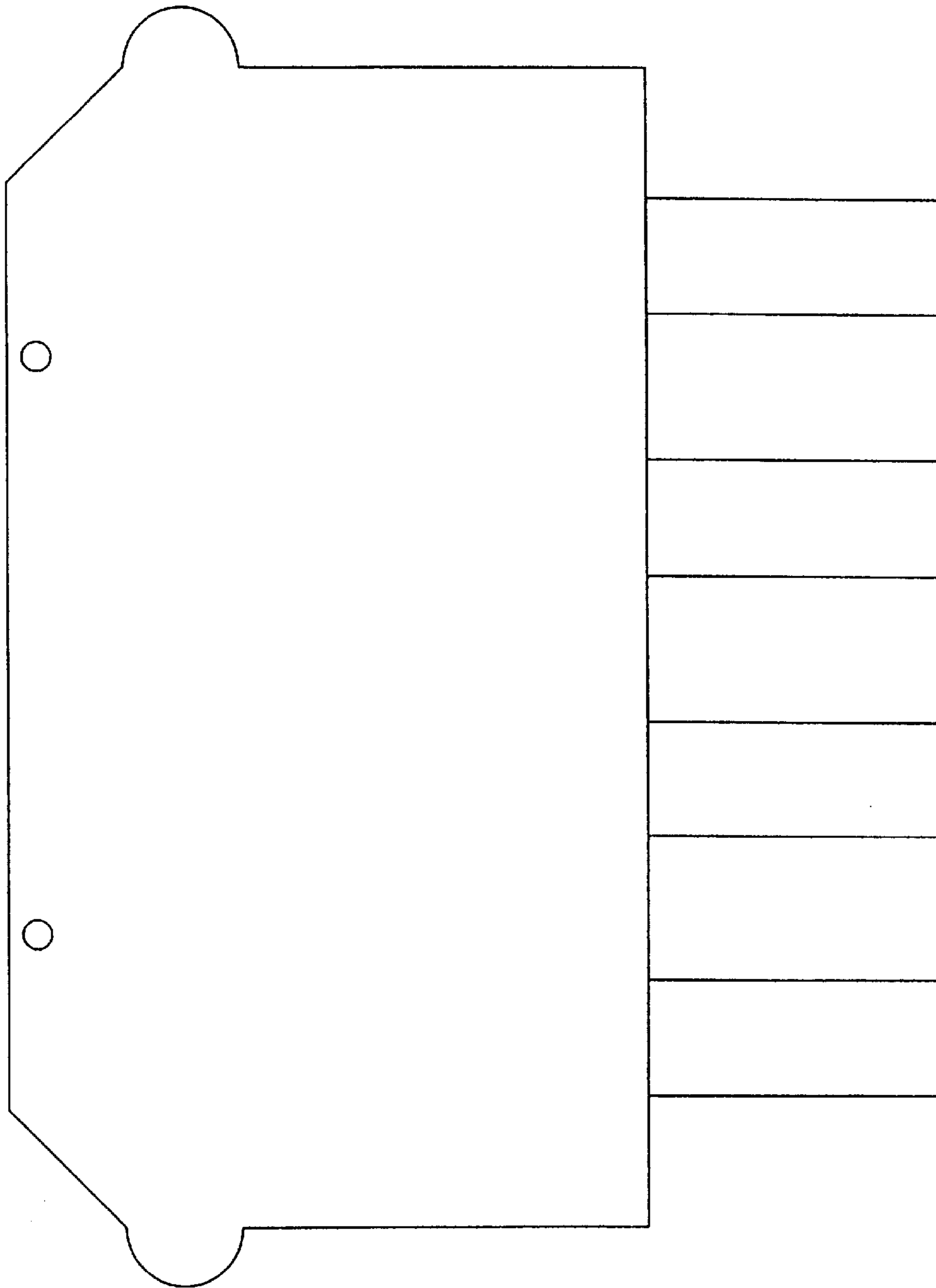


FIG. 12

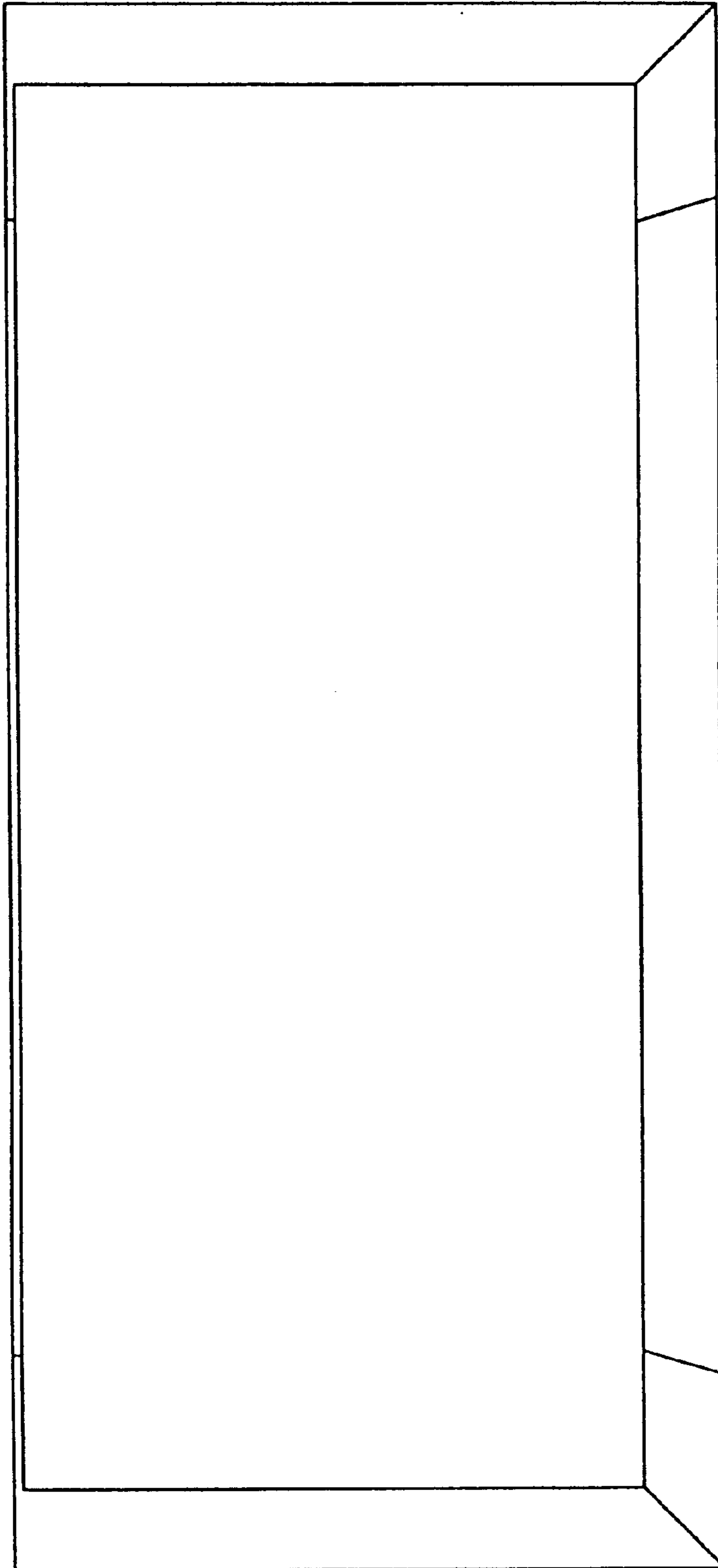


FIG. 13

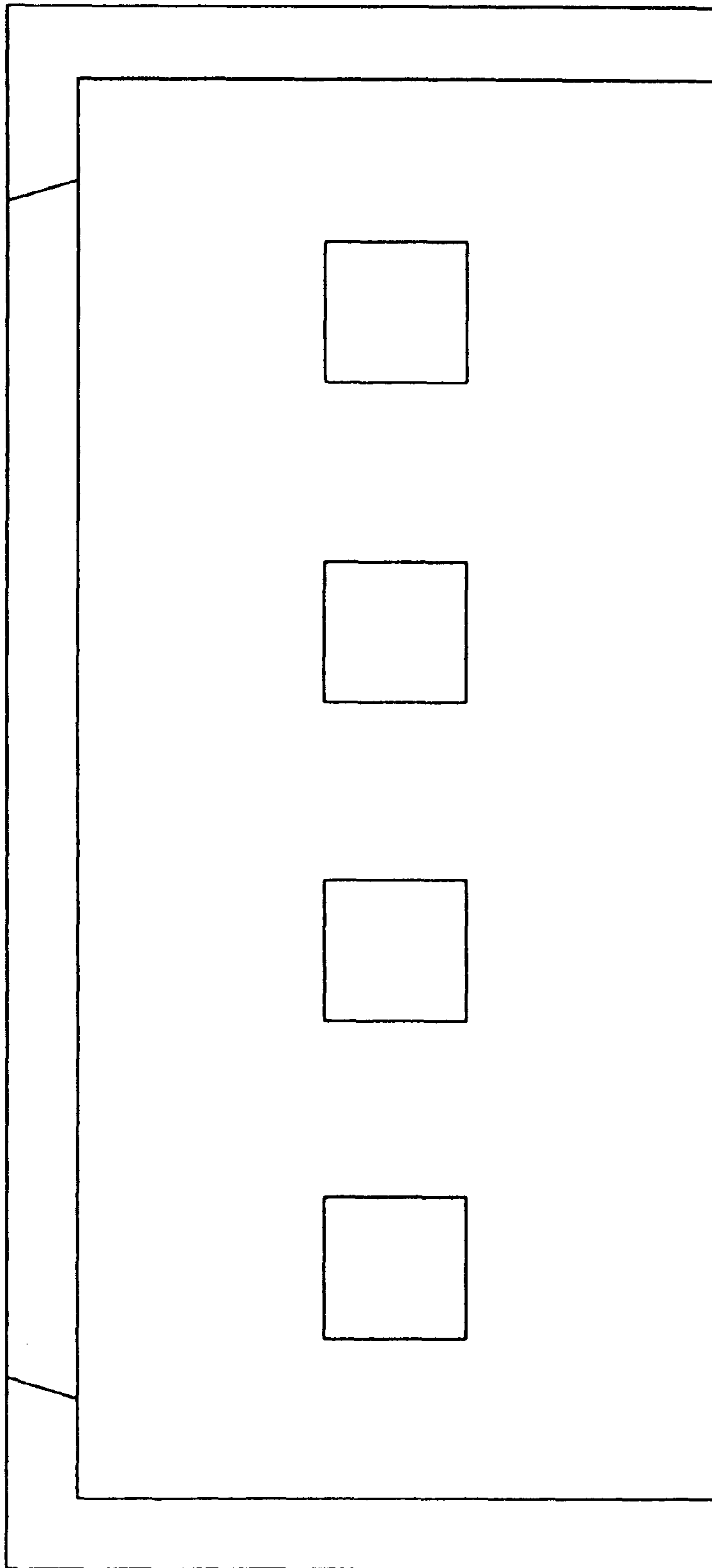


FIG. 14