



US00D425314S

# United States Patent [19]

Au-Yeung

[11] Patent Number: Des. 425,314

[45] Date of Patent: \*\* May 23, 2000

[54] **FLIP-TOP MIRROR**

[75] Inventor: **Victor Au-Yeung**, Hong Kong, The Hong Kong Special Administrative Region of the People's Republic of China

[73] Assignee: **Lomak Industrial Co. Ltd.**, The Hong Kong Special Administrative Region of the People's Republic of China

[\*\*] Term: **14 Years**

[21] Appl. No.: **29/105,153**

[22] Filed: **May 19, 1999**

[30] **Foreign Application Priority Data**

Nov. 20, 1998 [CA] Canada ..... 1998-2849

[51] **LOC (7) Cl.** ..... **06-07**

[52] **U.S. Cl.** ..... **D6/310; D6/300**

[58] **Field of Search** ..... D6/300-314; 40/700, 40/711, 714, 716, 723, 732, 735, 745, 747, 765, 771, 780, 790, 798; 359/838, 850, 854, 872, 876; D26/56

[56] **References Cited**

**U.S. PATENT DOCUMENTS**

- D. 229,791 1/1974 De Fano et al. .... D6/308
- D. 270,063 8/1983 Akeret ..... D6/308
- D. 270,068 8/1983 Akeret ..... D6/308

- D. 311,820 11/1990 Glucksman et al. .... D6/308
- D. 353,942 1/1995 Lo et al. .... D6/310

*Primary Examiner*—Janice E. Seeger  
*Attorney, Agent, or Firm*—Webb Ziesenheim Logsdon Orkin & Hanson, P.C.

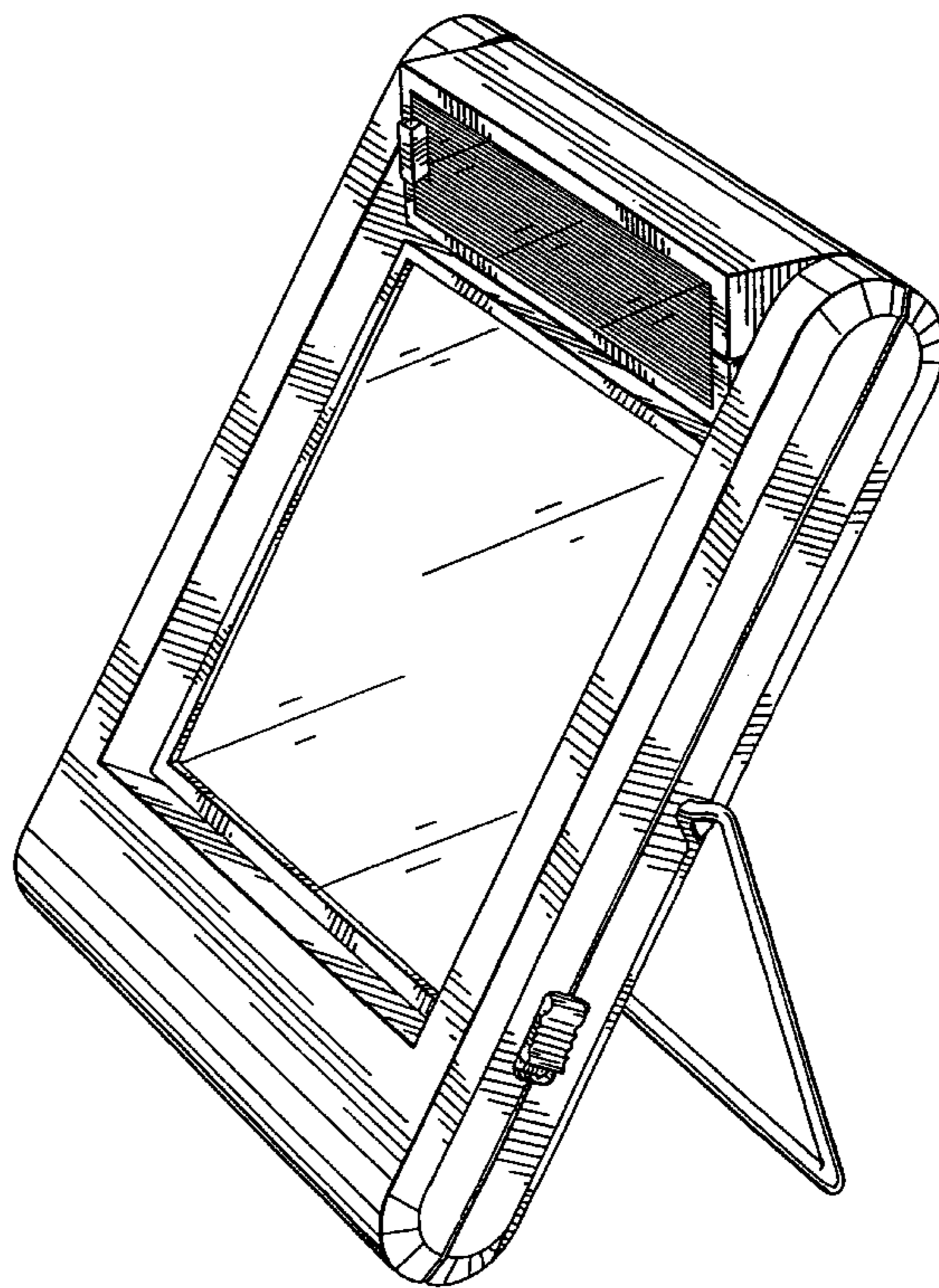
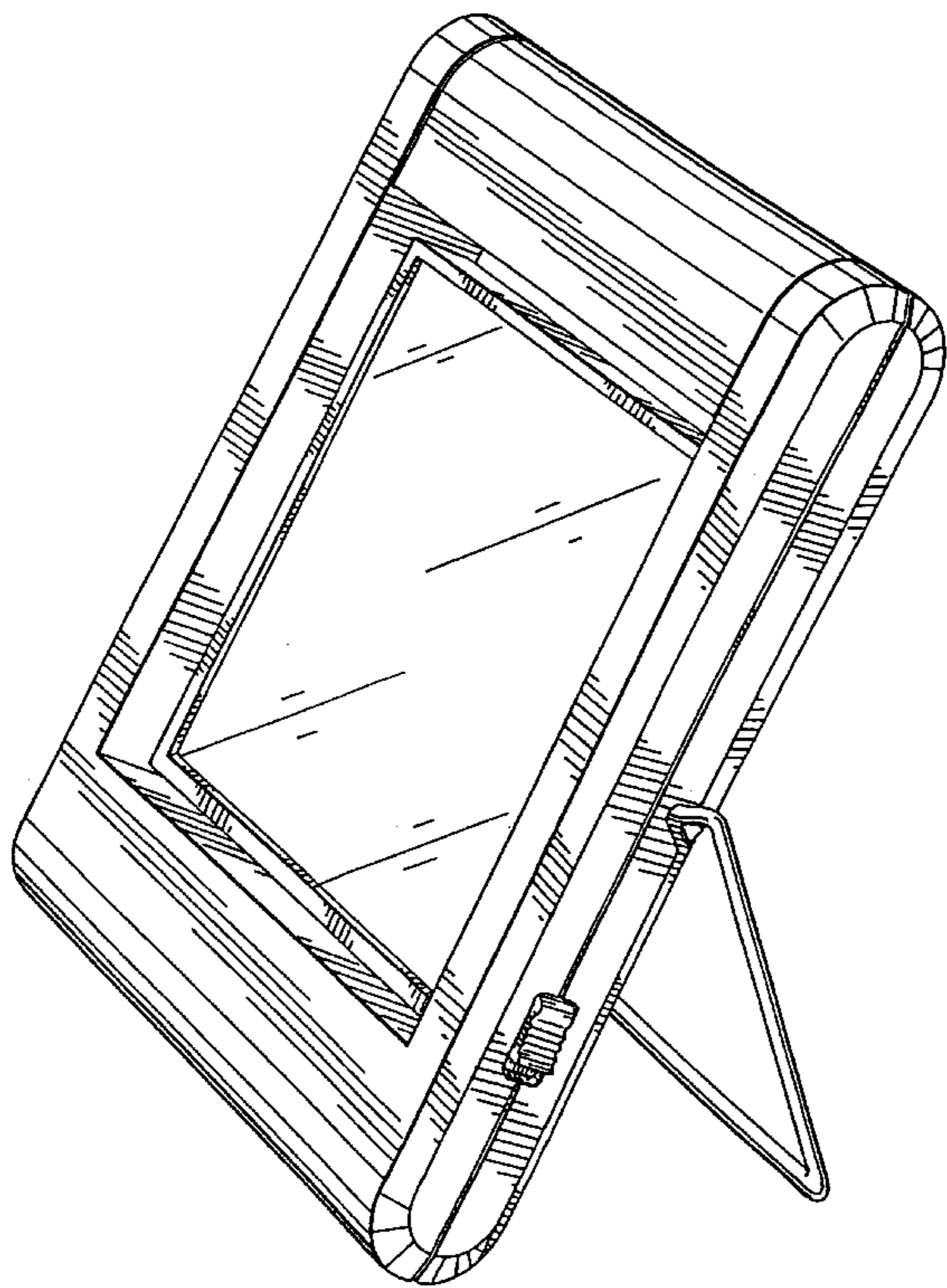
[57] **CLAIM**

The ornamental design of a flip-top mirror, as shown and described.

**DESCRIPTION**

FIG. 1 is a perspective view of the flip-top mirror; FIG. 2 is a plan view of the front of the mirror; FIG. 3 is a plan view of the back of the mirror; FIG. 4 is a first side view of the mirror; FIG. 5 is a second side view of the mirror; FIG. 6 is a top view of the mirror; FIG. 7 is a bottom view of the mirror; FIG. 8 is a perspective view of the mirror with the flip top light in a use position; FIG. 9 is a plan view of the front of the mirror in the use position; FIG. 10 is a plan view of the back of the mirror in the use position; FIG. 11 is a first side view of the mirror in the use position; FIG. 12 is a second side view of the mirror in the use position; FIG. 13 is a top view of the mirror in the use position; and, FIG. 14 is a bottom view of the mirror in the use position.

**1 Claim, 14 Drawing Sheets**



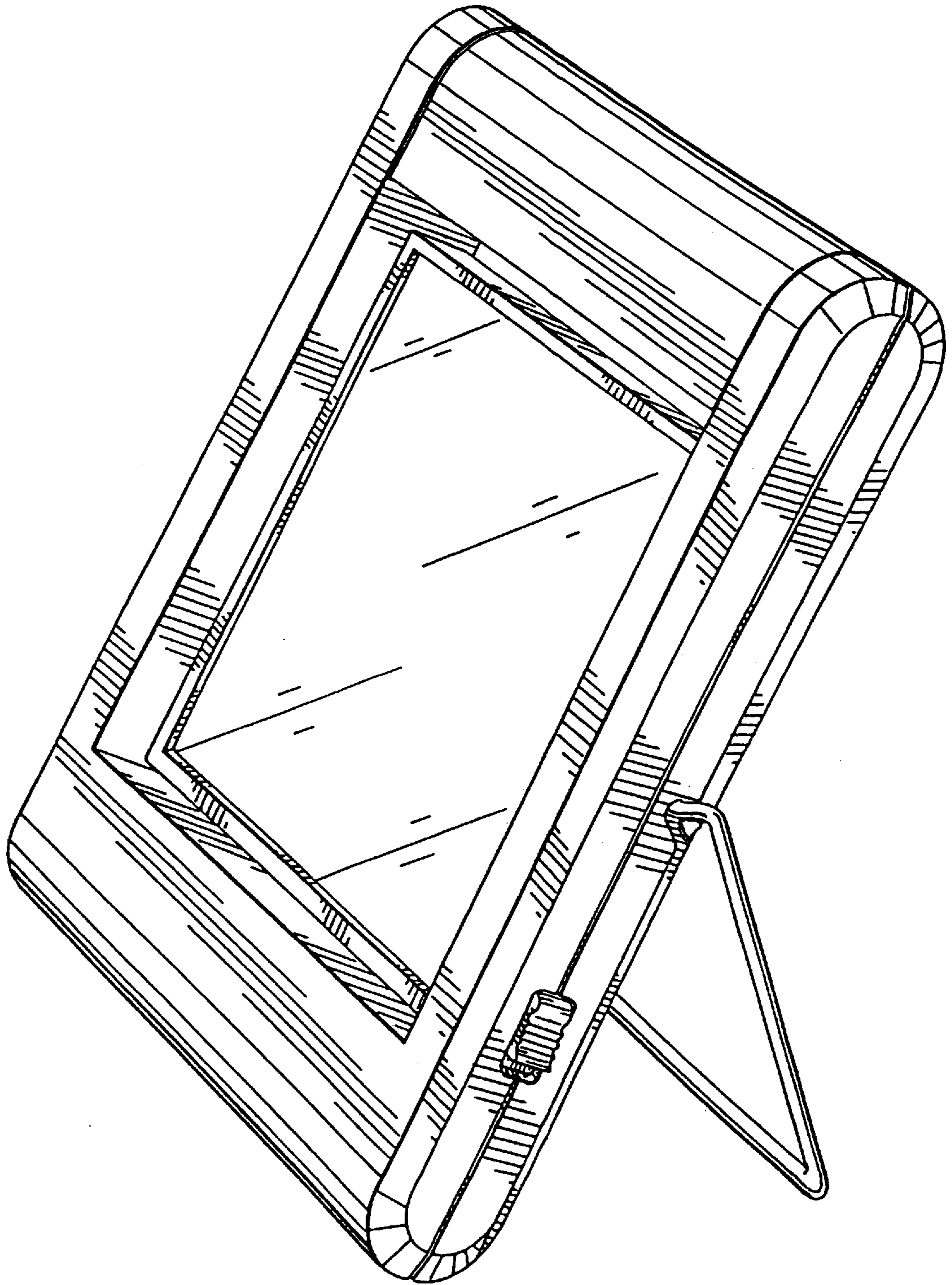


FIG. 1

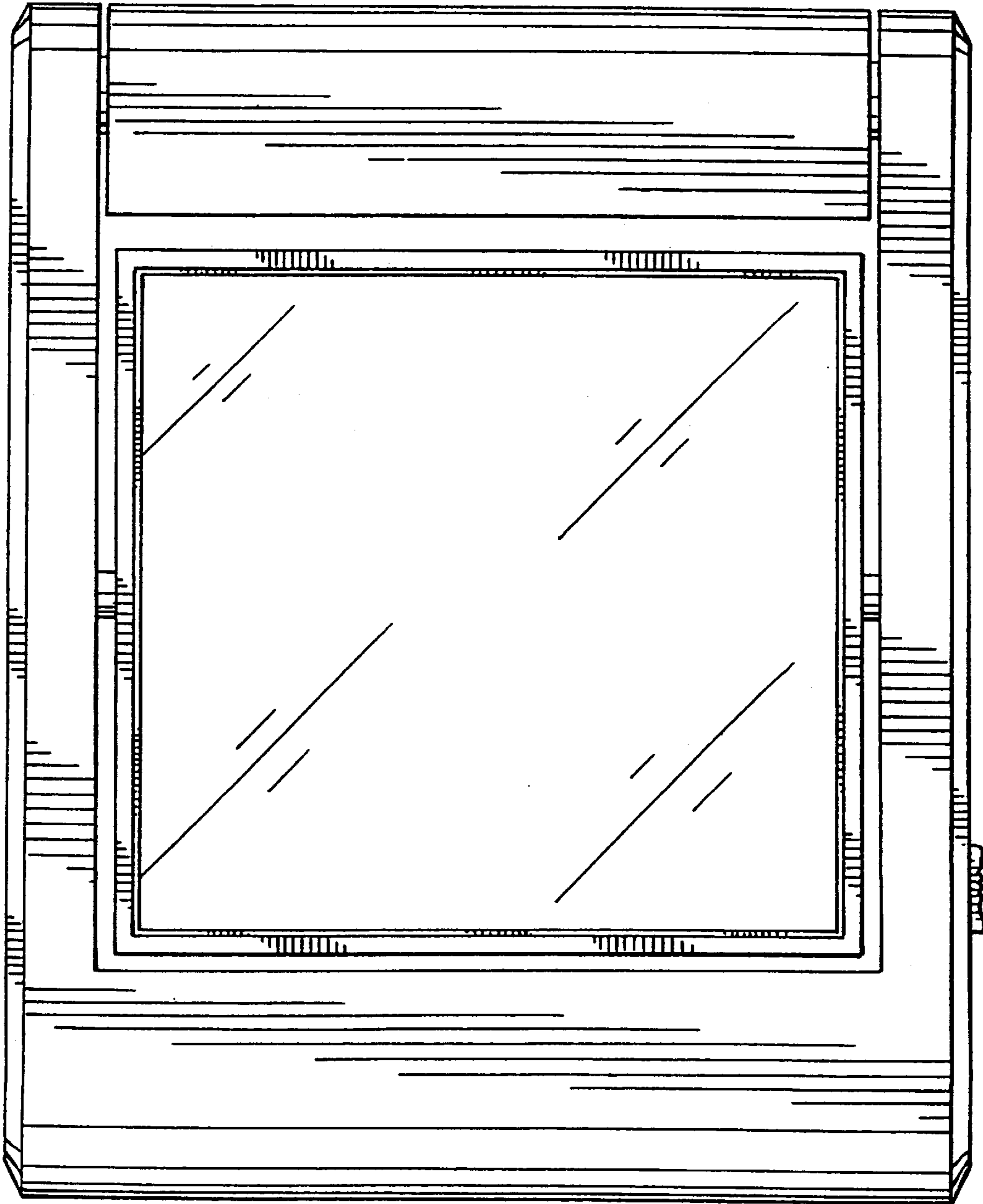


FIG. 2

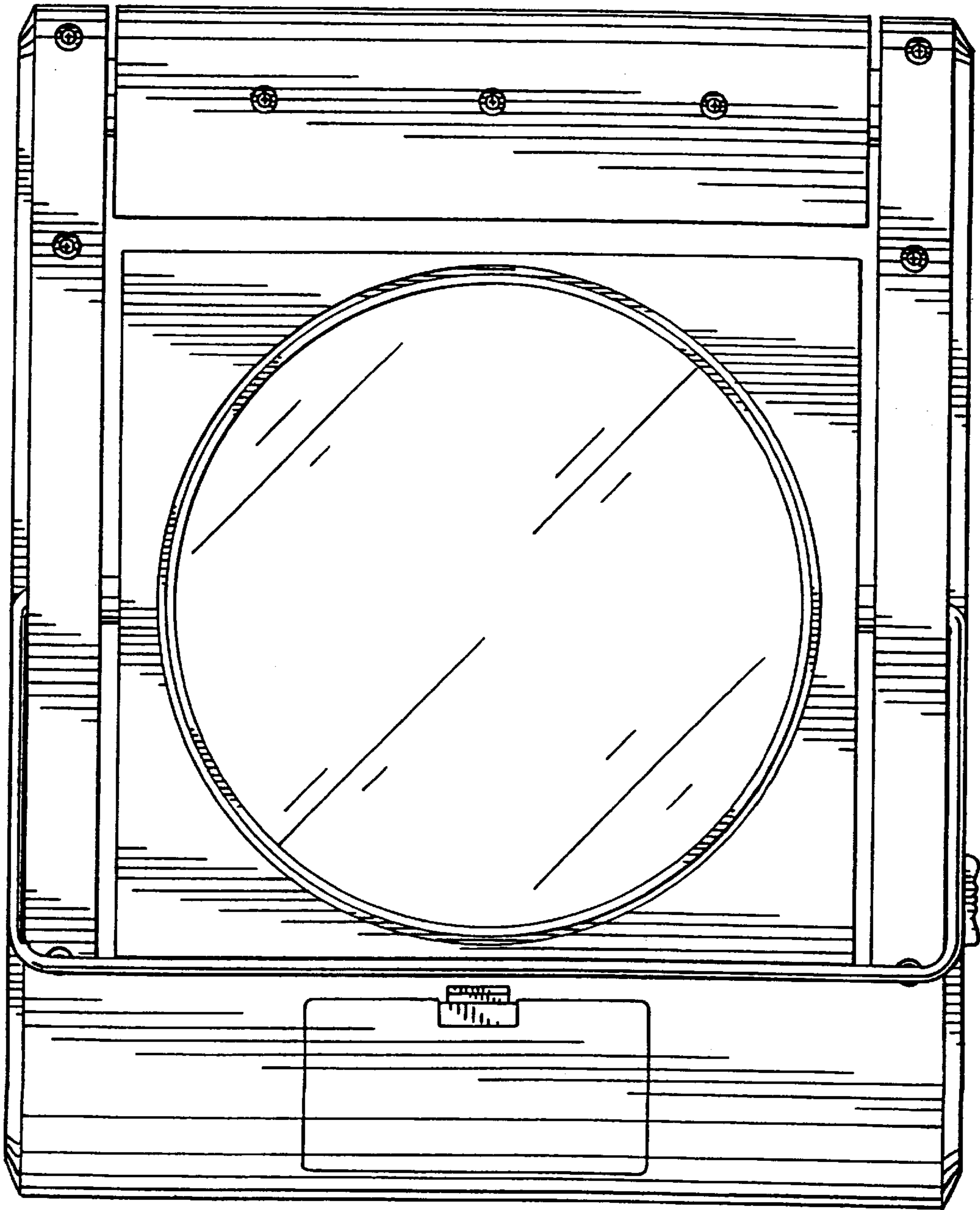


FIG. 3

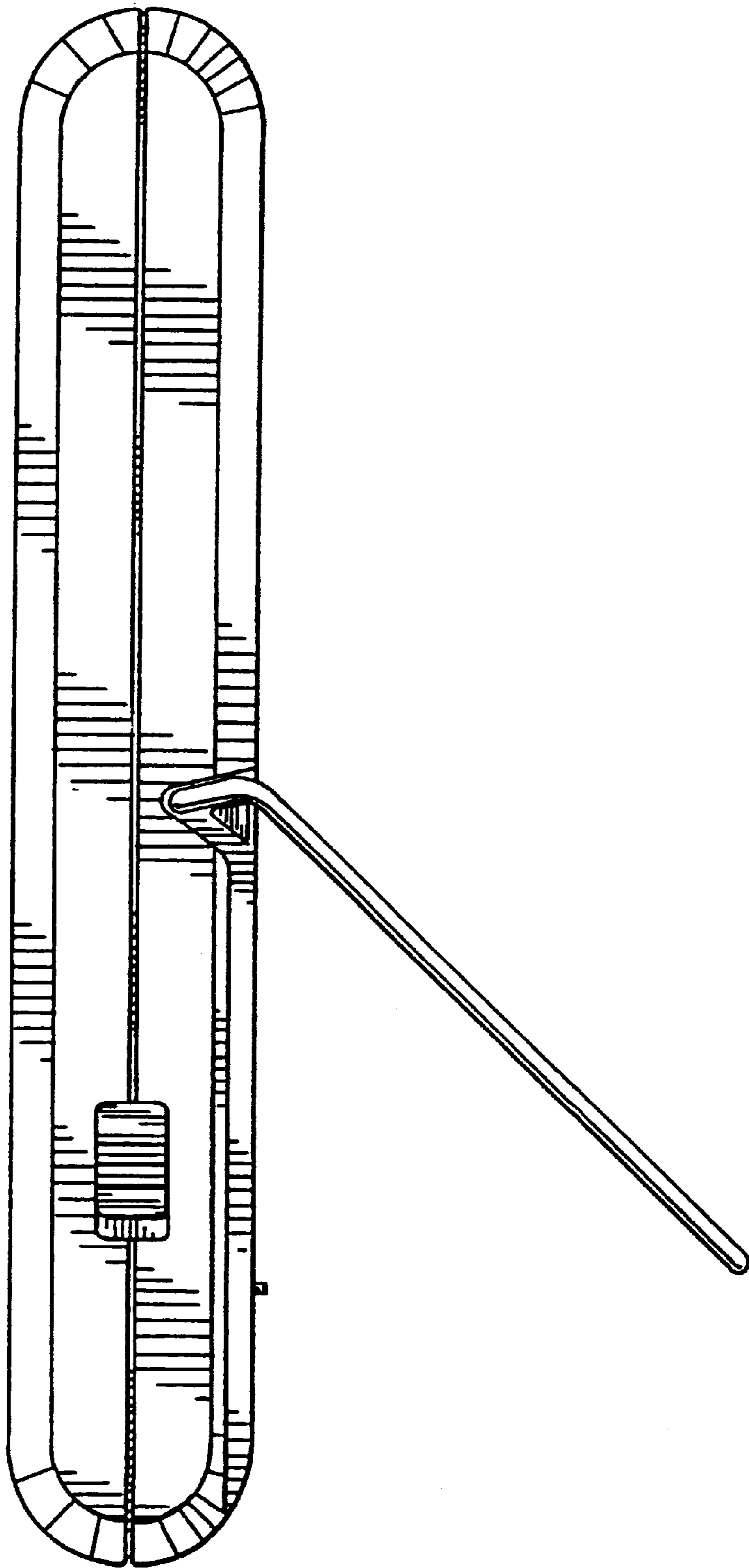


FIG. 4

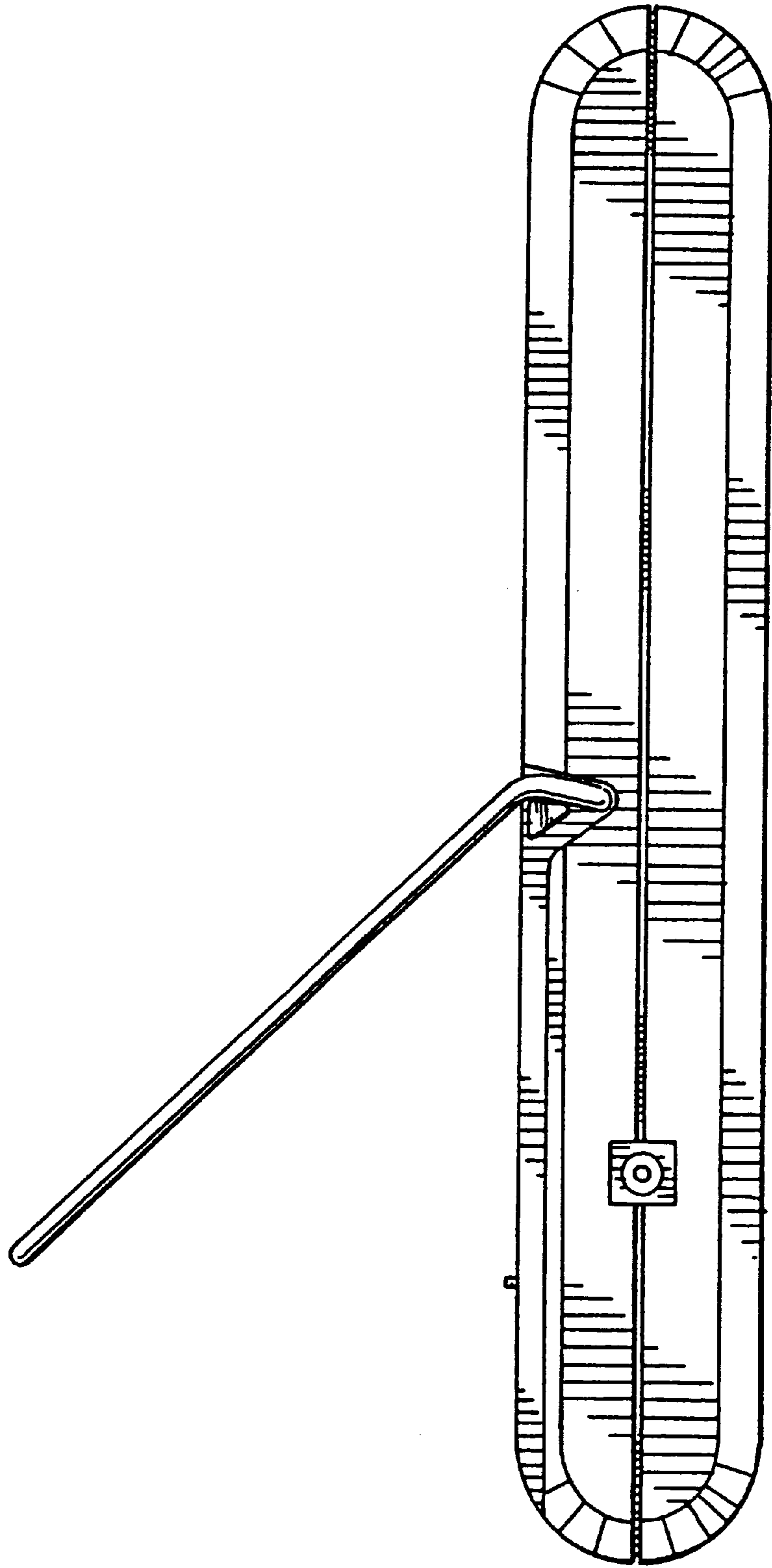


FIG. 5

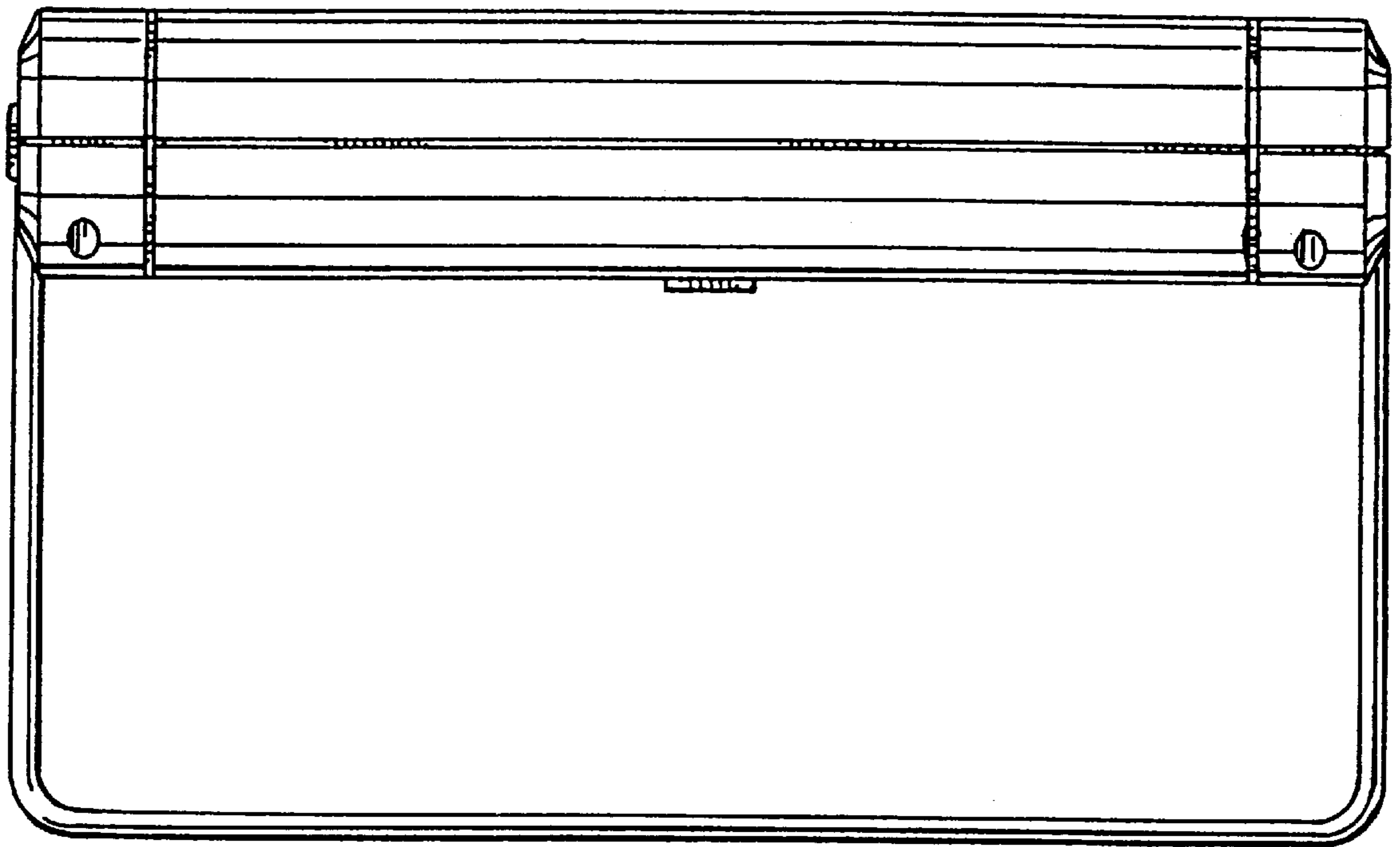


FIG. 6

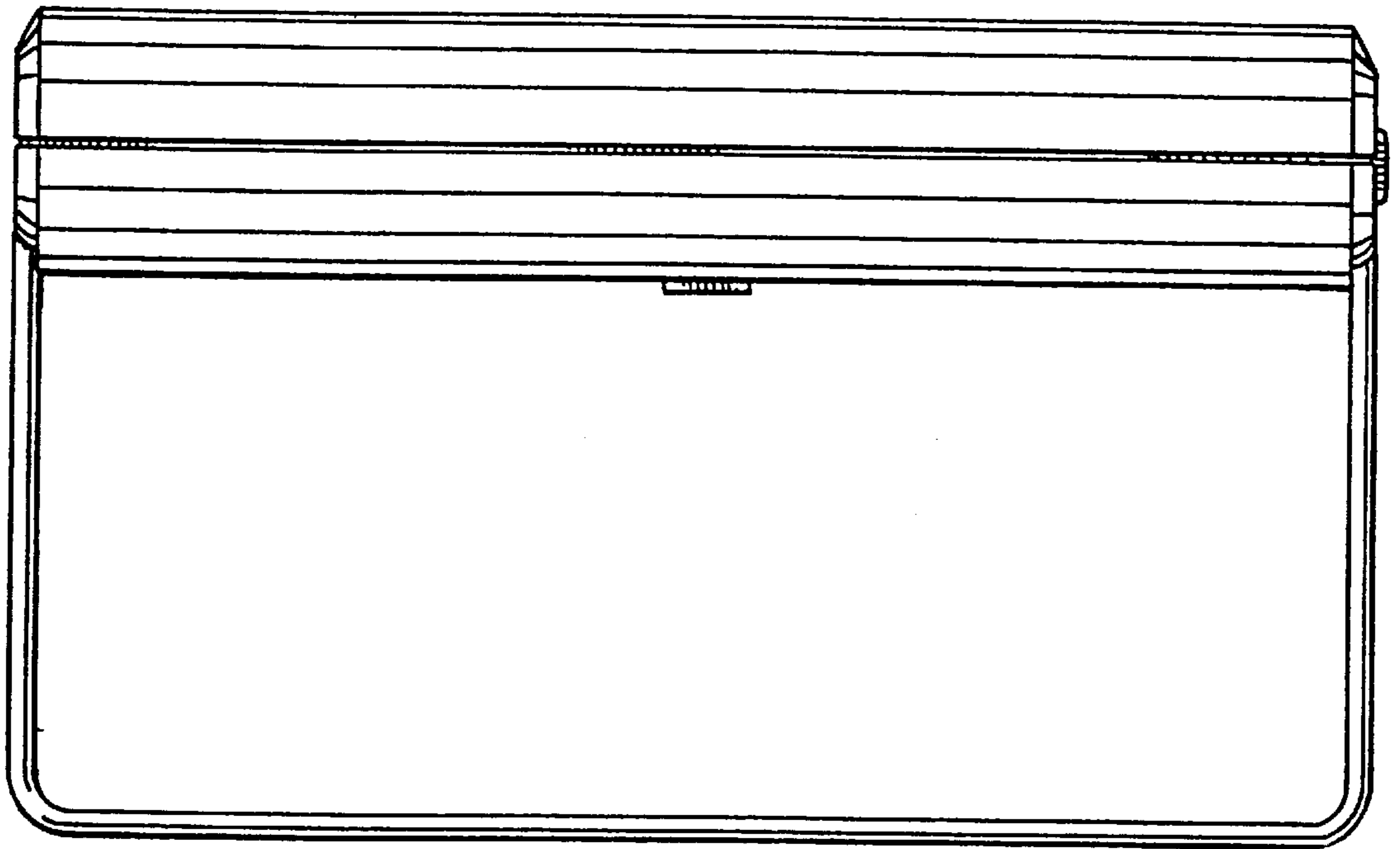


FIG. 7



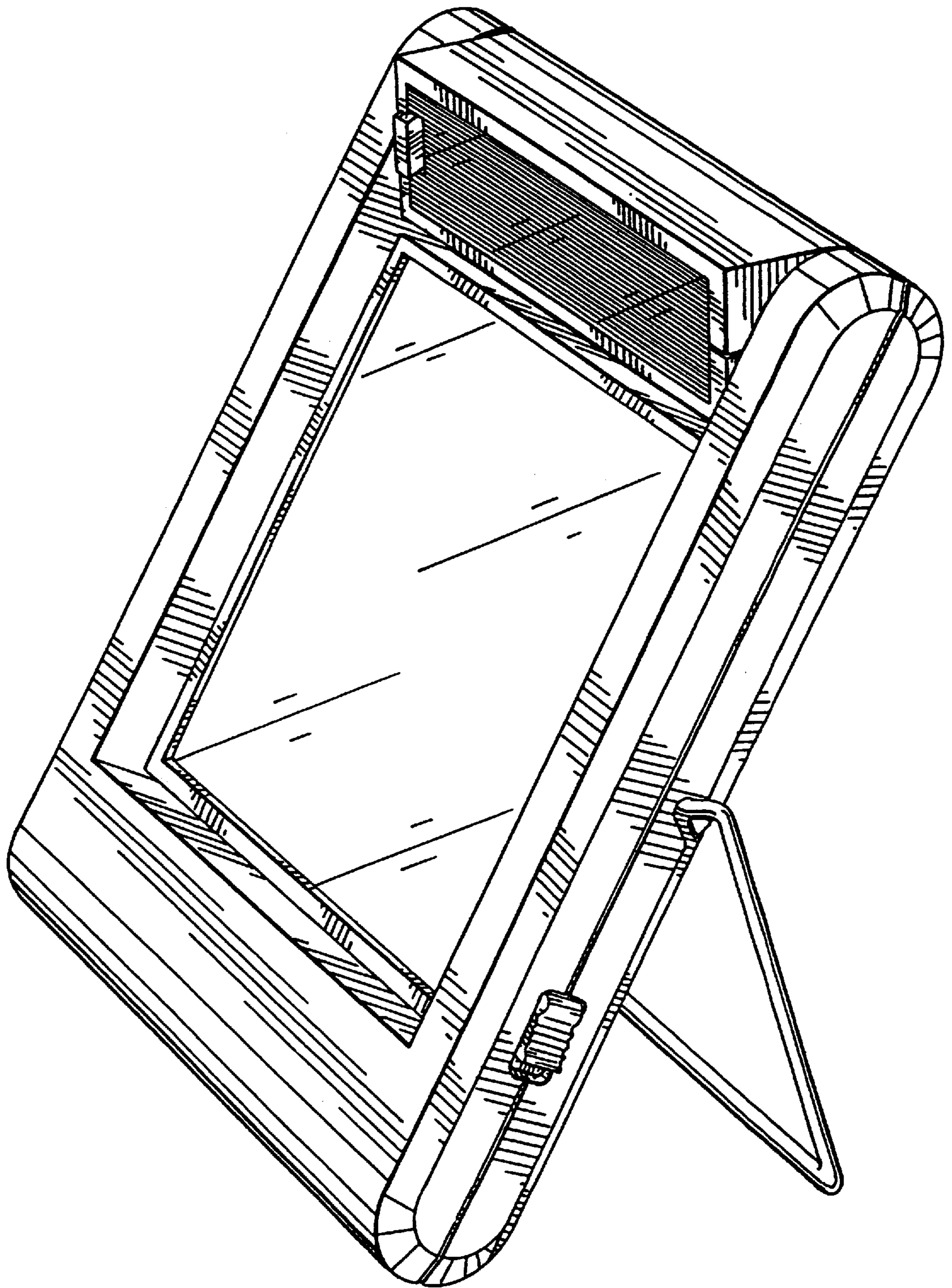


FIG. 8

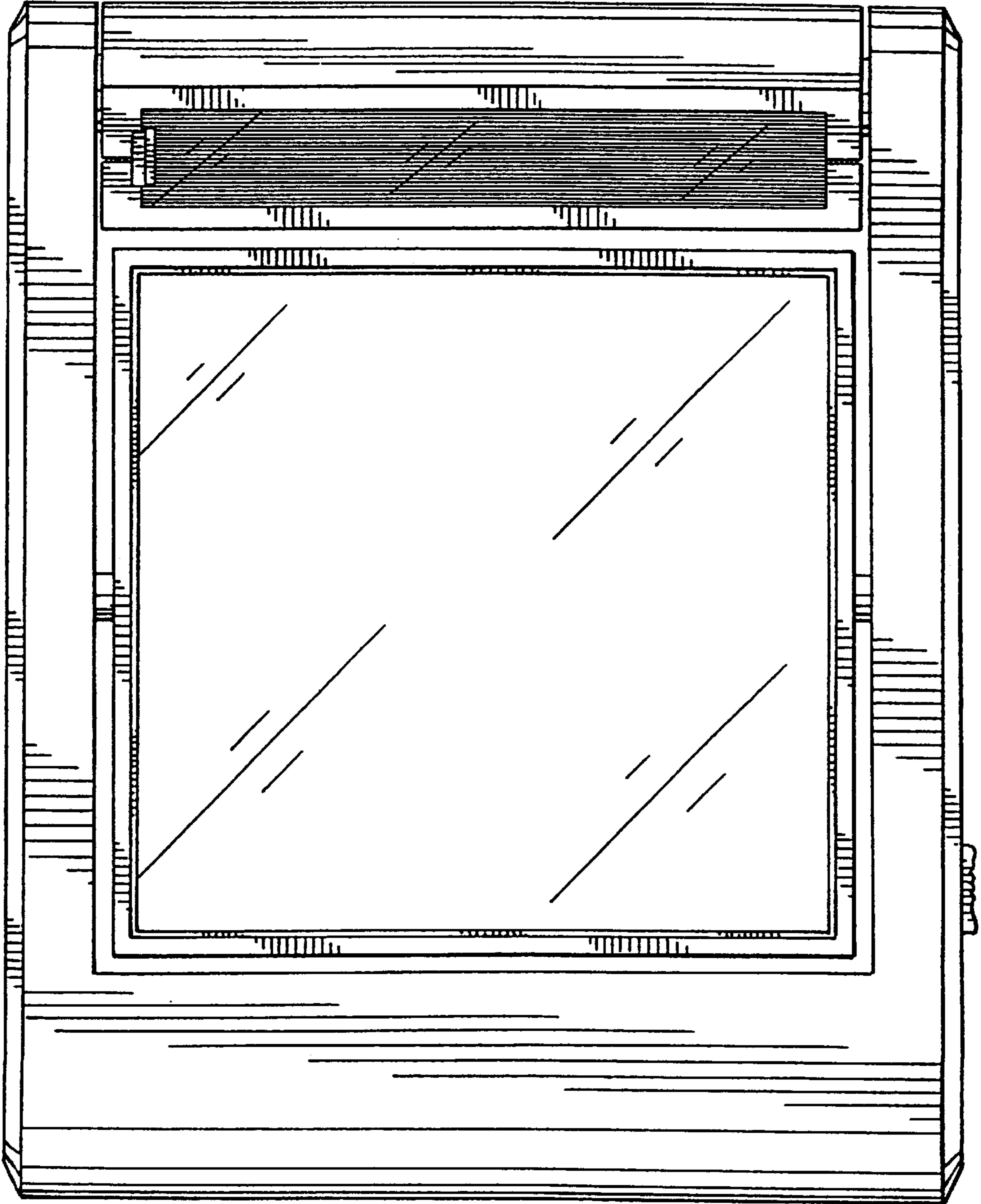


FIG. 9

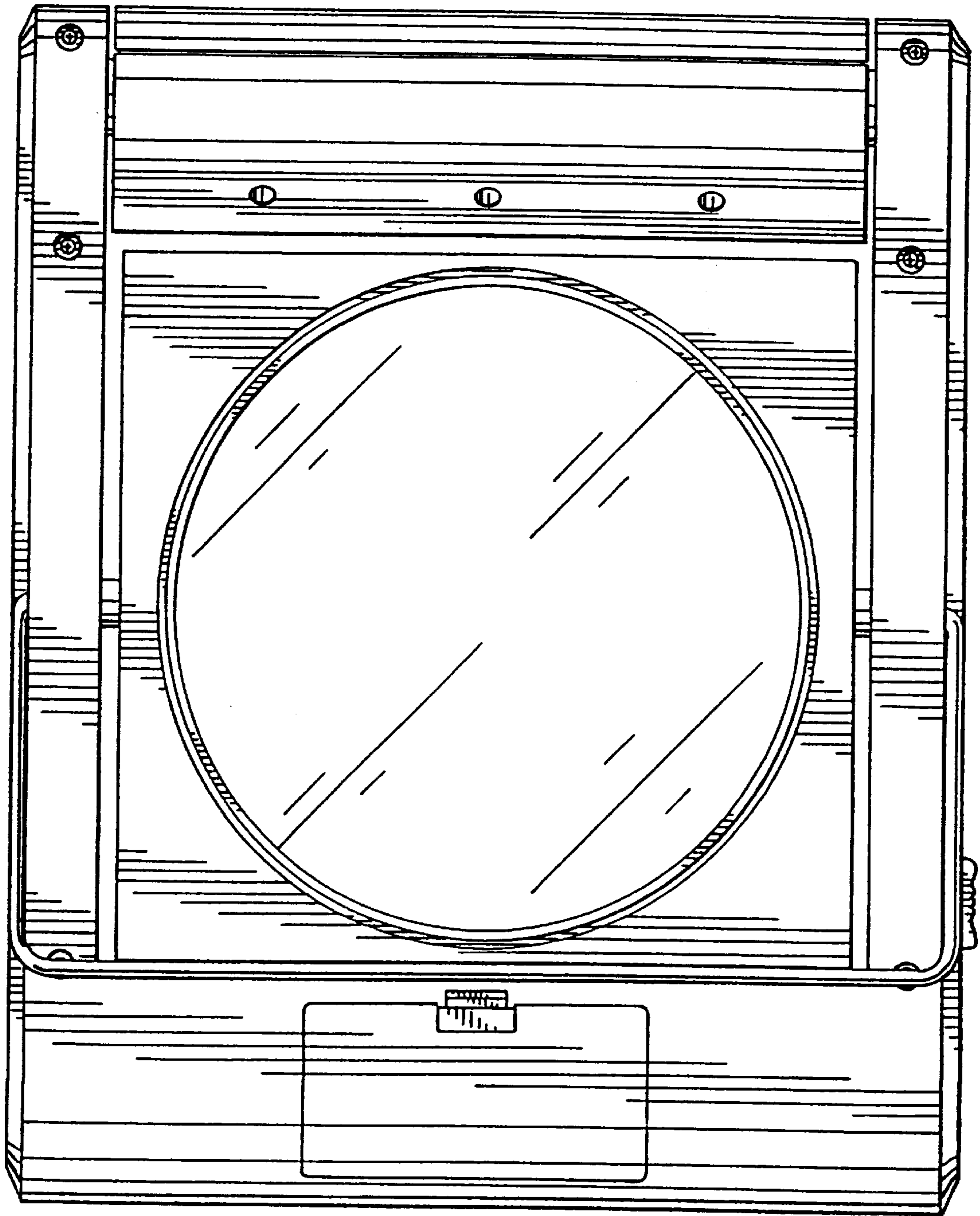


FIG. 10

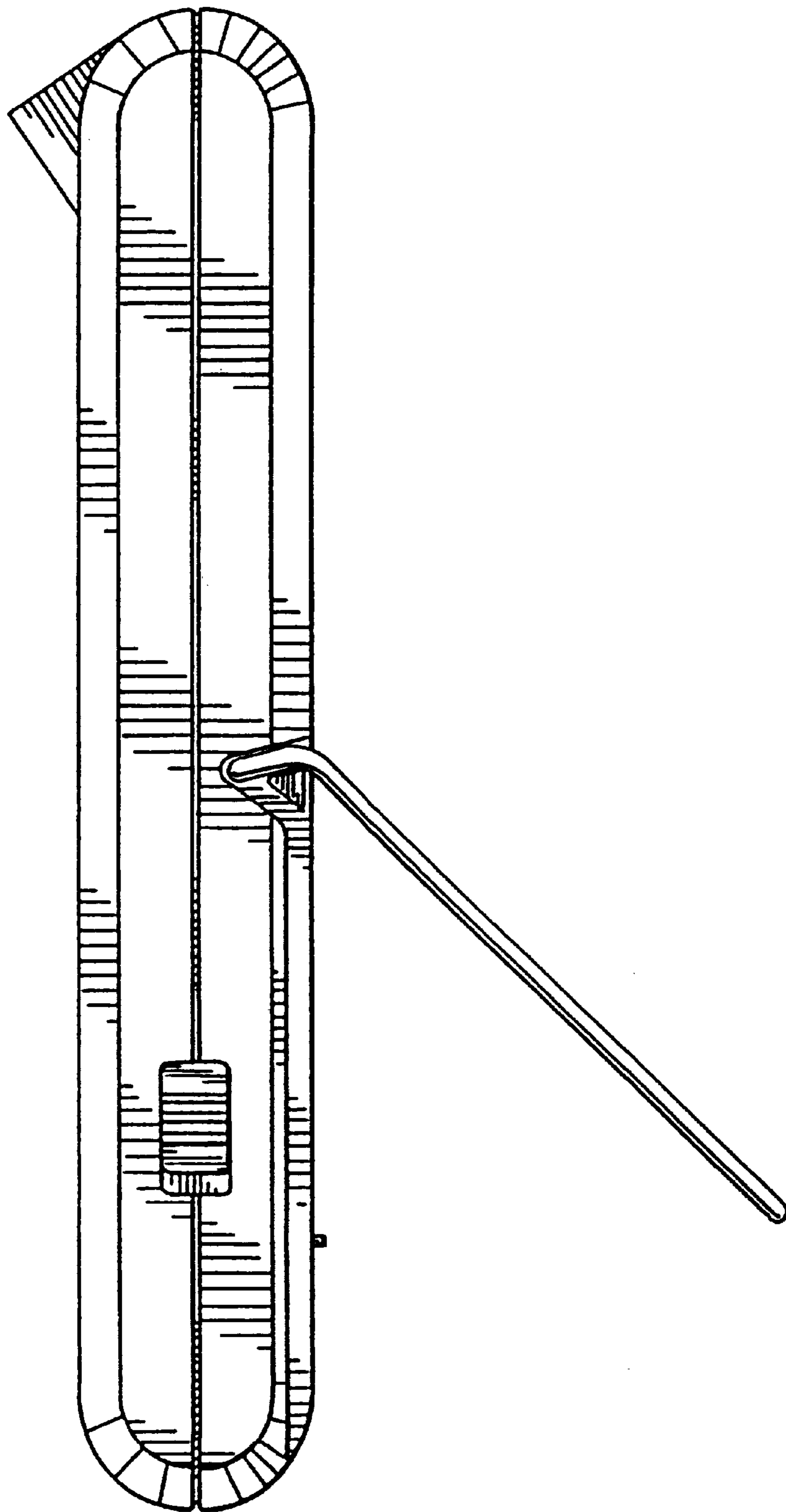


FIG. 11

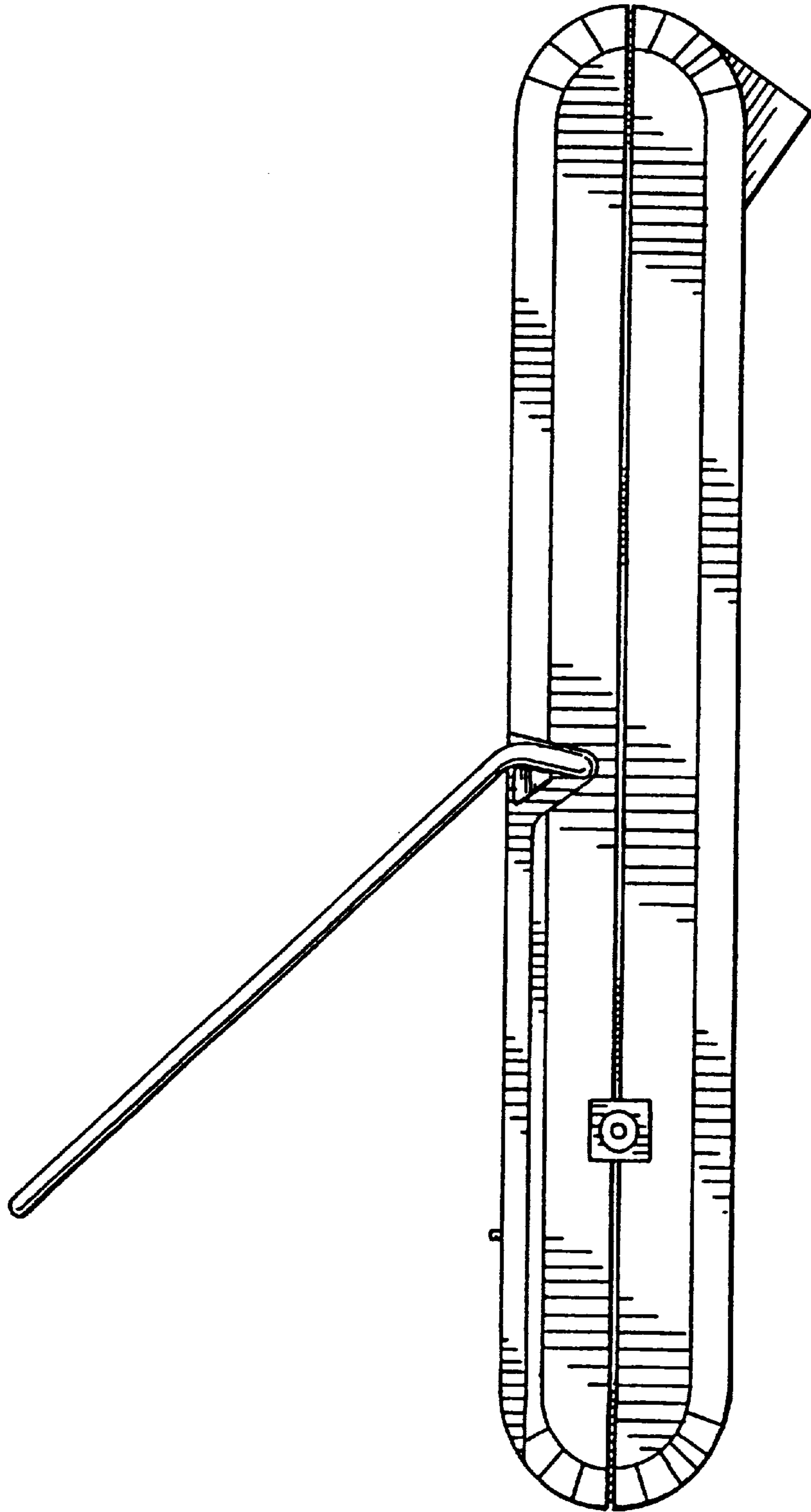


FIG. 12

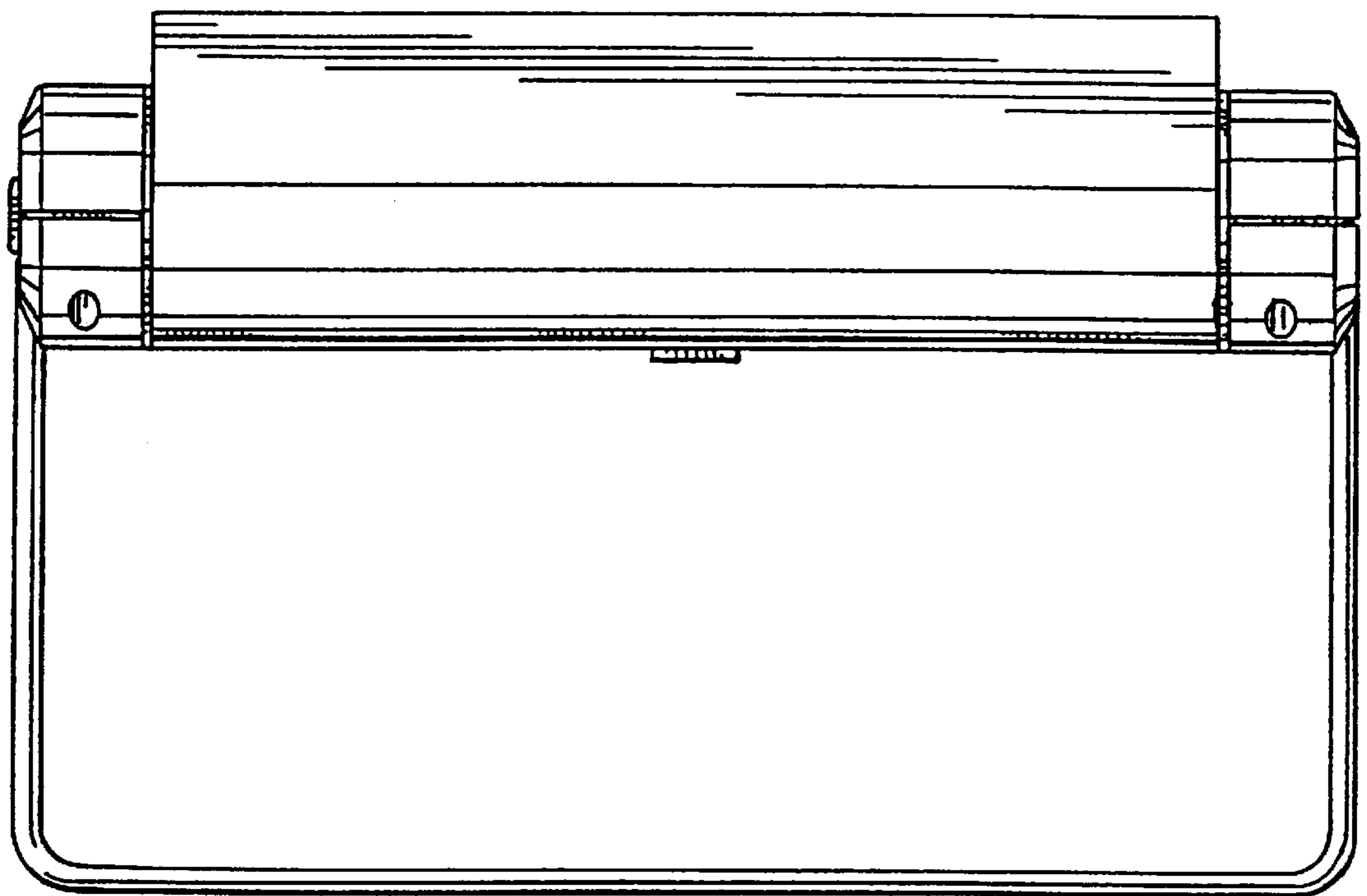


FIG. 13

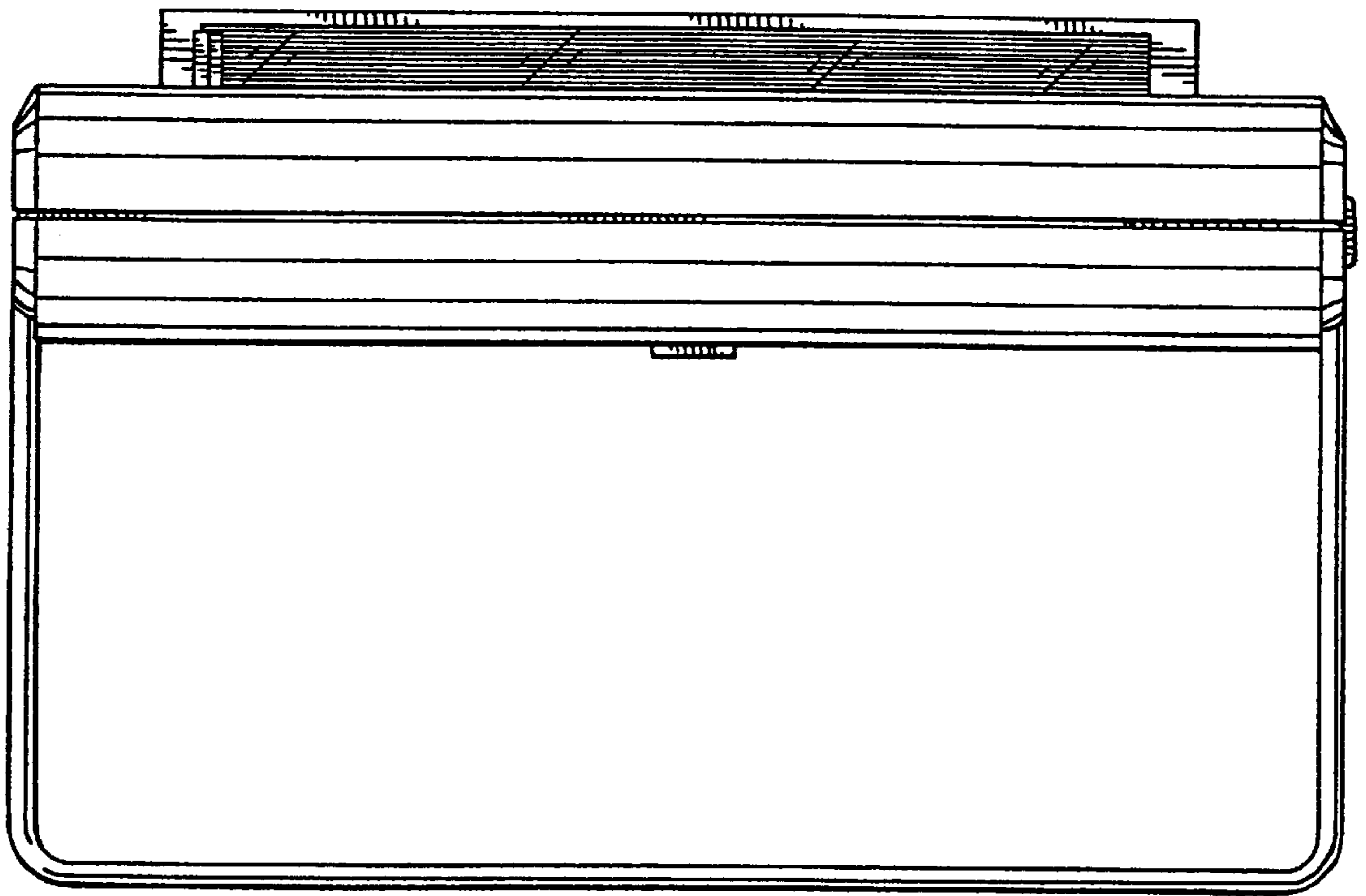


FIG. 14