



US00D425313S

# United States Patent [19]

[11] **Patent Number: Des. 425,313**

**Zadro**

[45] **Date of Patent: \*\* May 23, 2000**

[54] **VANITY MIRROR**

D. 254,208 2/1980 Breslow ..... D6/309  
D. 309,833 8/1990 Wahl ..... D6/300

[76] Inventor: **Zlatko Zadro**, 16742 Wanderer La.,  
Huntington Beach, Calif. 92649

*Primary Examiner*—Janice E. Seeger  
*Attorney, Agent, or Firm*—William L. Chapin

[\*\*] Term: **14 Years**

### [57] CLAIM

[21] Appl. No.: **29/108,977**

The ornamental design for a vanity mirror, as shown and described.

[22] Filed: **Aug. 6, 1999**

[51] **LOC (7) Cl.** ..... **06-07**

### DESCRIPTION

[52] **U.S. Cl.** ..... **D6/309; D6/314**

FIG. 1 is a front perspective view of a vanity mirror according to the present invention.

[58] **Field of Search** ..... D6/300–314; D20/10,  
D20/40, 41; 40/661, 700, 711, 723, 732,  
735, 745, 747, 765, 771, 780, 790, 798,  
725; 248/474, 476; 359/838, 872, 876

FIG. 2 is a right side elevation view thereof, the left side elevation view being identical thereto.

FIG. 3 is a front elevation view thereof.

FIG. 4 is a rear elevation view thereof.

FIG. 5 is an upper plan view thereof; and,

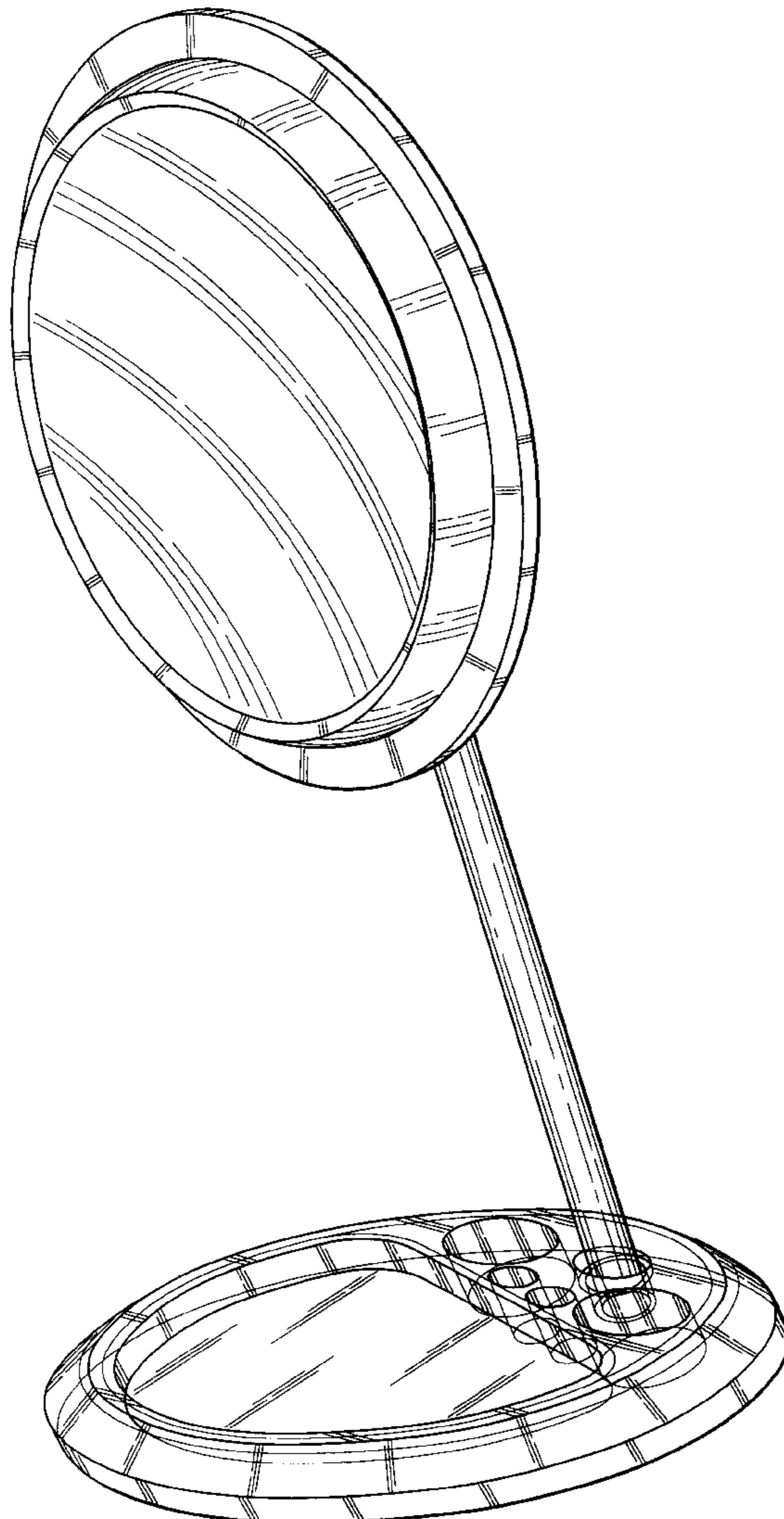
FIG. 6 is a lower plan view thereof.

### [56] References Cited

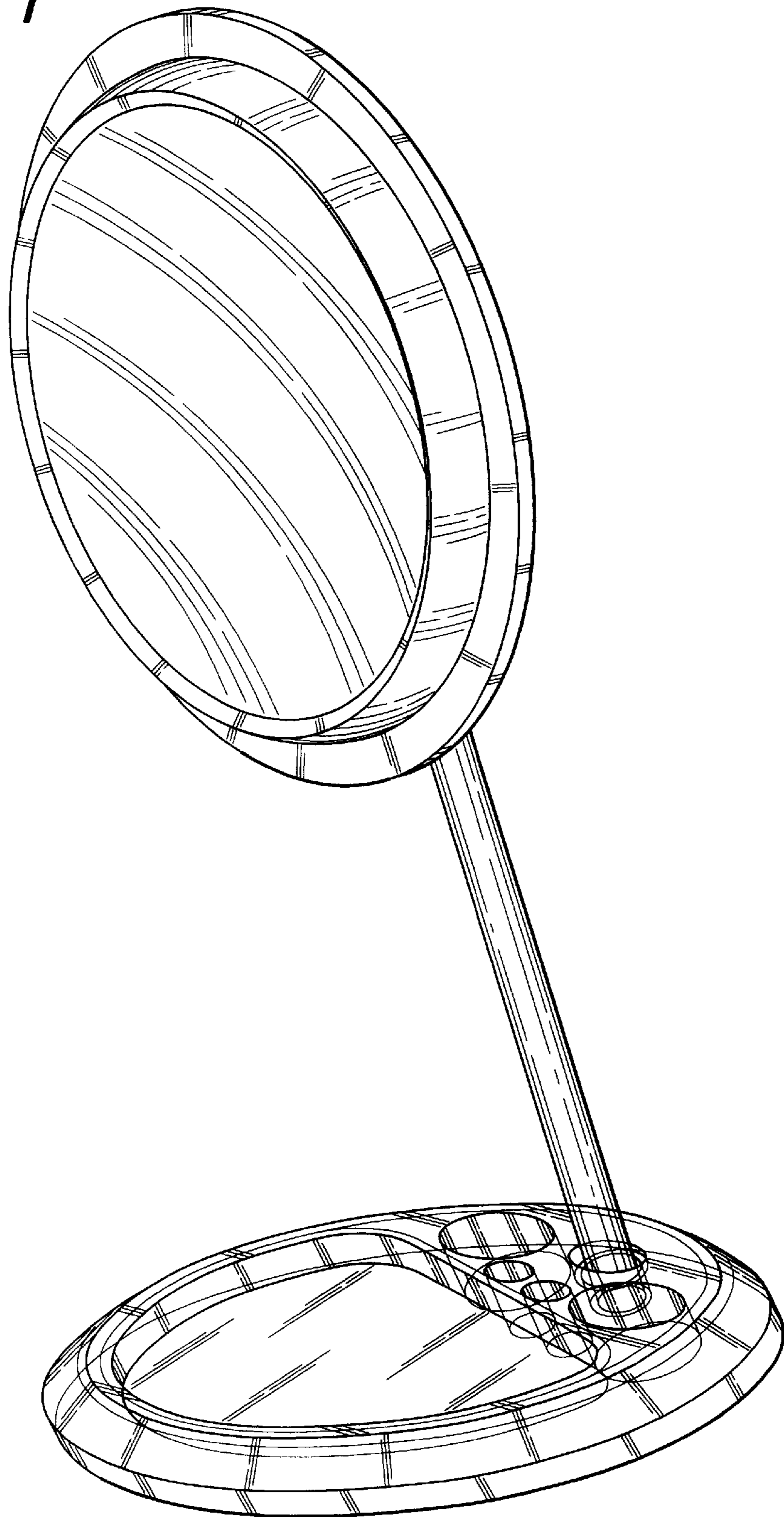
#### U.S. PATENT DOCUMENTS

D. 95,698 5/1935 Milliken ..... D6/308  
D. 243,478 2/1977 Jones ..... D6/309

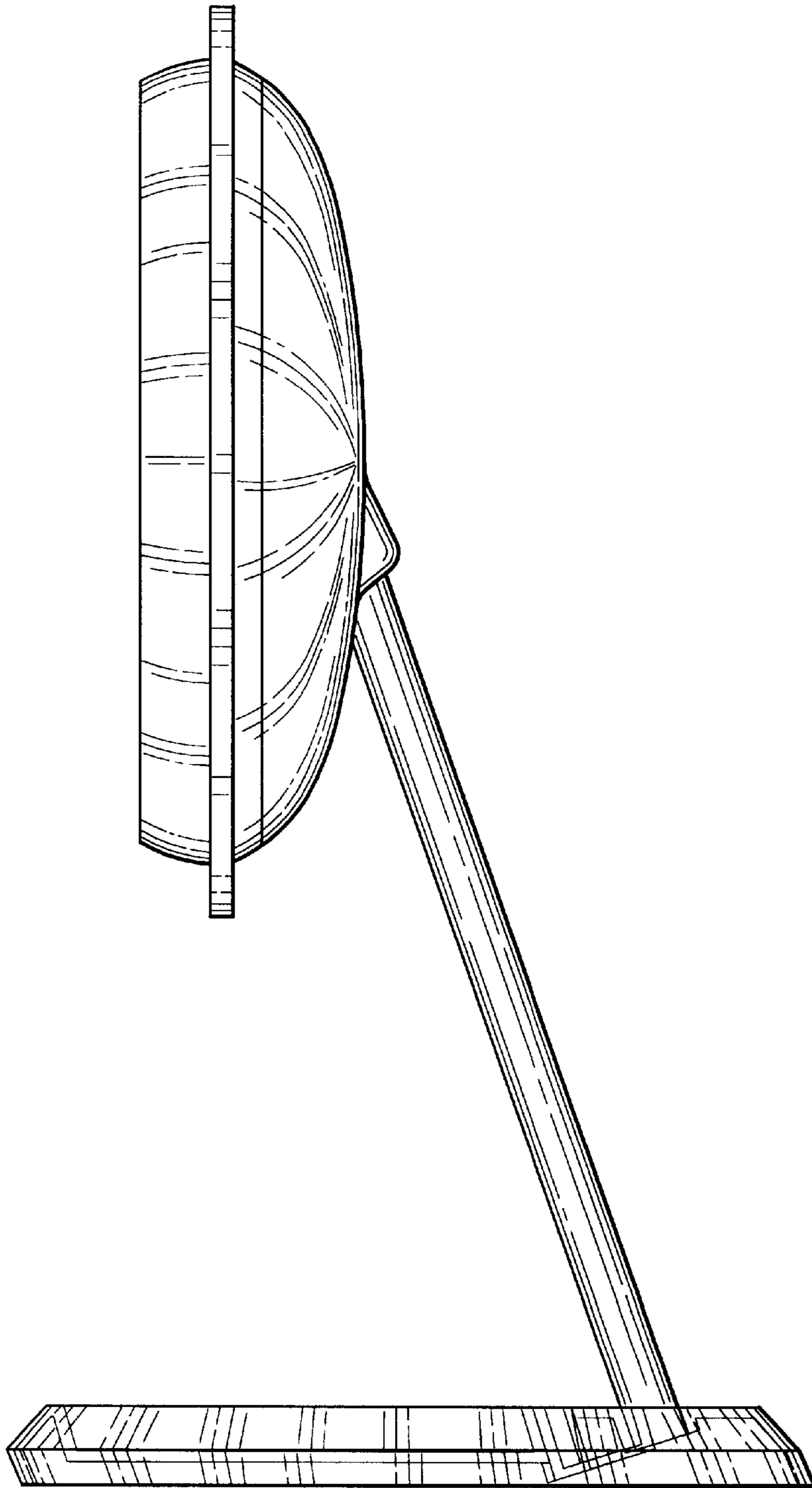
**1 Claim, 5 Drawing Sheets**



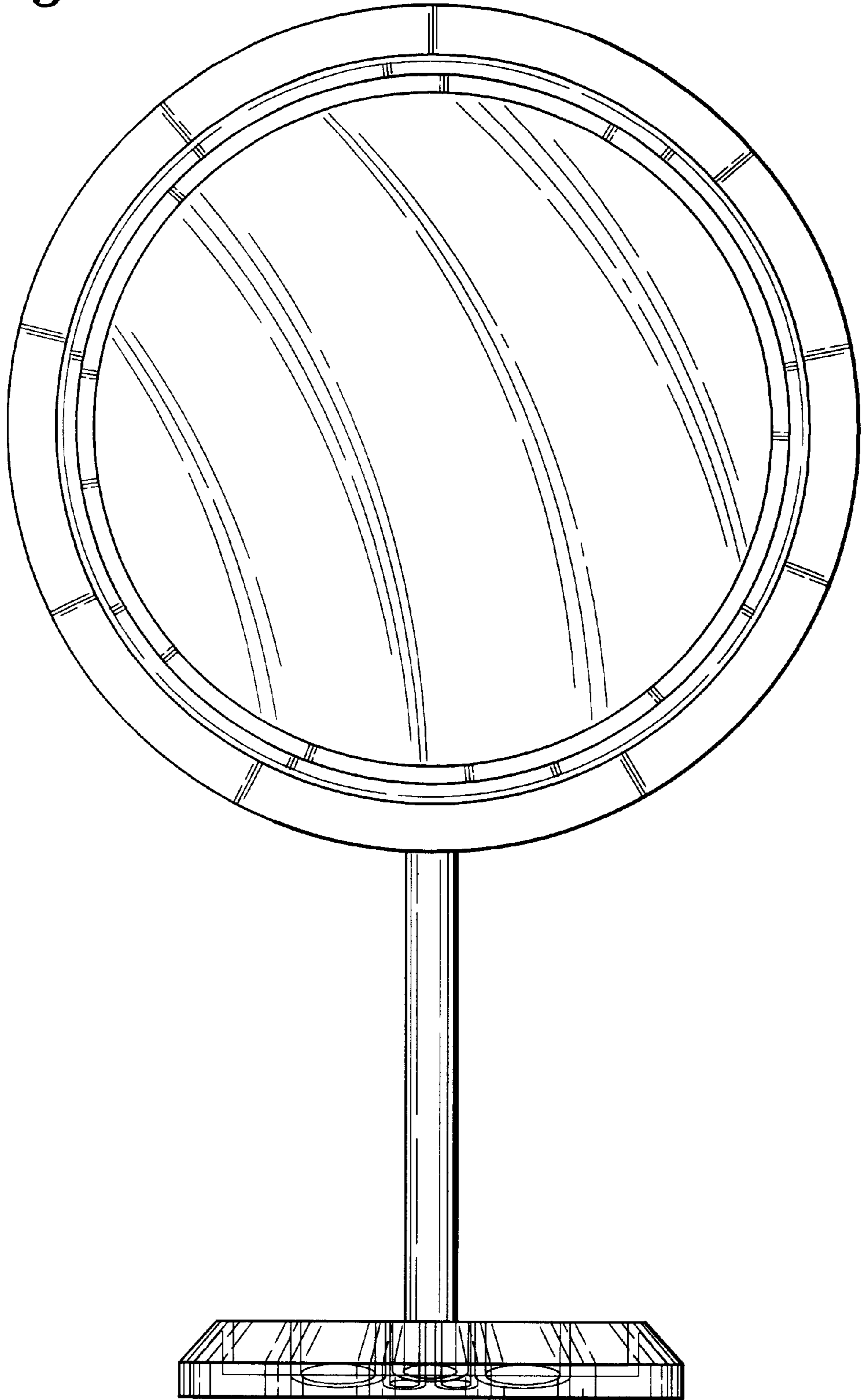
*Fig. 1*



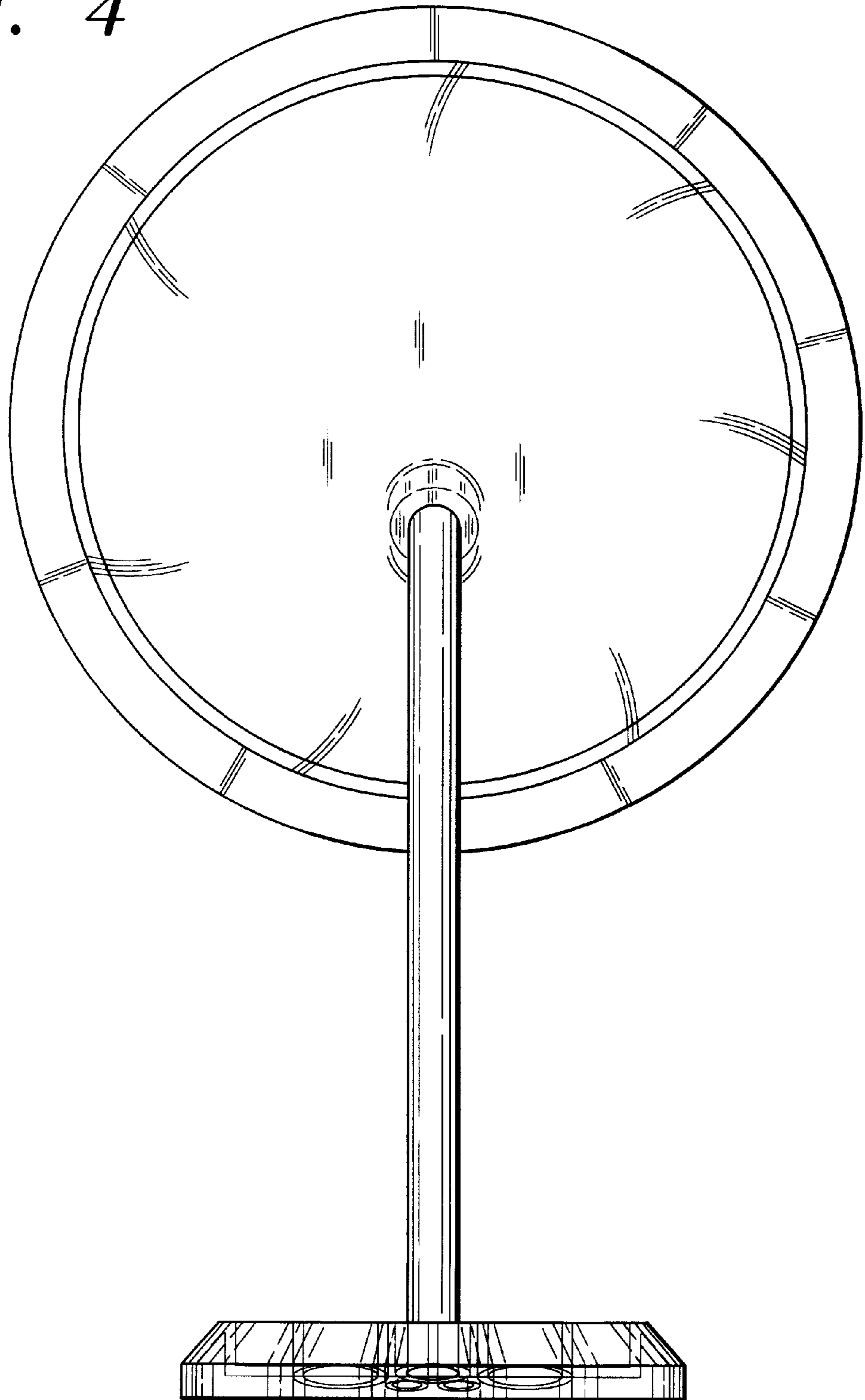
*Fig. 2*



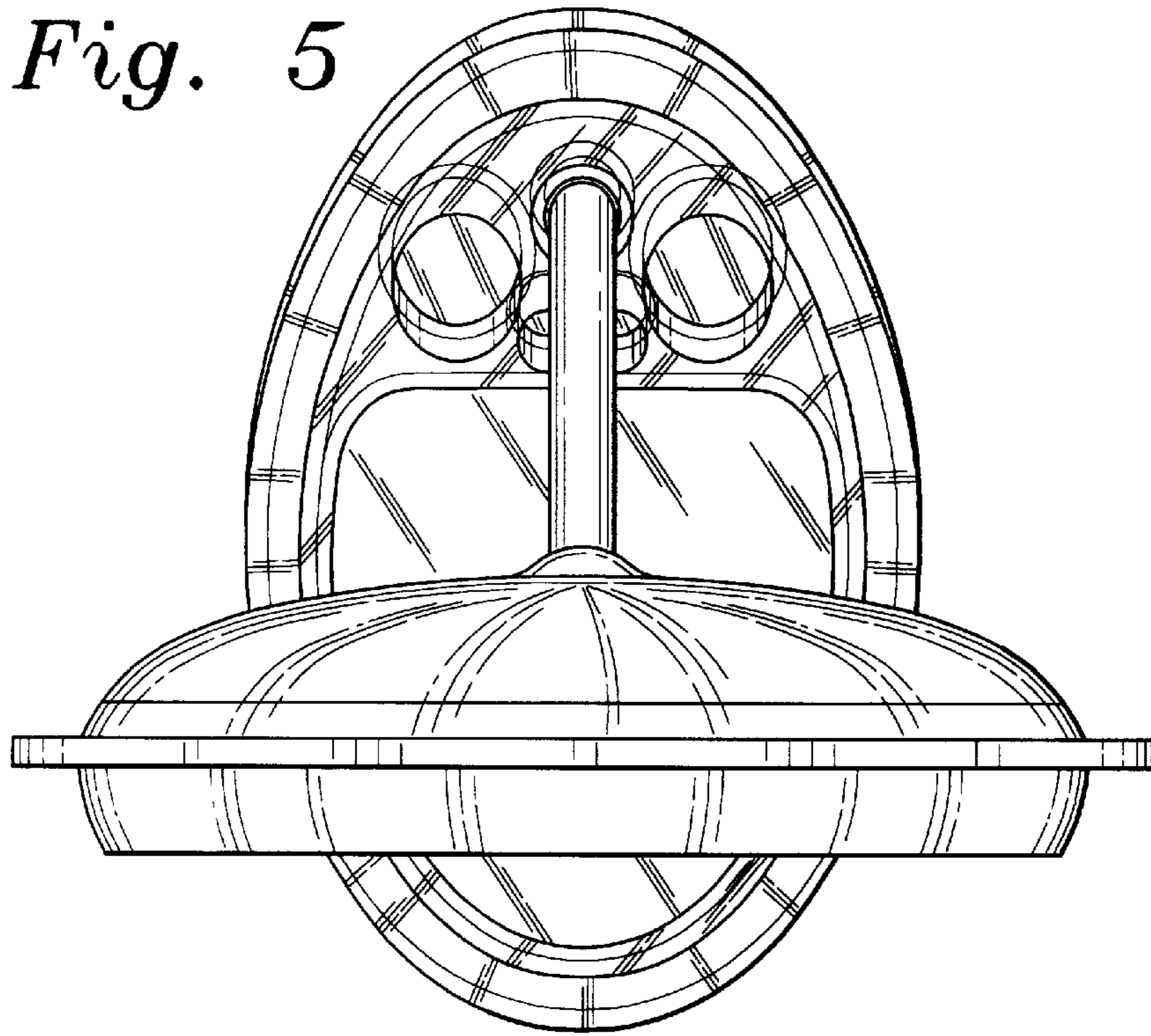
*Fig. 3*



*Fig. 4*



*Fig. 5*



*Fig. 6*

