



US00D425311S

United States Patent [19]

Reynolds et al.

[11] Patent Number: **Des. 425,311**

[45] Date of Patent: **** May 23, 2000**

[54] **PANELED MIRROR**

4,643,544 2/1987 Loughran 359/854

[75] Inventors: **Peter Reynolds**, Ft. Laud.; **Lawrence E. Clark**, Miami, both of Fla.

Primary Examiner—Janice E. Seeger
Attorney, Agent, or Firm—Liniak, Berenato, Longacre & White

[73] Assignee: **Quest Industries, Inc.**, Miami, Fla.

[57] CLAIM

[**] Term: **14 Years**

The ornamental design for a paneled mirror, as shown and described.

[21] Appl. No.: **29/103,164**

DESCRIPTION

[22] Filed: **Apr. 9, 1999**

[51] **LOC (7) Cl.** **06-07**

FIG. 1 is a front view of a paneled mirror showing my new design.

[52] **U.S. Cl.** **D6/302; D6/312**

FIG. 2 is a rear view of the mirror shown in FIG. 1.

[58] **Field of Search** D6/300-314; D20/10,

FIG. 3 is a top view of the mirror shown in FIG. 1.

D20/40; 40/700, 711, 714, 716, 723, 729,

FIG. 4 is a bottom view of the mirror shown in FIG. 1.

732, 735, 745, 747, 765, 768, 771, 780,

FIG. 5 is a right side view of the mirror shown in FIG. 1.

790, 798; 248/474; 359/838, 850, 854,

FIG. 6 is a left side view of the mirror shown in FIG. 1; and,

872, 876

FIG. 7 is a top and left side perspective view of the mirror shown in FIG. 1.

[56] References Cited

The broken lines are for environmental purposes only and form no part of the claimed design.

U.S. PATENT DOCUMENTS

D. 372,591 8/1996 Brunner et al. D6/300

1 Claim, 3 Drawing Sheets

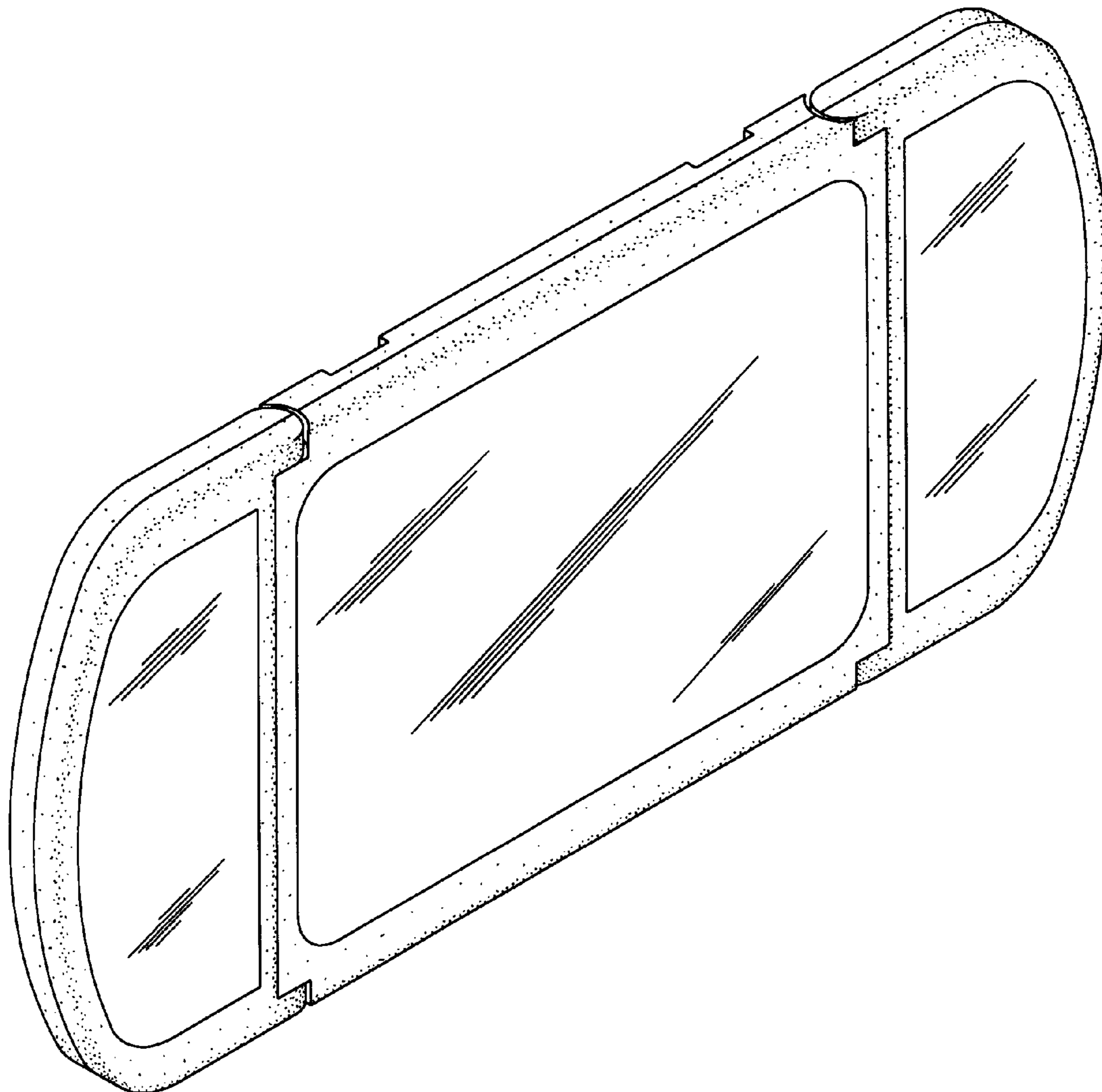


Fig. 1

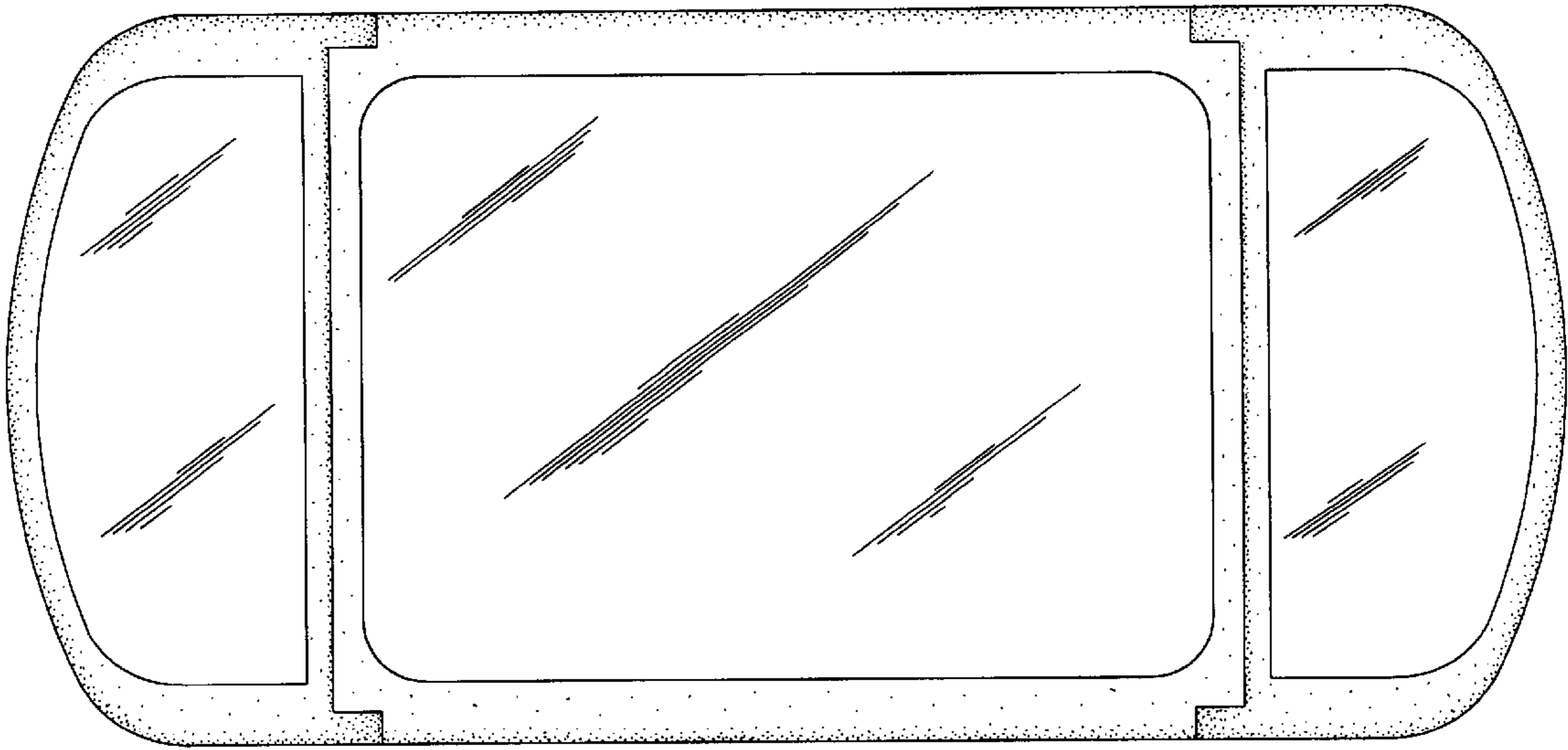


Fig. 2

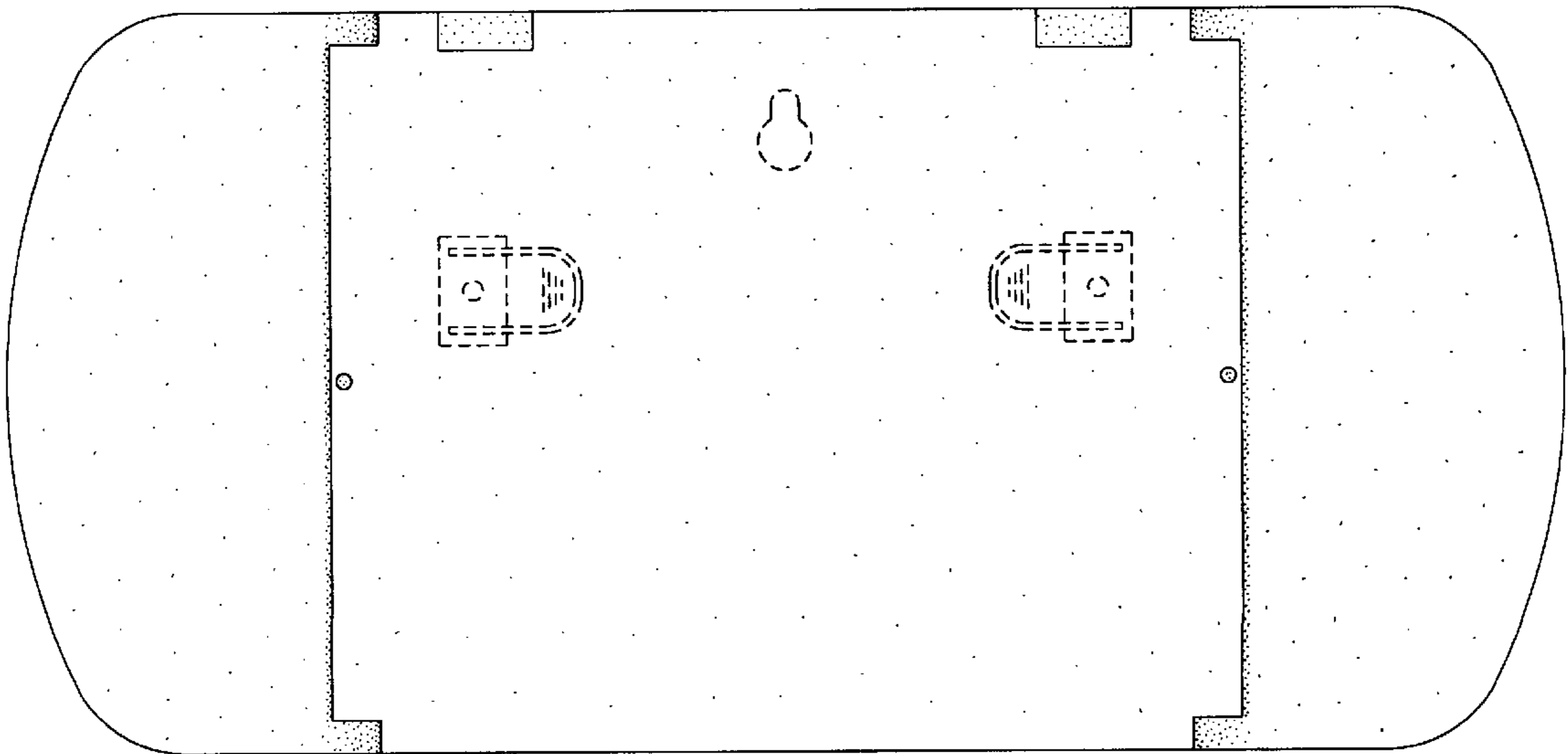


Fig. 3

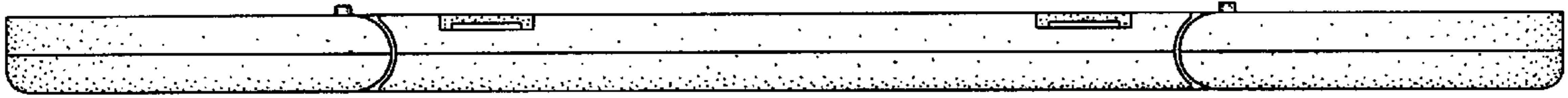


Fig. 4

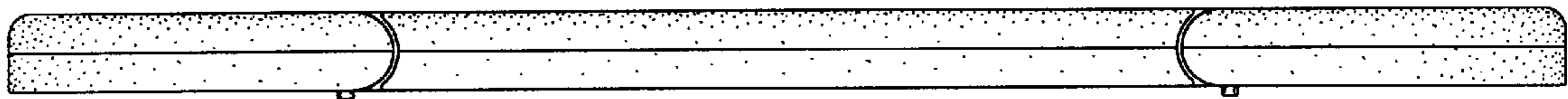


Fig. 5



Fig. 6

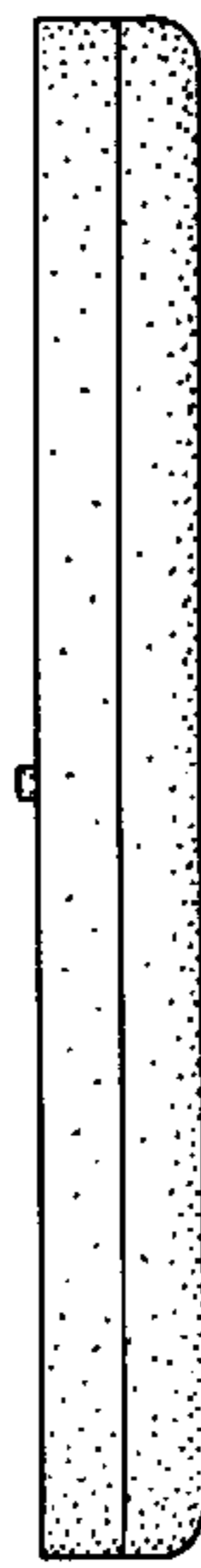


Fig. 7

