



US00D425309S

United States Patent [19] Granito

[11] **Patent Number: Des. 425,309**

[45] **Date of Patent: ** May 23, 2000**

[54] **RETRACTABLE BRUSH**

Attorney, Agent, or Firm—Davis and Bujold

[76] Inventor: **Mario Granito**, 50 Masefield Crescent,
Abingdon, Oxfordshire OX14 5PJ,
United Kingdom

[57] **CLAIM**

I claim the ornamental design for a retractable brush, as shown and described.

[**] Term: **14 Years**

DESCRIPTION

[21] Appl. No.: **29/107,330**

FIG. 1 is an exploded perspective view of the retractable brush embodying my new design;

[22] Filed: **Jul. 1, 1999**

FIG. 2 is an assembled perspective view of the brush components of FIG. 1 with the brush extended;

[30] **Foreign Application Priority Data**

Jan. 6, 1999 [GB] United Kingdom 2080190

FIG. 3 is a front elevational view of FIG. 2 with the brush extended;

[51] **LOC (7) Cl.** **04-01**

FIG. 4 is a left side elevational view of FIG. 2 with the brush extended;

[52] **U.S. Cl.** **D4/121; D4/127; D4/136**

FIG. 5 is a right side elevational view of FIG. 2 with the brush extended;

[58] **Field of Search** D4/121, 127, 129,
D4/130, 136, 138; 15/159.1, 160, 186–188,
184, 201, 202; 132/120, 123, 313; 119/612,
615, 625, 632, 664

FIG. 6 is a top plan view of FIG. 2 with the brush extended;

FIG. 7 is a bottom plan view of FIG. 2 with the brush extended;

[56] **References Cited**

FIG. 8 is a front elevational view of FIG. 2 with the brush retracted;

U.S. PATENT DOCUMENTS

D. 321,434	11/1991	Strickler	D4/136
D. 333,730	3/1993	Martin	D4/136
626,529	6/1899	Ducat	15/186
2,865,039	12/1958	Kaye et al.	15/184
4,001,910	1/1977	Peilet	15/184
4,527,576	7/1985	Chou	132/123

FIG. 9 is a left side elevational view of FIG. 2 with the brush retracted;

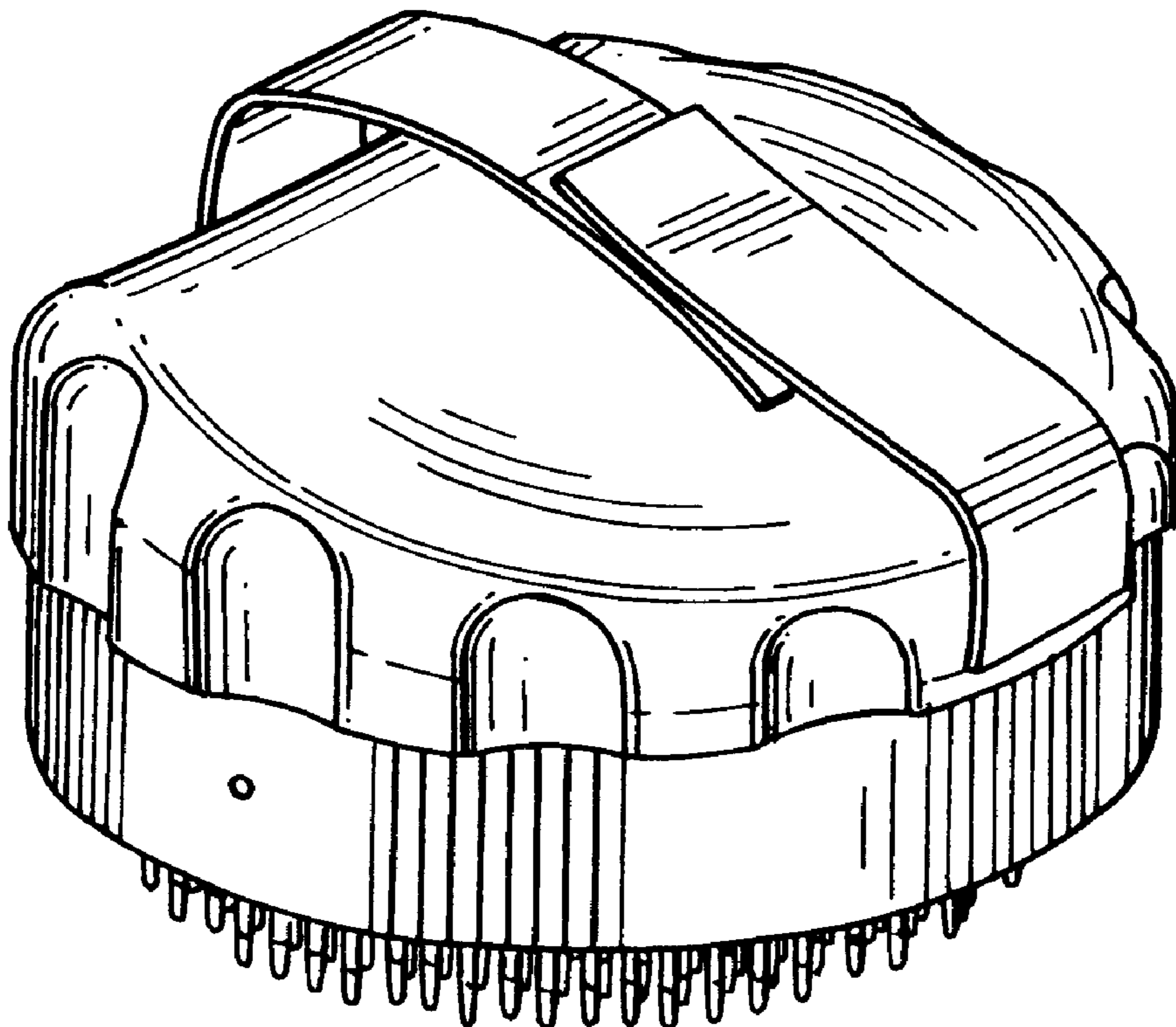
FIG. 10 is a right side elevational view of FIG. 2 with the brush retracted; and,

FIG. 11 is a bottom plan view of FIG. 2 with the brush retracted.

The rear of the brush is a mirror image of the front.

Primary Examiner—Alan P. Douglas
Assistant Examiner—Lavone Tabor

1 Claim, 6 Drawing Sheets



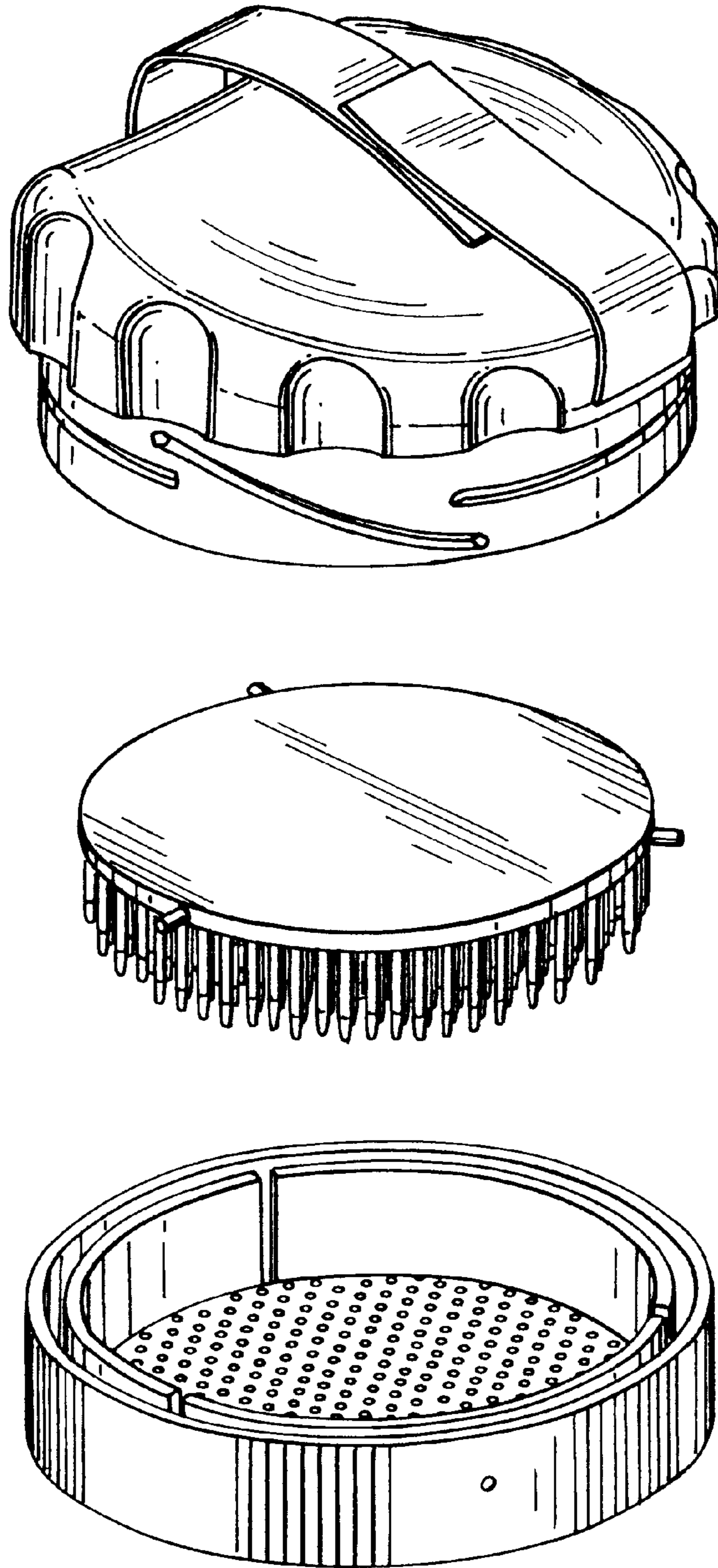


Fig. 1

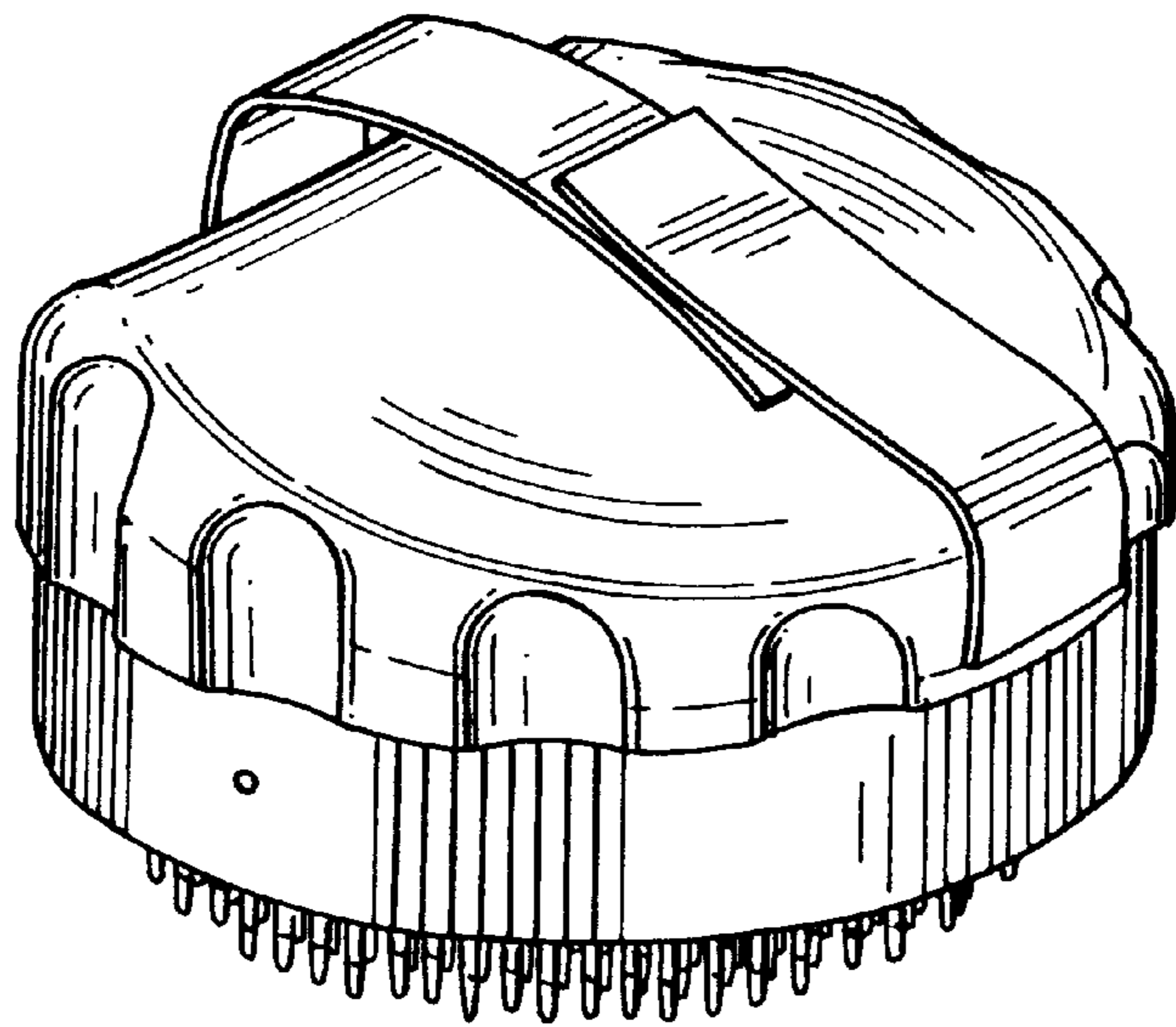


Fig. 2

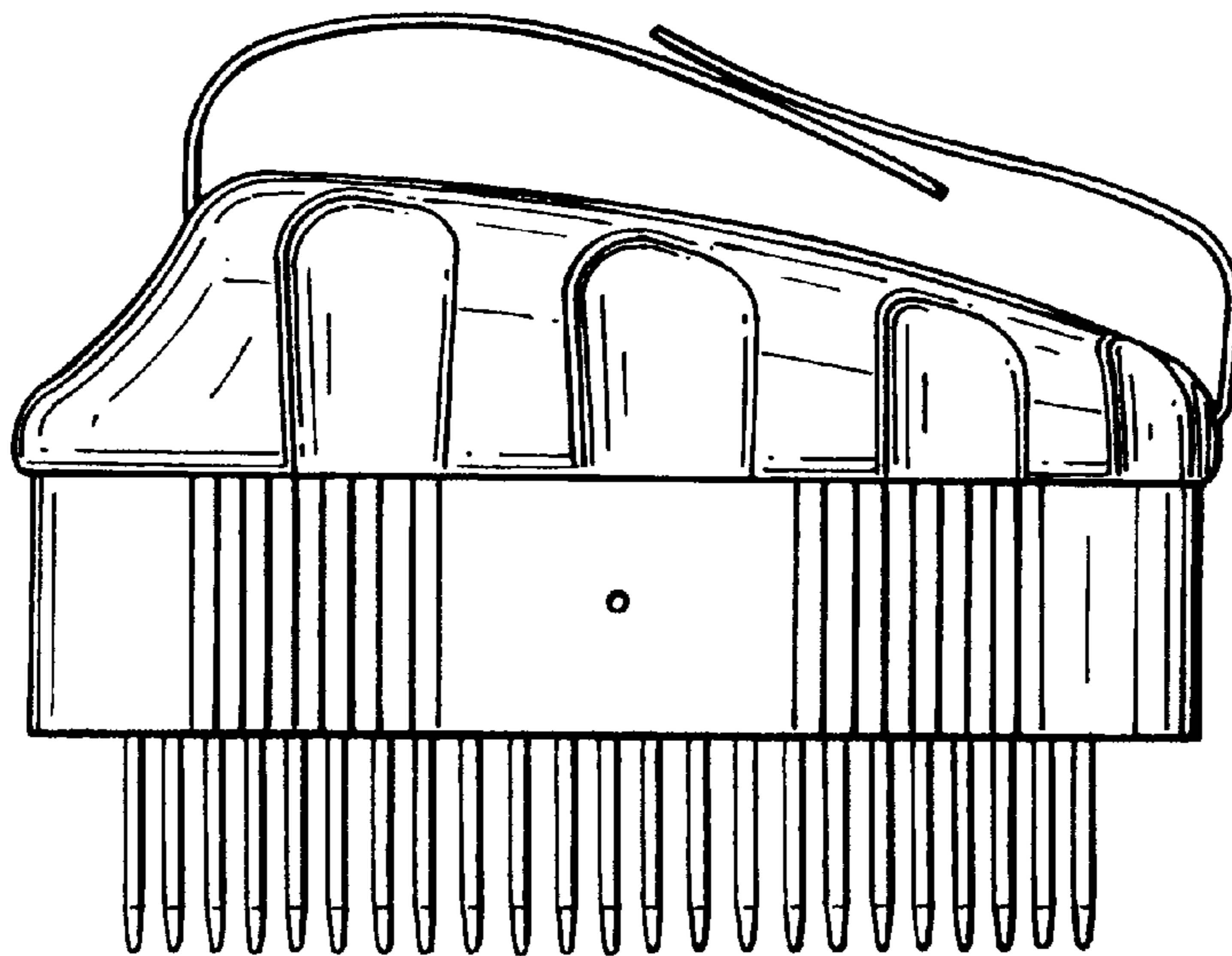


Fig. 3

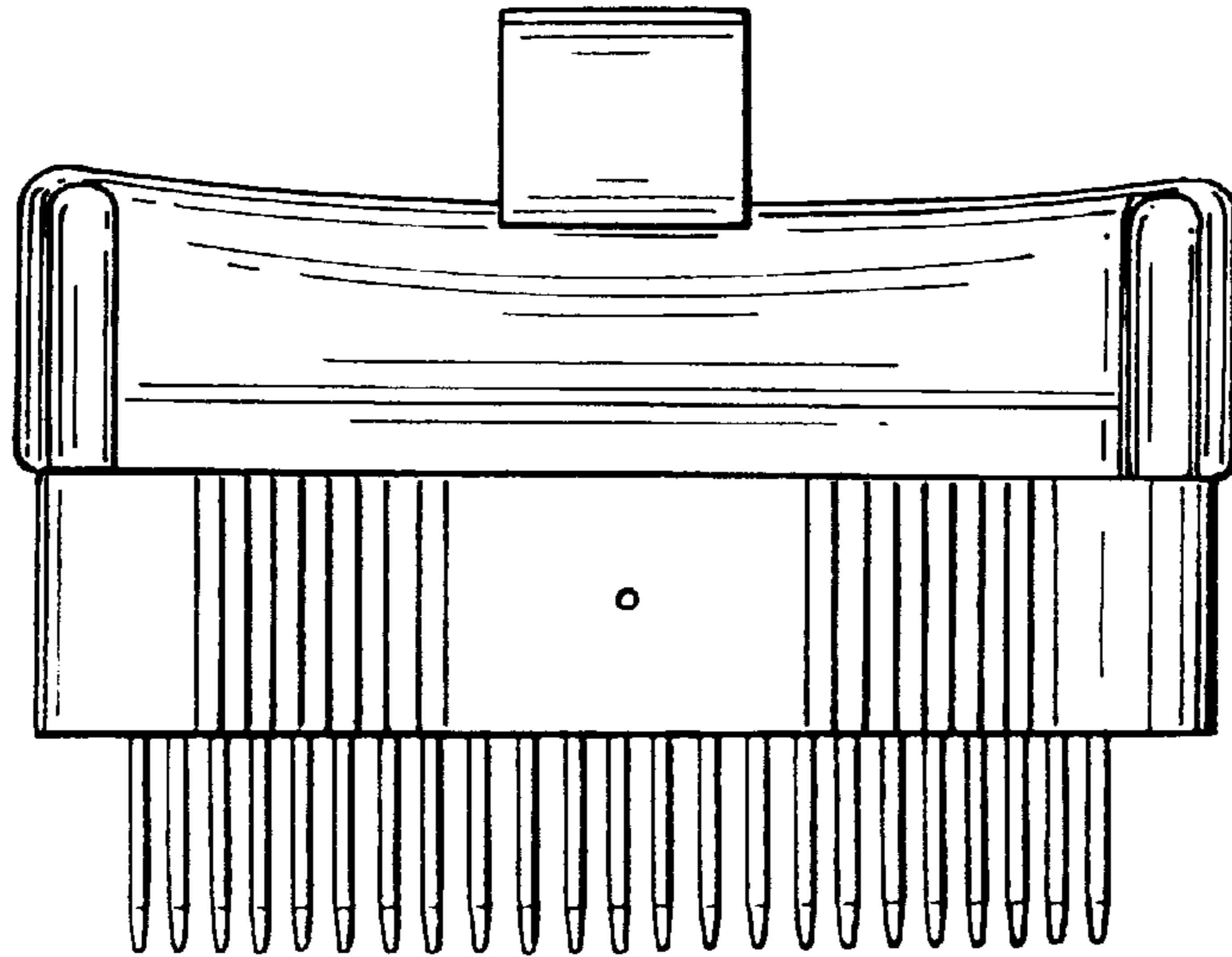


Fig. 4

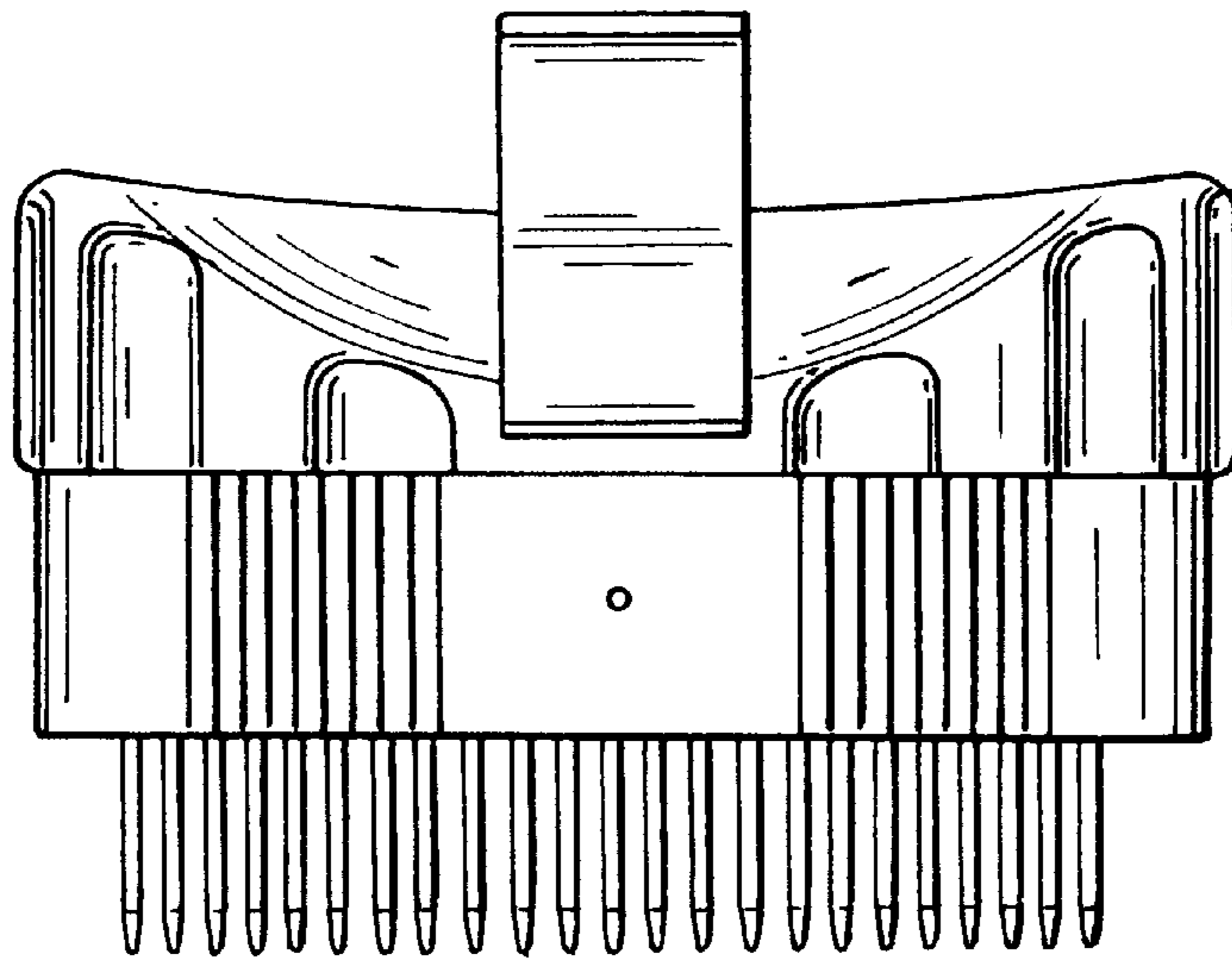


Fig. 5

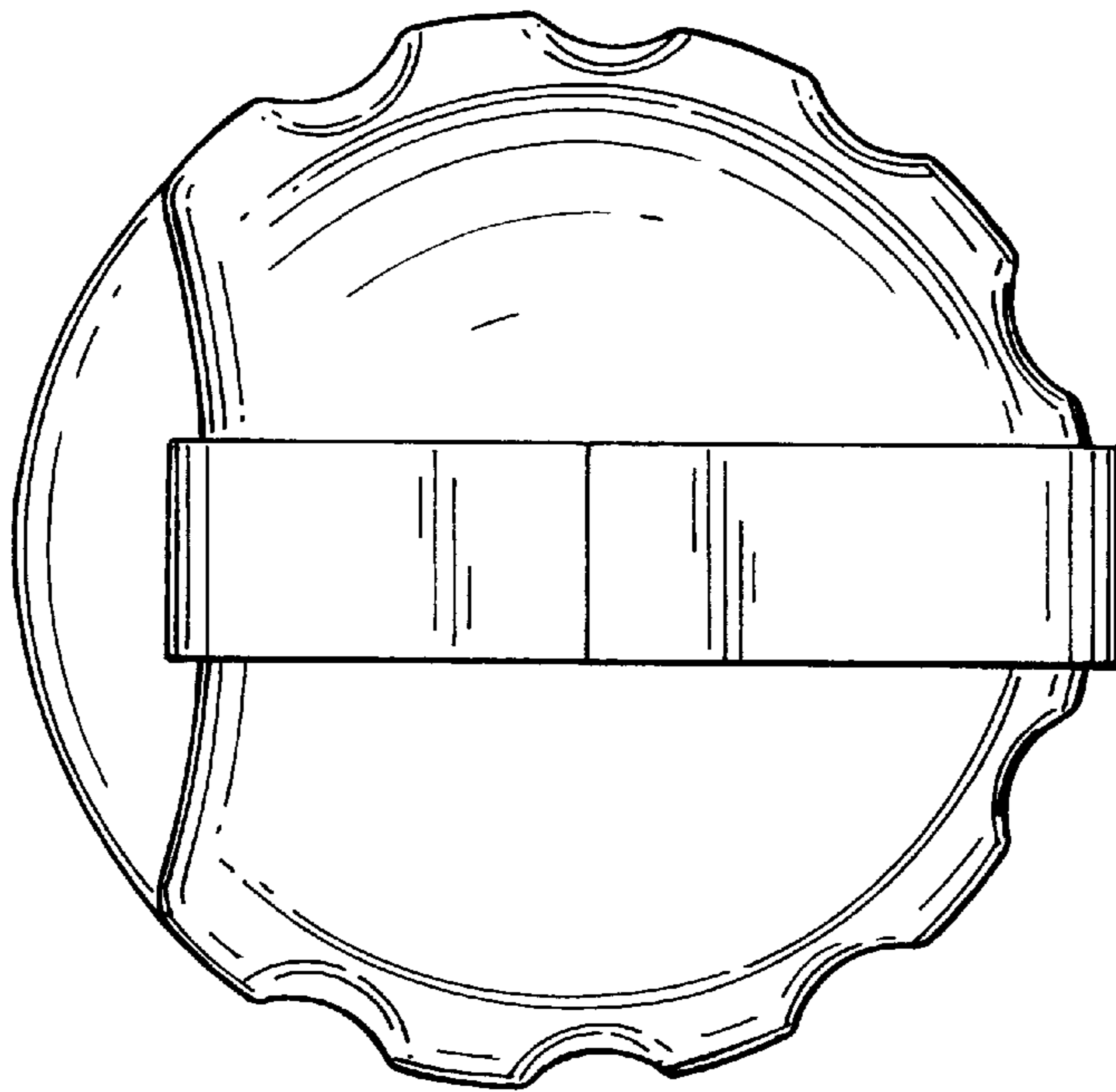


Fig. 6

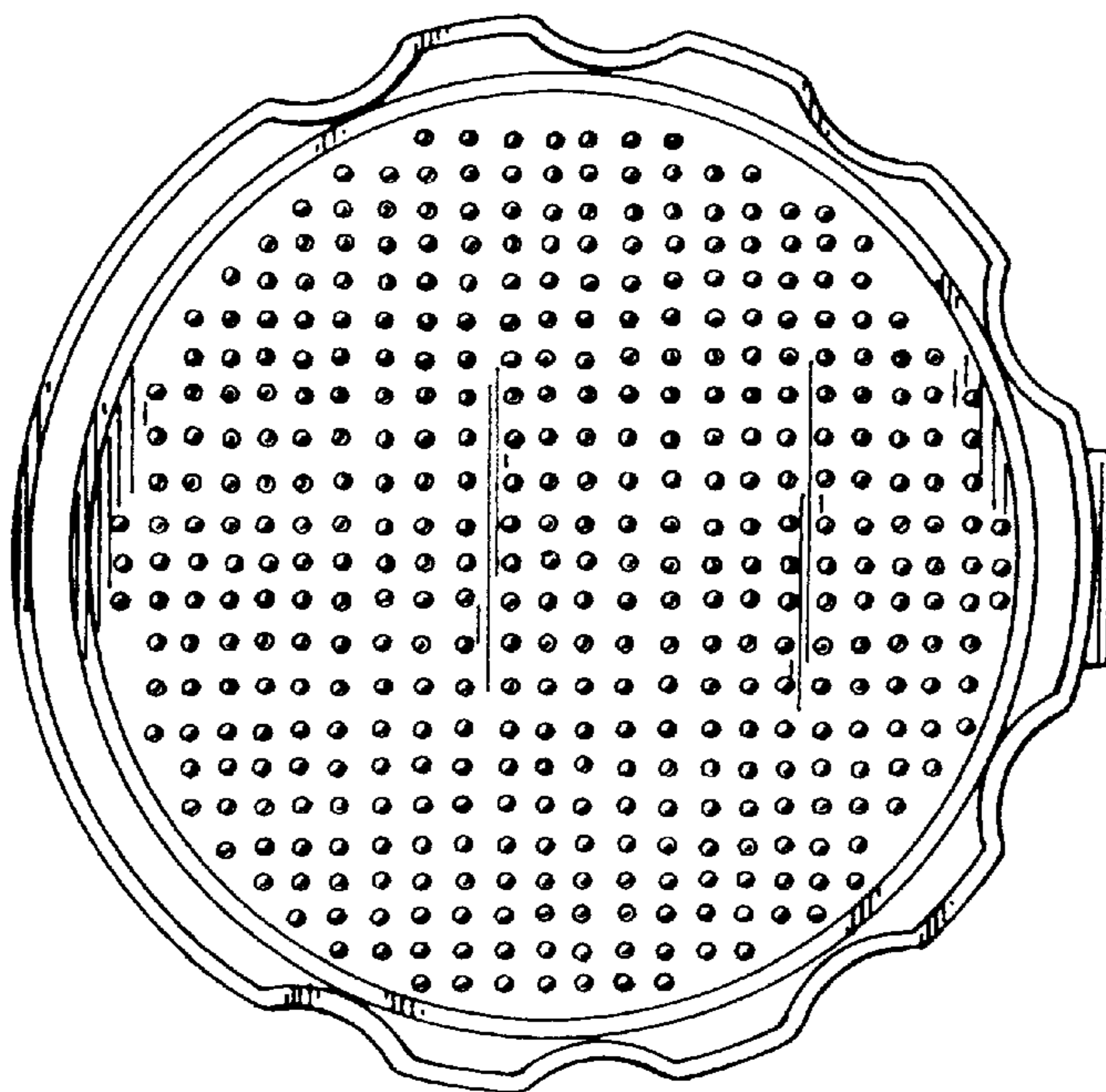


Fig. 7

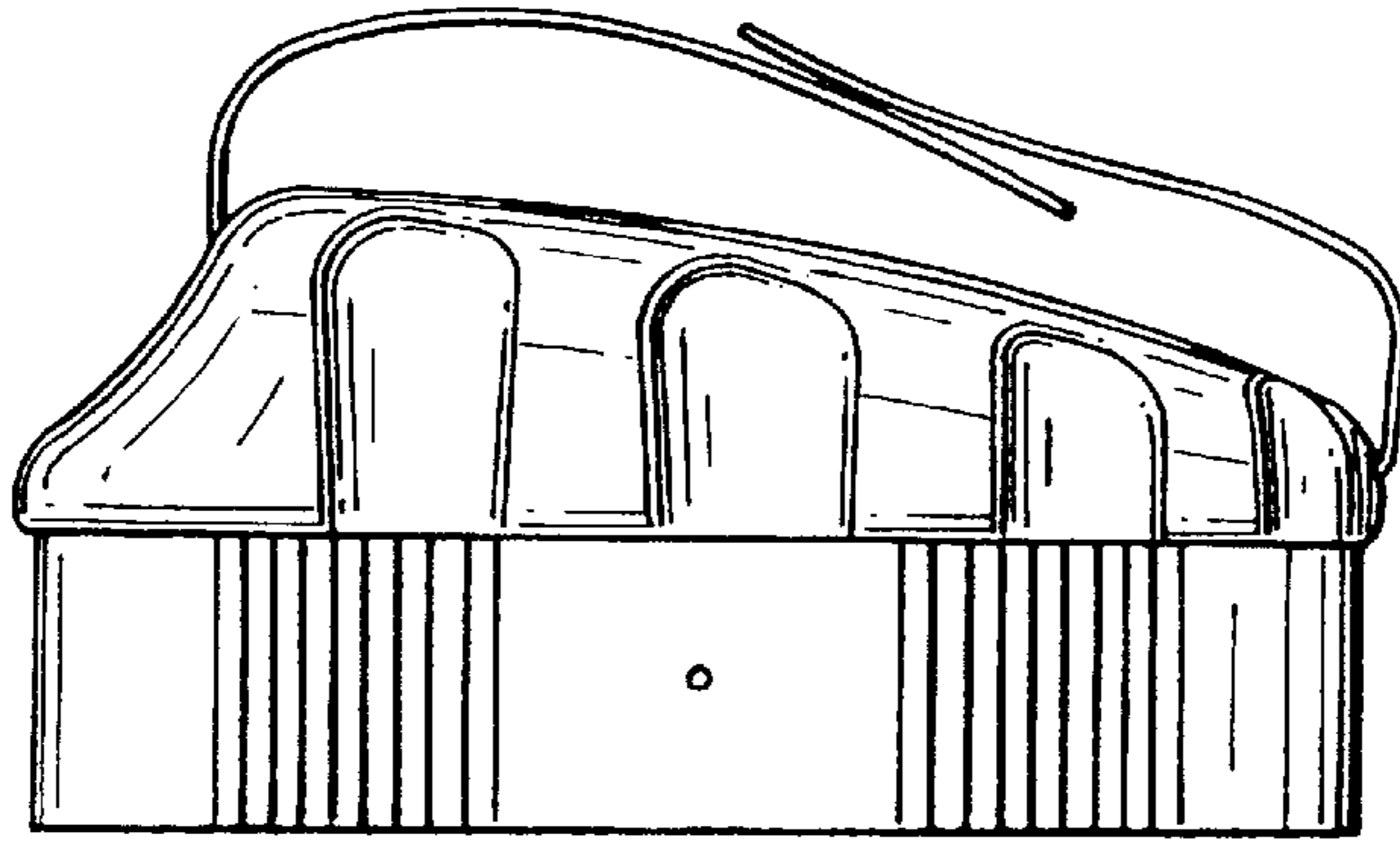


Fig. 8

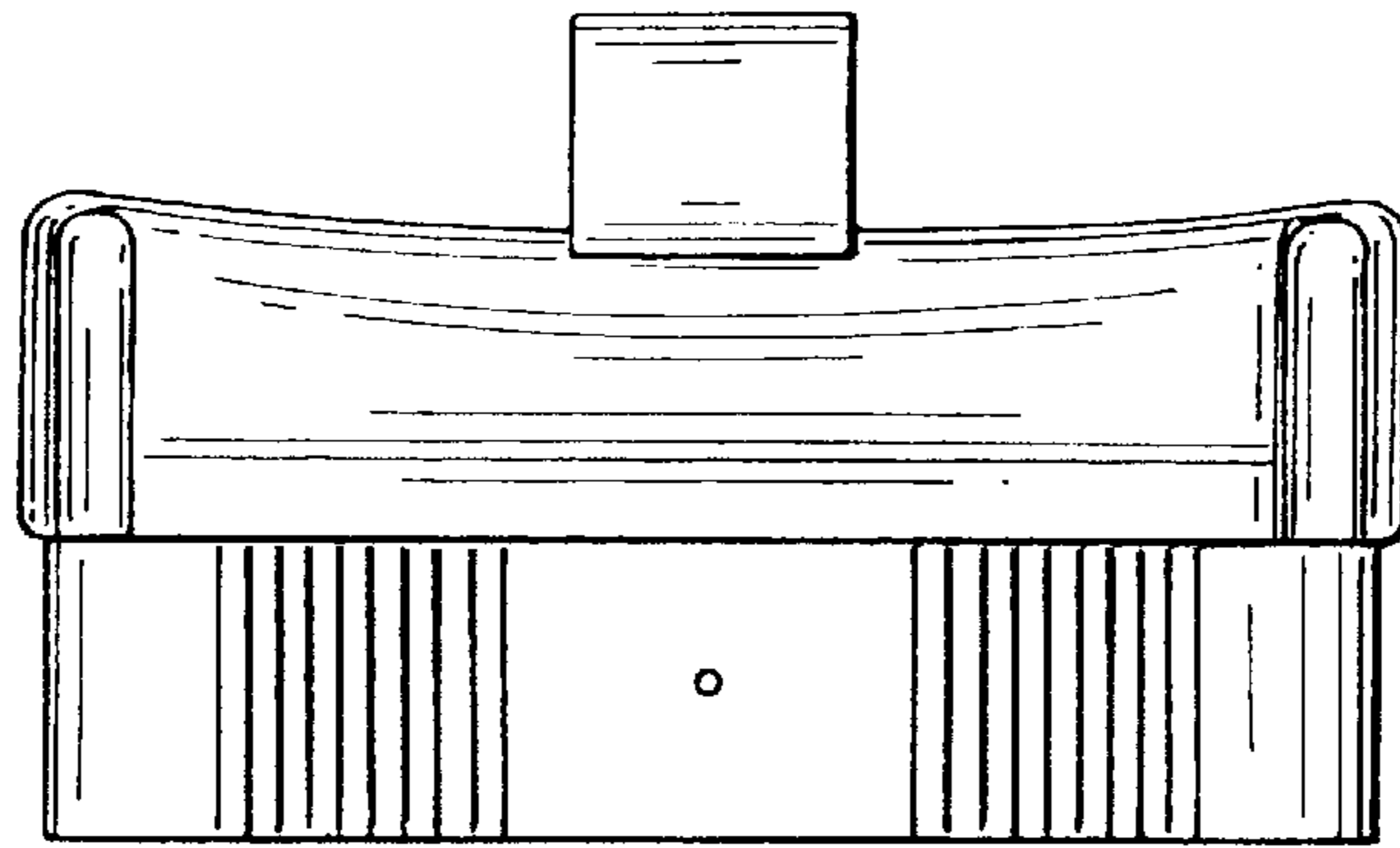


Fig. 9

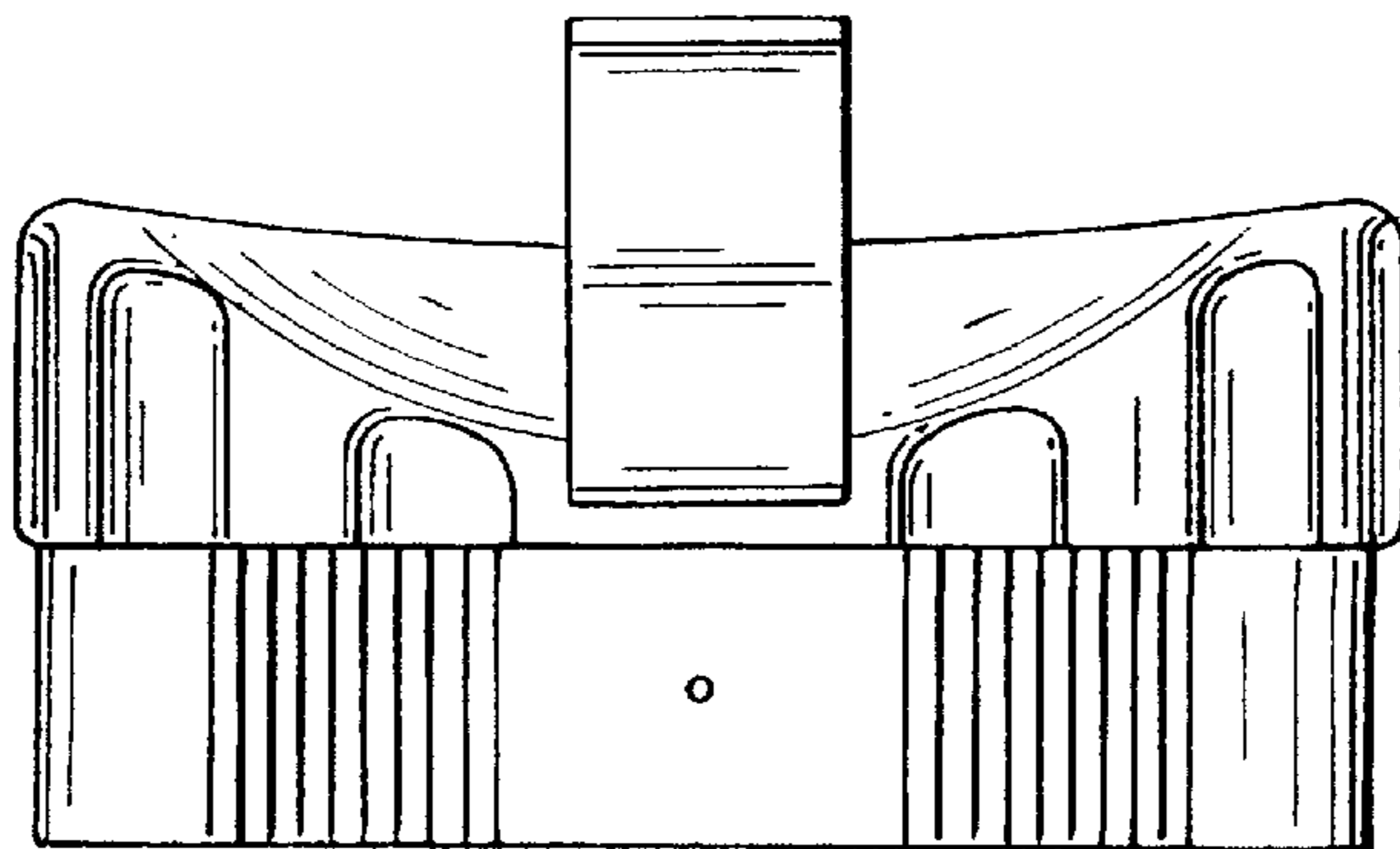


Fig. 10

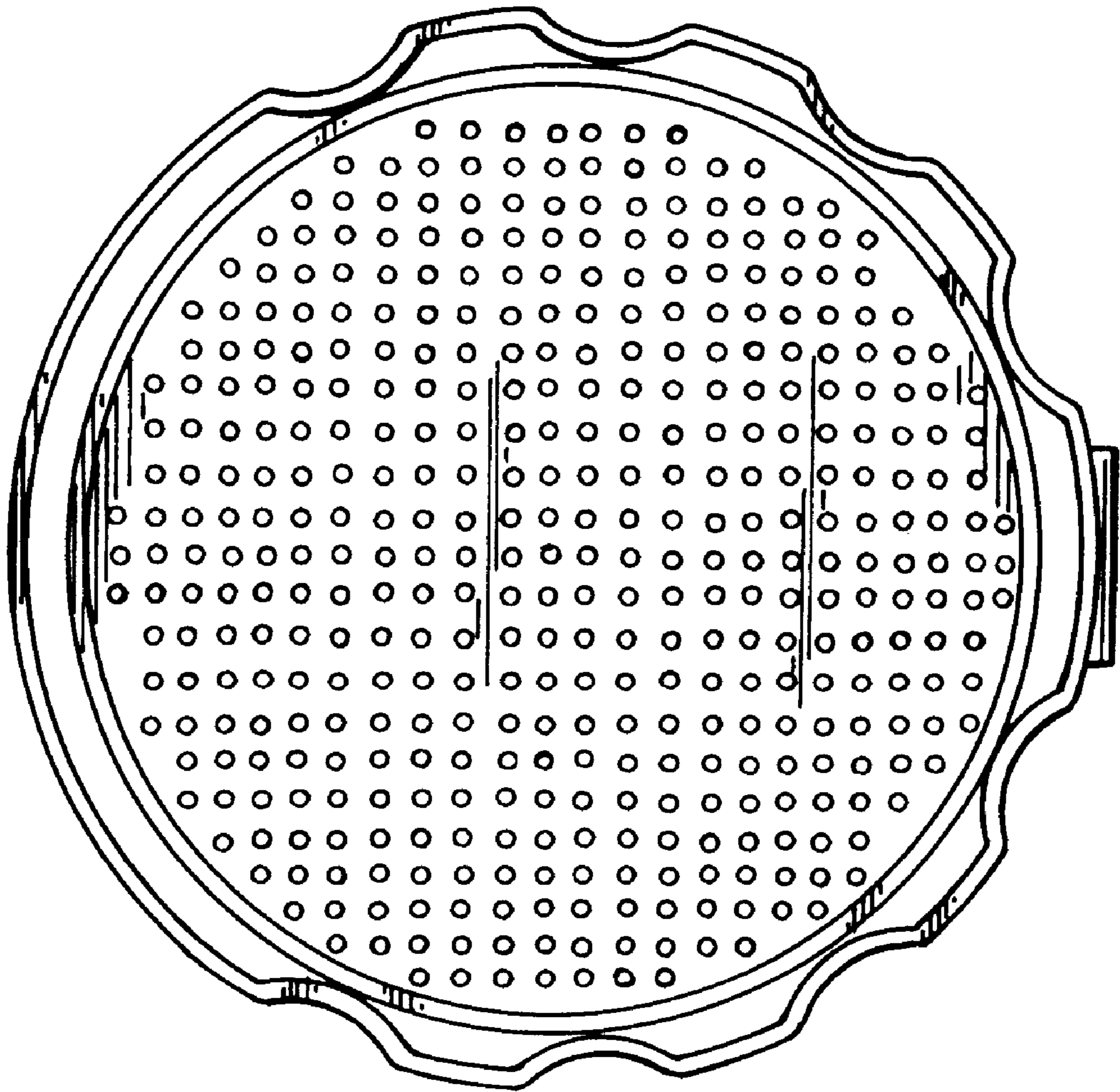


Fig. 11