



US00D425306S

# United States Patent [19]

[11] Patent Number: **Des. 425,306**

Beals et al.

[45] Date of Patent: **\*\* May 23, 2000**

## [54] SET OF BRISTLES FOR A TOOTHBRUSH

## FOREIGN PATENT DOCUMENTS

[75] Inventors: **Donna Beals**, Sunnyville, Calif.;  
**Michael Roberts**, Braintree, Mass.;  
**William Alan Bredall**, Pacifica;  
**Bradley Castillo**, San Ramon, both of  
Calif.

4010671 8/1990 Germany .  
WO95/06420 3/1995 WIPO .  
WO97/03587 2/1997 WIPO .

[73] Assignee: **Gillette Canada Inc.**, Kirkland, Canada

*Primary Examiner*—Alan P. Douglas  
*Assistant Examiner*—Lavone D. Tabor  
*Attorney, Agent, or Firm*—David A. Howley

[\*\*] Term: **14 Years**

## [57] CLAIM

[21] Appl. No.: **29/099,620**

The ornamental design for a set of bristles for a toothbrush,  
as shown and described.

[22] Filed: **Jan. 25, 1999**

## DESCRIPTION

[51] **LOC (7) Cl.** ..... **04-02**

[52] **U.S. Cl.** ..... **D4/104**

[58] **Field of Search** ..... D4/104-112, 130,  
D4/132-134; 15/110, 159.1, 160, 167.1,  
186, 187, 207.2, DIG. 5, DIG. 6; 601/139,  
141

FIG. 1 is perspective view as seen from the top, front and  
right side of a set of bristles for a toothbrush showing our  
new design (unclaimed environmental structure being  
shown in broken lines);

FIG. 2 is a top plan view thereof (unclaimed environmental  
structure being shown in broken lines);

FIG. 3 is a front elevational view thereof (unclaimed envi-  
ronmental structure being shown in broken lines);

FIG. 4 is a right side elevational view thereof where the left  
side view is a mirror image (unclaimed environmental  
structure being shown in broken lines); and,

FIG. 5 is a rear elevational view thereof (unclaimed envi-  
ronmental structure being shown in broken lines).

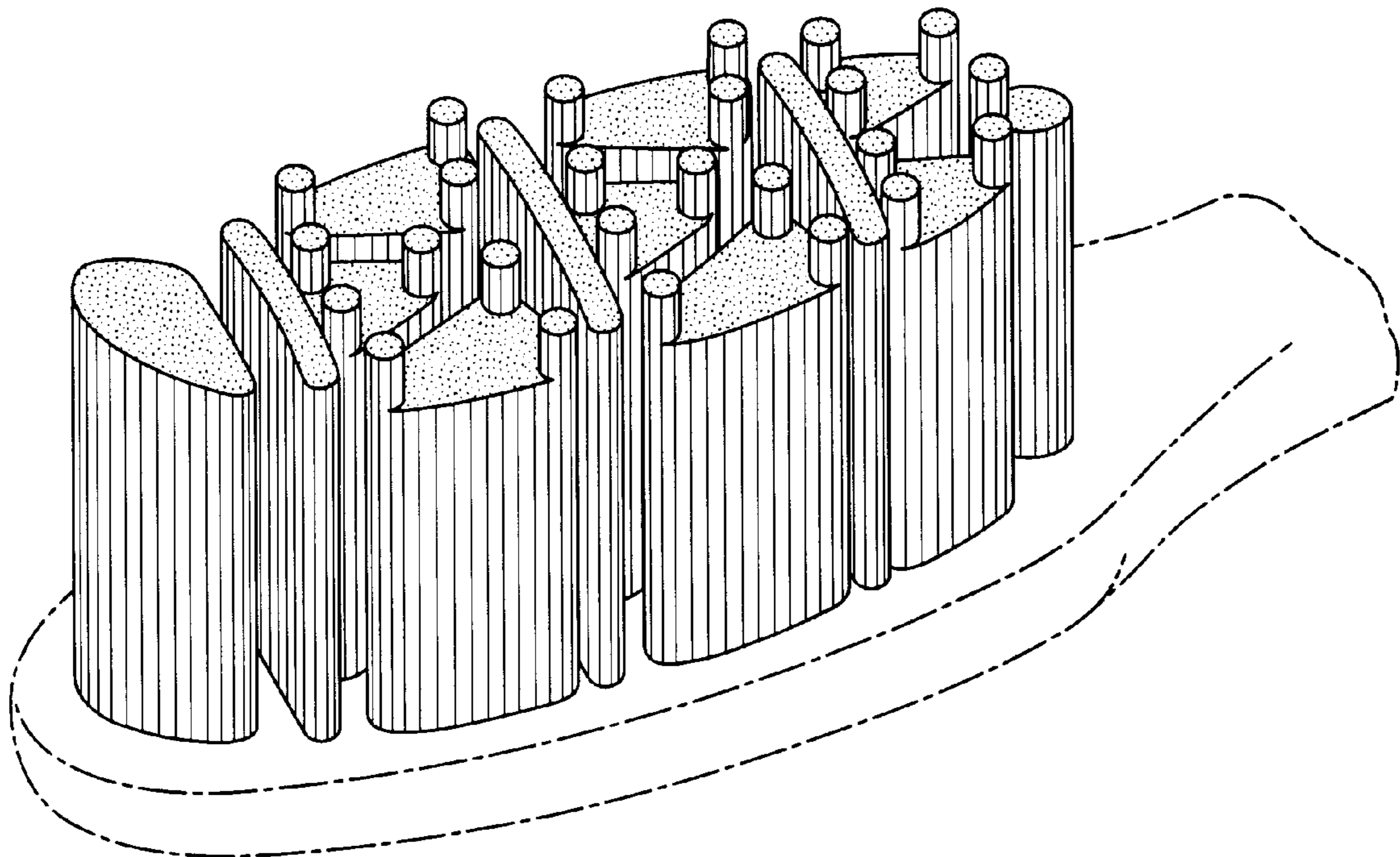
The broken lines showing the toothbrush head and neck  
structure are for illustrative purposes only and form no part  
of the claimed design.

## [56] References Cited

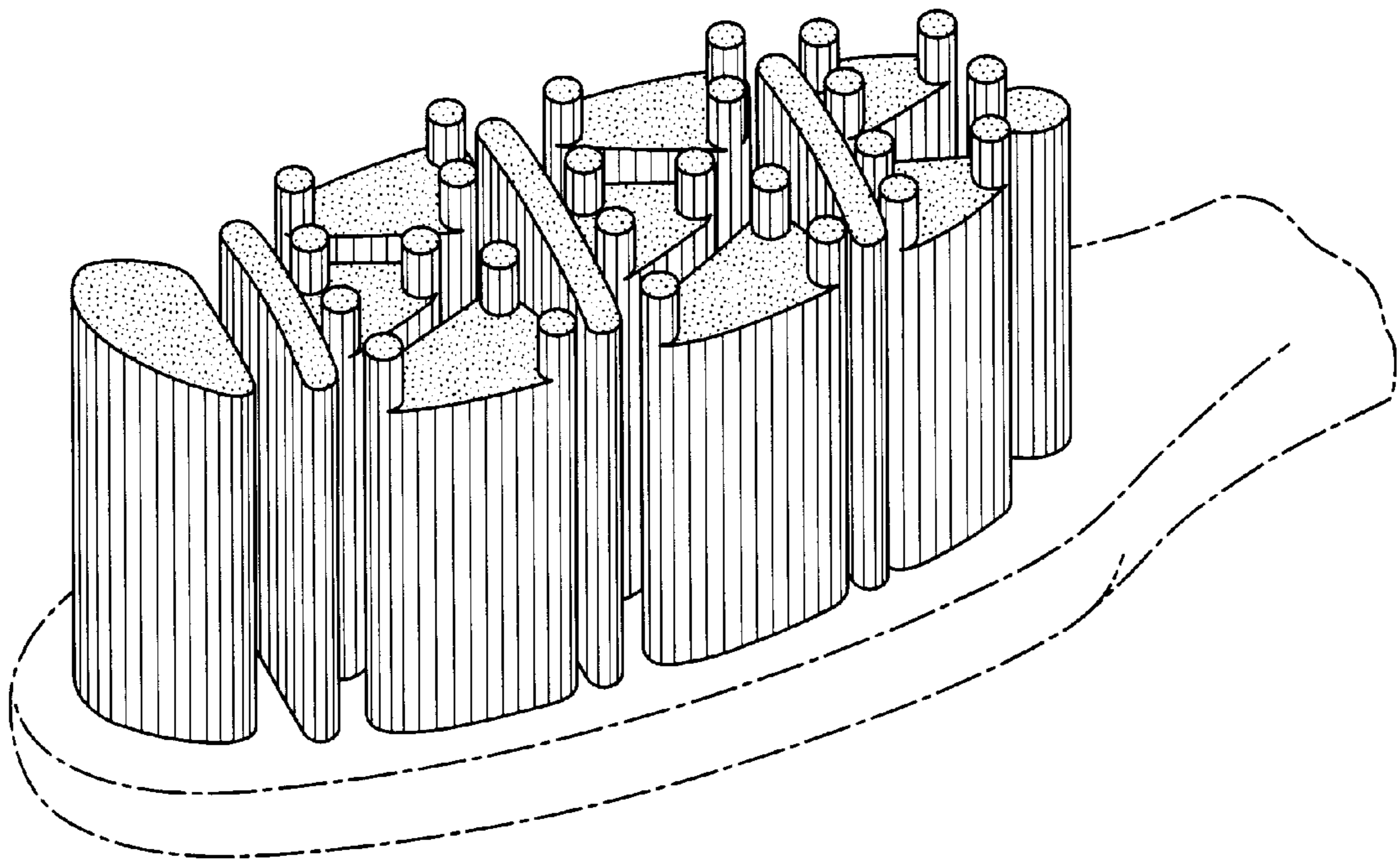
### U.S. PATENT DOCUMENTS

D. 402,116	12/1998	Magloff et al. ....	D4/104
3,103,679	9/1963	Clemens .....	15/167.1
4,724,569	2/1988	Eguchi et al. ....	15/167.1
5,535,474	7/1996	Salazar .....	15/110
5,628,082	5/1997	Moskovich .....	15/110
5,802,656	9/1998	Dawson et al. ....	15/110
5,926,897	7/1999	Volpenhein .....	15/167.1

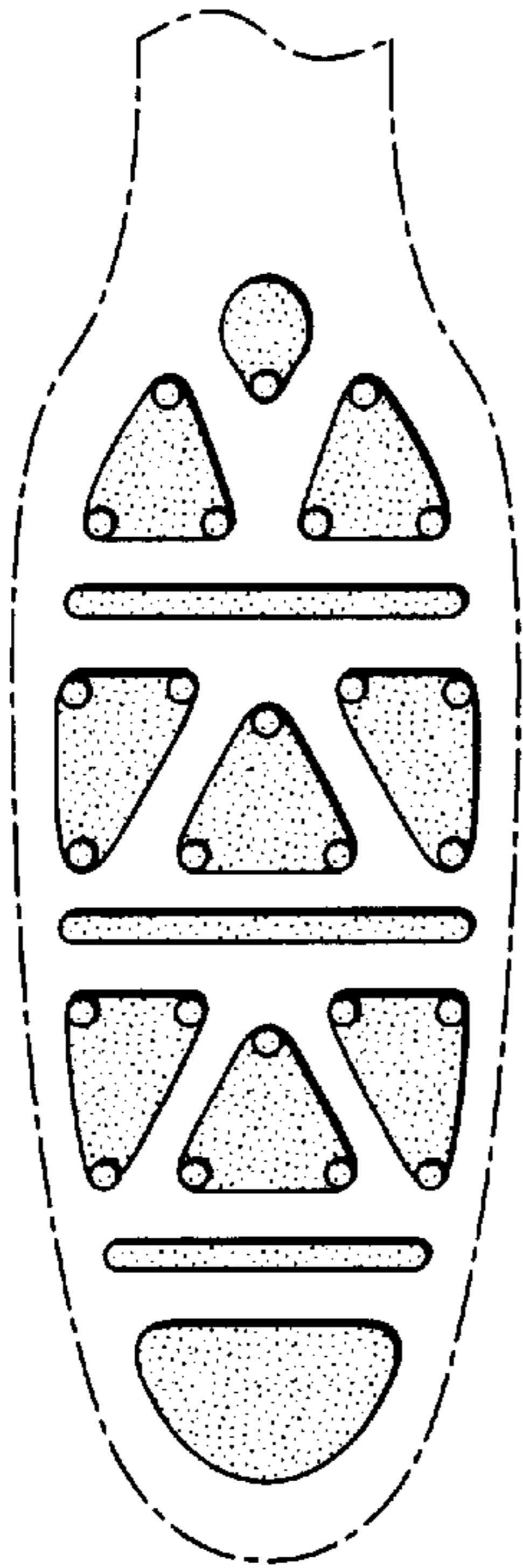
**1 Claim, 2 Drawing Sheets**



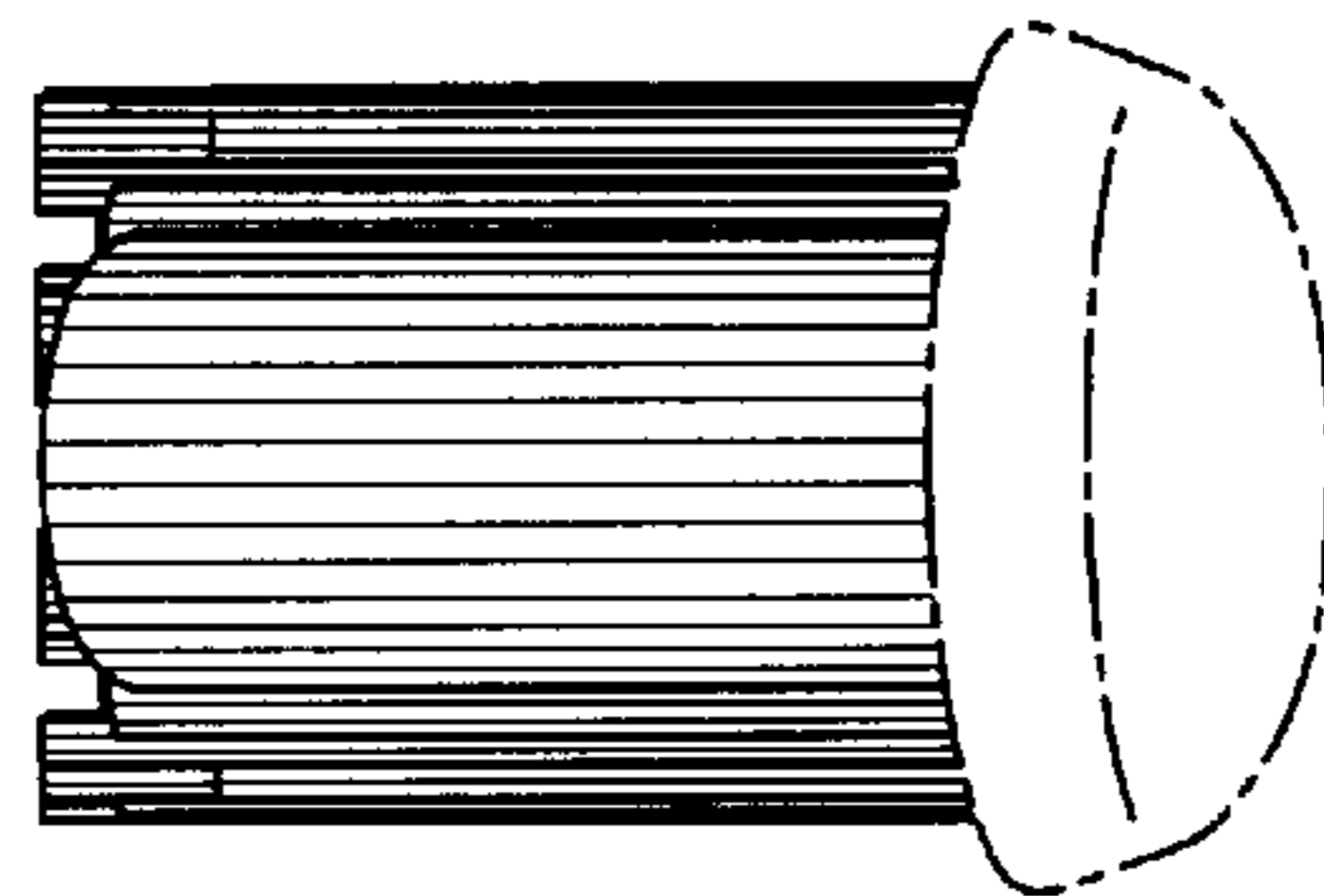
**FIG. 1**



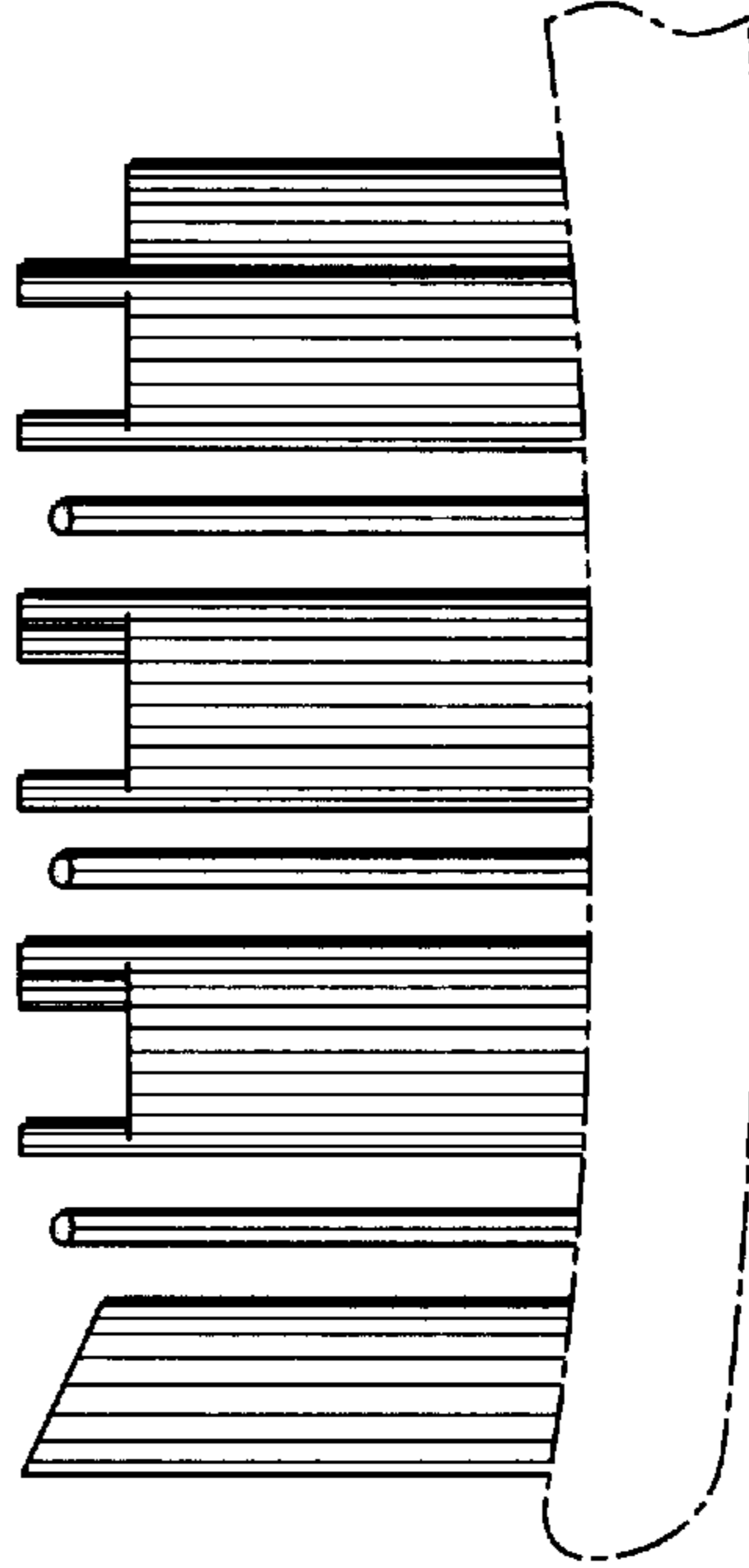
**FIG. 2**



**FIG. 3**



**FIG. 4**



**FIG. 5**

