



US00D425304S

# United States Patent [19]

[11] **Patent Number: Des. 425,304**

**Yacobi et al.**

[45] **Date of Patent: \*\* May 23, 2000**

[54] <b>TOOL HOLDER</b>	5,013,055	5/1991	Labrum .....	280/47.19
	5,378,005	1/1995	Norton .....	280/47.26
[75] Inventors: <b>Michael S. Yacobi, Powell; Thomas Parker, Columbus; Steven Courtney, Powell, all of Ohio</b>	5,704,496	1/1998	Latta .	
	5,799,958	9/1998	Bishop .....	280/47.26
	5,906,381	5/1999	Hovatter .....	280/47.18

[73] Assignee: **Uniontools, Columbus, Ohio**

[\*\*] Term: **14 Years**

*Primary Examiner*—Louis S. Zarfes  
*Assistant Examiner*—Catherine R. Oliver  
*Attorney, Agent, or Firm*—Finnegan, Henderson, Farabow, Garrett & Dunner

[21] Appl. No.: **29/100,022**

### [57] CLAIM

[22] Filed: **Feb. 2, 1999**

The ornamental design for a tool holder, as shown and described.

[51] **LOC (7) Cl. .... 03-01**

### DESCRIPTION

[52] **U.S. Cl. .... D3/315; D3/905**

[58] **Field of Search** ..... D3/315, 905; D34/12, D34/23; 242/403.1, 594.4; 182/16; 280/47.17, 47.18, 47.19, 47.27, 641, 47.26, 47.28, 47.35, 651, 652, 655

FIG. 1 is perspective view of a tool holder in accordance with the present invention;

FIG. 2 is a top view of the tool holder of the present invention;

FIG. 3 is a bottom view of the tool holder of the present invention;

FIG. 4 is a side elevational view of the tool holder of the present invention, the opposite side being a mirror image thereof.

FIG. 5 is a front view of the tool holder of the present invention; and,

FIG. 6 is a rear view of the tool holder of the present invention.

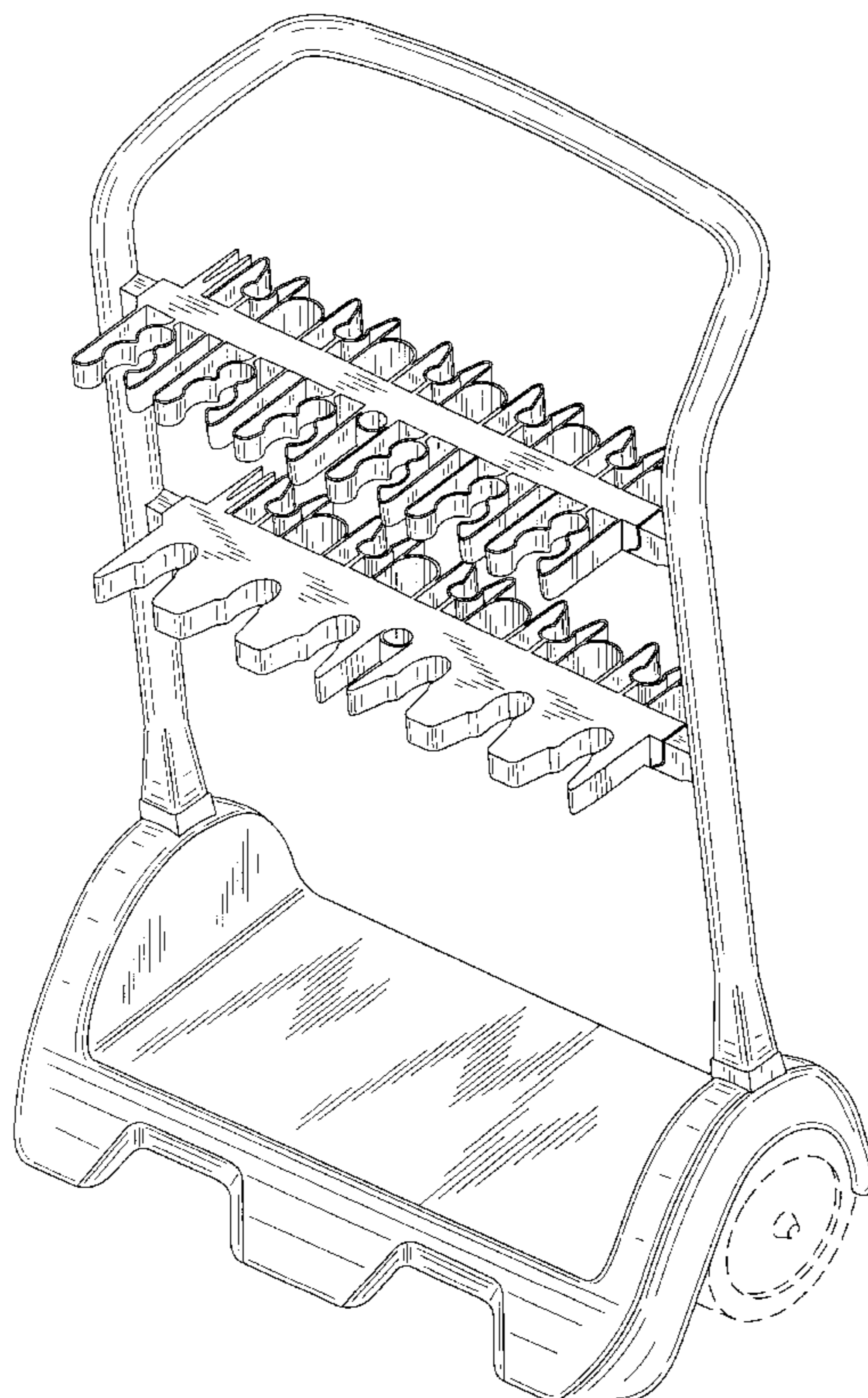
The broken line showing of environment is for illustrative purposes only and forms no part of the claimed design.

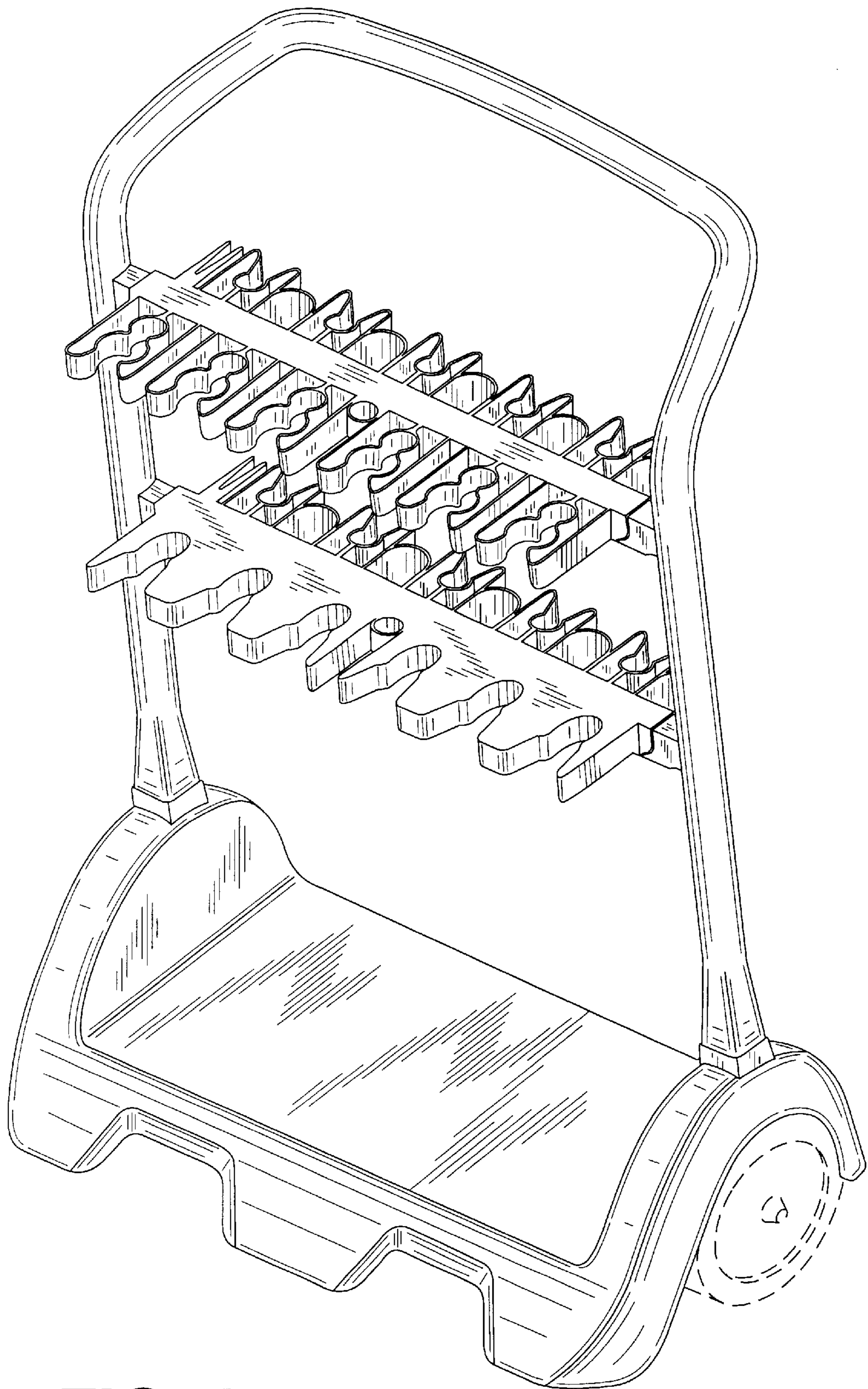
### [56] References Cited

#### U.S. PATENT DOCUMENTS

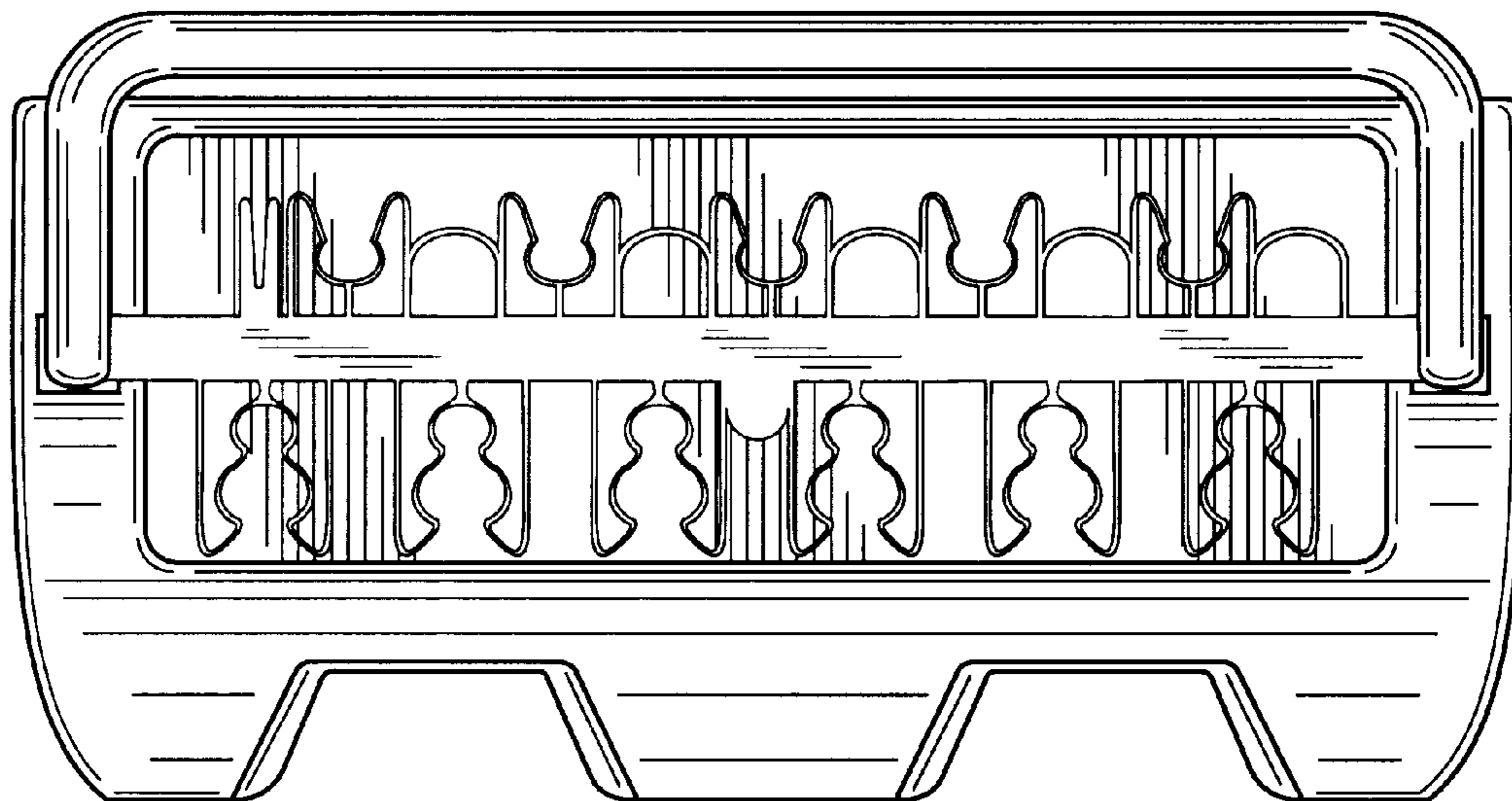
2,181,438	11/1939	Peet .	
2,596,749	5/1952	Webber .	
2,676,710	4/1954	Williamson .	
2,835,503	5/1958	Humphries et al. .	
3,154,314	10/1964	McCone, Jr. ....	280/47.19
3,869,137	3/1975	Byrom .	
3,894,748	7/1975	Ratcliff .	
4,126,327	11/1978	Taber .	
4,134,499	1/1979	Joswig .	
4,743,040	5/1988	Breveglieri et al. .	
4,923,202	5/1990	Breveglieri et al. .	

**1 Claim, 5 Drawing Sheets**

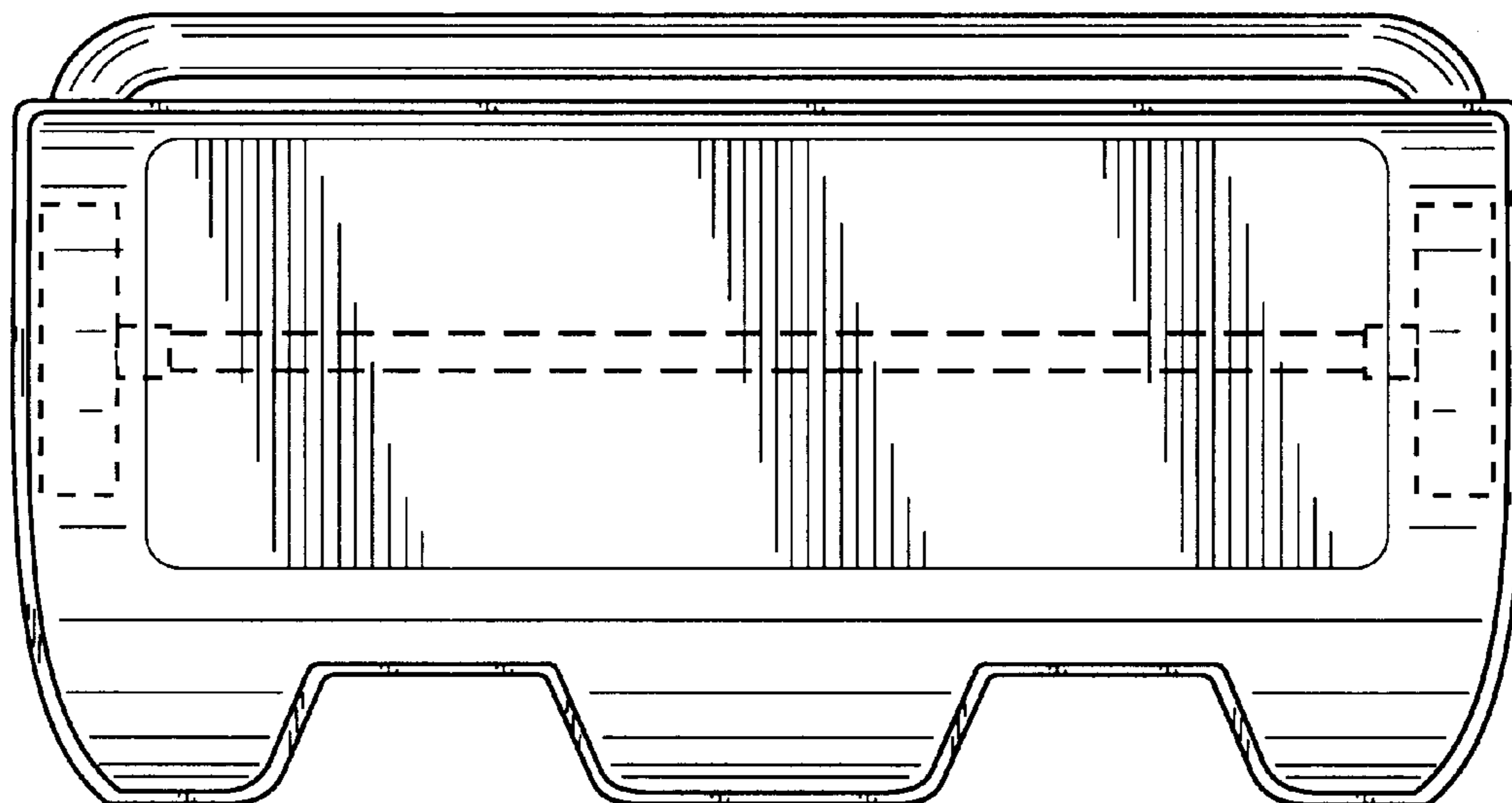




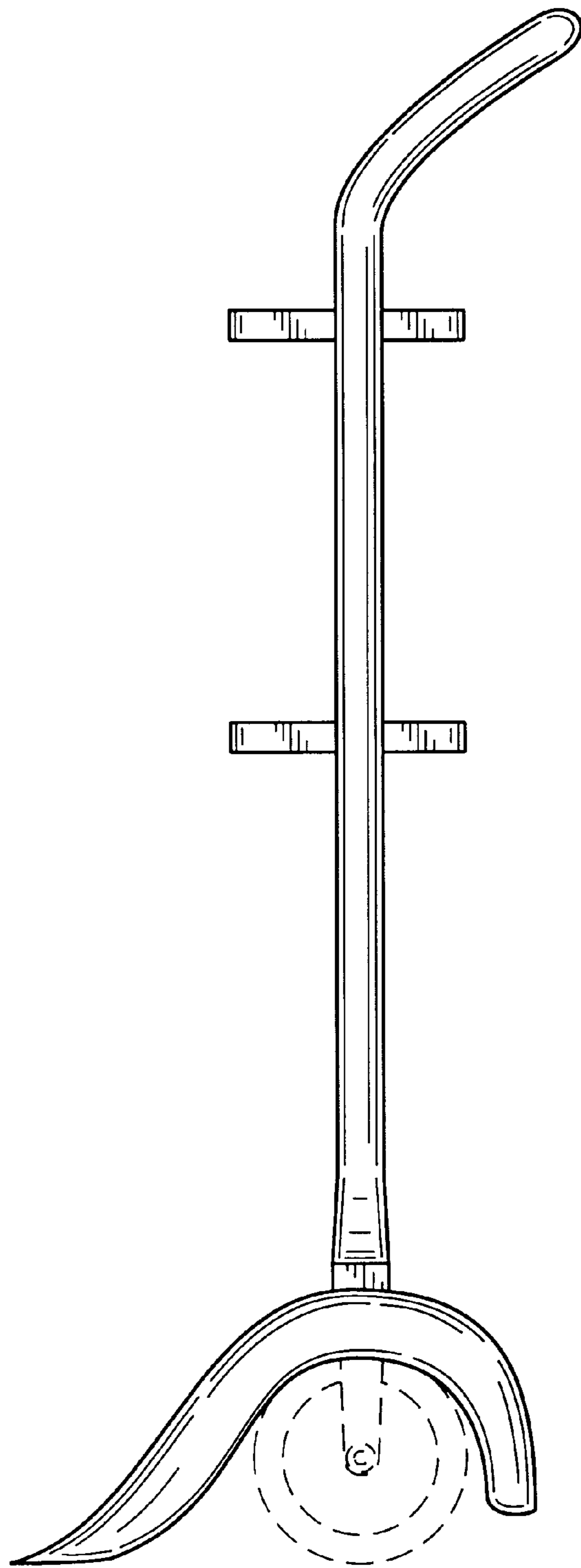
**FIG. 1**



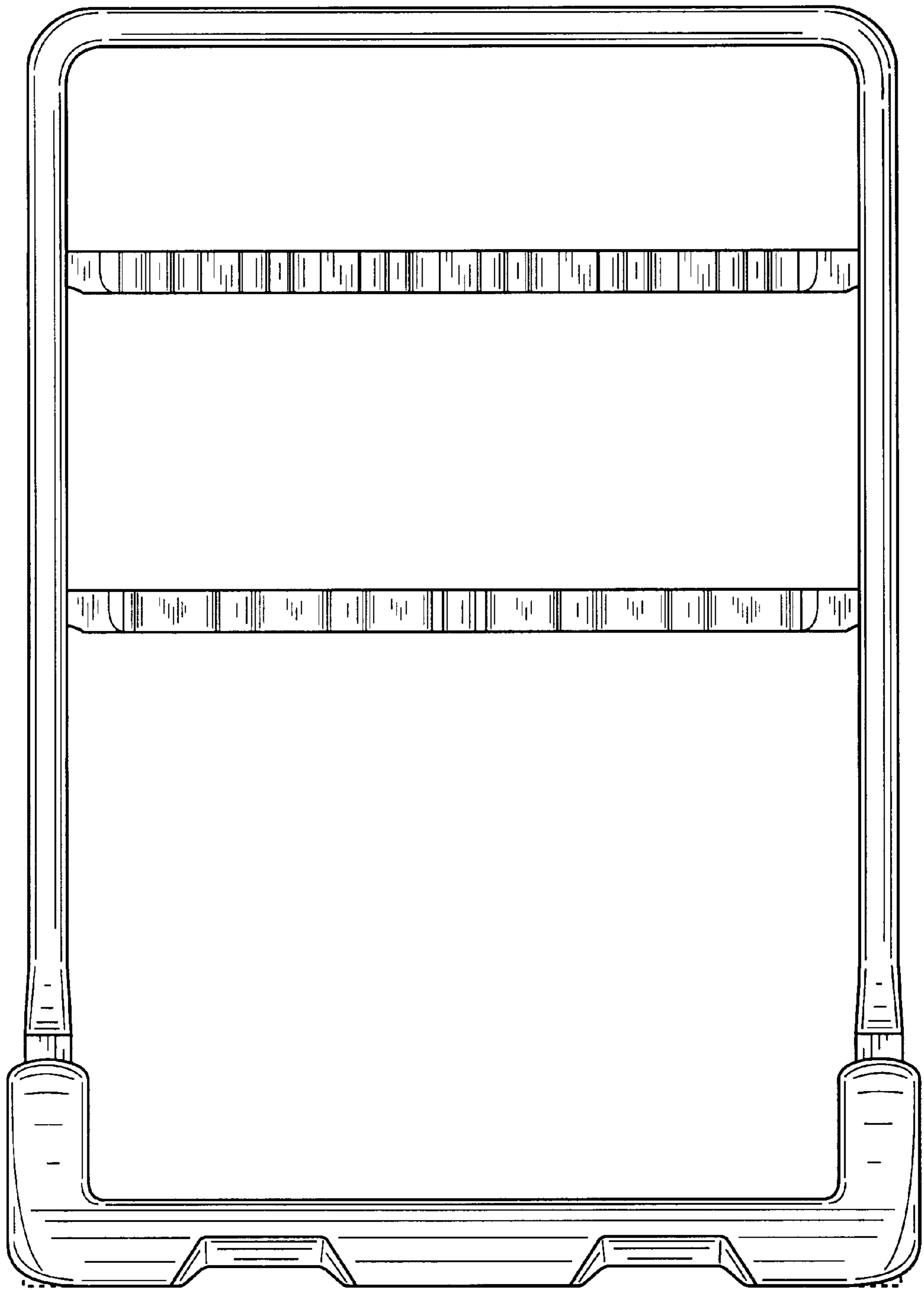
**FIG. 2**



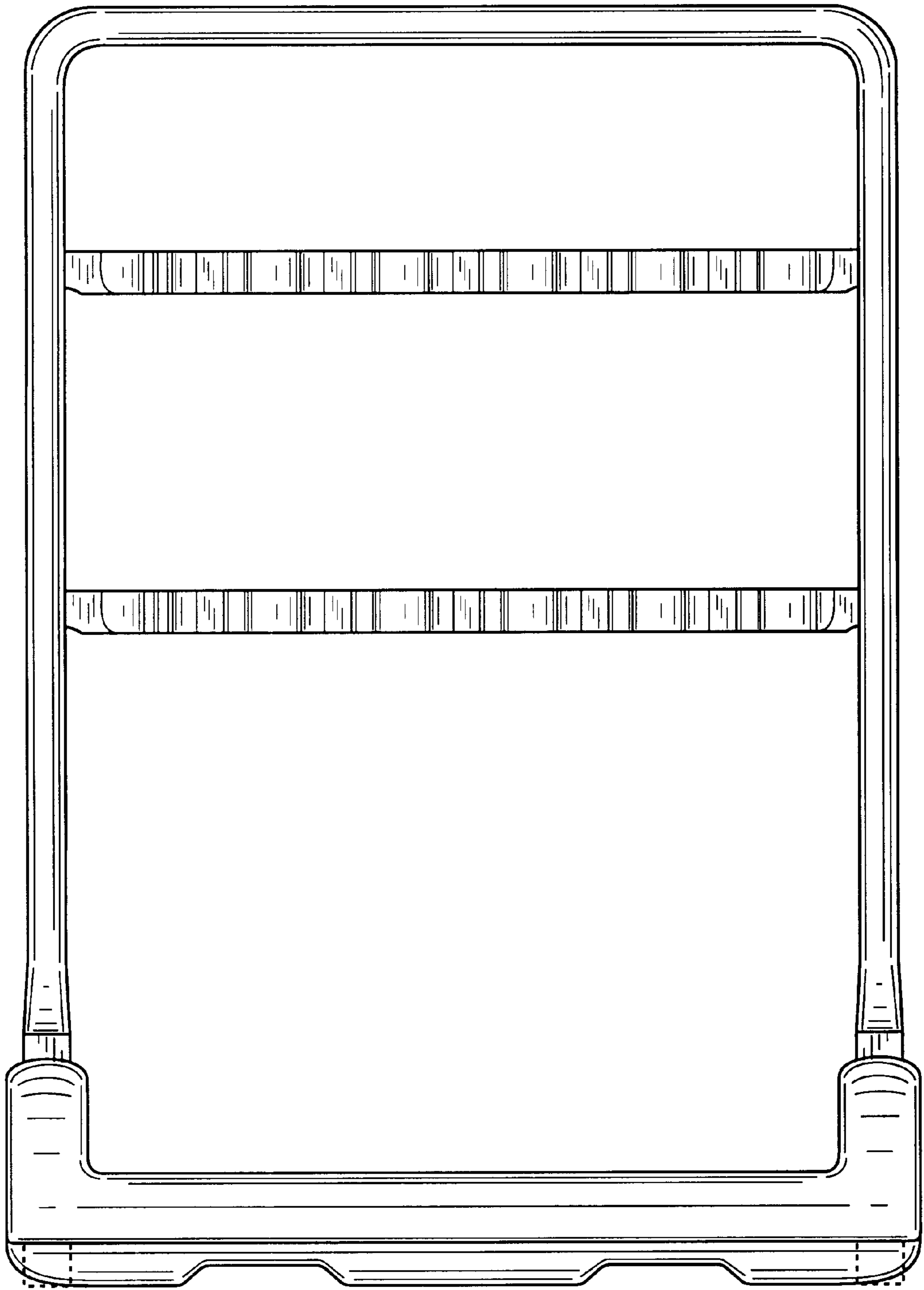
**FIG. 3**



**FIG. 4**



**FIG 5**



**FIG. 6**