



US00D425297S

# United States Patent [19]

Joseph et al.

[11] Patent Number: **Des. 425,297**

[45] Date of Patent: **\*\* May 23, 2000**

[54] **CELLULAR PHONE CASE**

[76] Inventors: **Christopher Joseph**, 50632 Duke Rd., East Liverpool, Ohio 43920; **Stephen W. Price**, 11357 S.R. 170, Negley, Ohio 44441

[\*\*] Term: **14 Years**

[21] Appl. No.: **29/106,251**

[22] Filed: **Jun. 14, 1999**

[51] **LOC (7) Cl.** ..... **03-01**

[52] **U.S. Cl.** ..... **D3/218**

[58] **Field of Search** ..... D3/218, 215, 201, D3/203, 204, 205, 273, 282, 283, 284; 224/901, 904, 240, 241; D14/138, 250, 251; 206/373-376; 220/528, 334-338; 379/455

[56] **References Cited**

**U.S. PATENT DOCUMENTS**

- D. 205,878 9/1966 Buhrendorf ..... D3/282
- D. 320,991 10/1991 Nagai et al. .... D14/251

- D. 368,582 4/1996 King et al. .... D3/218
- D. 369,901 5/1996 Laube ..... D3/205
- D. 374,980 10/1996 Moya et al. .... D3/218
- D. 379,262 5/1997 Seigel ..... D3/218
- D. 381,664 7/1997 Williams et al. .... D14/251

*Primary Examiner*—Louis S. Zarfaz  
*Assistant Examiner*—Catherine R. Oliver  
*Attorney, Agent, or Firm*—Harpman & Harpman

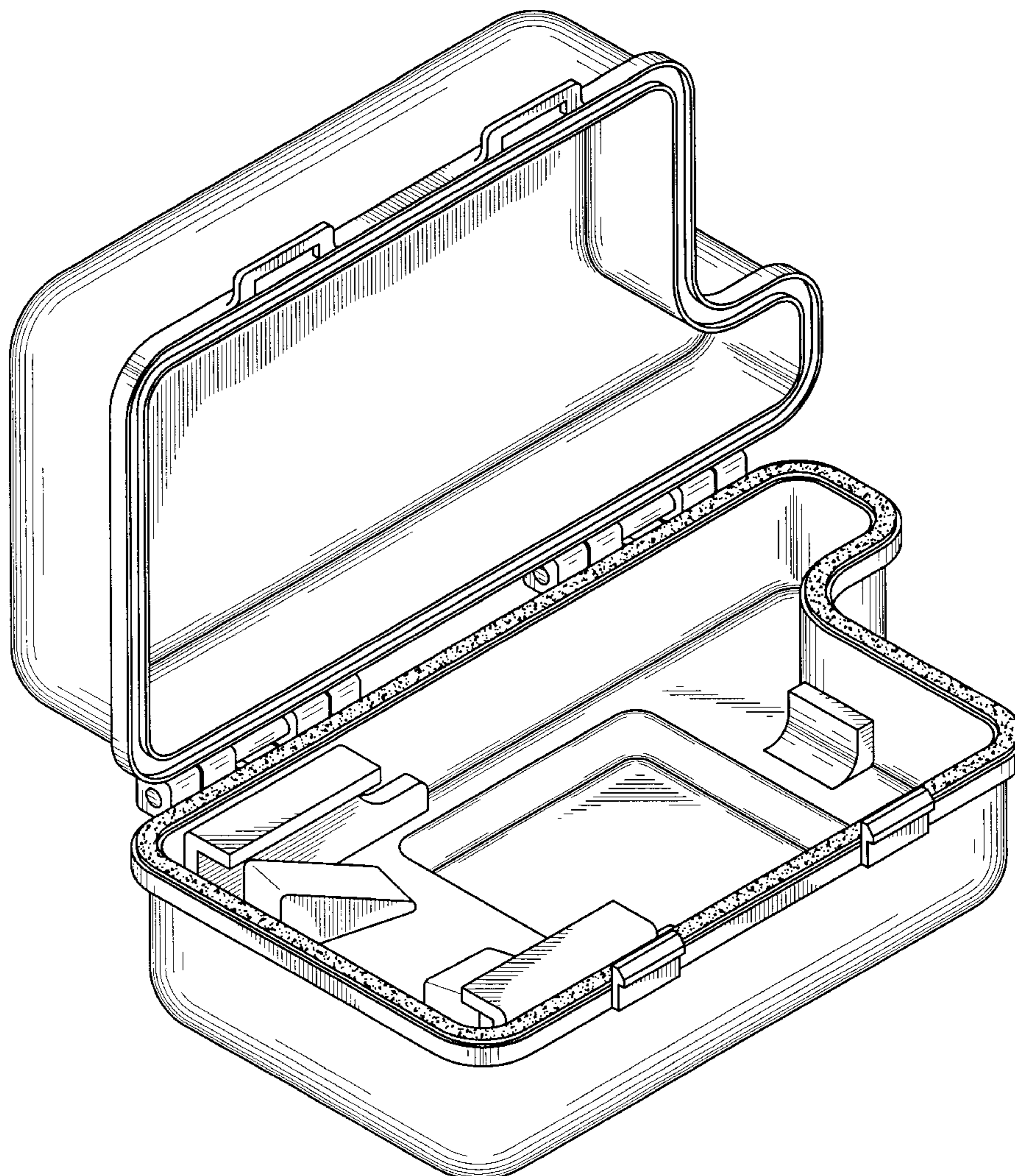
[57] **CLAIM**

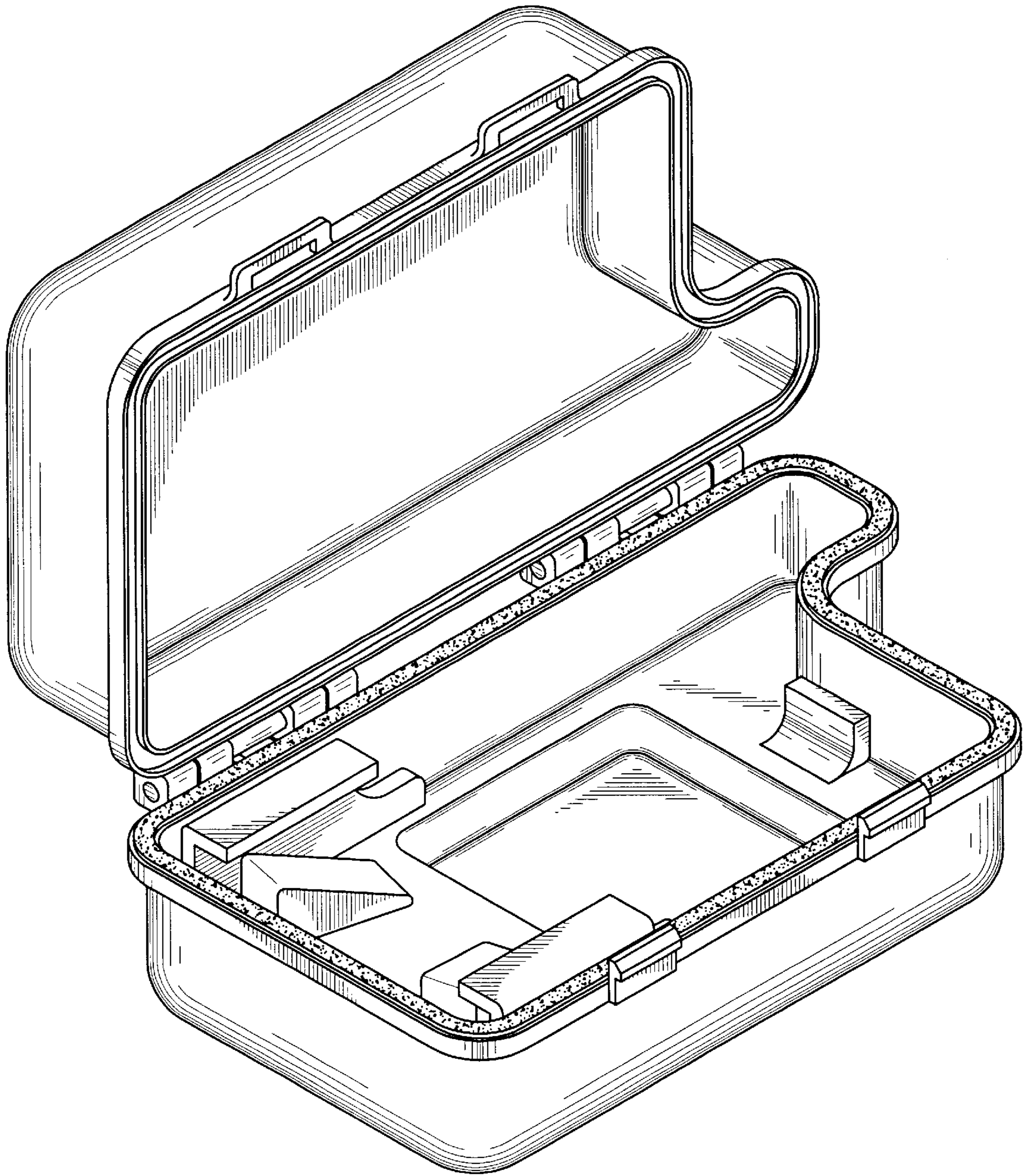
The ornamental design for a cellular phone case, as shown and described.

**DESCRIPTION**

FIG. 1 is a perspective view of the cellular phone case; FIG. 2 is a right side elevational view thereof; FIG. 3 is a left side elevational view thereof; FIG. 4 is a front elevational view thereof; FIG. 5 is a rear elevational view thereof; FIG. 6 is a top plan view thereof; and, FIG. 7 is a bottom plan view thereof.

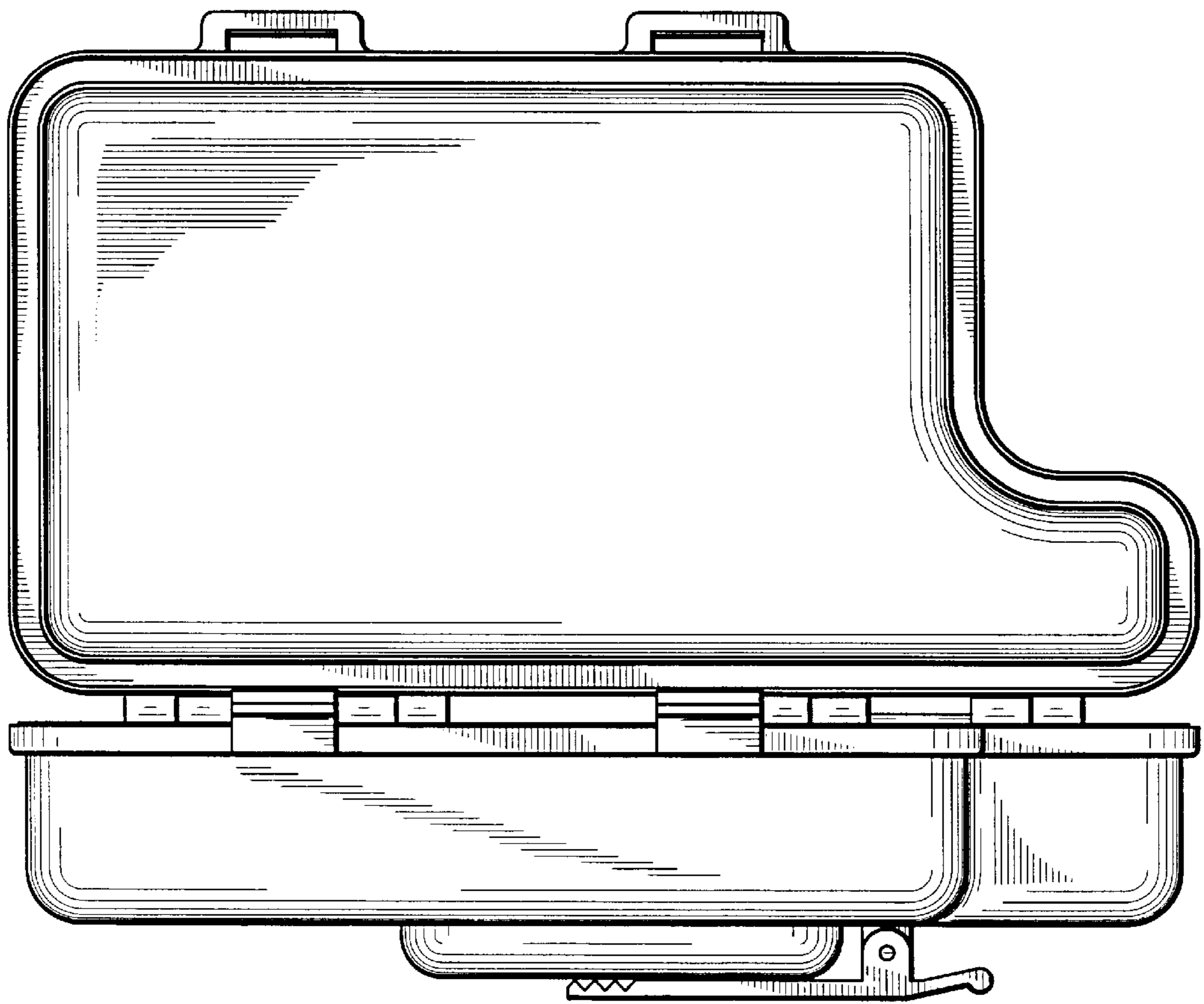
**1 Claim, 6 Drawing Sheets**



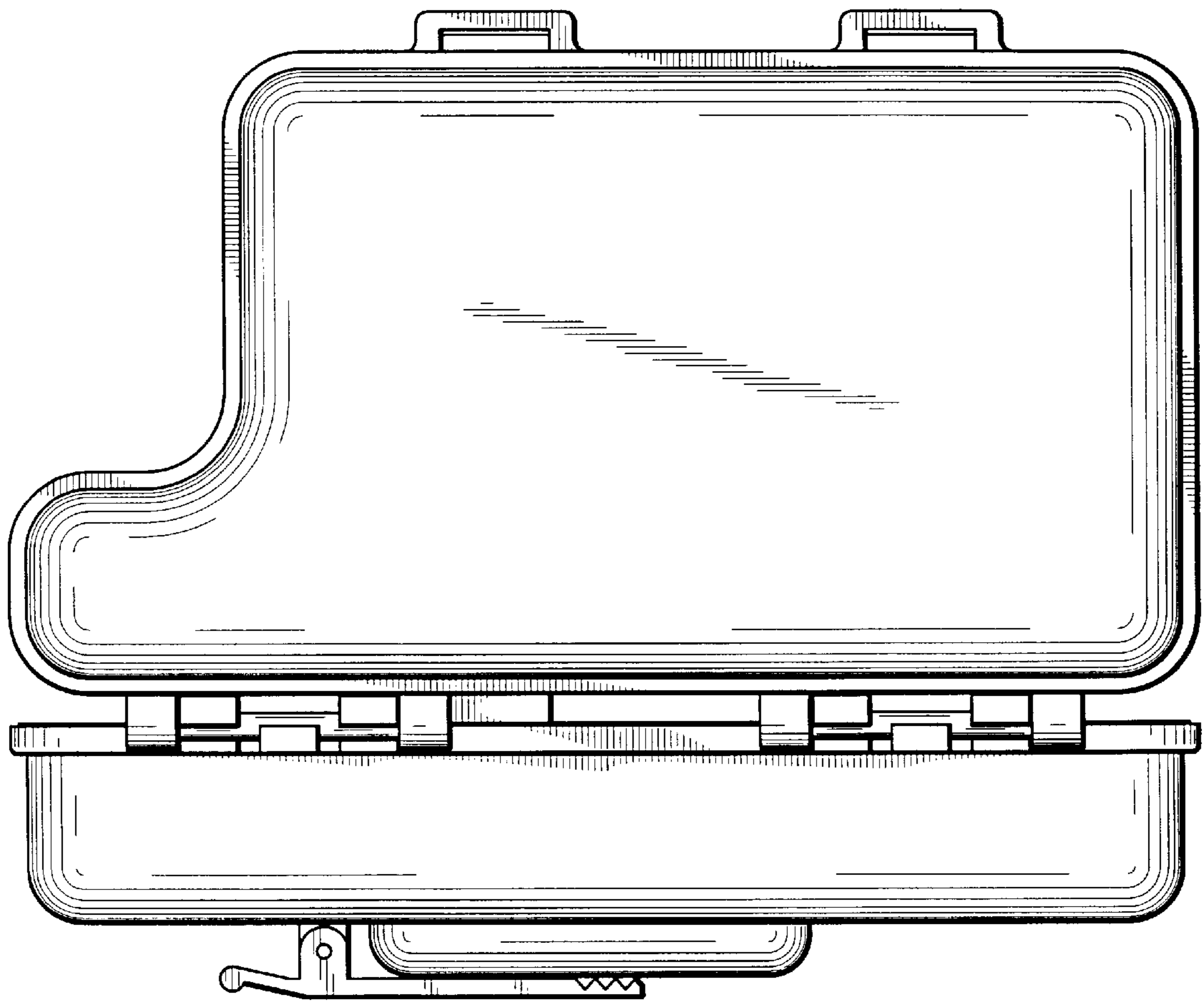


*Fig. 1*

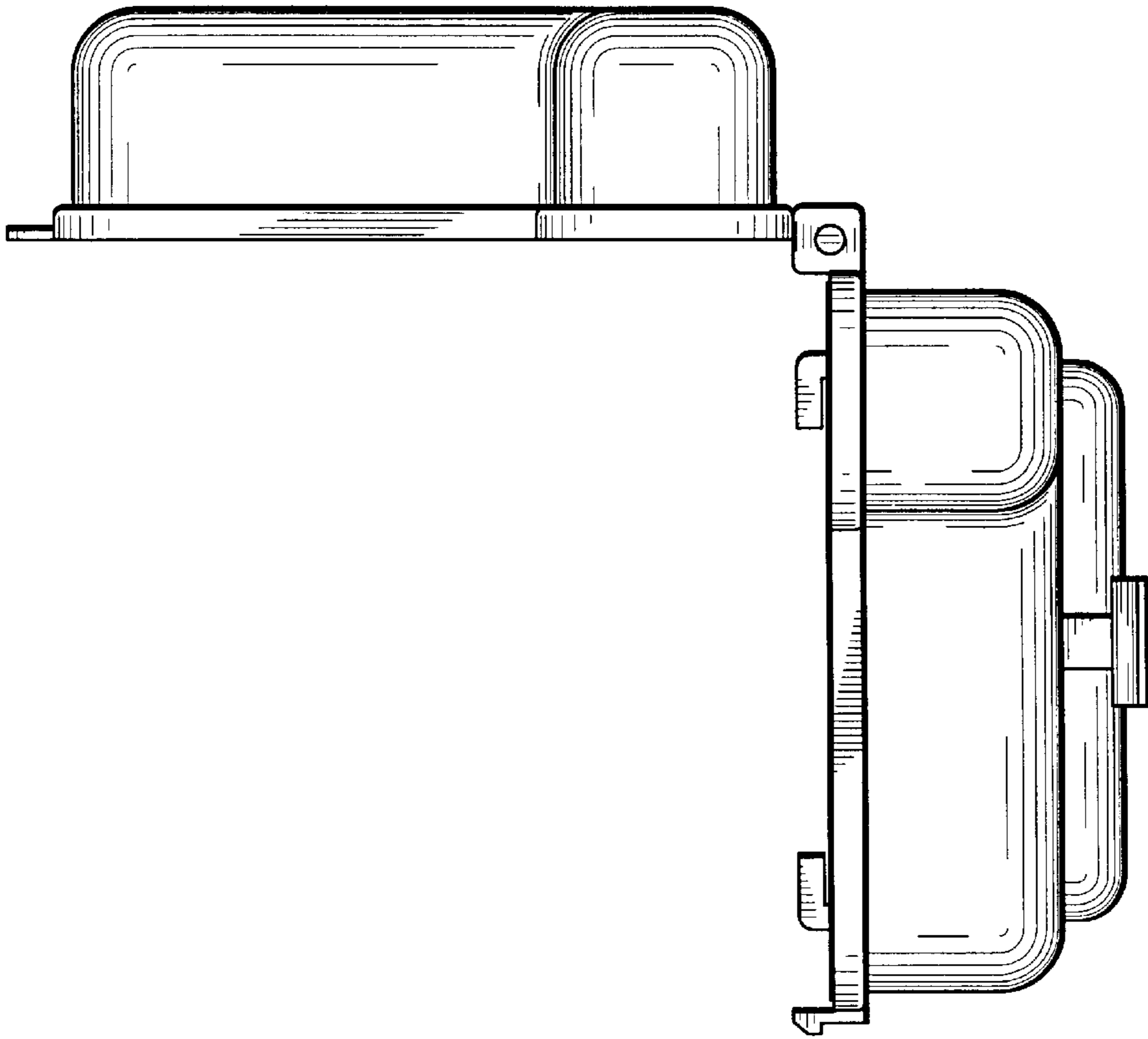




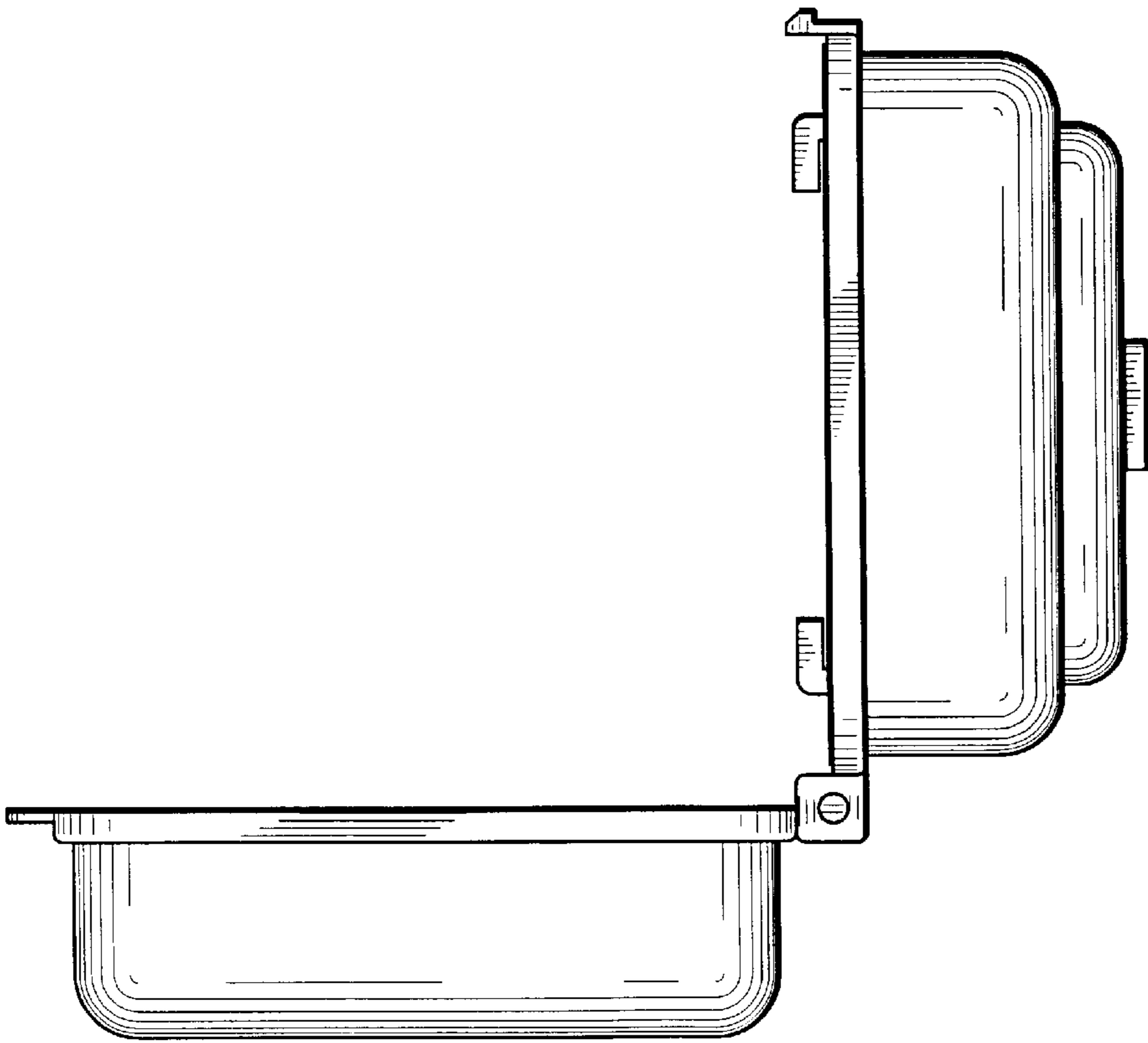
*Fig. 2*



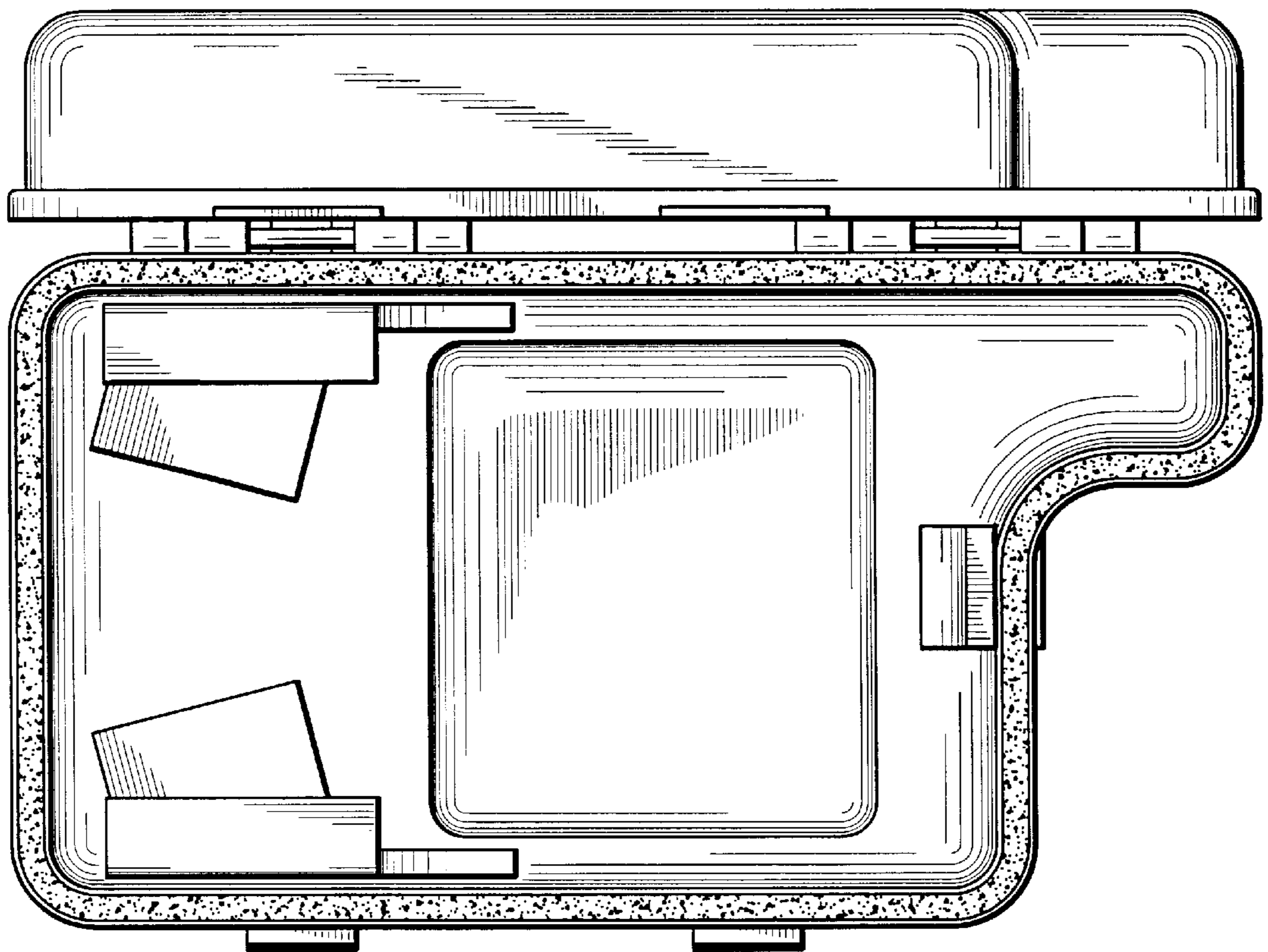
*Fig. 3*



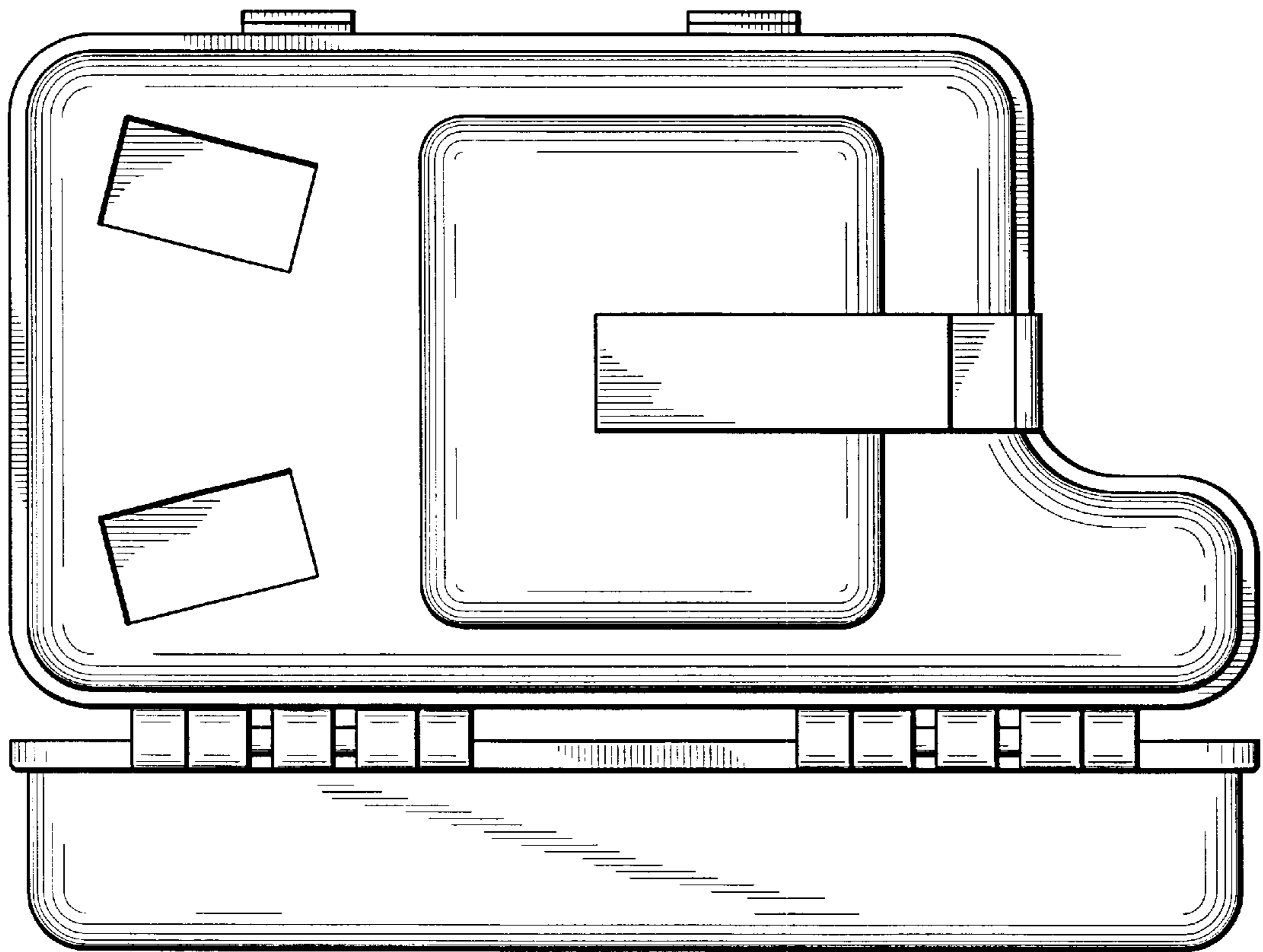
*Fig. 5*



*Fig. 4*



*Fig. 6*



*Fig. 7*