



US00D425285S

United States Patent [19]

Shinada et al.

[11] Patent Number: Des. 425,285

[45] Date of Patent: ** May 23, 2000

[54] INK CARTRIDGE FOR PRINTER

5,606,354 2/1997 Bekki et al. D18/56

[75] Inventors: Satoshi Shinada; Takeo Seino, both of Suwa, Japan

FOREIGN PATENT DOCUMENTS

2069128 3/1997 United Kingdom .

[73] Assignee: Seiko Epson Corporation, Tokyo, Japan

Primary Examiner—Cathy Anne MacCormac
Attorney, Agent, or Firm—Stroock & Stroock & Lavan LLP

[**] Term: 14 Years

[57] CLAIM

[21] Appl. No.: 29/105,284

The ornamental design for an ink cartridge for printer, as shown in the drawings.

[22] Filed: May 21, 1999

DESCRIPTION

[30] Foreign Application Priority Data

Nov. 25, 1998 [JP] Japan 10-33854

FIG. 1 is a perspective view of the top, front and right side of an ink cartridge for printer showing our new design; FIG. 2 is a front elevational view thereof; FIG. 3 is a rear elevational view thereof; FIG. 4 is a top plan view thereof; FIG. 5 is a right side elevational view thereof; FIG. 6 is a left side elevational view thereof; FIG. 7 is a bottom view thereof; FIG. 8 is a perspective view of the top, front and right side of a second embodiment of FIG. 1; FIG. 9 is a front view of FIG. 8; FIG. 10 is a rear view of FIG. 8; FIG. 11 is a top plan view of FIG. 8; FIG. 12 is a right side view of FIG. 8; FIG. 13 is a left side view of FIG. 8; and, FIG. 14 is a bottom view of FIG. 8.

[51] LOC (7) Cl. 18-02

[52] U.S. Cl. 347/86; 347/86

[58] Field of Search D18/56; 347/86, 347/87

[56] References Cited

U.S. PATENT DOCUMENTS

- D. 365,596 12/1995 Miyazawa et al. .
- D. 378,760 4/1997 Shinada et al. .
- D. 382,296 8/1997 Shinada et al. .
- D. 387,801 12/1997 Miyazawa et al. D18/56
- D. 390,261 2/1998 Miyazawa et al. .
- D. 397,143 8/1998 Kobayashi et al. .
- D. 400,575 11/1998 Kobayashi et al. D18/56

1 Claim, 8 Drawing Sheets

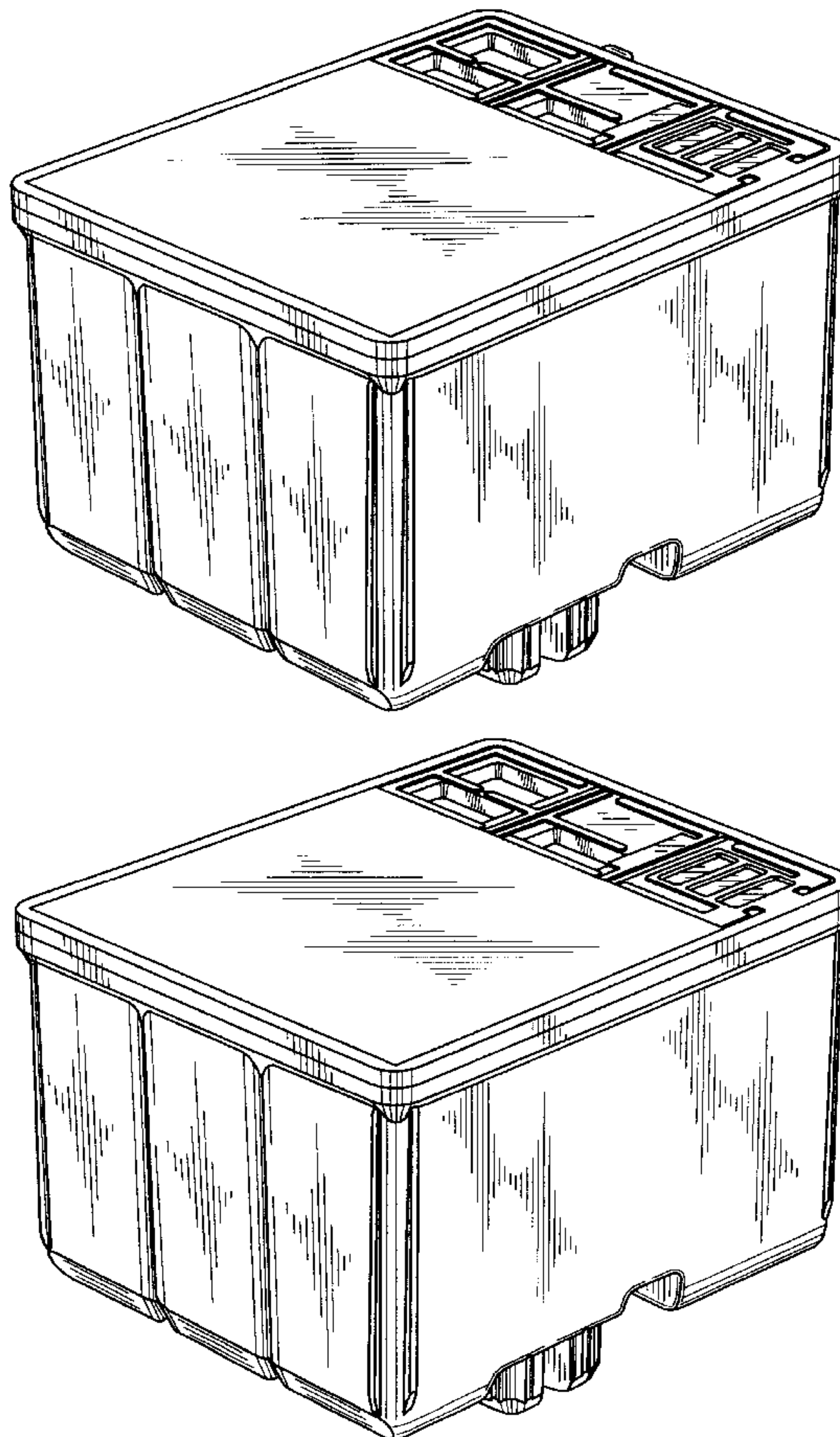


FIG. 1

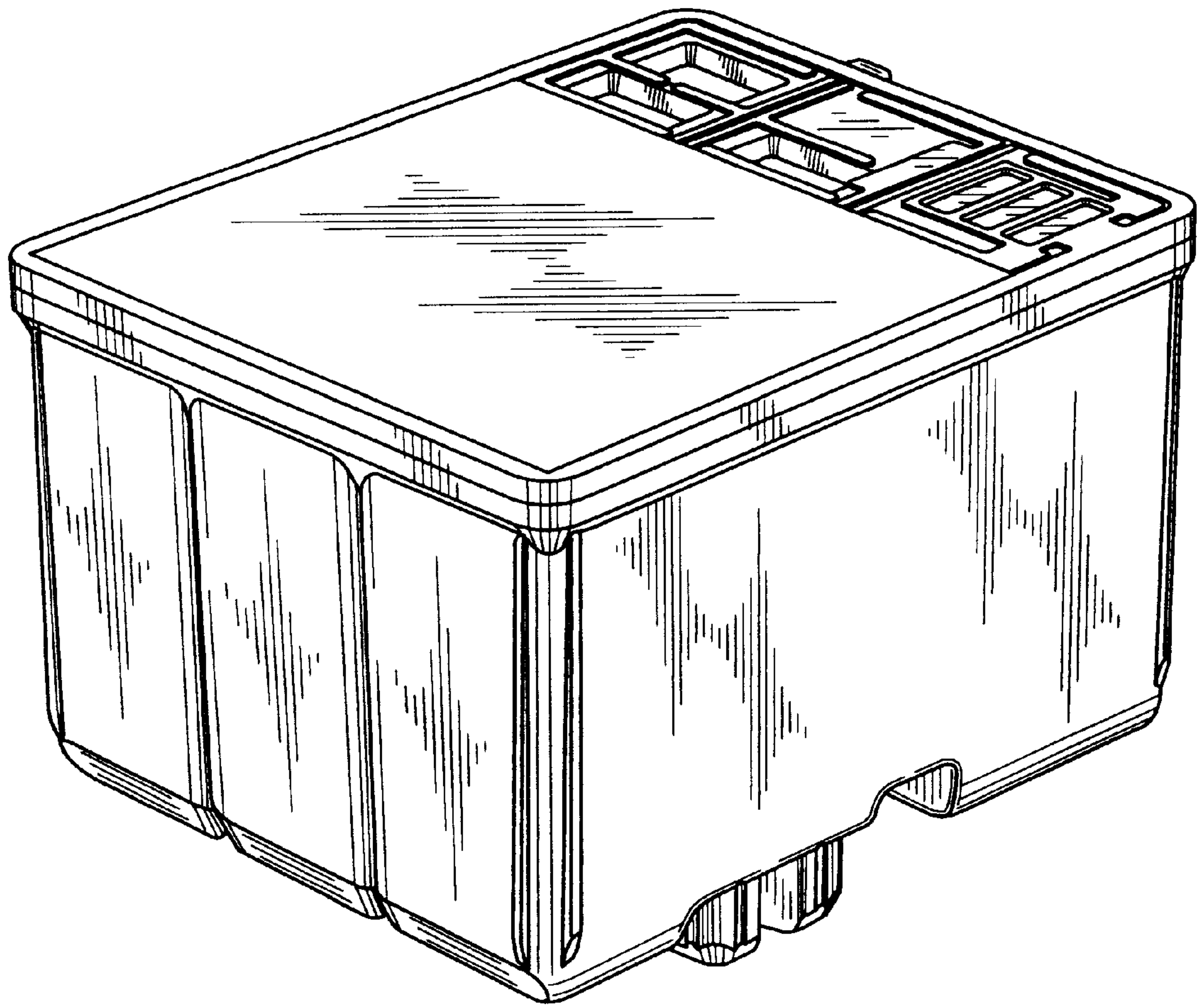


FIG. 2

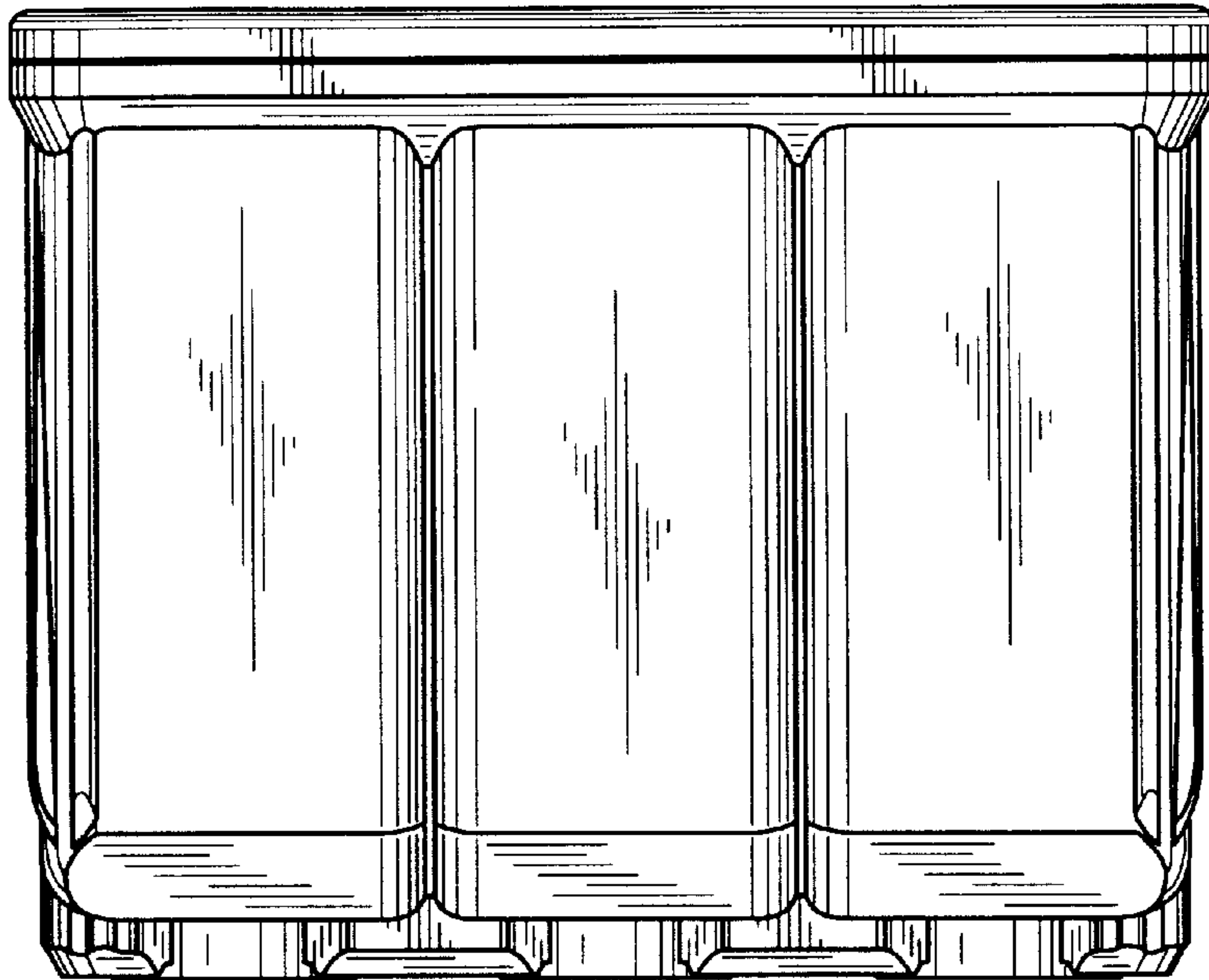


FIG. 3

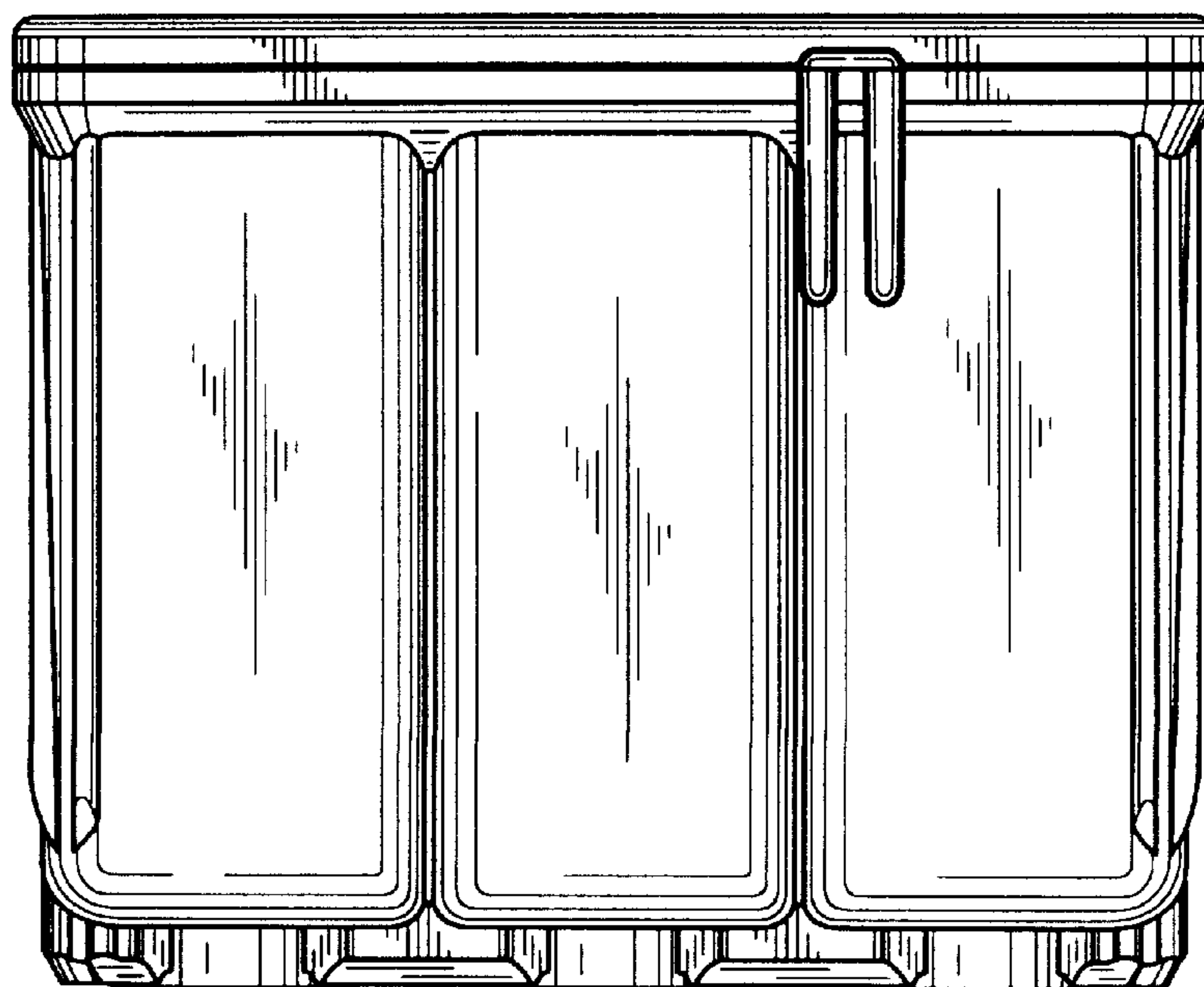


FIG. 4



FIG. 5

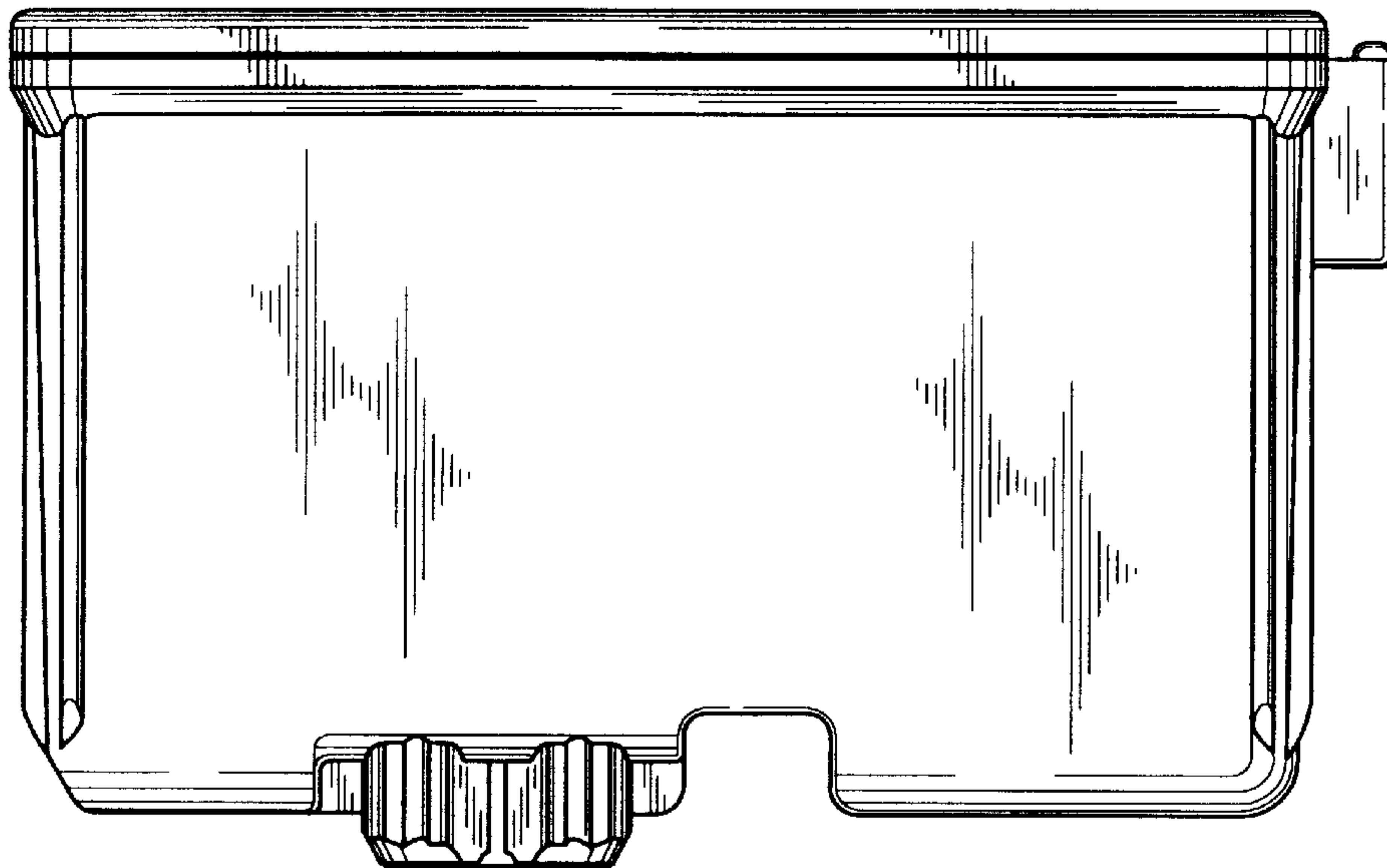


FIG. 6

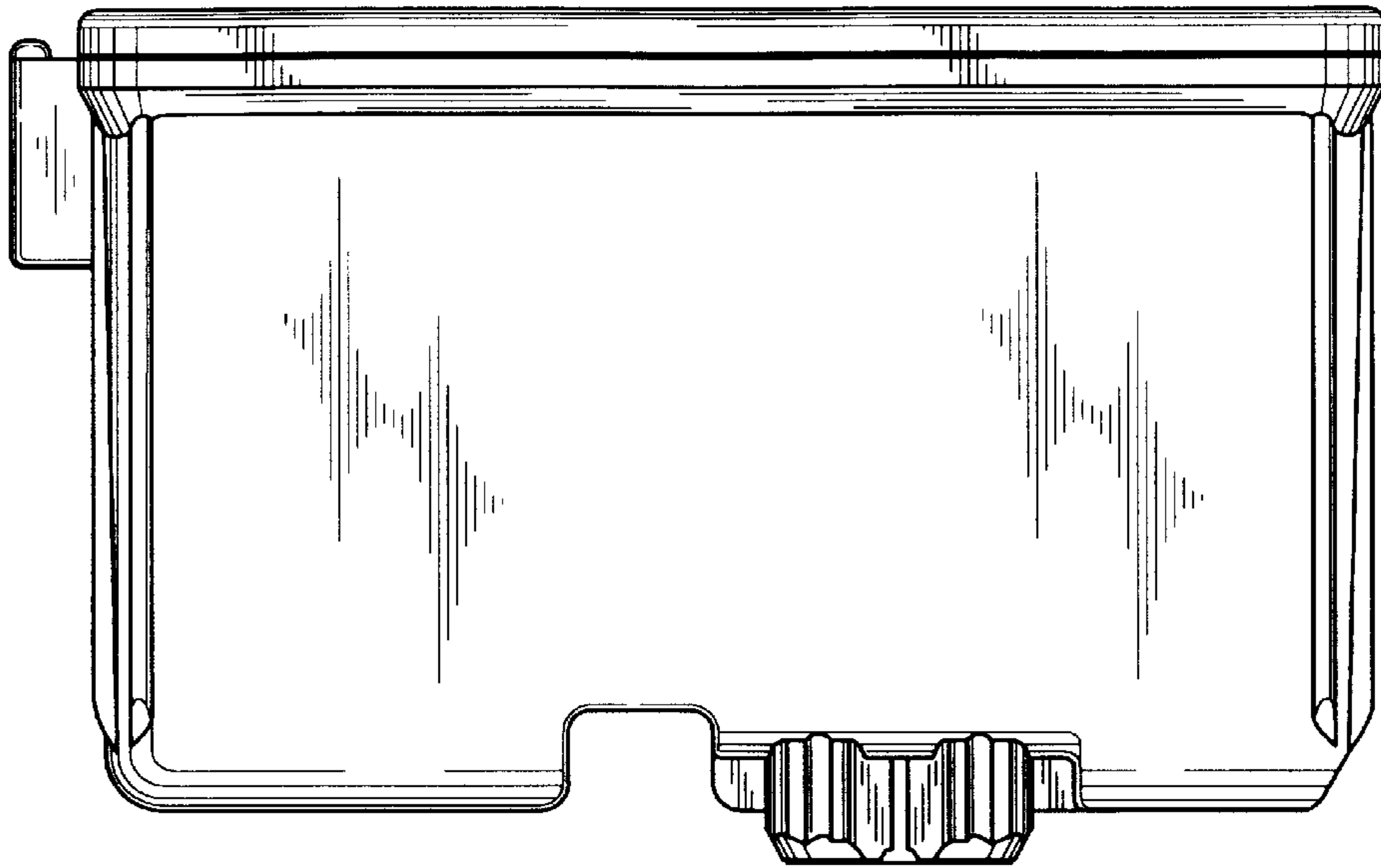


FIG. 7

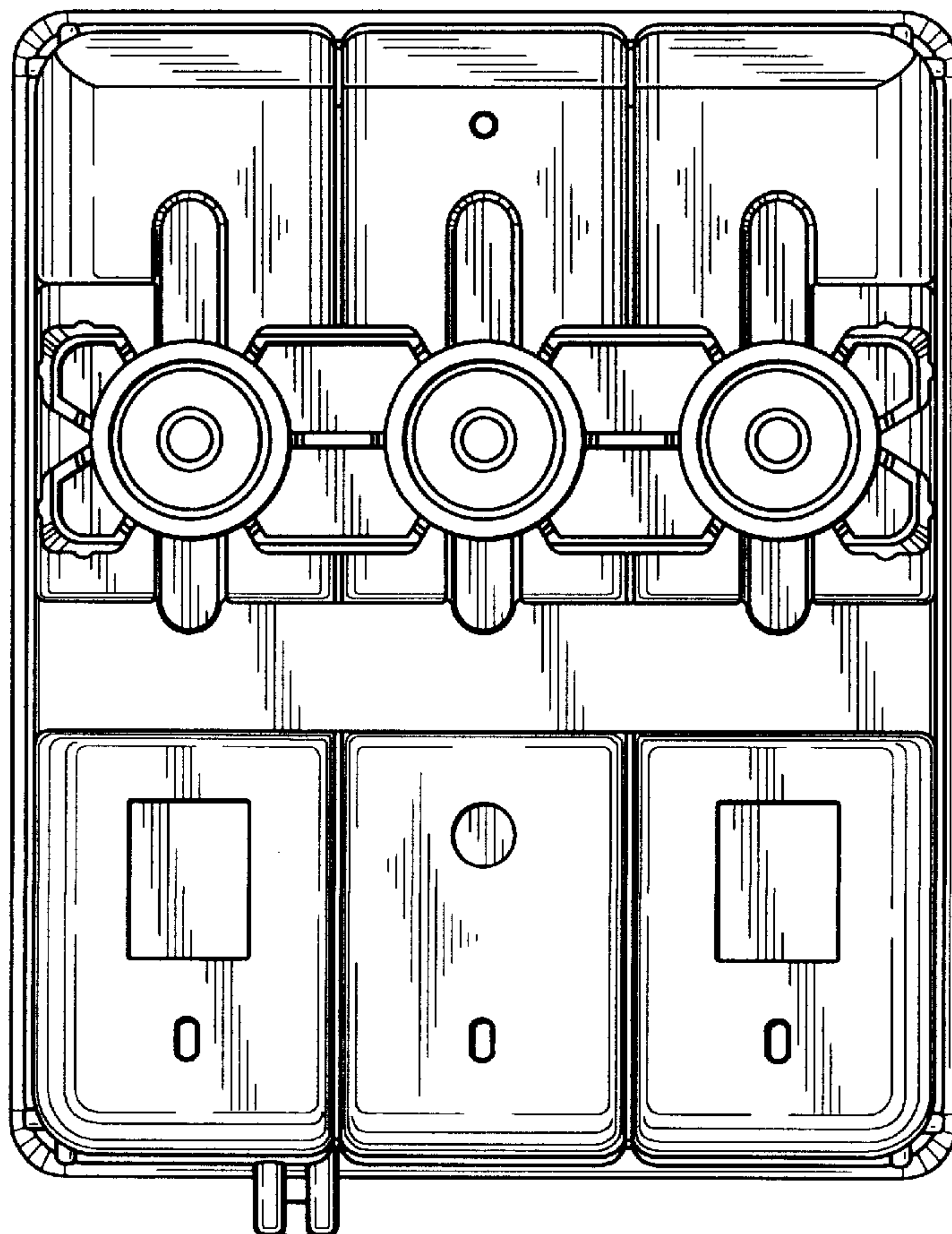


FIG. 8

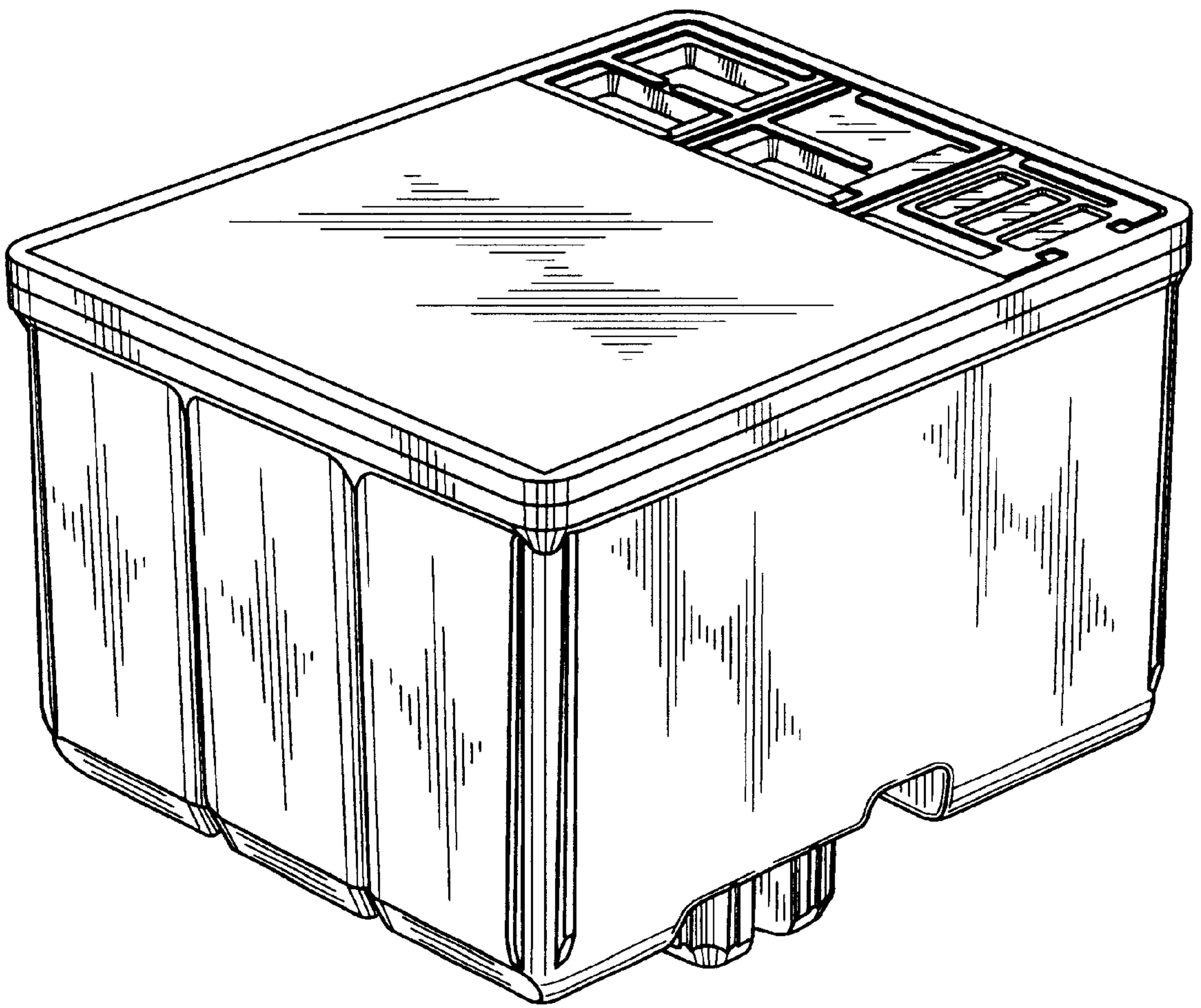


FIG. 9

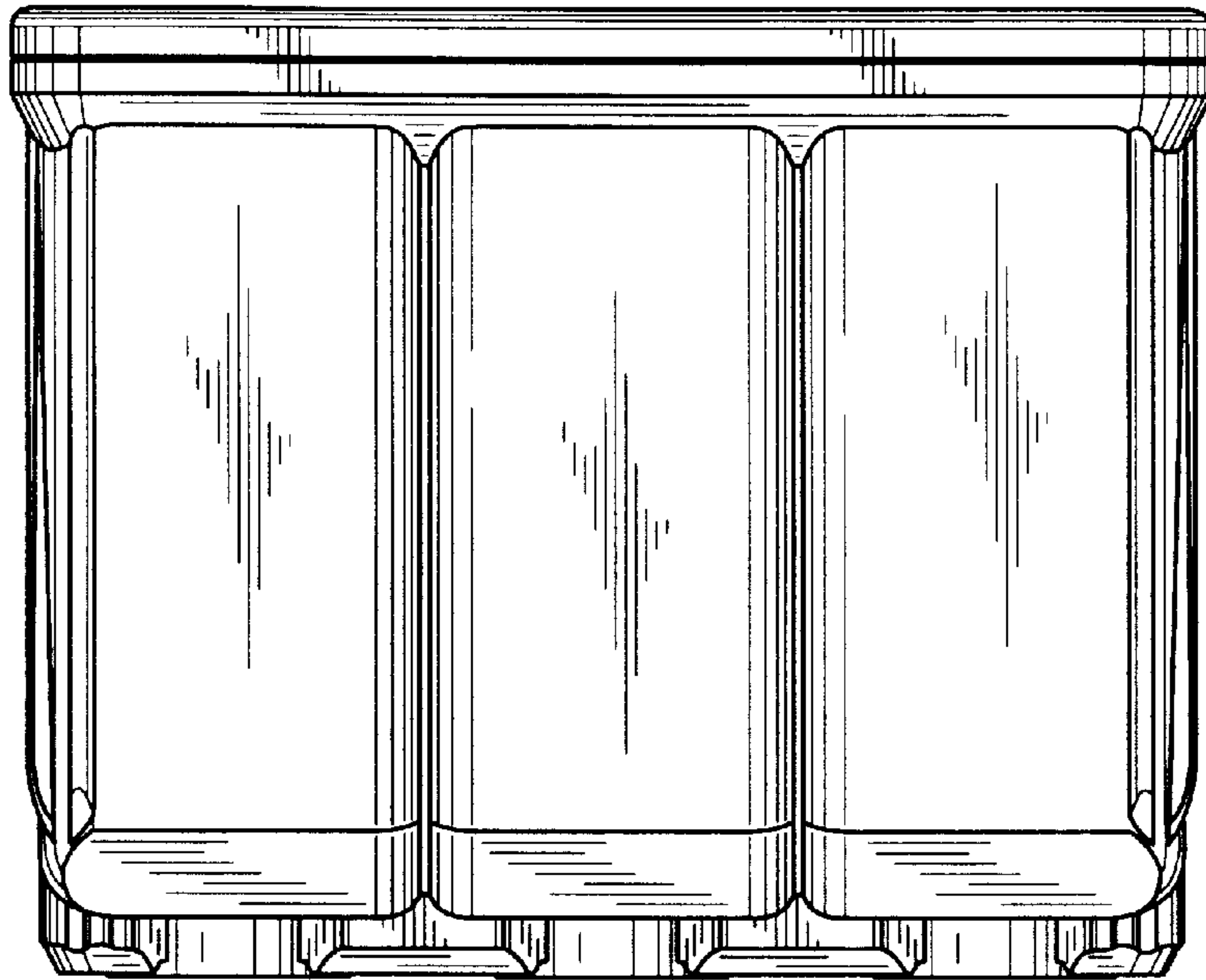


FIG. 10

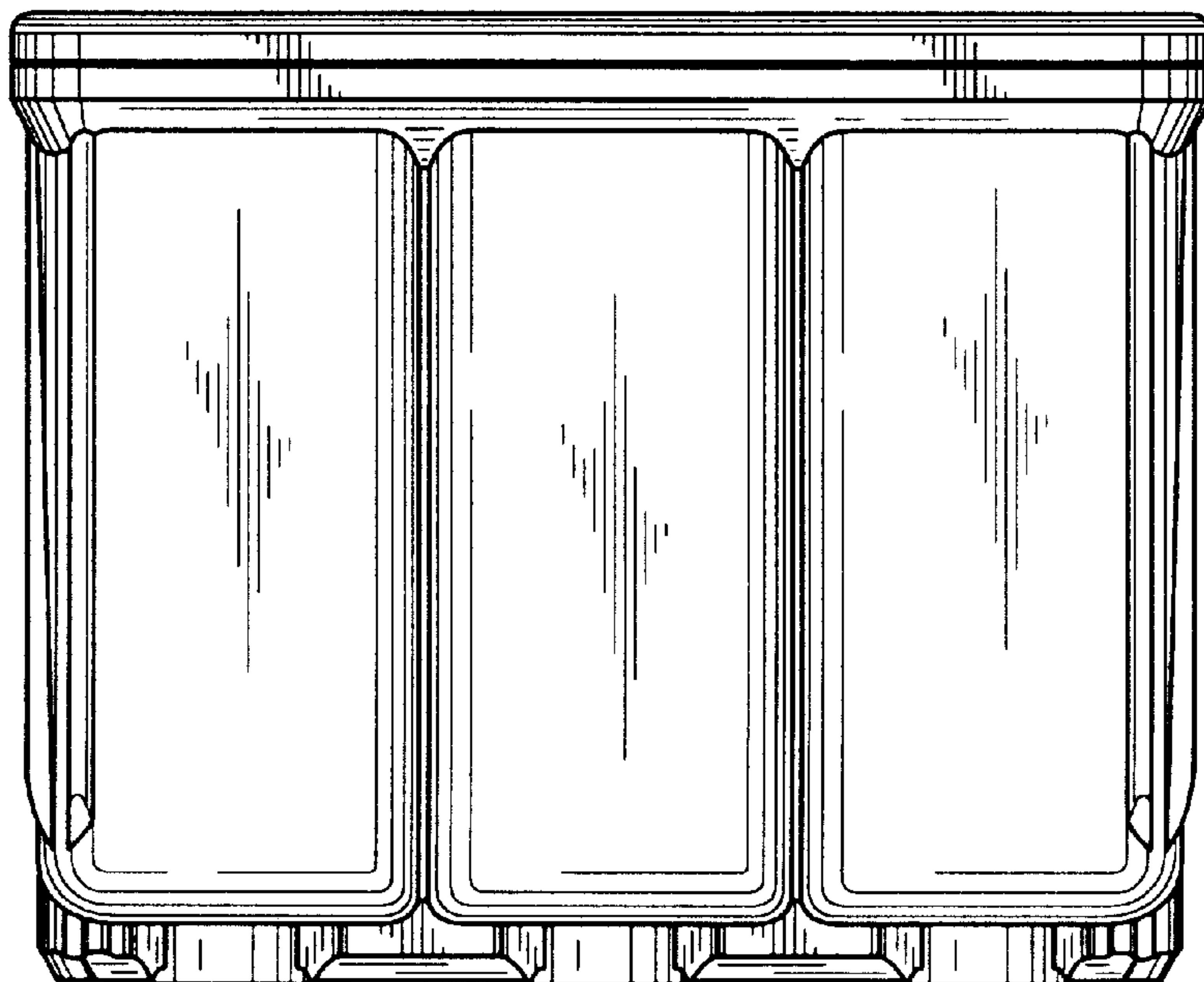


FIG. 11

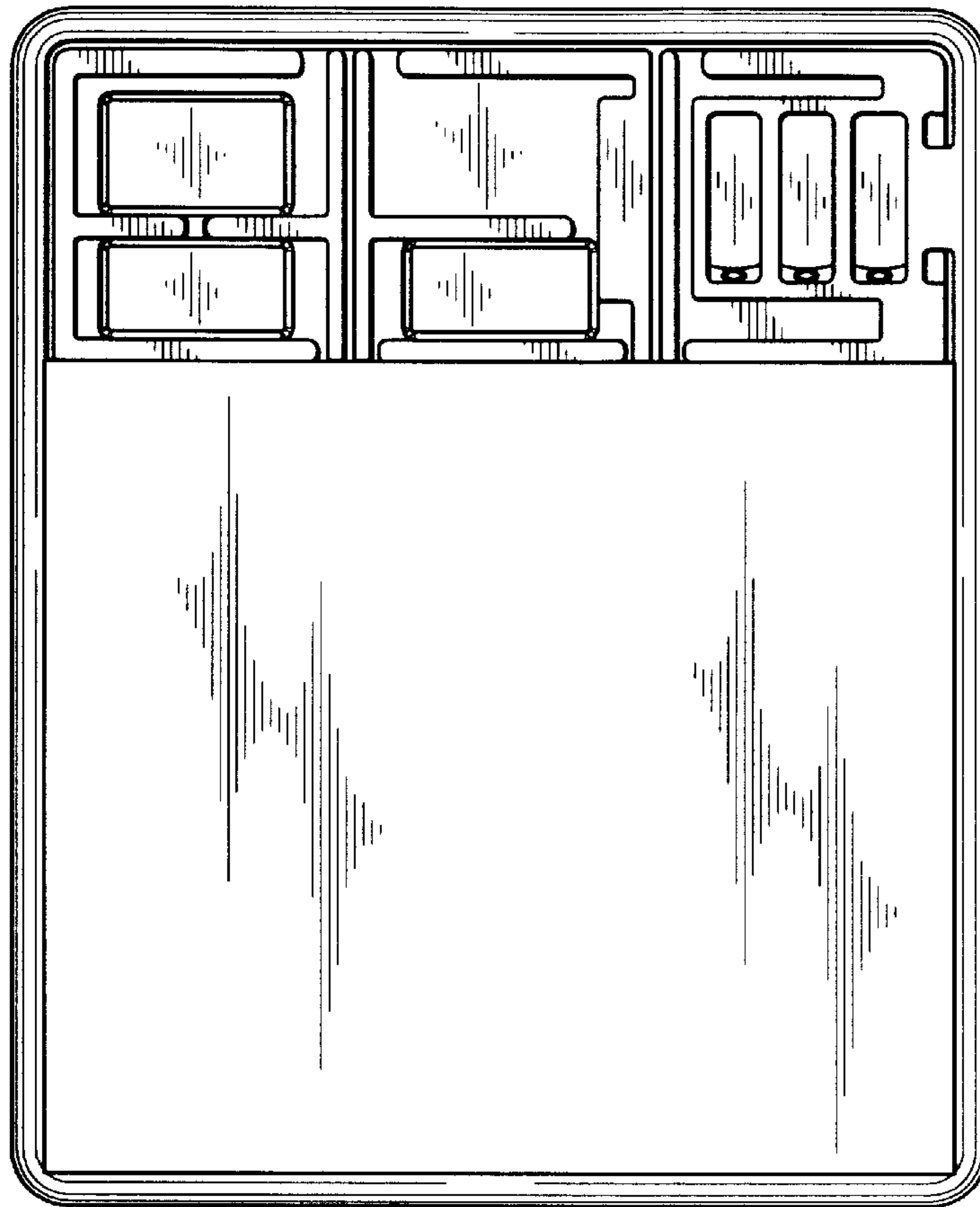


FIG. 12

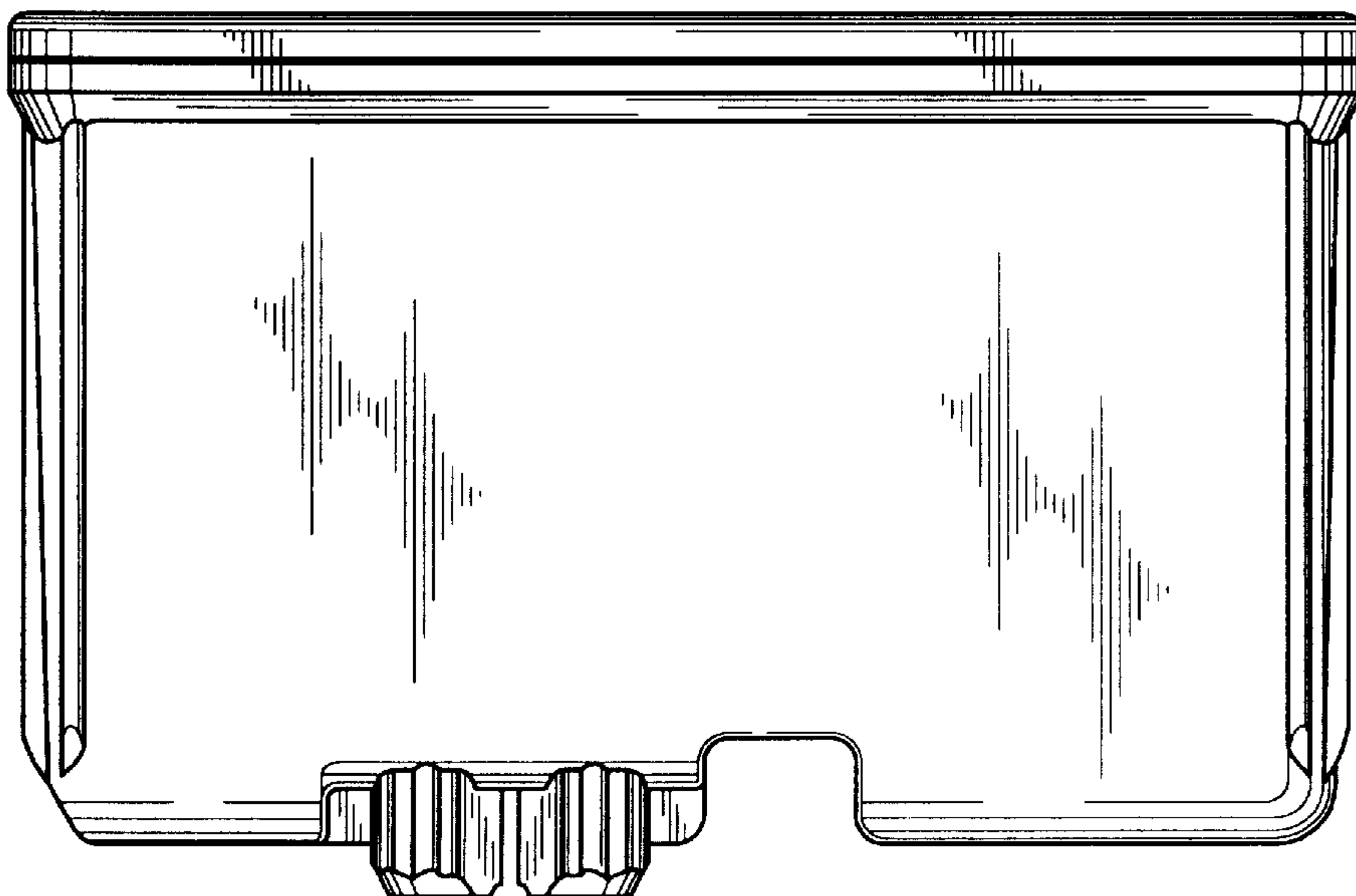


FIG. 13

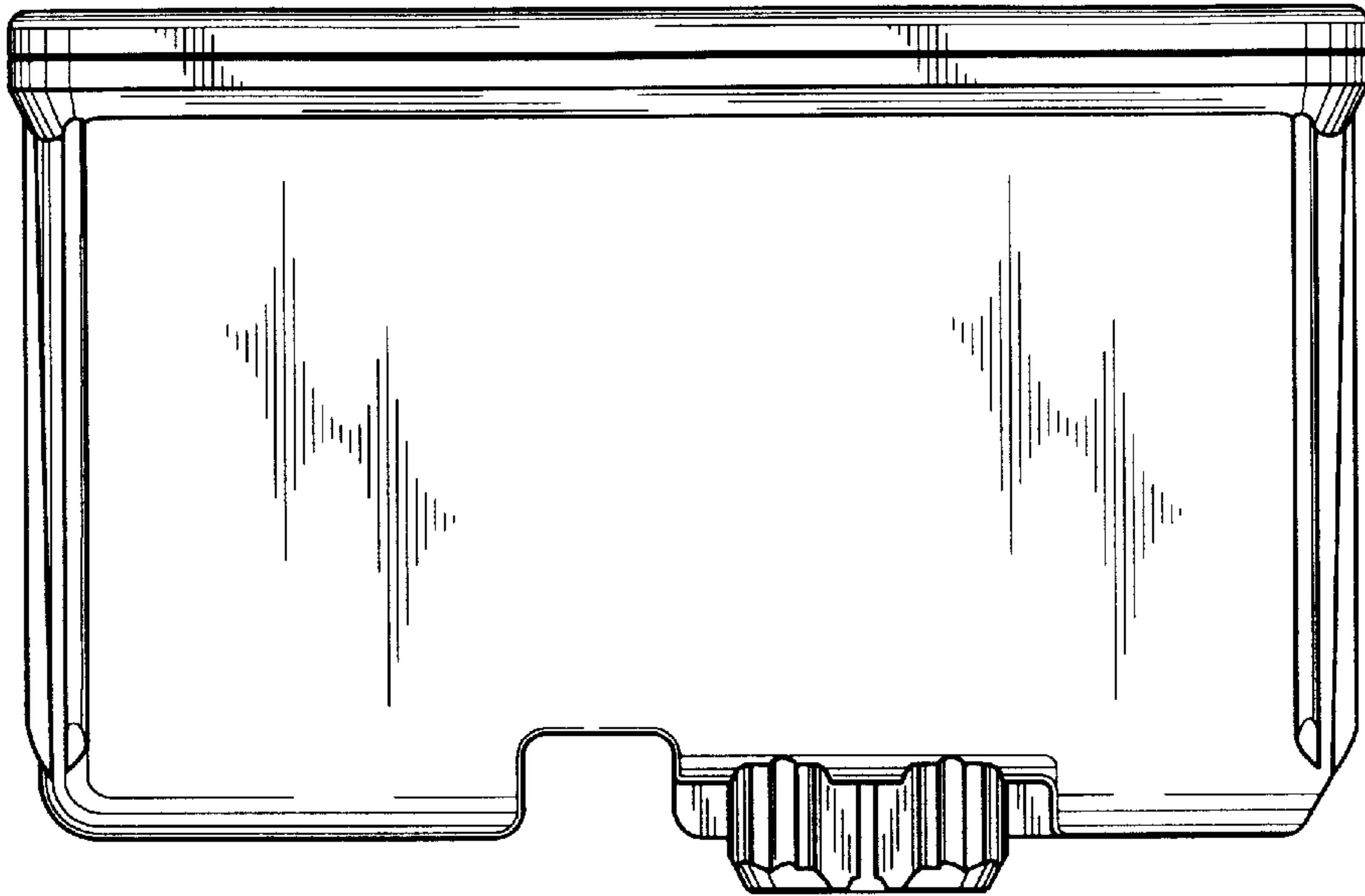


FIG. 14

