



US00D425284S

# United States Patent [19]

[11] Patent Number: **Des. 425,284**

Nottingham et al.

[45] Date of Patent: **\*\* May 16, 2000**

[54] **COIN HANDLING DEVICE**

[75] Inventors: **John R. Nottingham**, Hunting Valley; **William J. Knox, Jr.**, Painesville; **John W. Spirk**, Gates Mills; **Nicholas E. Stanca**; **Douglas A. Gall**, both of Westlake, all of Ohio

[73] Assignee: **Mag-Nif Incorporated**, Cleveland, Ohio

[\*\*] Term: **14 Years**

[21] Appl. No.: **29/110,386**

[22] Filed: **Sep. 3, 1999**

### Related U.S. Application Data

[63] Continuation of application No. 09/244,937, Feb. 4, 1999.

[51] **LOC (7) Cl.** ..... **99-00**

[52] **U.S. Cl.** ..... **D99/34**

[58] **Field of Search** ..... D99/34, 35, 36, D99/37; D20/7, 9; D18/3; 446/8, 10; 453/9, 12, 13, 58, 59, 60, 61, 62; 221/186; 194/242

### [56] References Cited

#### U.S. PATENT DOCUMENTS

- D. 223,292 4/1972 Brewster ..... D18/3
- D. 283,075 3/1986 Spirk, Jr. et al. .... D99/34
- D. 359,152 6/1995 Adams et al. .... D99/34
- D. 393,531 4/1998 Perkitny ..... D99/35
- 1,509,950 9/1924 Hedrick .

- 3,135,270 6/1964 Arnold ..... 453/9
- 3,844,297 10/1974 Lautzenhiser ..... 453/9
- 3,997,045 12/1976 Yeung ..... 446/8
- 4,560,086 12/1985 Stol .
- 4,607,648 8/1986 Hough .
- 4,787,873 11/1988 Borrmann et al. .
- 4,987,990 1/1991 Perkitny ..... 194/242
- 5,474,496 12/1995 Perkitny .
- 5,827,117 10/1998 Naas .
- 5,976,006 11/1999 Snyder ..... 453/9

### OTHER PUBLICATIONS

Mag-Nif Makes it in the U.S.A. !—Banks, Games & Puzzles, Just for Fun! catalog (Front Cover, pp. 1–14 and Back Cover) (1998).

*Primary Examiner*—Paula A. Mortimer  
*Attorney, Agent, or Firm*—Fay, Sharpe, Fagan, Minnich & McKee, LLP

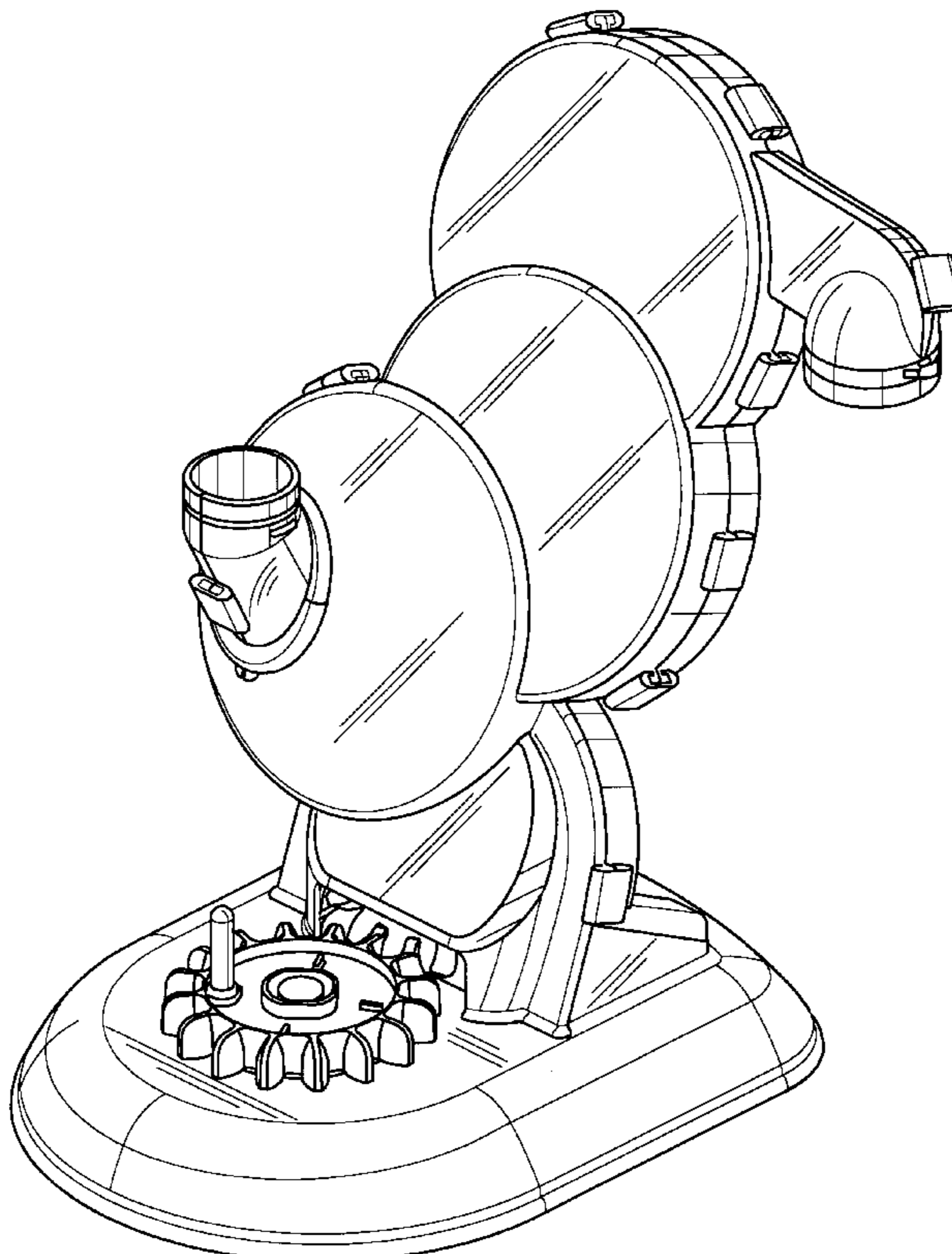
### [57] CLAIM

The ornamental design for a coin handling device, as shown.

### DESCRIPTION

FIG. 1 is a perspective view of a coin handling device showing our new design; FIG. 2 is a front elevational view thereof; FIG. 3 is a rear elevational view thereof; FIG. 4 is a left side elevational view thereof; FIG. 5 is a right side elevational view thereof; FIG. 6 is a top plan view thereof; and, FIG. 7 is a bottom plan view thereof.

**1 Claim, 5 Drawing Sheets**



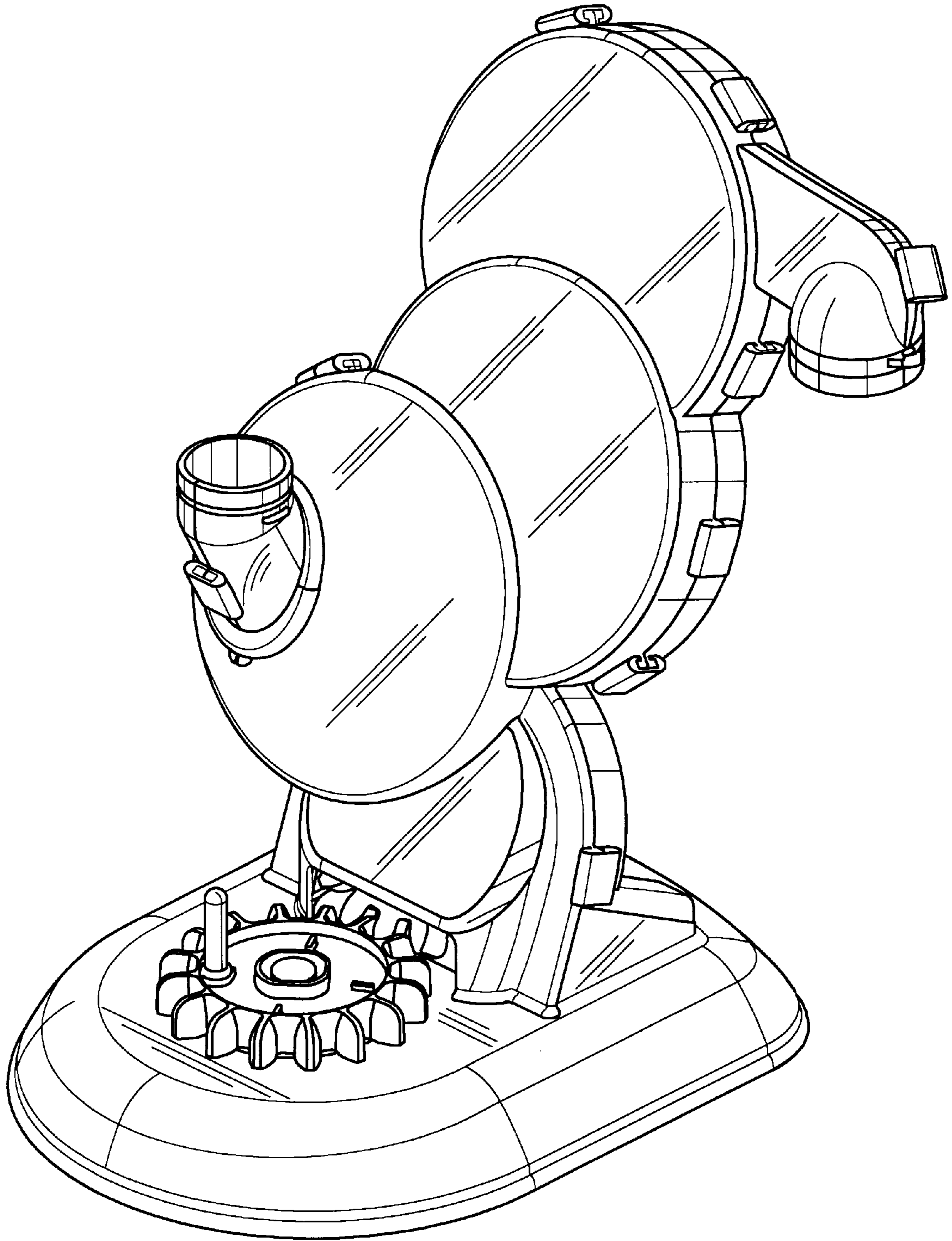


FIG.1

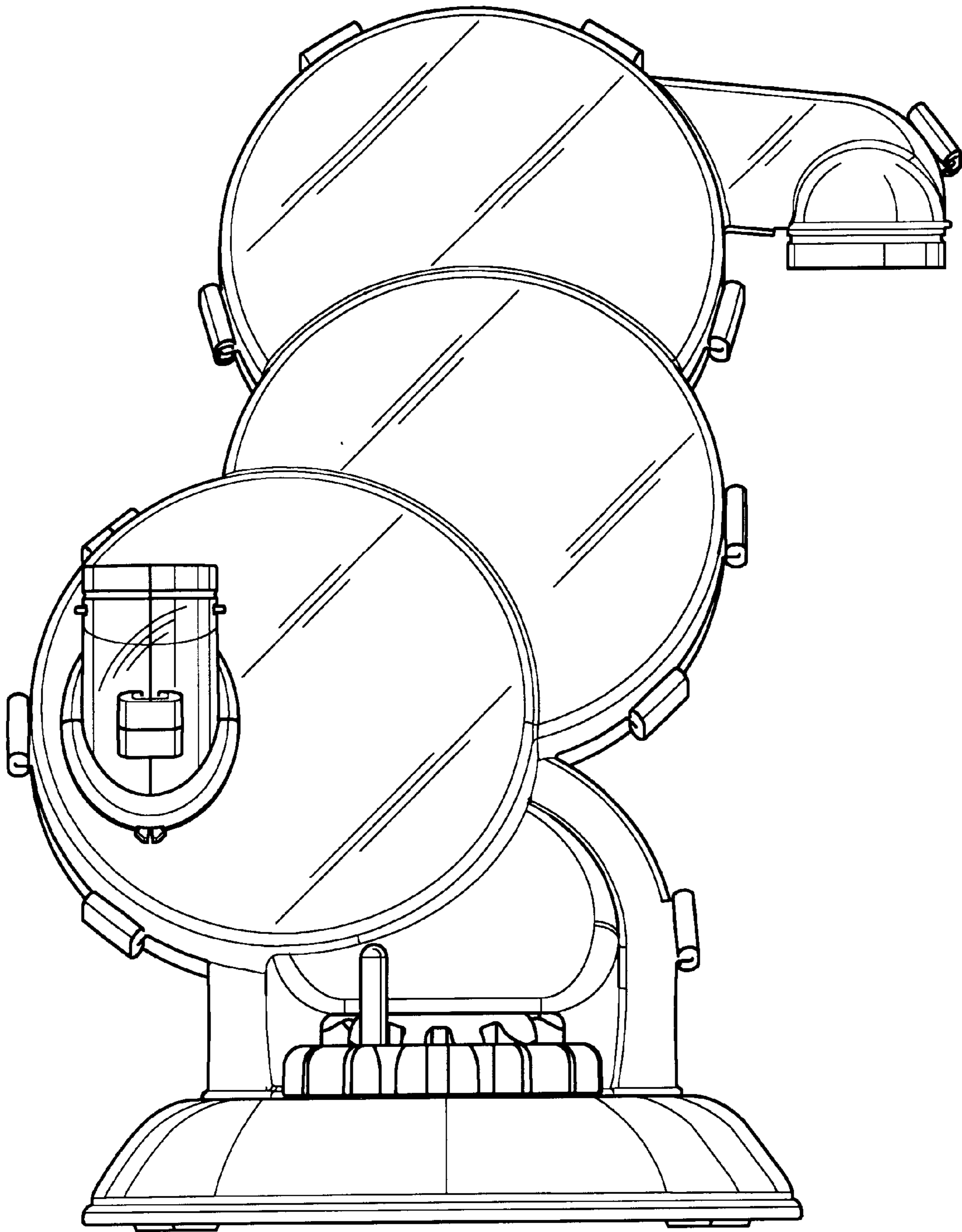


FIG.2

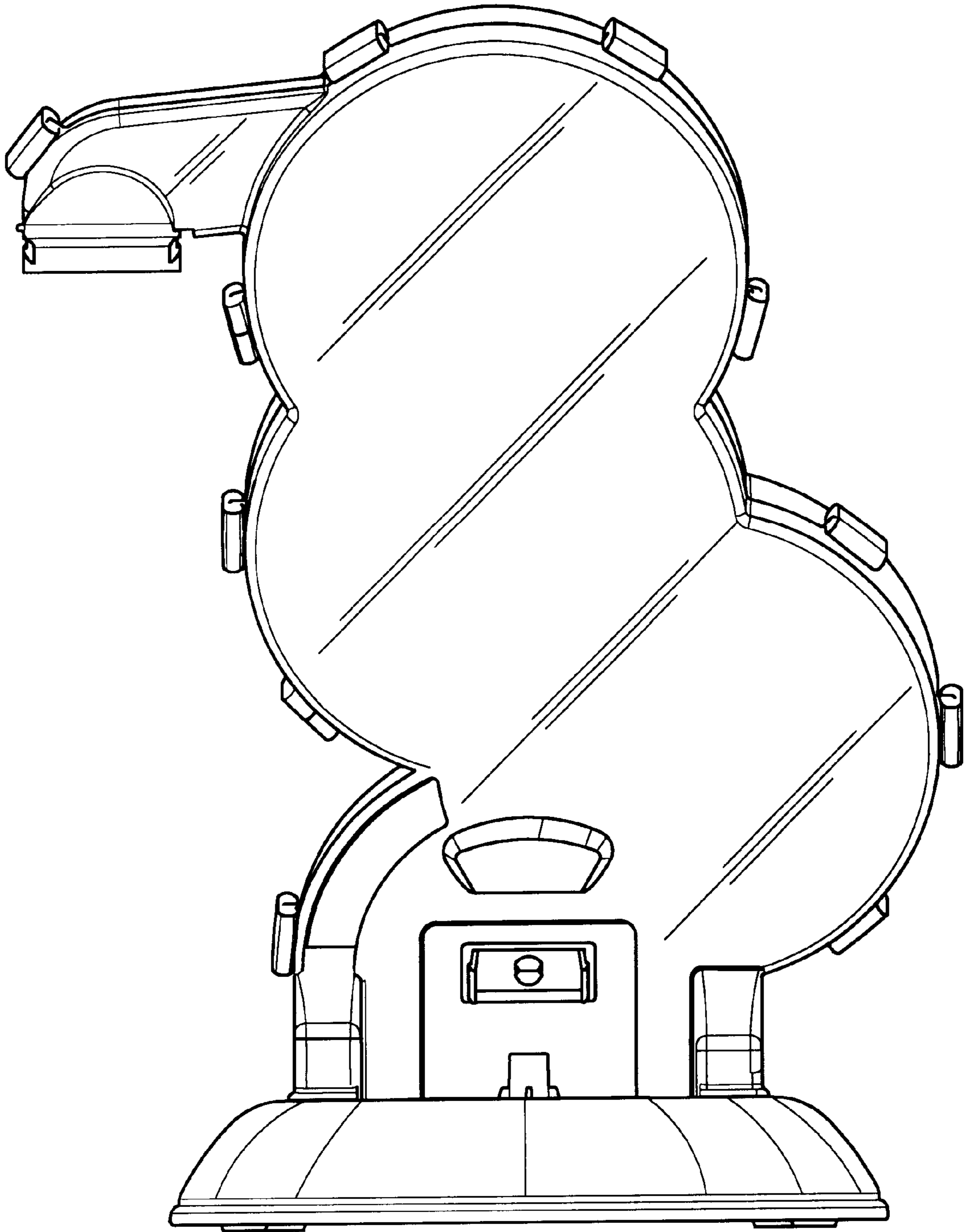


FIG. 3

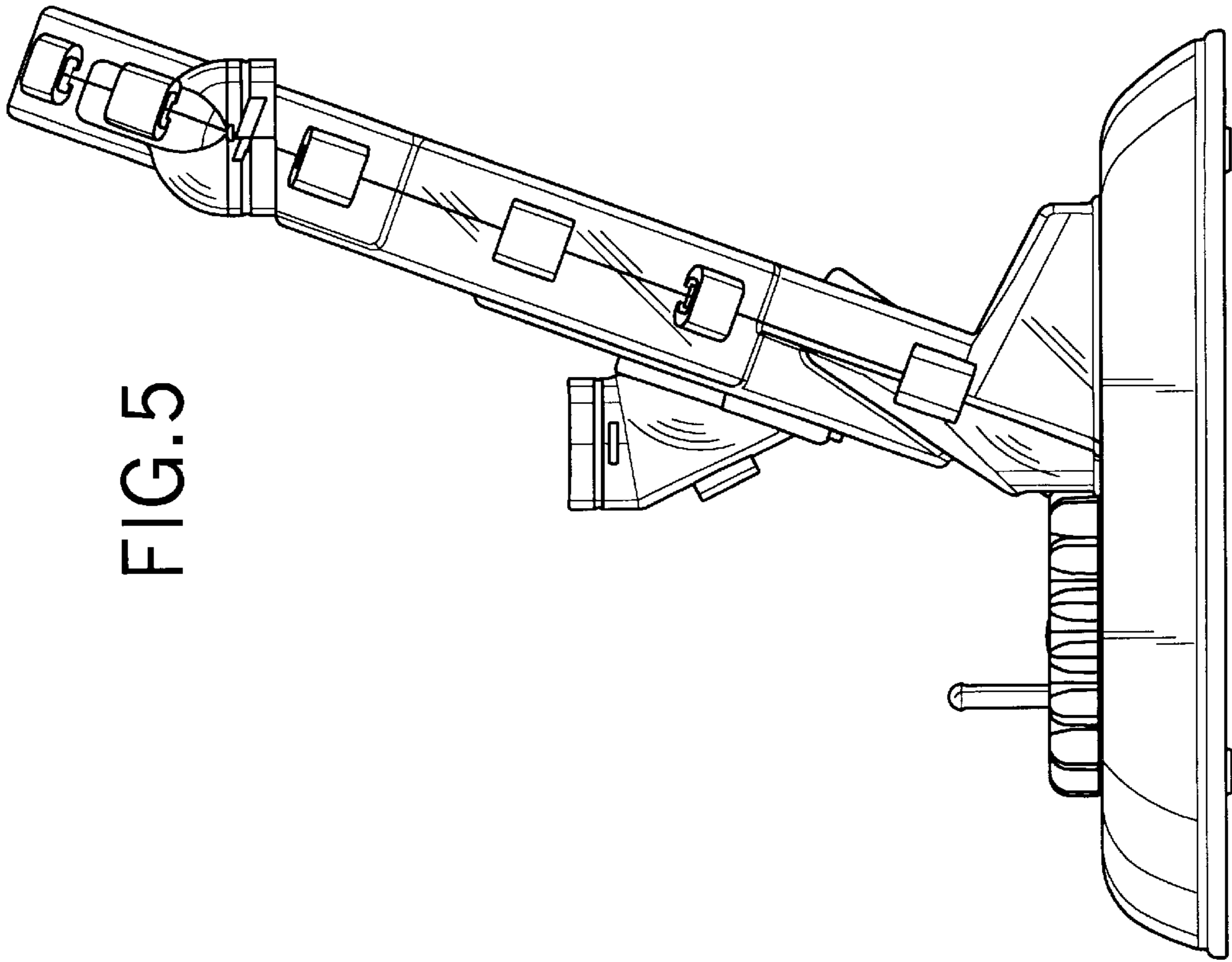


FIG.5

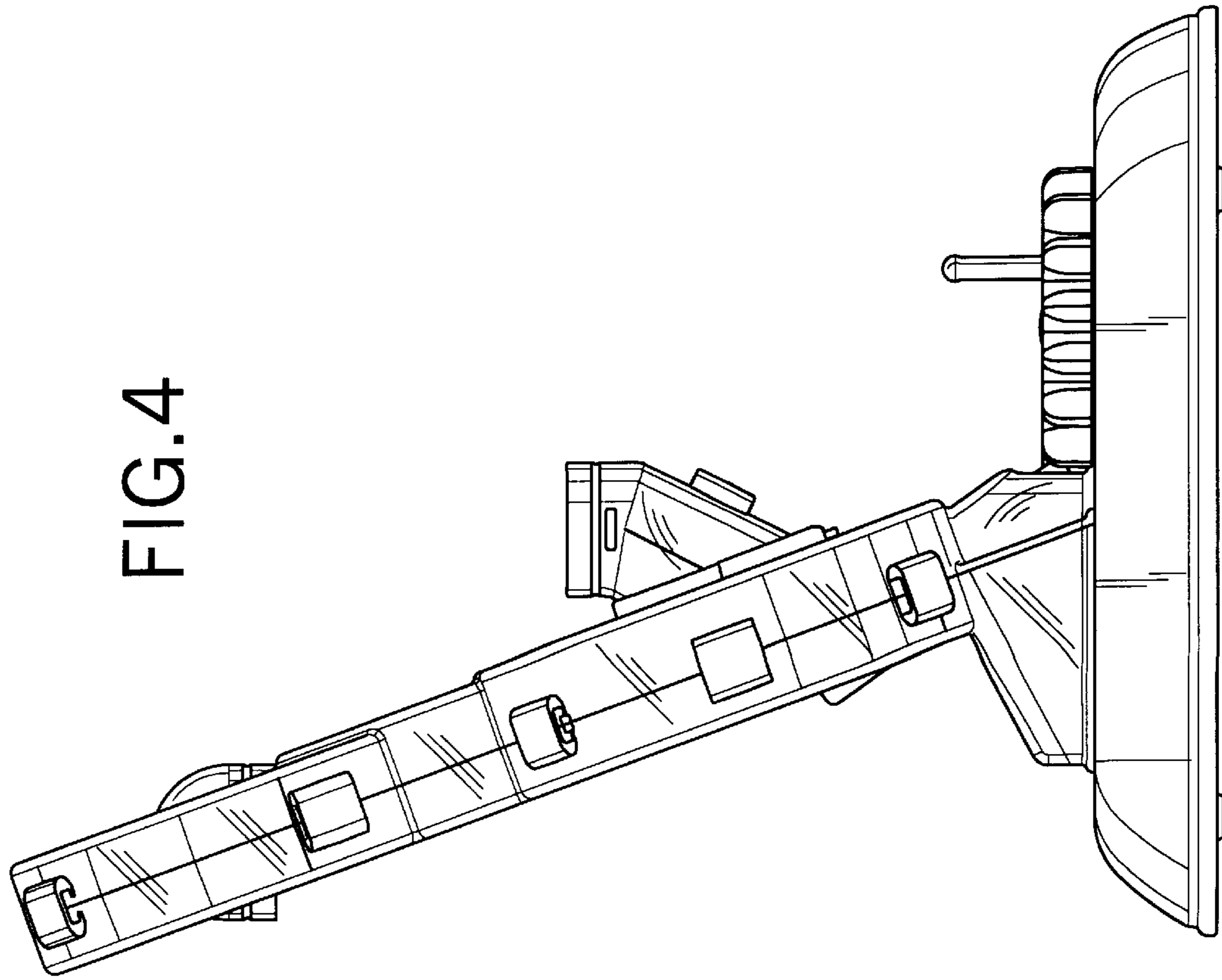


FIG.4

FIG.6

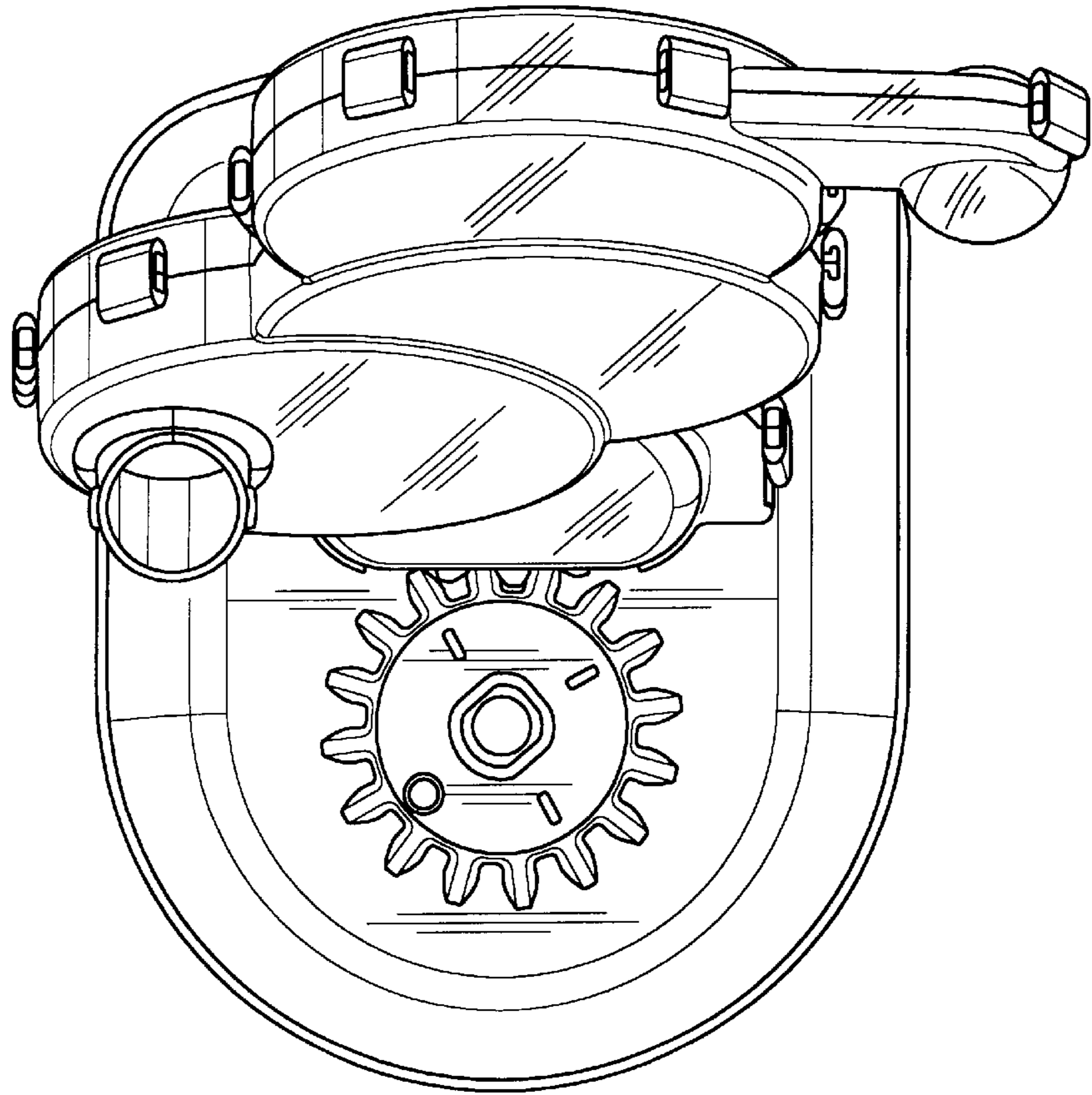


FIG.7

