



US00D425282S

# United States Patent [19] Sorensen

[11] Patent Number: Des. 425,282

[45] Date of Patent: \*\* May 16, 2000

[54] SERVICE JACK

[75] Inventor: Bradford T. Sorensen, Glendale, Calif.

[73] Assignee: Alltrade Inc., Long Beach, Calif.

[\*\*] Term: 14 Years

[21] Appl. No.: 29/109,162

[22] Filed: Aug. 9, 1999

[51] LOC (7) Cl. .... 12-05

[52] U.S. Cl. .... D34/31

[58] Field of Search ..... D34/31, 28; 254/8 B,  
254/8 R, 11, 84, 86, 93 H, 133, 134, 418,  
419, 420

[56] **References Cited**

U.S. PATENT DOCUMENTS

D. 235,751	7/1975	Butorac	.....	D34/31
D. 245,493	8/1977	Kenig	.....	D34/31
D. 263,036	2/1982	Hung	.....	D34/31
D. 263,128	2/1982	Glover, Jr. et al.	.....	D34/31
D. 286,934	11/1986	Hung	.....	D34/31
D. 364,026	11/1995	Hung	.....	D34/31
D. 388,926	1/1998	Sorenson	.....	D34/31
D. 398,730	9/1998	Lin	.....	D34/31
D. 416,370	11/1999	Hung	.....	D34/31
2,568,289	9/1951	Morey	.....	254/8 R
4,222,548	9/1980	John	.....	254/8 B
4,241,899	12/1980	Kaneko	.....	254/8 B
4,241,900	12/1980	Okuda	.....	254/8 B

4,251,056	2/1981	Maniglia	.....	254/8 B
4,277,048	7/1981	Okuda	.....	254/8 B
5,201,494	4/1993	Lundman	.....	254/8 B

Primary Examiner—Susan J. Lucas  
Assistant Examiner—Cynthia E Ramirez  
Attorney, Agent, or Firm—Robert R. Thornton

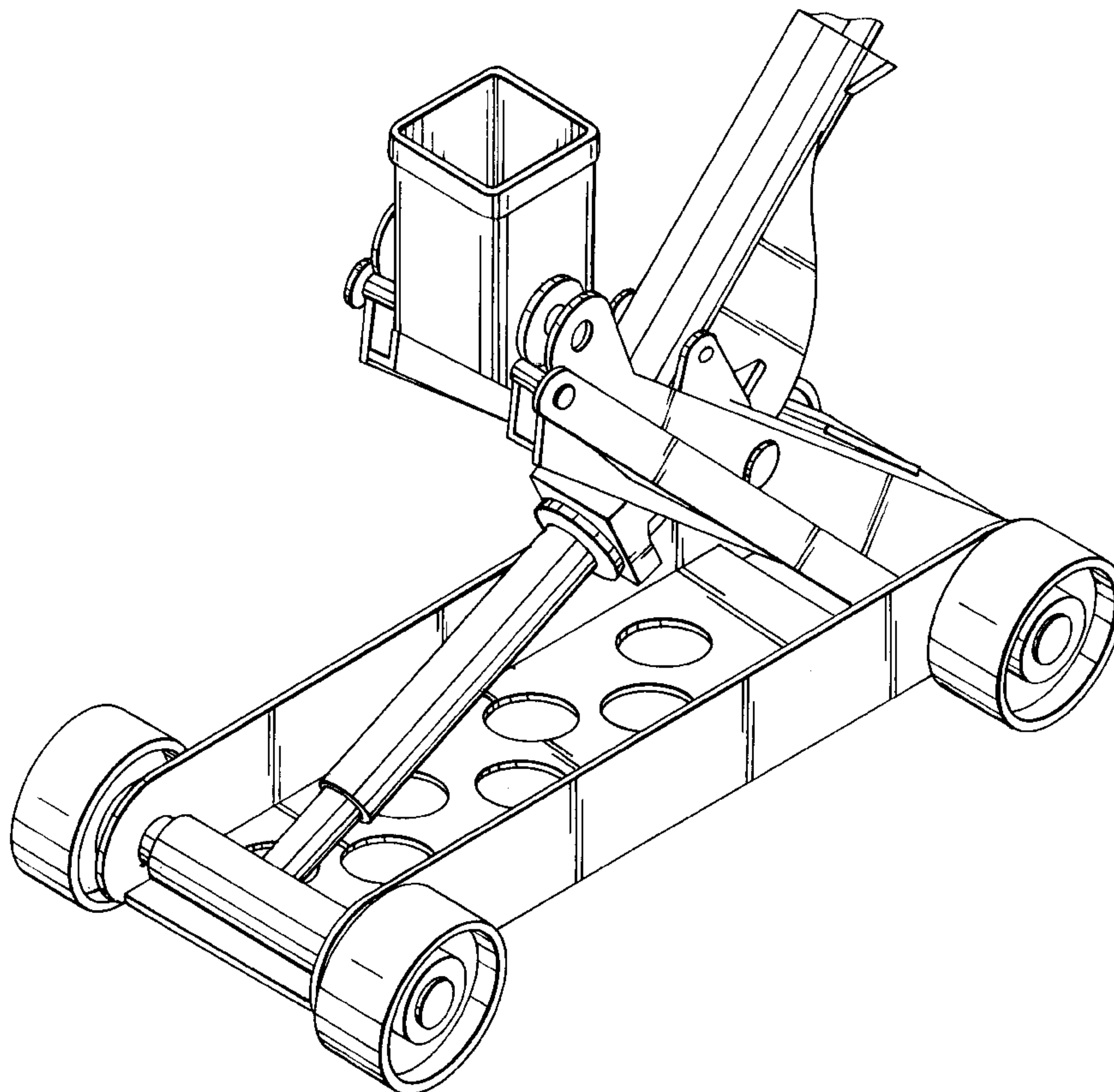
[57] **CLAIM**

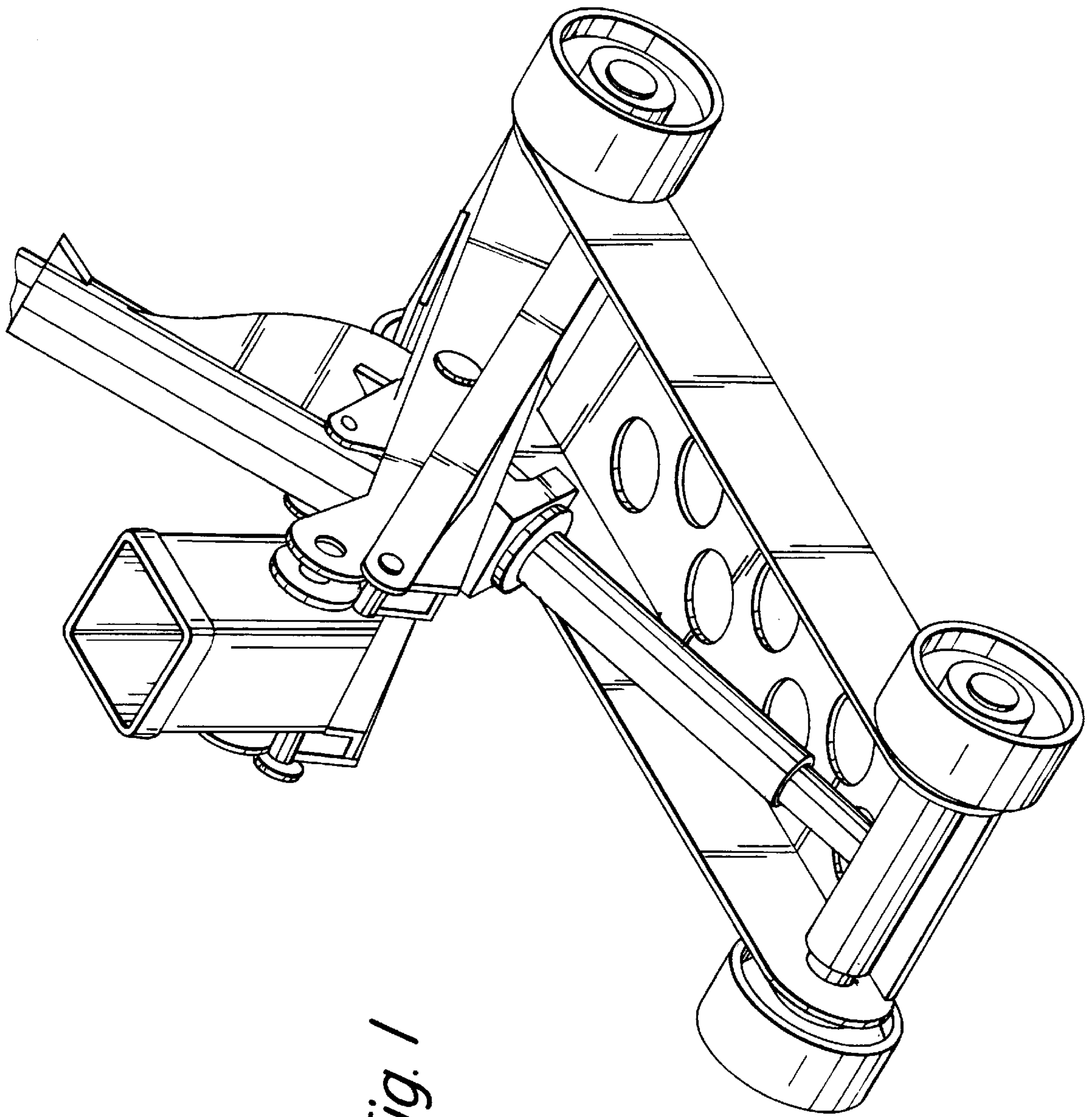
The ornamental design for a service jack, as shown and described.

**DESCRIPTION**

FIG. 1 is a perspective view of a service jack showing my new design with the jack with its lift arm in its raised position and the jack handle partially broken away;  
FIG. 2 is a left side elevational view thereof;  
FIG. 3 is a left side elevational view of the service jack of FIG. 1 with its lift arm in its lowered position;  
FIG. 4 is a top plan view of the service jack of FIG. 1 with its lift arm in its lowered position;  
FIG. 5 is a bottom plan view of the service jack of FIG. 1 with the lift arm in its lowered position;  
FIG. 6 is a rear elevational view of the service jack of FIG. 1 with the lift arm in its raised position; and,  
FIG. 7 is a front elevational view of the service jack of FIG. 1 with the lift arm in its raised position.  
The handle is partially broken away to show indefinite length.

1 Claim, 7 Drawing Sheets





*Fig. 1*

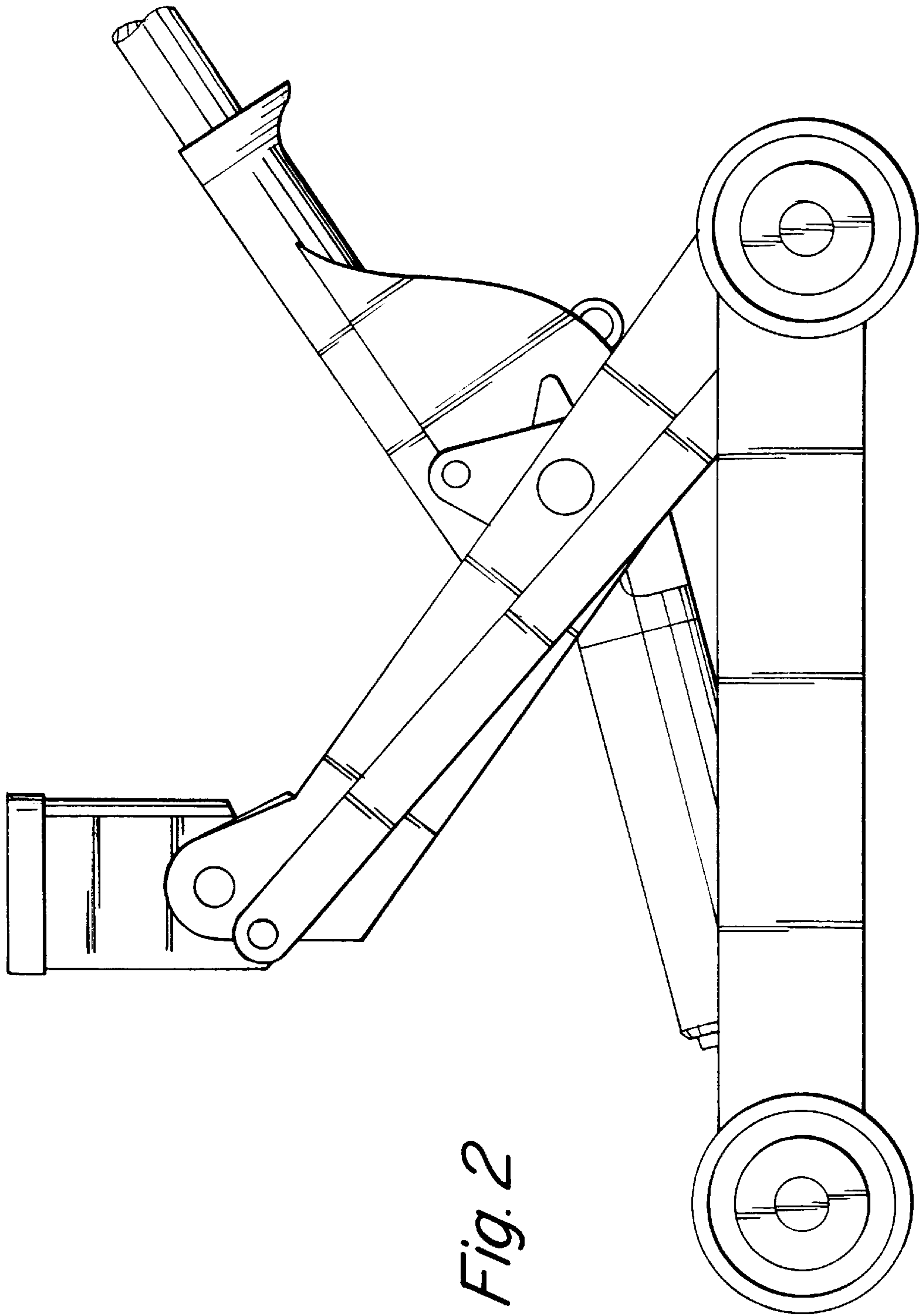
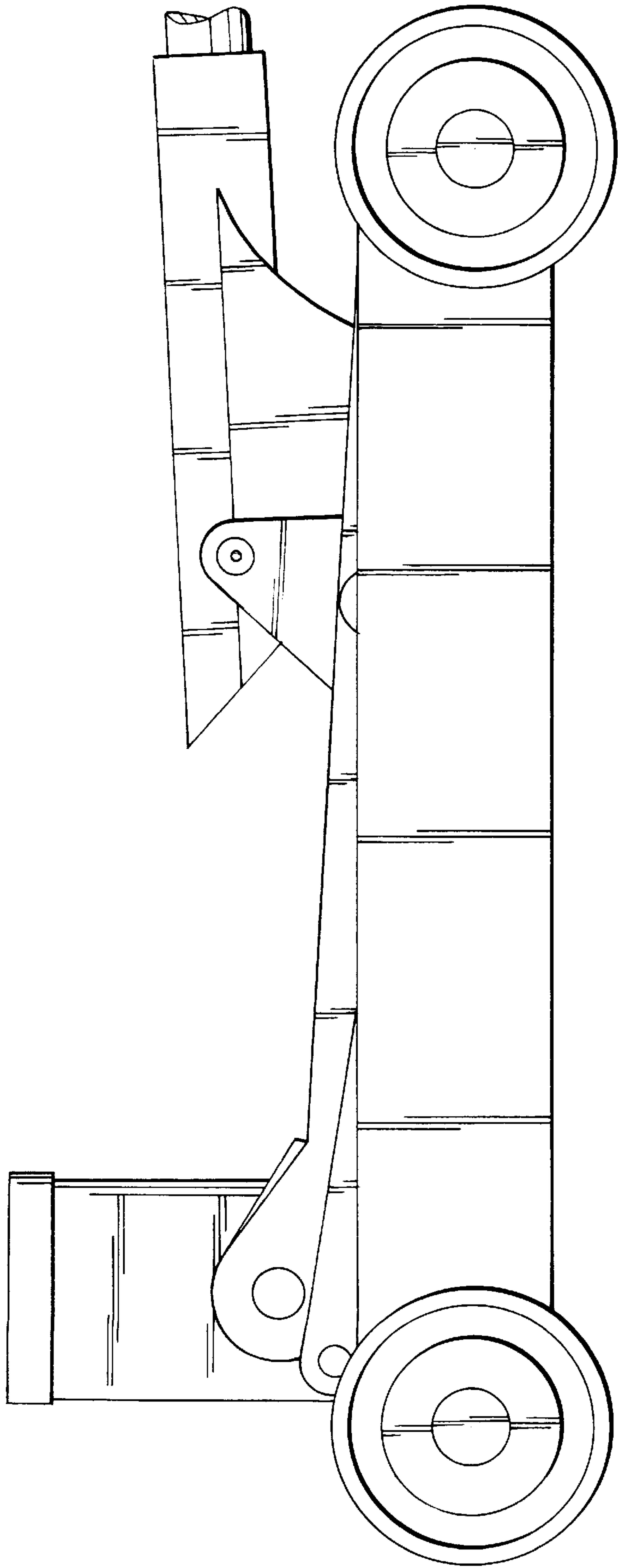
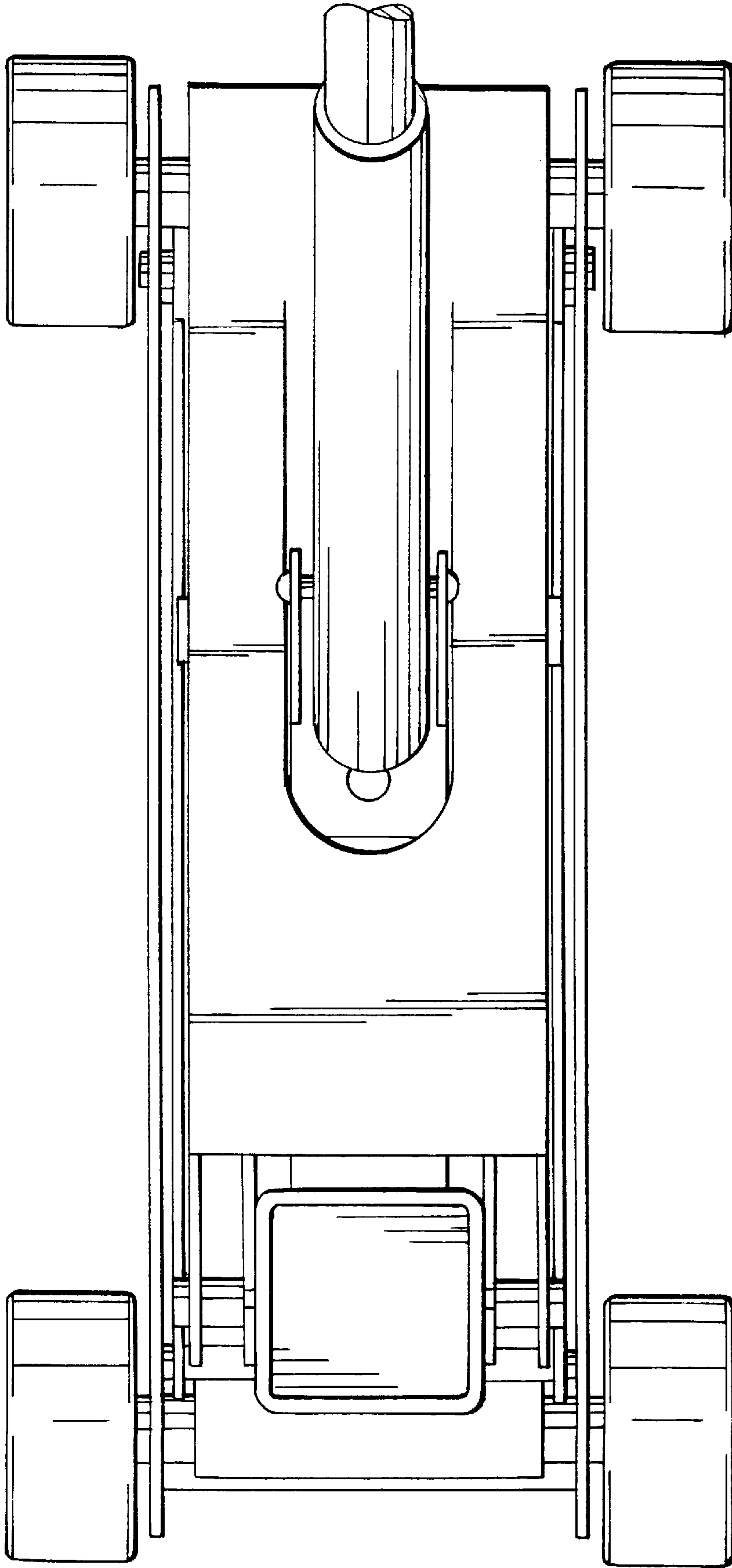


Fig. 2

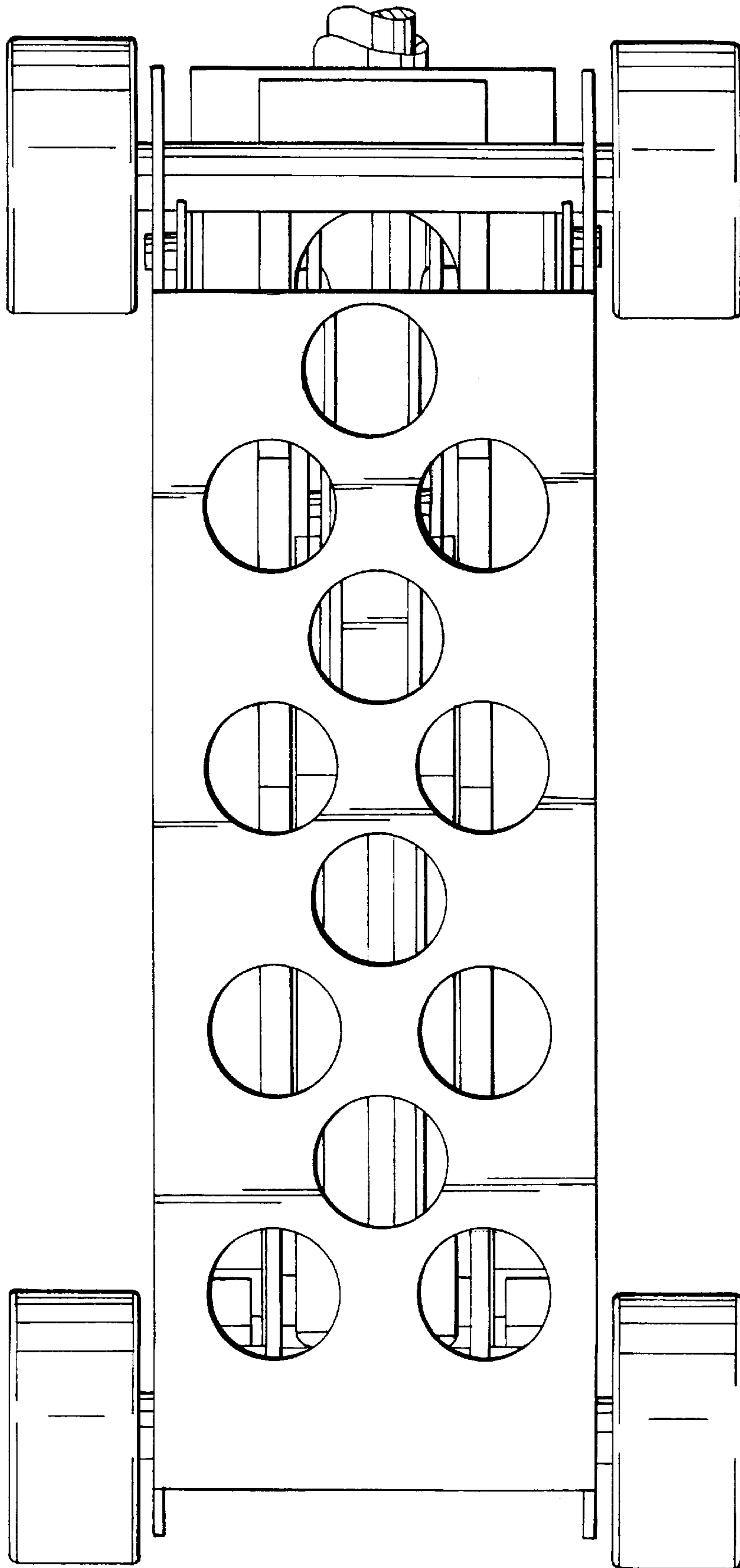


*Fig. 3*

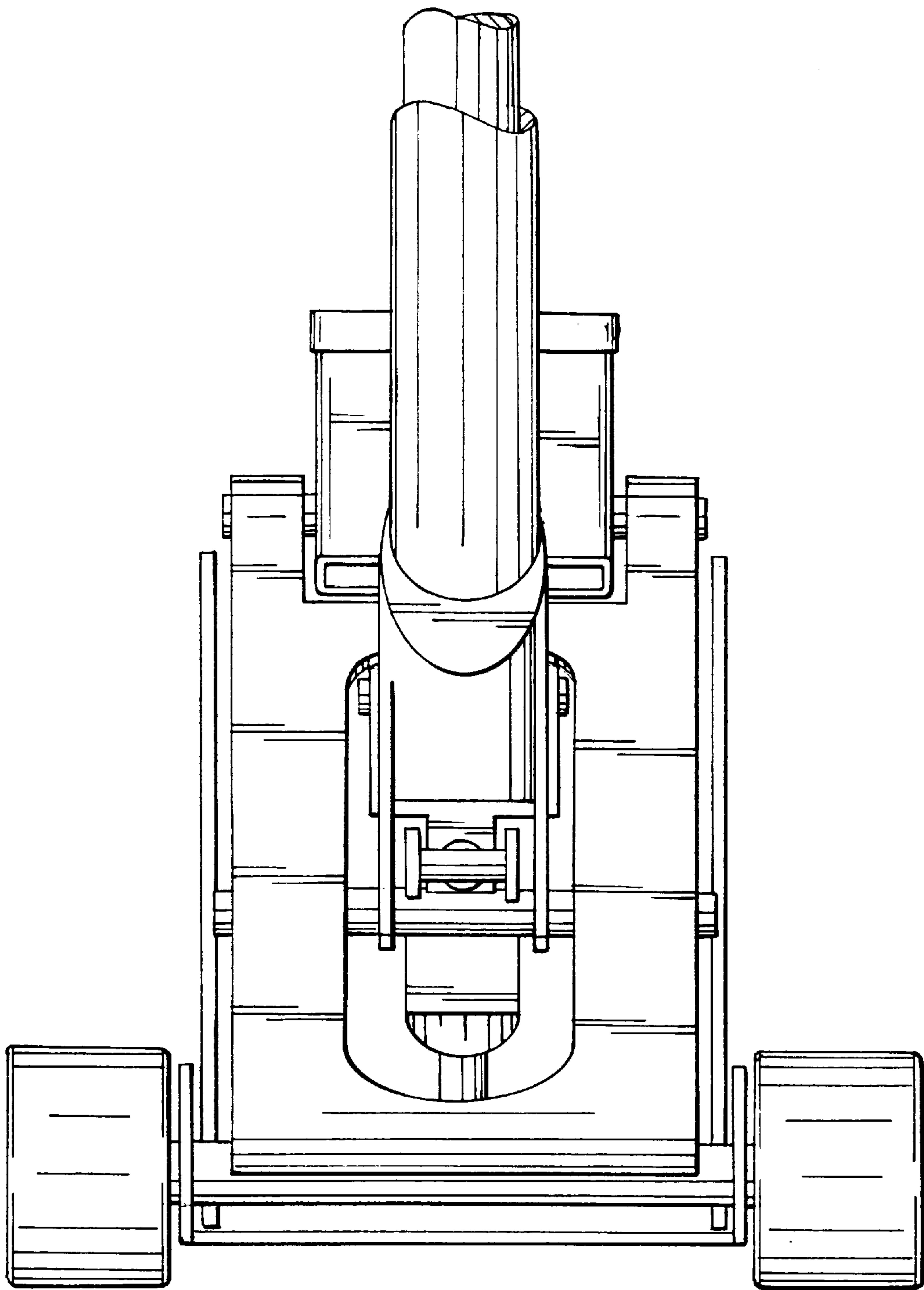




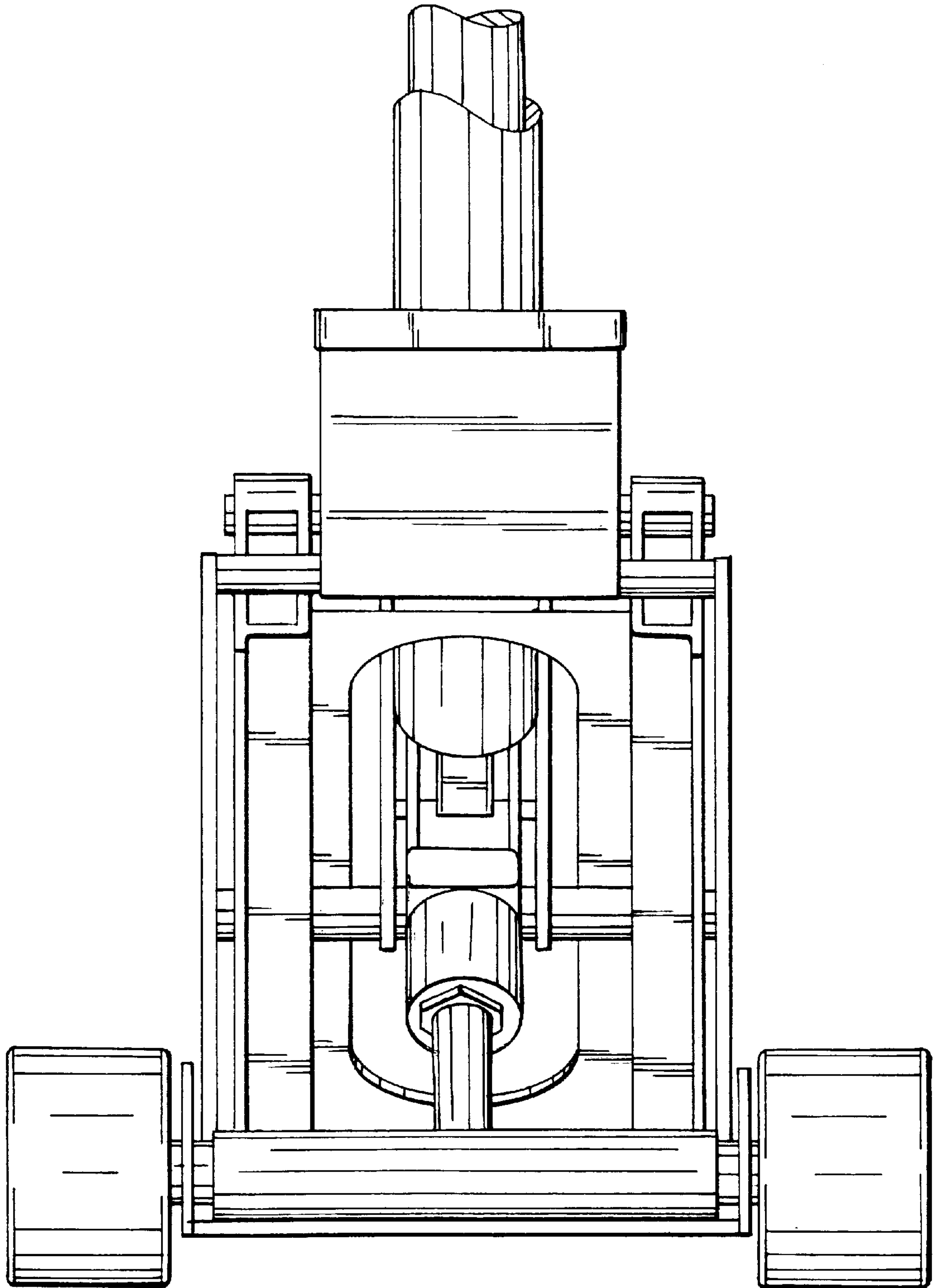
*Fig. 4*



*Fig. 5*



*Fig. 6*



*Fig. 7*