



US00D425281S

United States Patent [19] Ridge

[11] **Patent Number: Des. 425,281**

[45] **Date of Patent: ** May 16, 2000**

[54] **CAR JACK APPLIANCE**

[76] Inventor: **Ralph B. Ridge**, 5085 N. Mesa Dr.,
Castle Rock, Colo. 80104

[**] Term: **14 Years**

[21] Appl. No.: **29/107,010**

[22] Filed: **Jun. 24, 1999**

[51] **LOC (7) Cl. 12-05**

[52] **U.S. Cl. D34/31; D34/35**

[58] **Field of Search D34/31, 35, 28;**
254/93 R, 1, 8 R, 2 R, 11, 12, 13; D12/197;
D13/183

D. 341,016 11/1993 Wada et al. D34/35
D. 347,920 6/1994 Sell D34/35
D. 356,881 3/1995 Lisowski D34/35
D. 356,882 3/1995 Lisowski D34/35
D. 412,769 8/1999 Petrovic D34/29

Primary Examiner—Susan J. Lucas
Assistant Examiner—Cynthia E. Ramirez
Attorney, Agent, or Firm—Dorr, Carson, Sloan & Birney,
P.C.

[57] CLAIM

The ornamental design for a car jack appliance, as shown and described.

DESCRIPTION

FIG. 1 is a top perspective view of the car jack appliance. FIG. 2 is a top view of the car jack appliance. FIG. 3 is a right side view of the car jack appliance, the left side being the same. FIG. 4 is a front side view of the car jack appliance, the rear being the same; and, FIG. 5 is a bottom view of the car jack appliance.

[56] References Cited

U.S. PATENT DOCUMENTS

D. 123,083 10/1940 Guild D34/35
D. 208,913 10/1967 Techtmann D13/183
D. 227,660 7/1973 Konno D34/28
D. 229,698 12/1973 Kretzer D13/183
D. 337,411 7/1993 Smith D34/35
D. 337,994 8/1993 Herrera D13/183

1 Claim, 2 Drawing Sheets

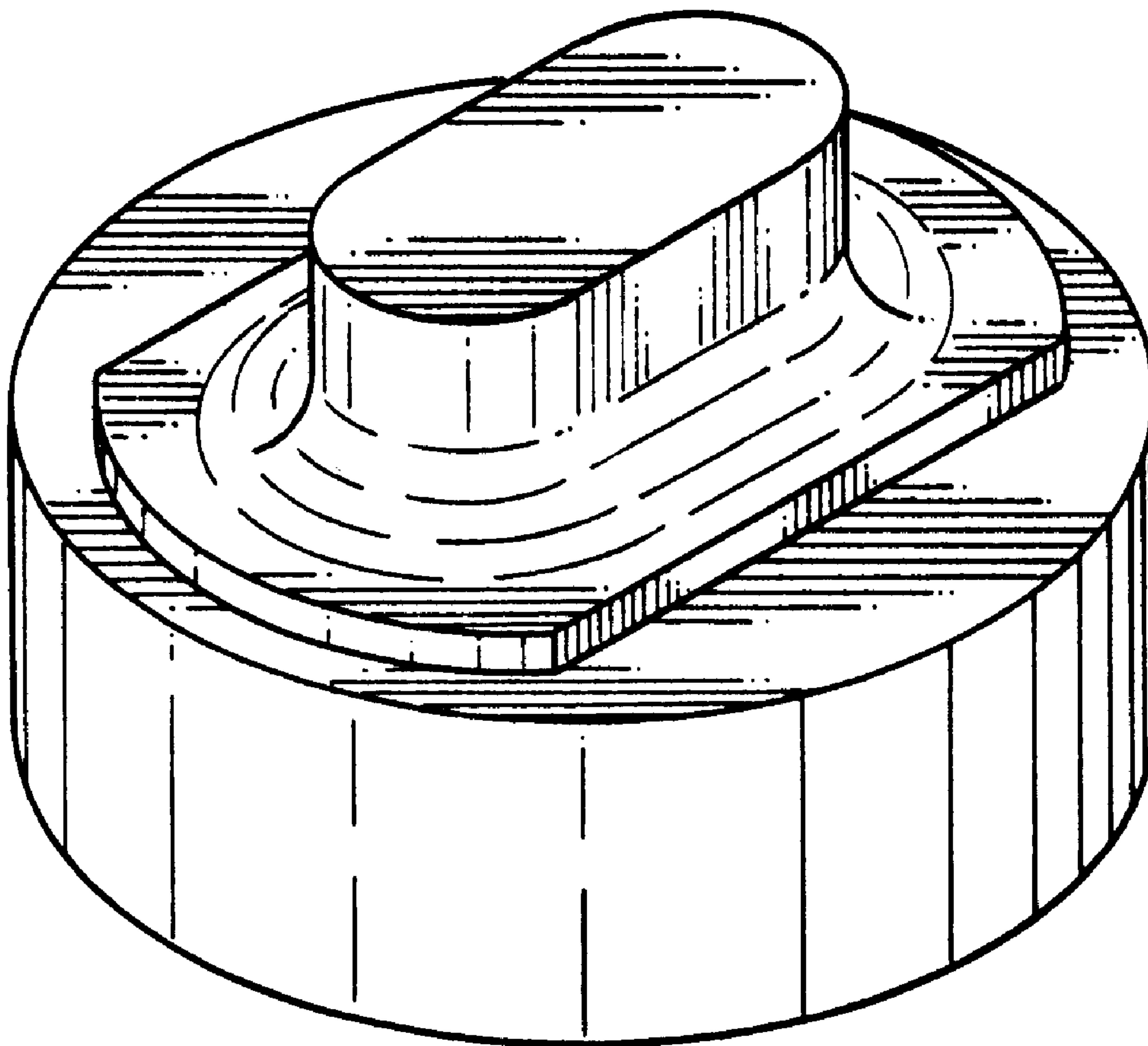


Fig. 1

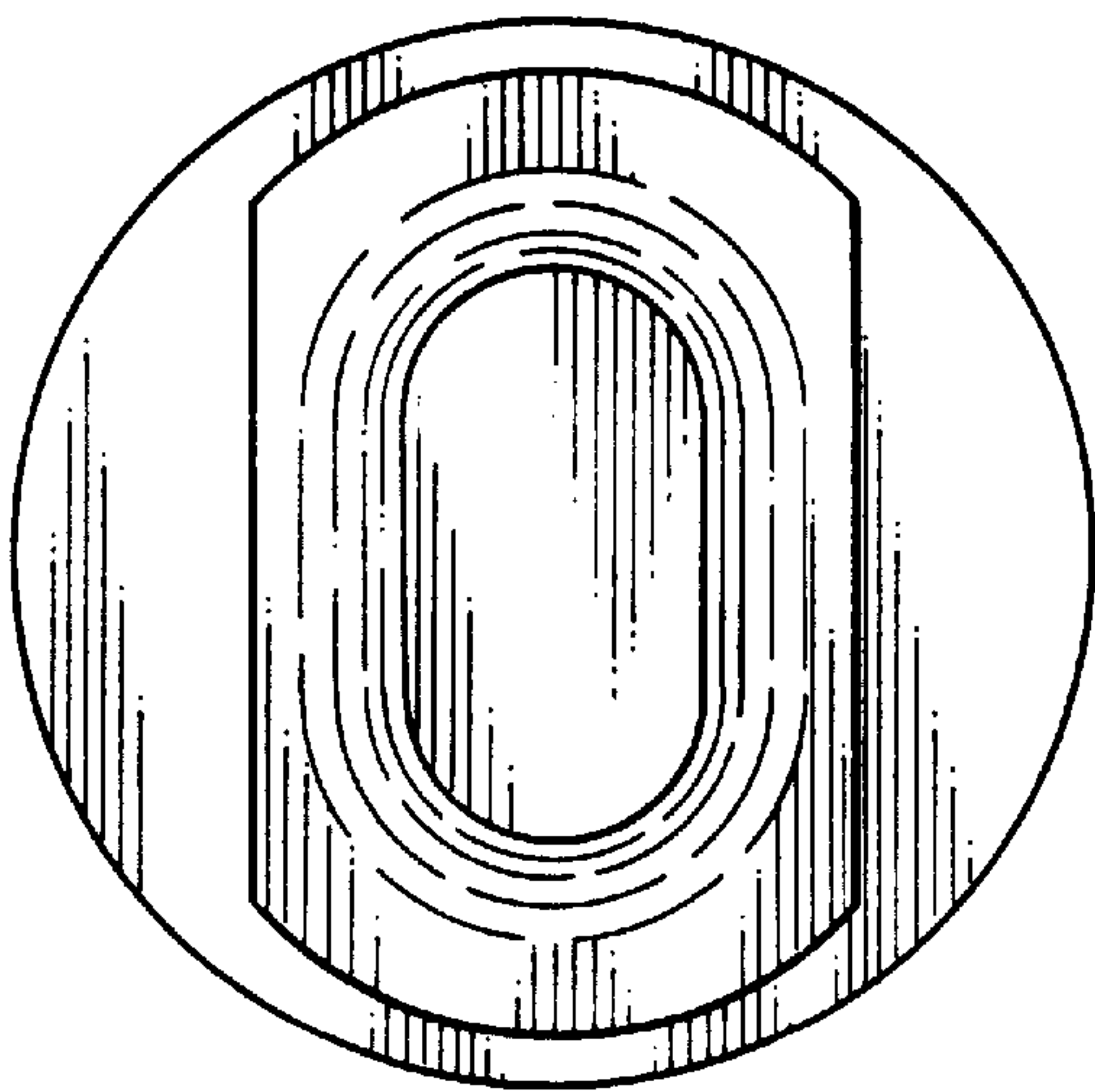
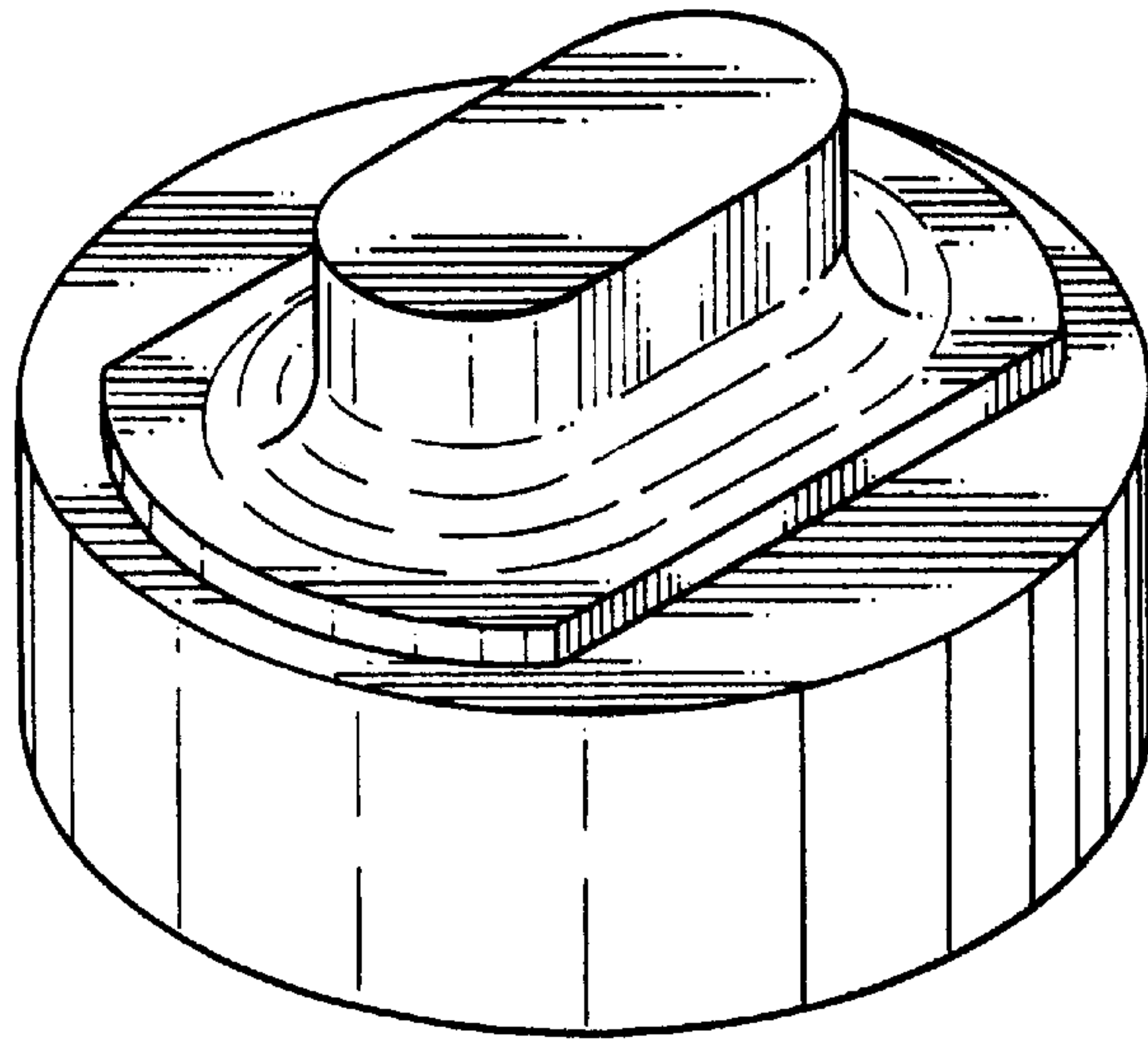


Fig. 2

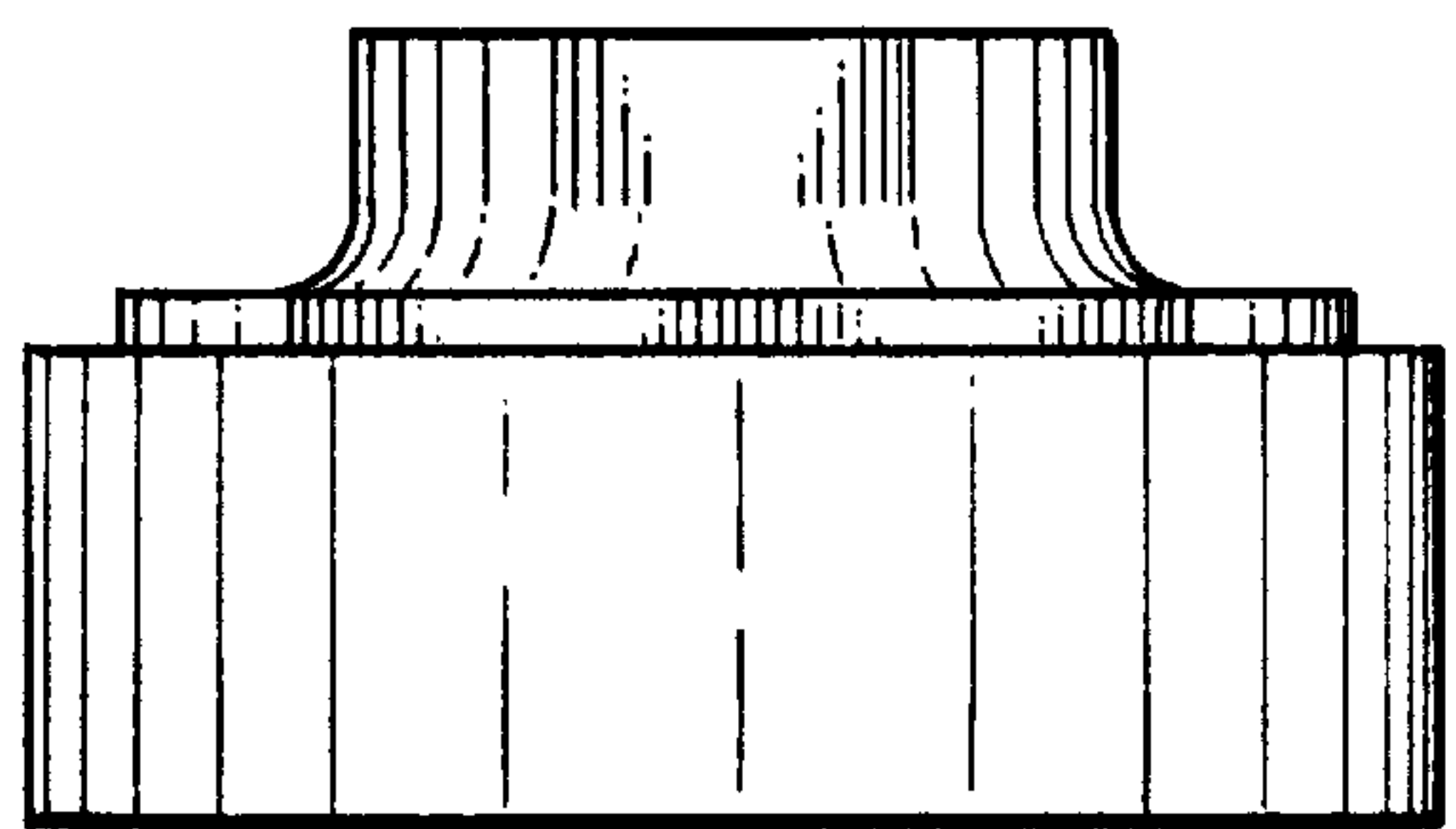


Fig. 3

Fig. 4

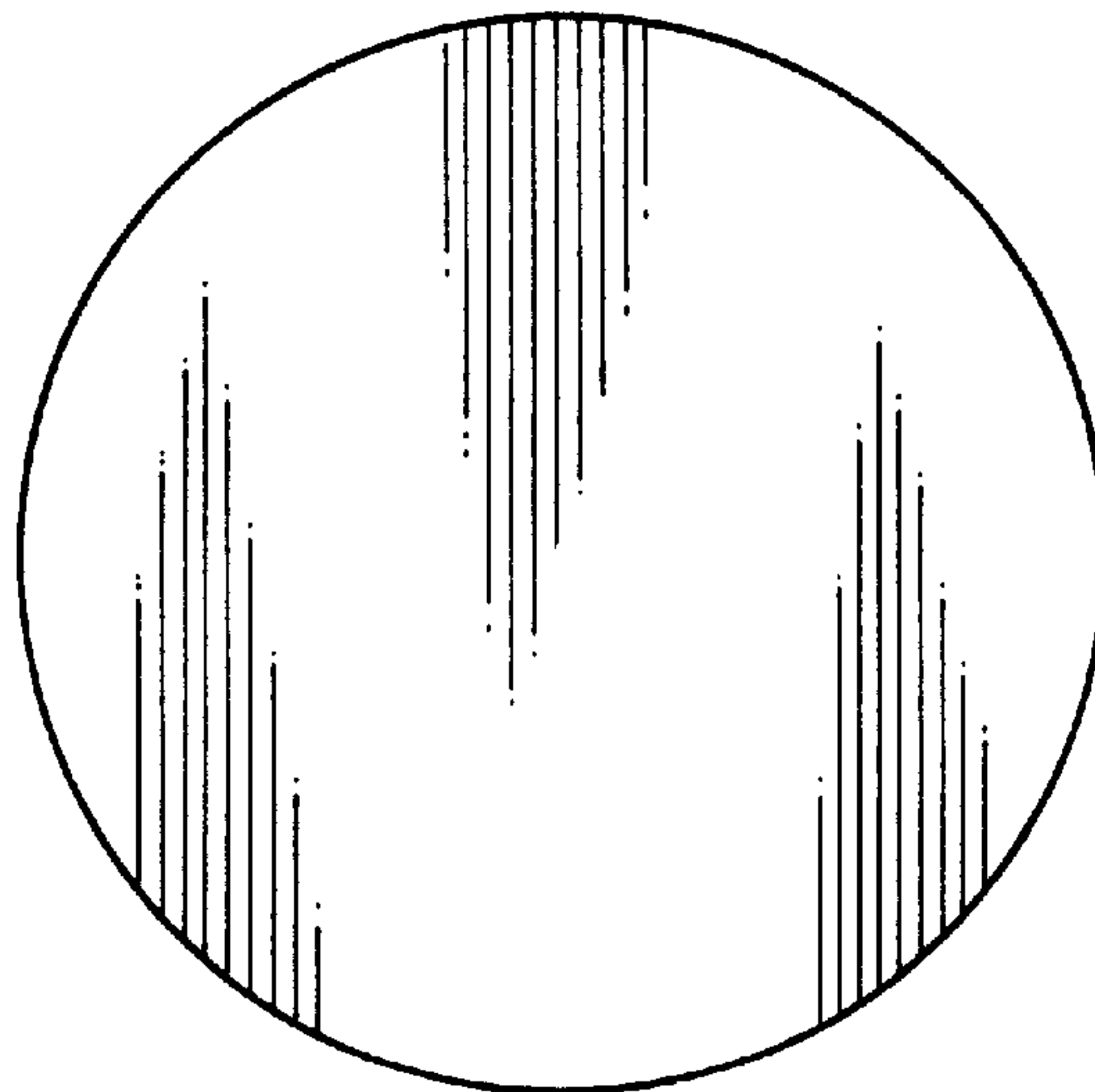
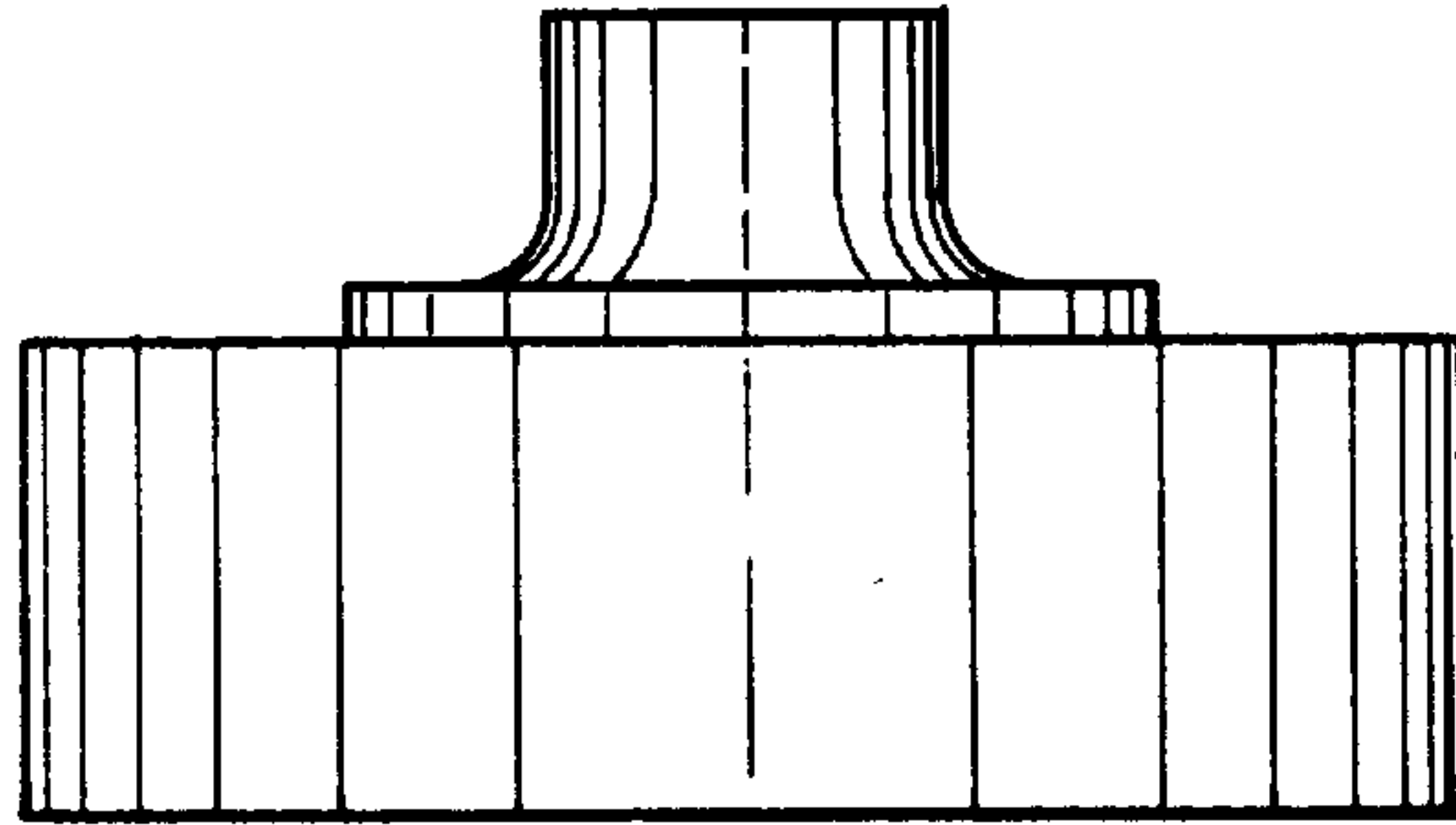


Fig. 5