



US00D425277S

United States Patent [19] Kent

[11] **Patent Number: Des. 425,277**

[45] **Date of Patent: ** May 16, 2000**

[54] **BUCKET LINER**

[75] Inventor: **David D. Kent**, Mission Viejo, Calif.

[73] Assignee: **Kenmont Industries, LLC**, Santa Ana, Calif.

[**] Term: **14 Years**

[21] Appl. No.: **29/107,037**

[22] Filed: **Jun. 28, 1999**

[51] **LOC (7) Cl.** **07-07**

[52] **U.S. Cl.** **D32/53; D32/54**

[58] **Field of Search** D32/53, 53.1, D32/54; 15/264; 220/694, 702, 904, 495.02, 4.01, 4.24, 23.6; 206/216, 515

[56] **References Cited**

U.S. PATENT DOCUMENTS

- D. 73,649 10/1927 Eiffe D32/53
- D. 331,992 12/1992 Sheridan D32/53.1
- D. 364,017 11/1995 Moffitt D32/53.1

- D. 415,864 10/1999 Axhamre D32/54
- 1,734,352 11/1929 Smith et al. 15/264
- 2,896,809 7/1959 Metzger et al. 206/515
- 4,122,913 10/1978 Ahern 220/404
- 5,086,917 2/1992 Dziarsk et al. 220/904

Primary Examiner—Robin V. Taylor
Attorney, Agent, or Firm—Calif K. Tervo

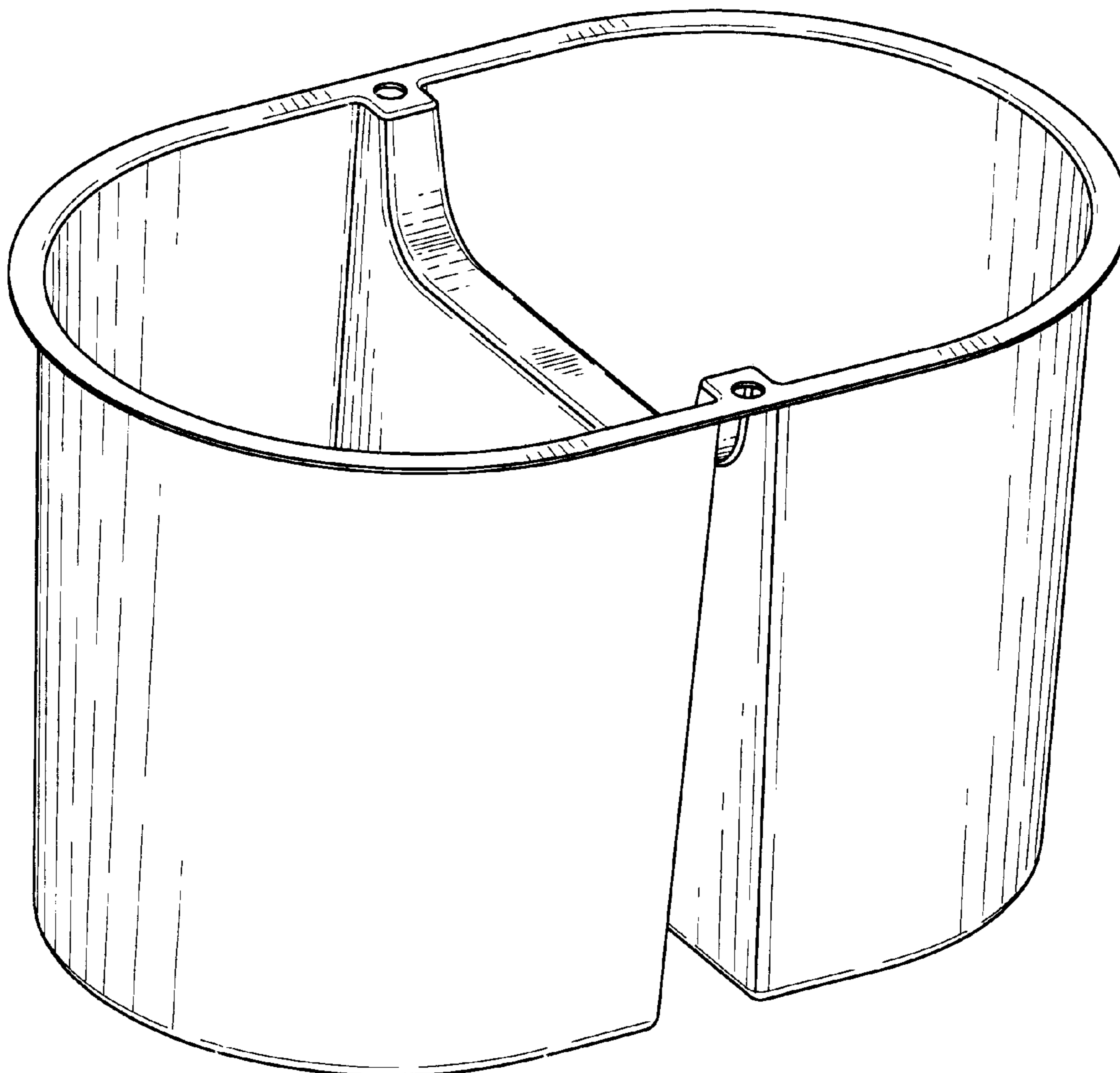
[57] **CLAIM**

The ornamental design for a bucket liner, as shown & described.

DESCRIPTION

FIG. 1 is a top perspective view of bucket liner showing my new design;
 FIG. 2 is a bottom prespective thereof
 FIG. 3 is a left elevation view thereof; the right side being a mirror image.
 FIG. 4 is a front elevation view thereof; the rear side being a mirror image; and,
 FIG. 5 is a top plan view thereof.

1 Claim, 2 Drawing Sheets



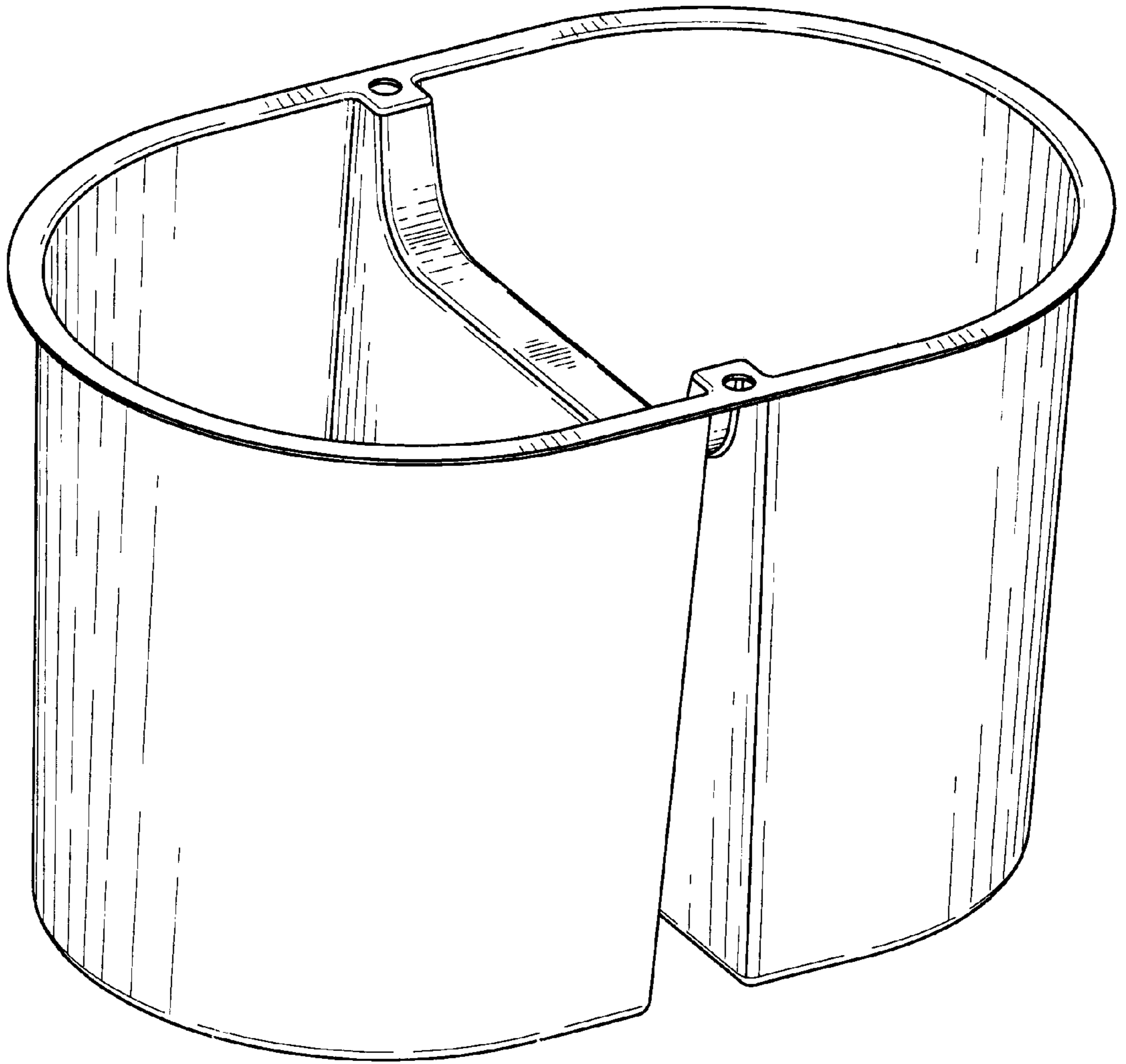


Fig. 1

Fig. 2

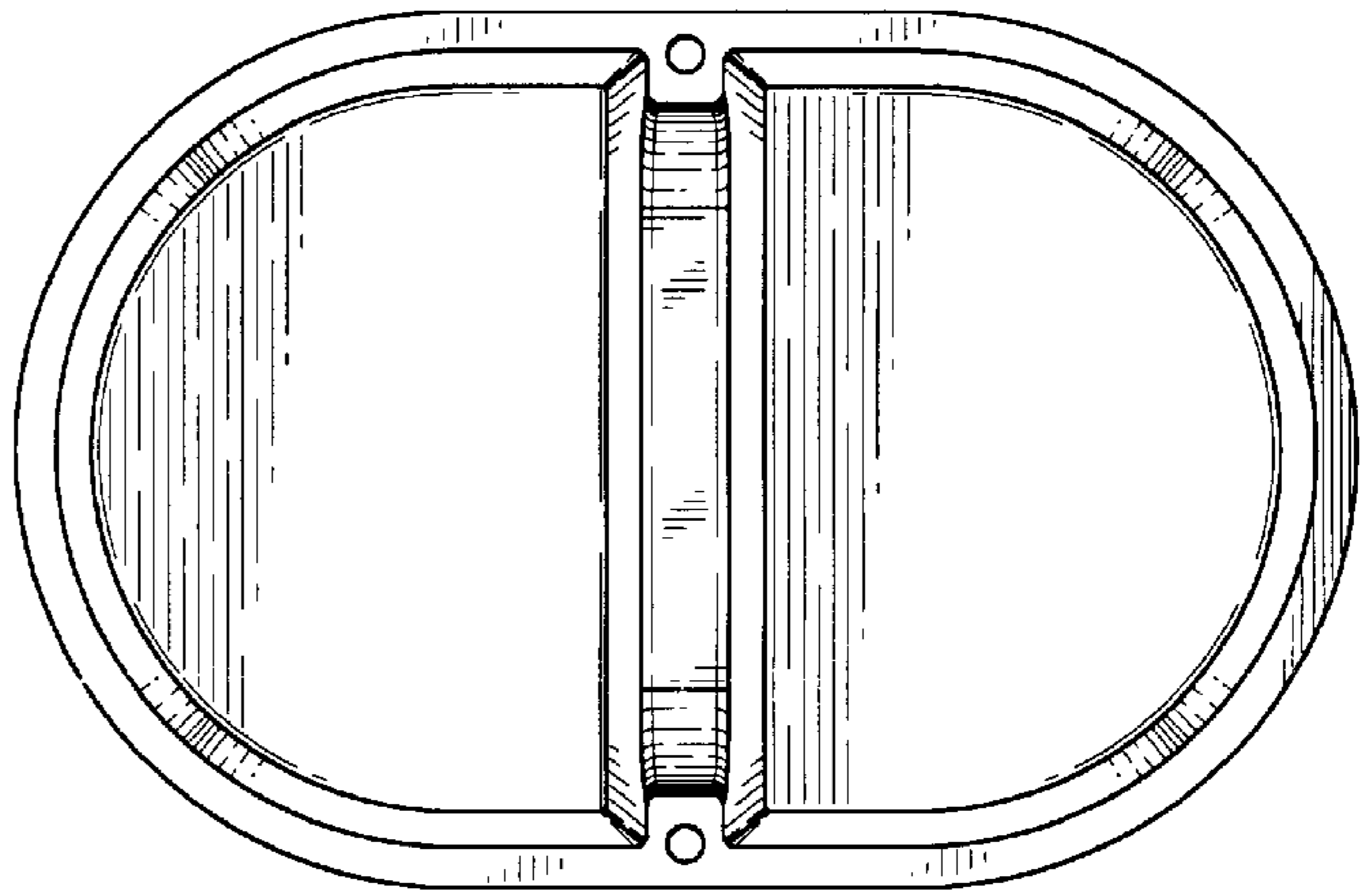


Fig. 3

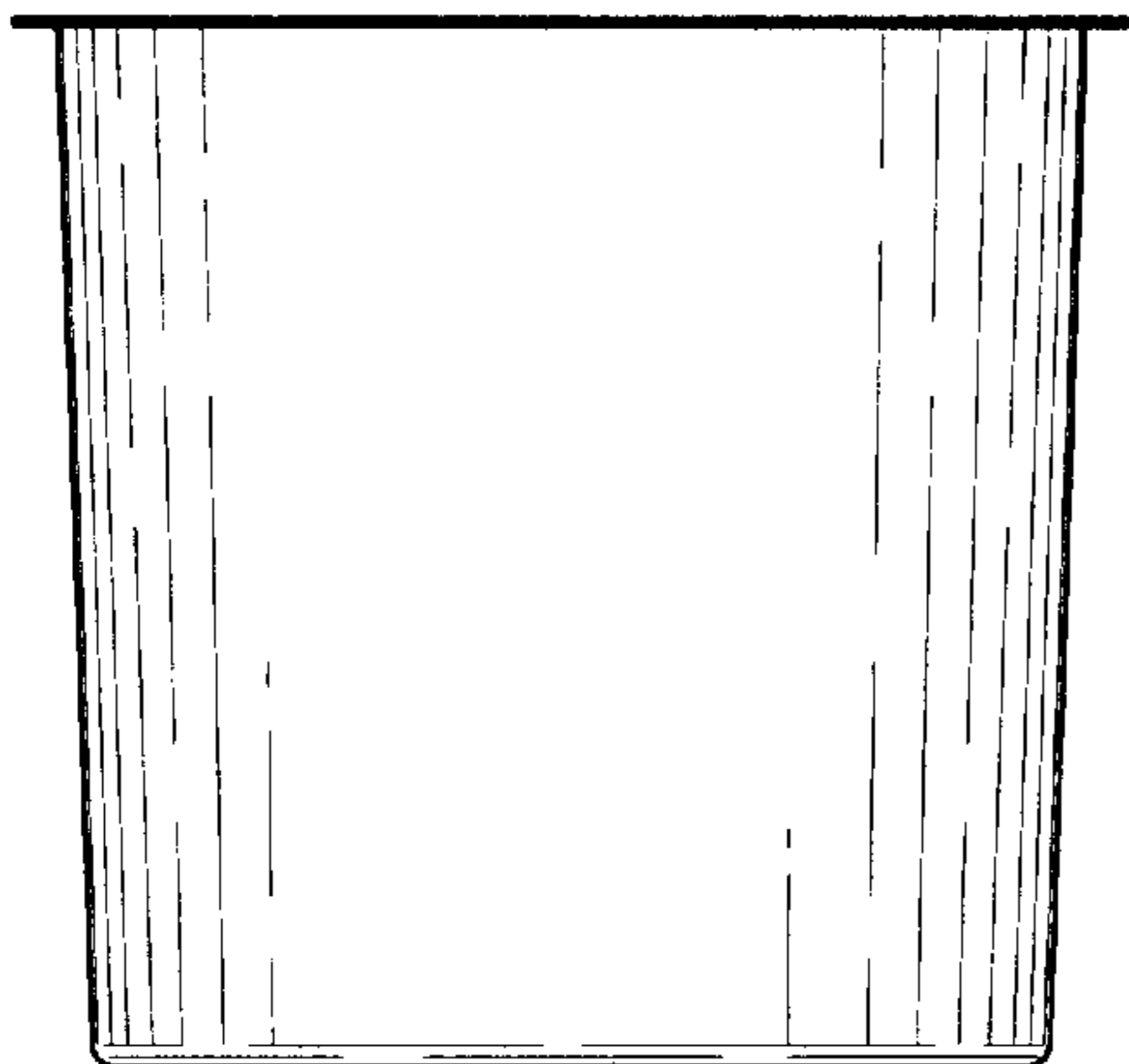


Fig. 4

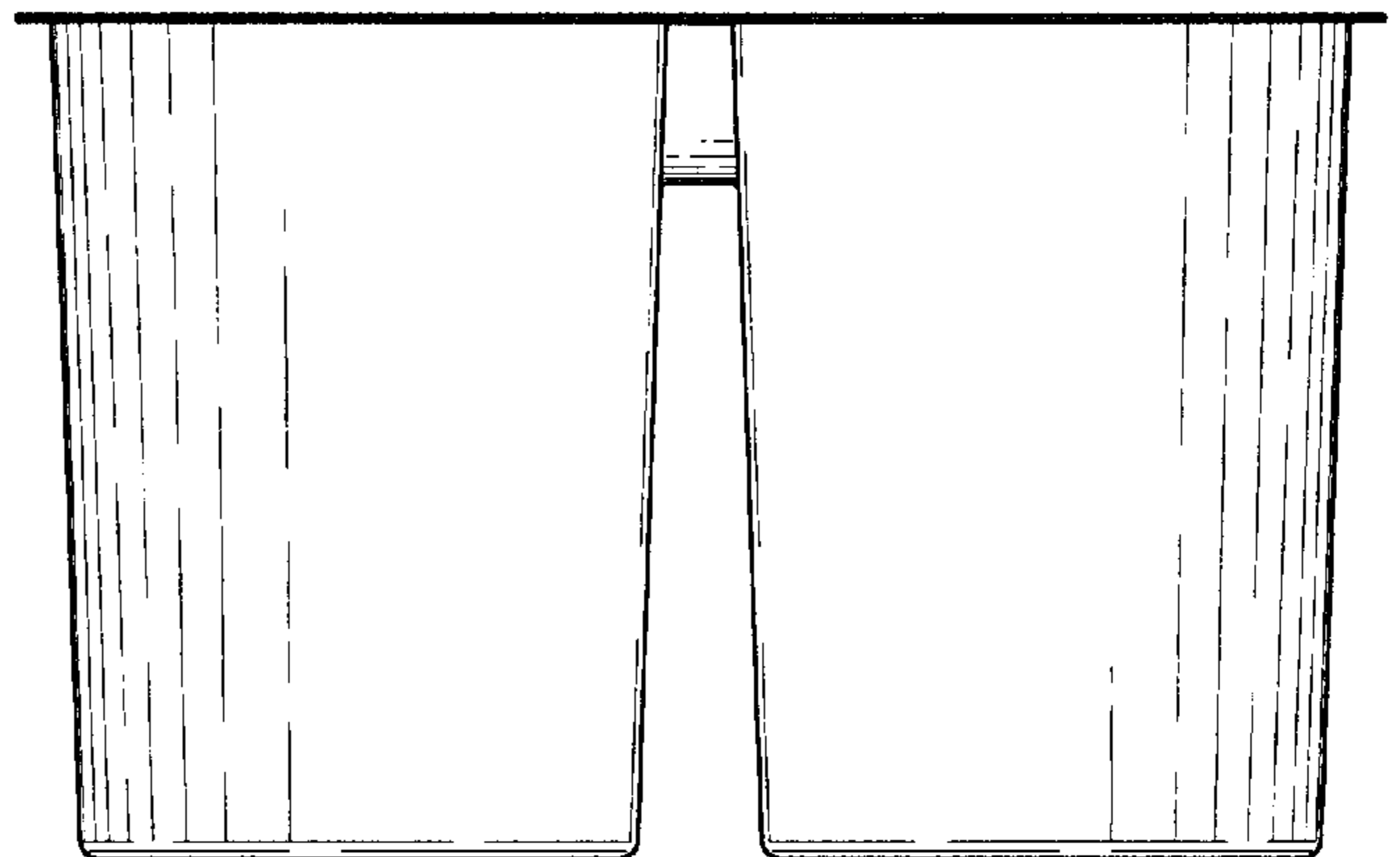


Fig. 5

