



US00D425272S

United States Patent [19] Wareham

[11] Patent Number: **Des. 425,272**

[45] Date of Patent: **** May 16, 2000**

[54] **VACUUM CLEANER NOZZLE**

[75] Inventor: **Richard A. Wareham**, North Canton, Ohio

[73] Assignee: **The Hoover Company**, North Canton, Ohio

[**] Term: **14 Years**

[21] Appl. No.: **29/104,308**

[22] Filed: **May 3, 1999**

[51] **LOC (7) Cl.** **15-05**

[52] **U.S. Cl.** **D32/31**

[58] **Field of Search** D32/21, 22, 25,
D32/31-33; 15/415.1-422.1, 321-322,
412, 414, 400, 350, 354, 362, 364, 367,
373

[56] **References Cited**

U.S. PATENT DOCUMENTS

D. 262,539	1/1982	Wareham	D32/22
D. 305,169	12/1989	Essex et al.	D32/31
D. 307,069	4/1990	Kieft	D32/22
D. 326,006	5/1992	Moine	D32/32
D. 333,892	3/1993	Wareham	D32/32
D. 338,990	8/1993	McKnight	D32/32
D. 346,052	4/1994	Saunders et al.	D32/22
D. 356,880	3/1995	Kieft	D32/31
D. 358,236	5/1995	Kopco et al.	D32/22
D. 379,695	6/1997	Africa	D32/33

D. 411,669	6/1999	Wareham	D32/32
D. 412,227	7/1999	Wareham et al.	D32/32
D. 412,380	7/1999	Wareham	D32/32

OTHER PUBLICATIONS

One picture of Hoover Sprint Upright Model U4257-930 Introduced Dec. 19, 1995.

One picture of Royal Featherlight Model 085360 Received Sep. 24, 1997.

Primary Examiner—Ruth McInroy

Attorney, Agent, or Firm—A. Burgess Lowe; Thomas R. Kingsbury

[57] **CLAIM**

The ornamental design of a vacuum cleaner nozzle, as shown and described.

DESCRIPTION

FIG. 1 is a perspective view of a vacuum cleaner nozzle showing my new design;

FIG. 2 is a front elevational view thereof;

FIG. 3 is a left side elevational view thereof;

FIG. 4 is a right side elevational view thereof;

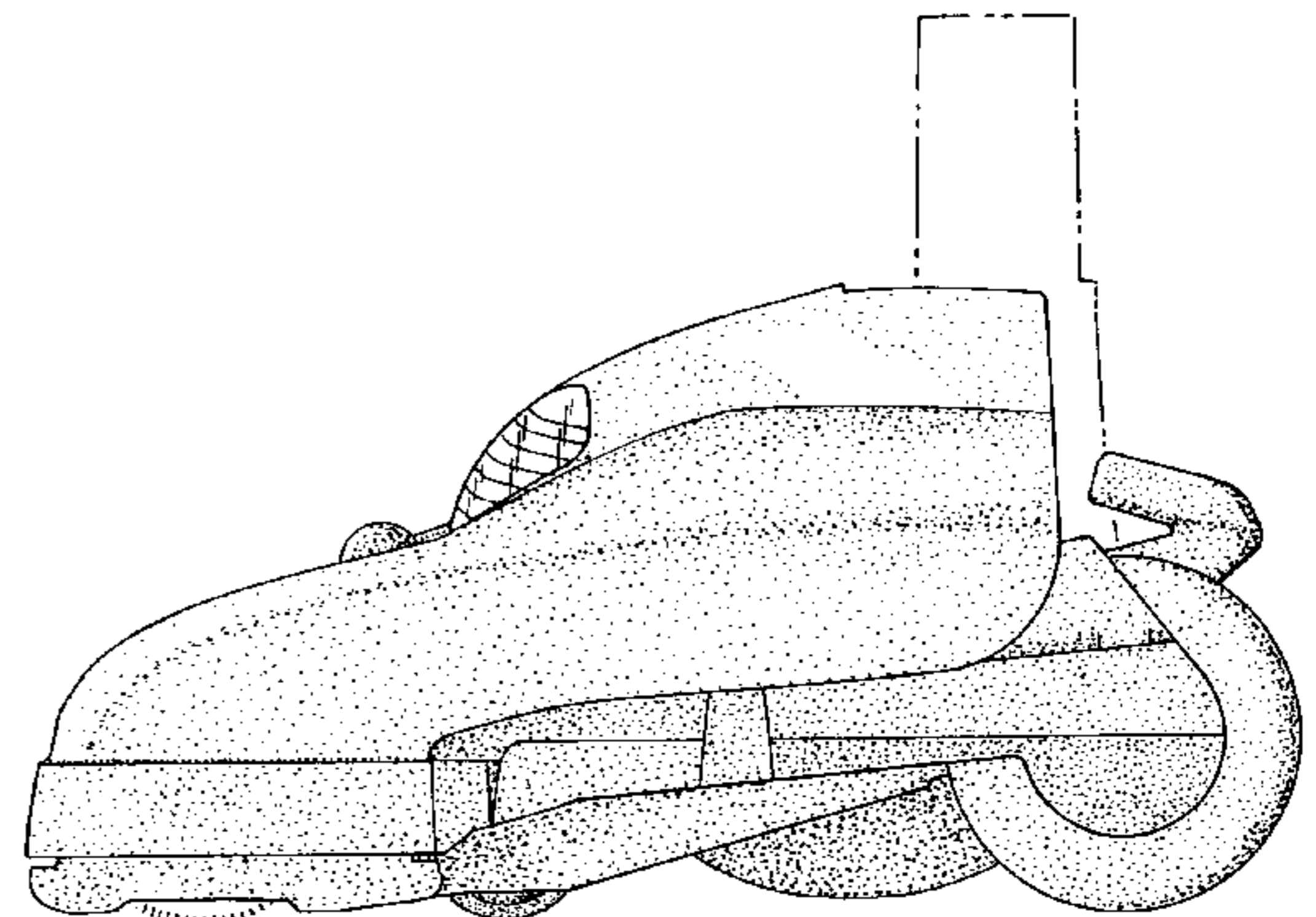
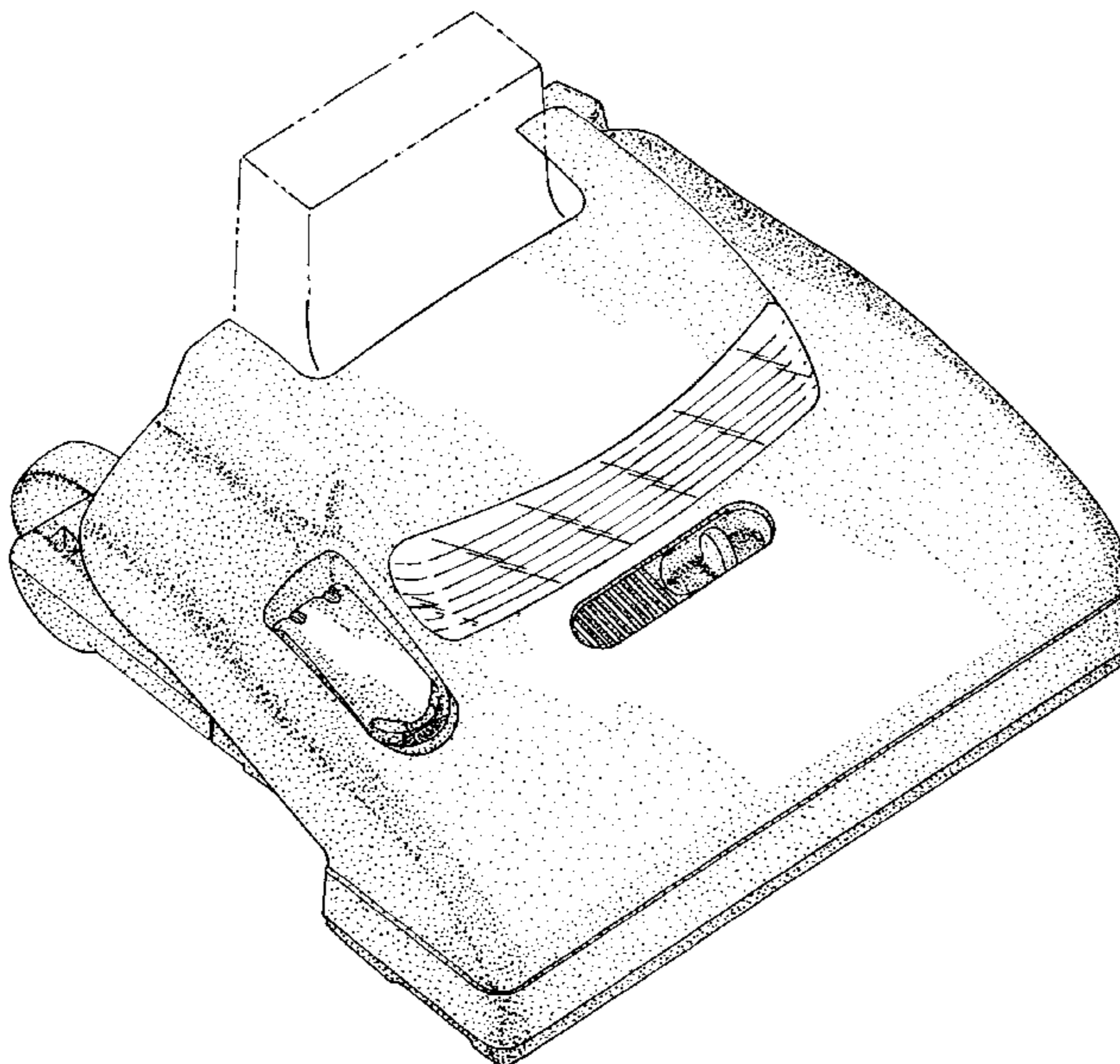
FIG. 5 is a top plan view thereof;

FIG. 6 is a rear elevational view thereof; and,

FIG. 7 is a bottom plan view thereof.

The portion of the vacuum cleaner nozzle shown in broken lines is for illustrative purposes only and forms no part of the claimed design.

1 Claim, 4 Drawing Sheets



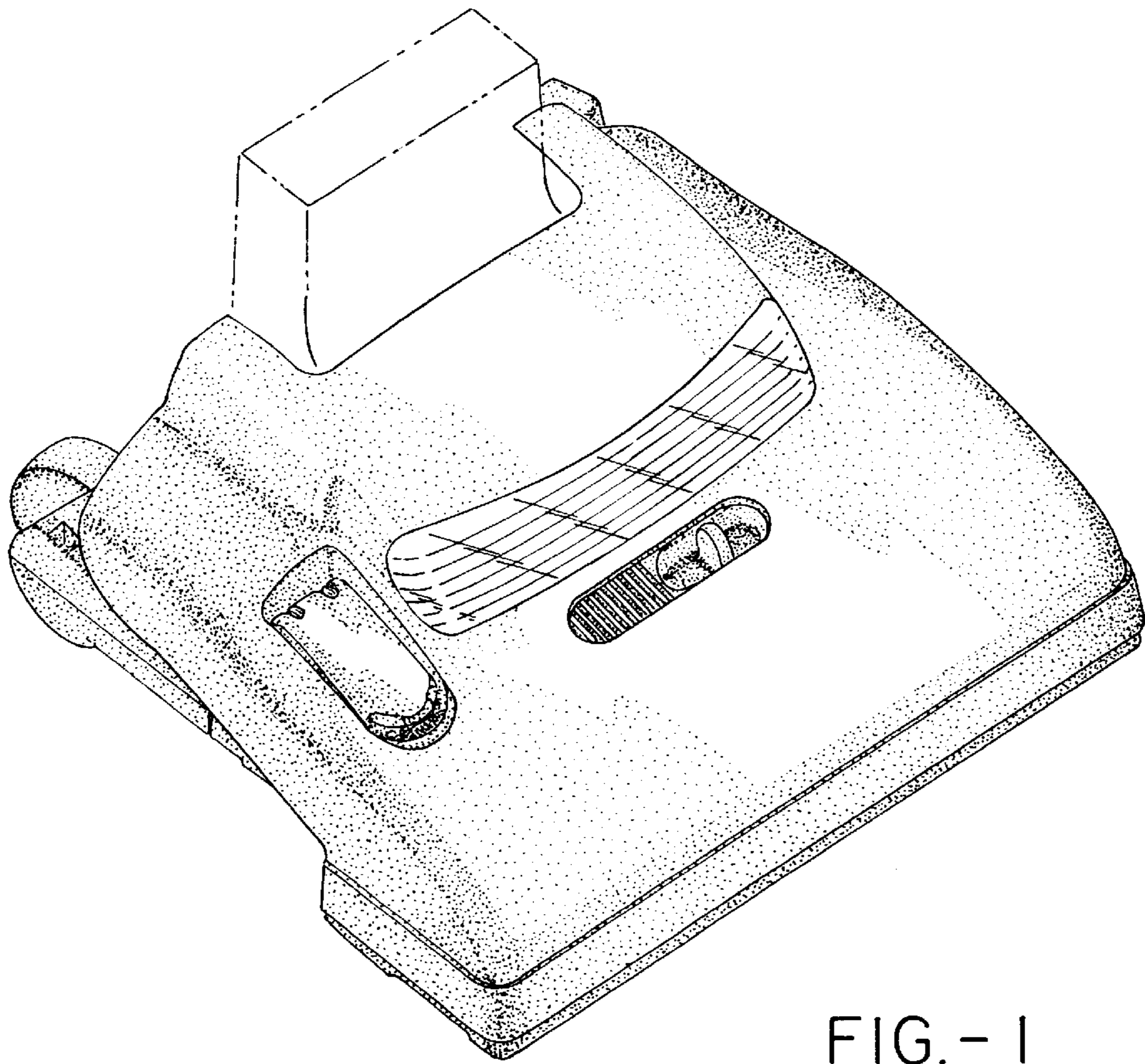


FIG. - 1

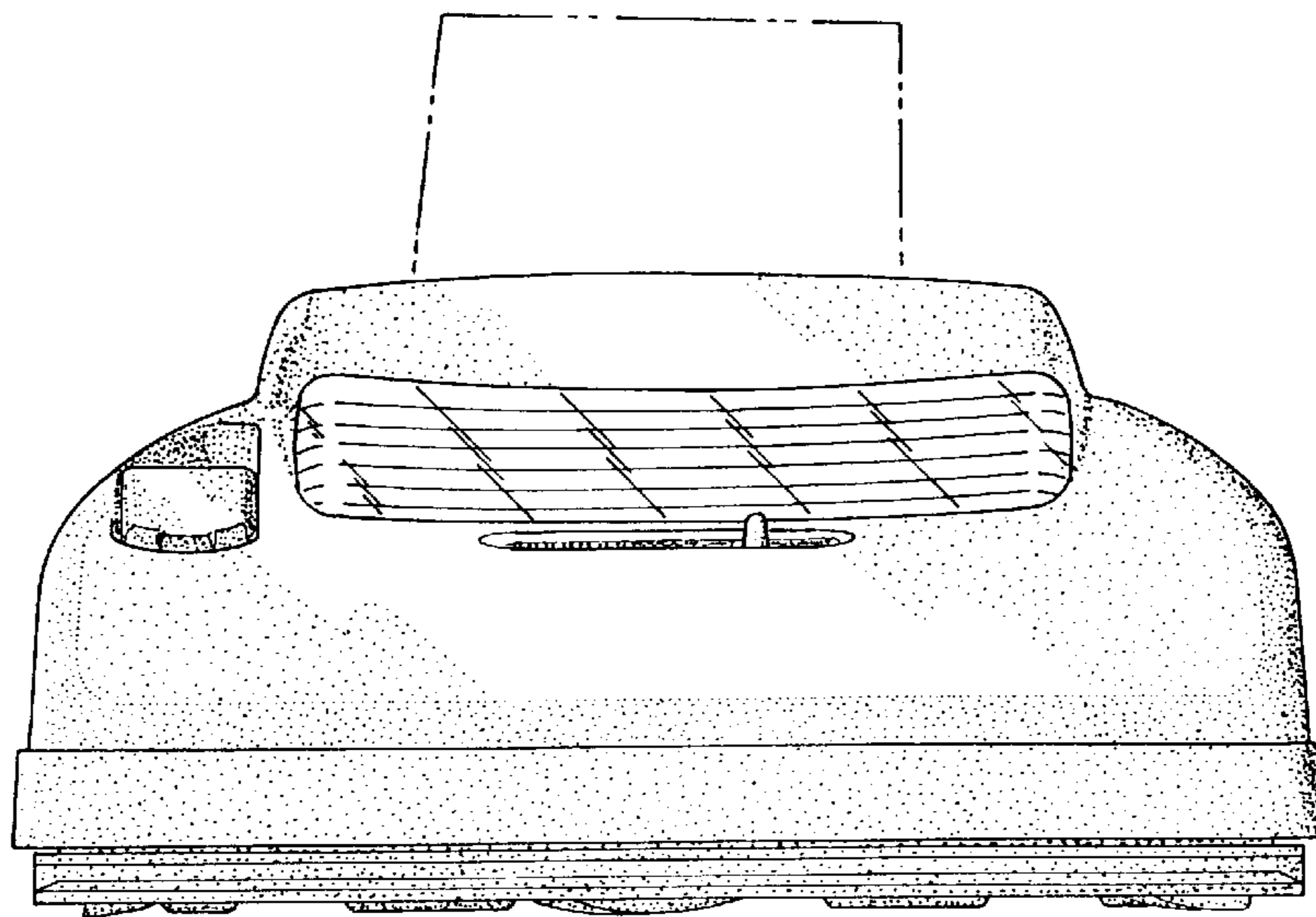


FIG. - 2

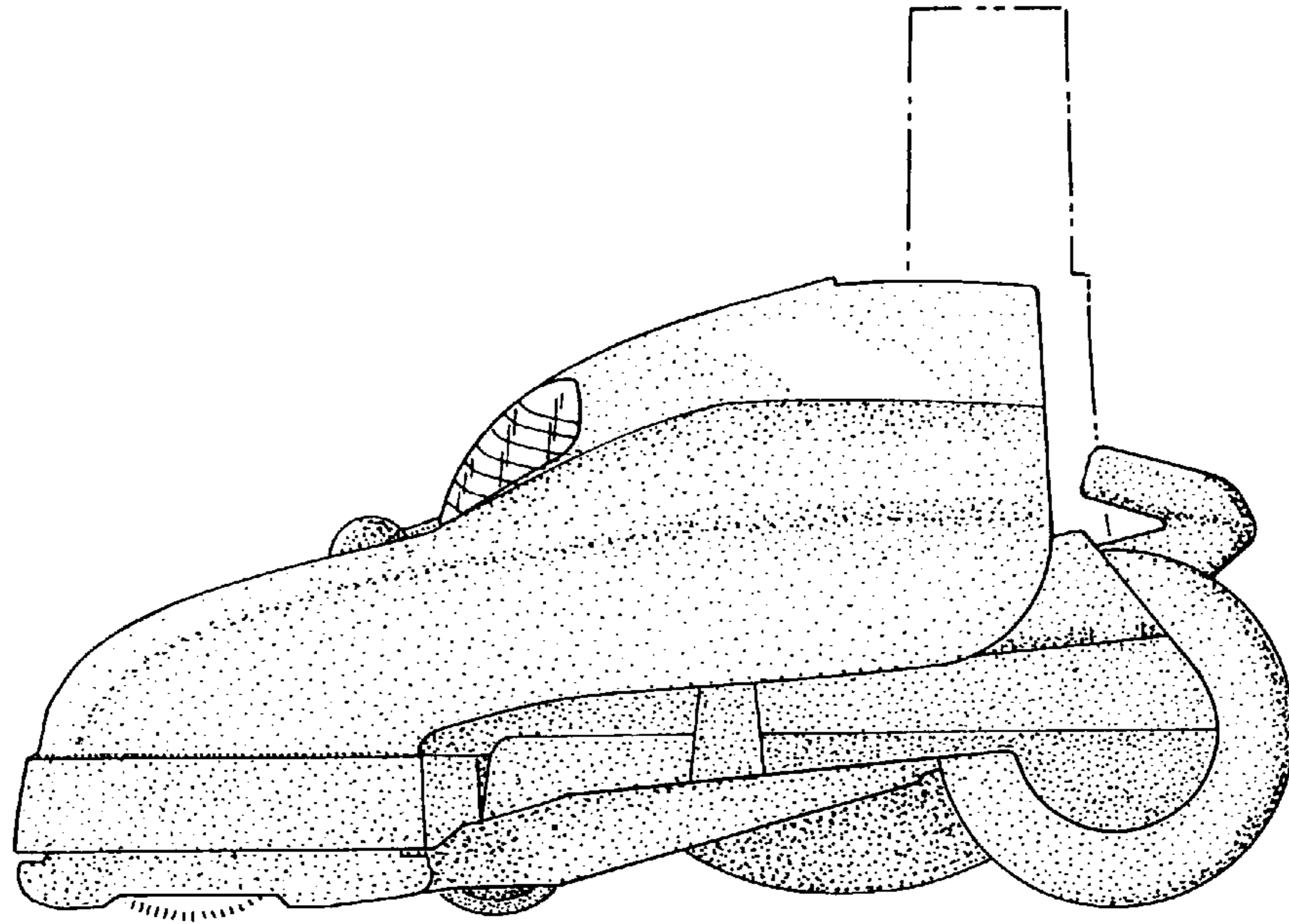


FIG. - 3

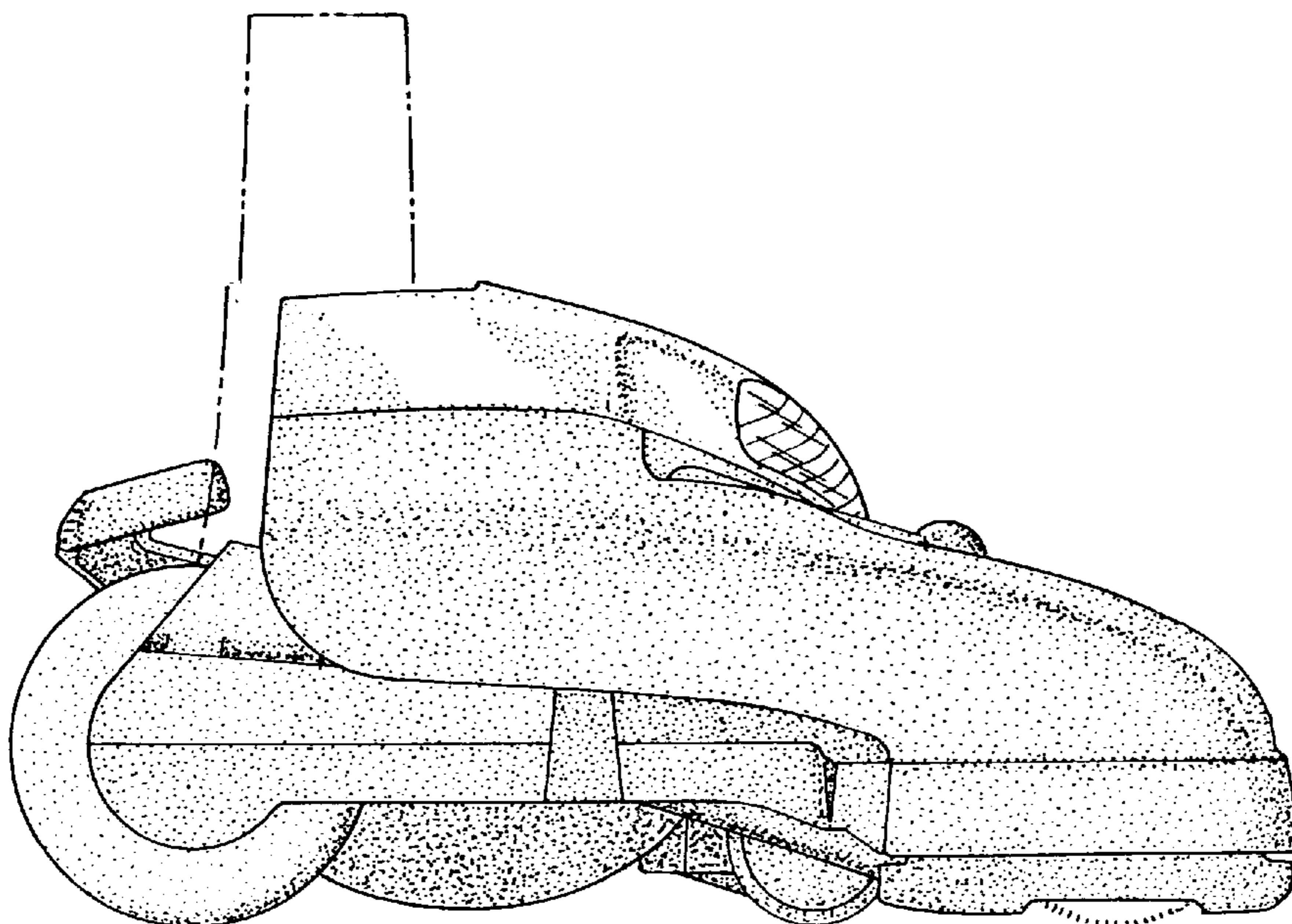


FIG. - 4

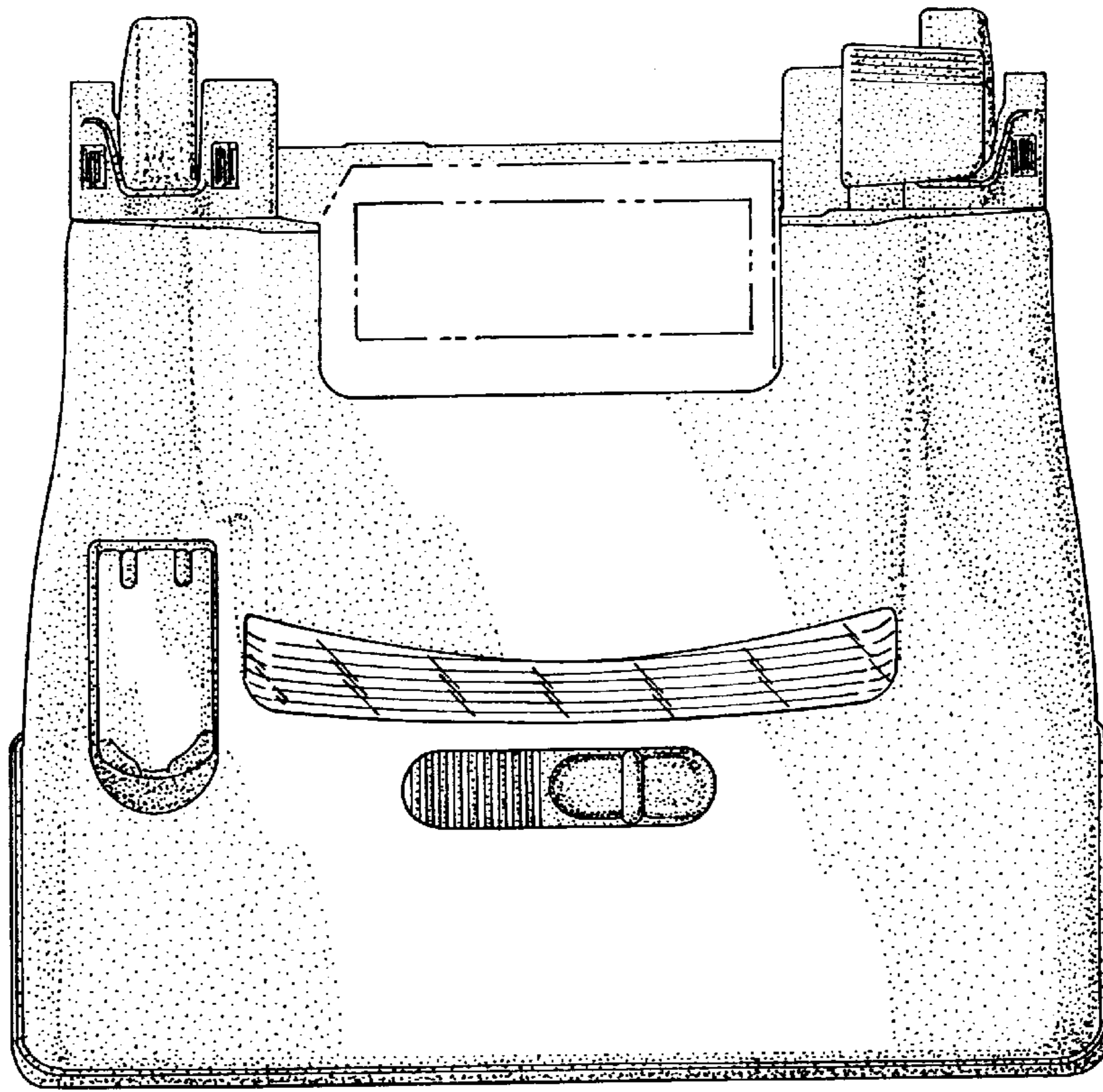


FIG. - 5

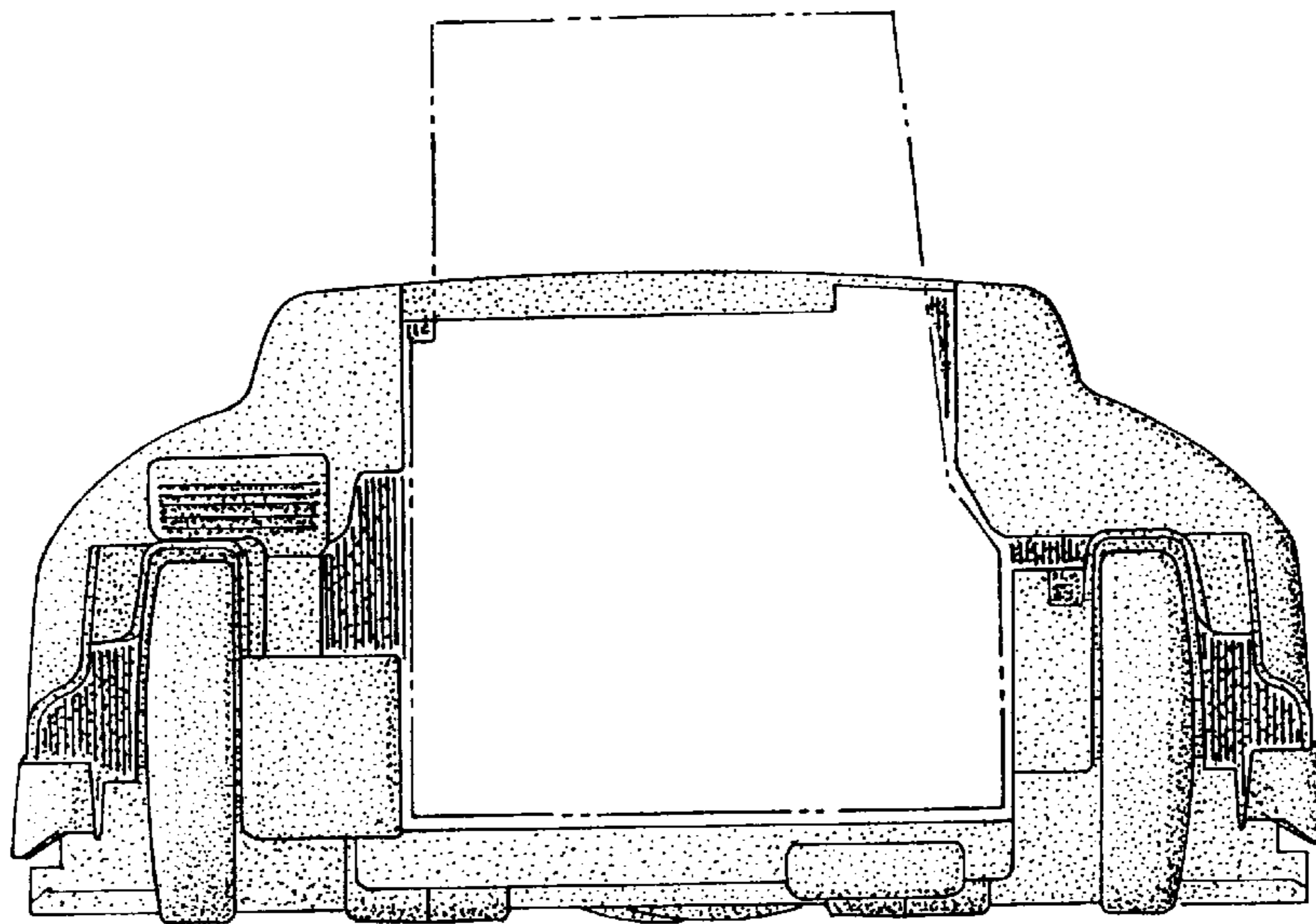


FIG. - 6

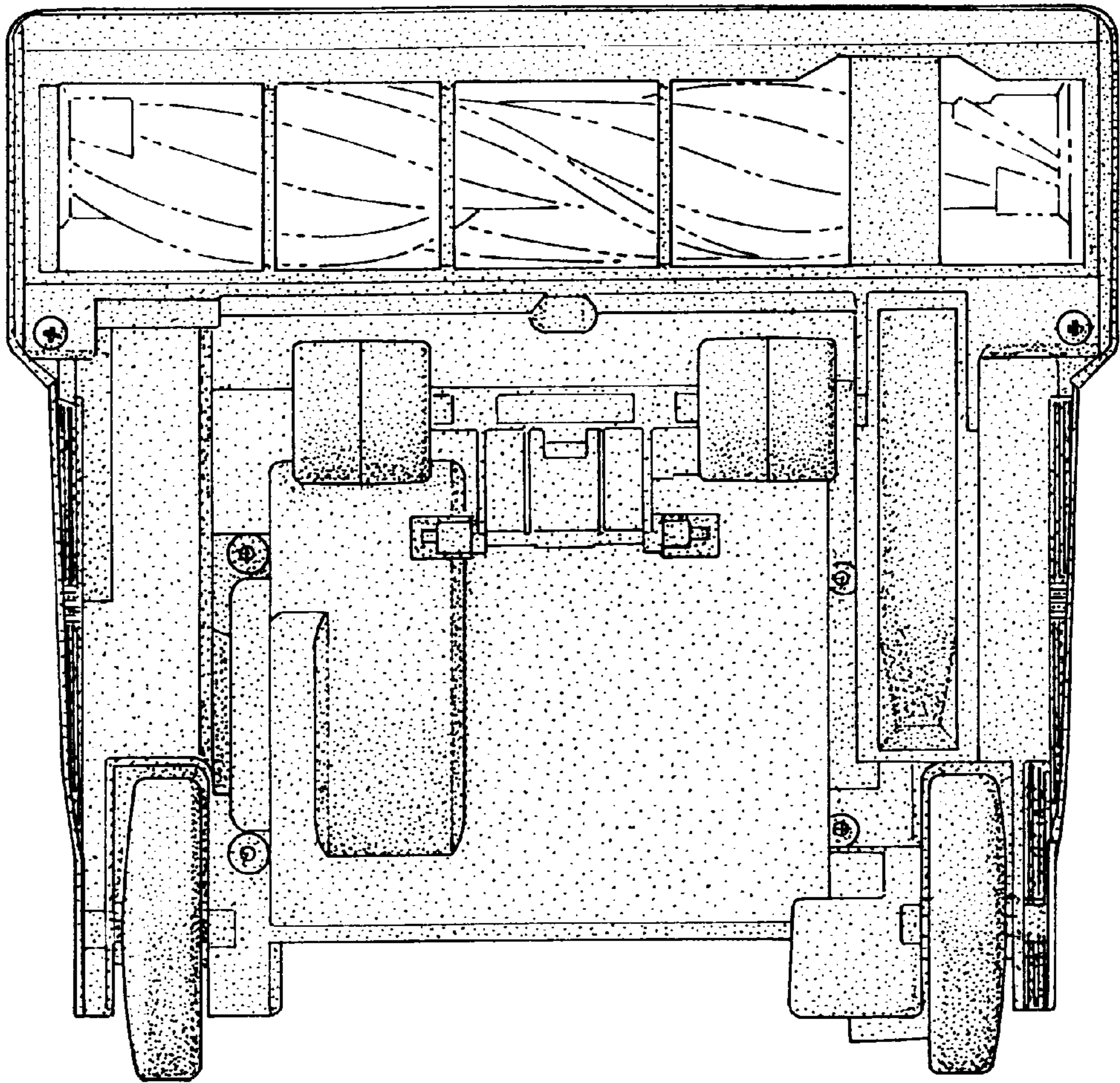


FIG.-7