



US00D425271S

# United States Patent [19]

Roberts et al.

[11] Patent Number: **Des. 425,271**

[45] Date of Patent: **\*\* May 16, 2000**

[54] **UPRIGHT VACUUM CLEANER BASE PORTION**

[75] Inventors: **Kenneth L. Roberts**, Rockford; **Michael D. Luyckx**, Bloomfield Hills, both of Mich.; **Steven R. Umbach**, The Woodlands, Tex.

[73] Assignee: **Bissell Homecare, Inc.**, Grand Rapids, Mich.

[\*\*] Term: **14 Years**

[21] Appl. No.: **29/081,676**

[22] Filed: **Jan. 8, 1998**

[51] **LOC (7) Cl.** ..... **15-05**

[52] **U.S. Cl.** ..... **D32/31**

[58] **Field of Search** ..... D32/21, 22, 31-34; 15/322, 354, 355, 358, 362, 366, 378, 400, 412, 414, 415.1-422, 422.1, 339

[56] **References Cited**

**U.S. PATENT DOCUMENTS**

- D. 252,332 7/1979 Schaefer ..... D32/22
- D. 262,539 1/1982 Wareham ..... D32/22

- D. 269,470 6/1983 Essex ..... D32/32
- D. 305,169 12/1989 Essex et al. .... D32/31
- D. 307,069 4/1990 Kieft ..... D32/22
- D. 326,006 5/1992 Moine ..... D32/32
- D. 338,990 8/1993 McKnight ..... D32/32
- D. 356,880 3/1995 Kieft ..... D32/31
- D. 379,695 6/1997 Africa ..... D32/33

*Primary Examiner*—Ruth McInroy  
*Attorney, Agent, or Firm*—Rader, Fishman, Grauer & McGarry, An Office of Rader, Fishman & Grauer PLLC

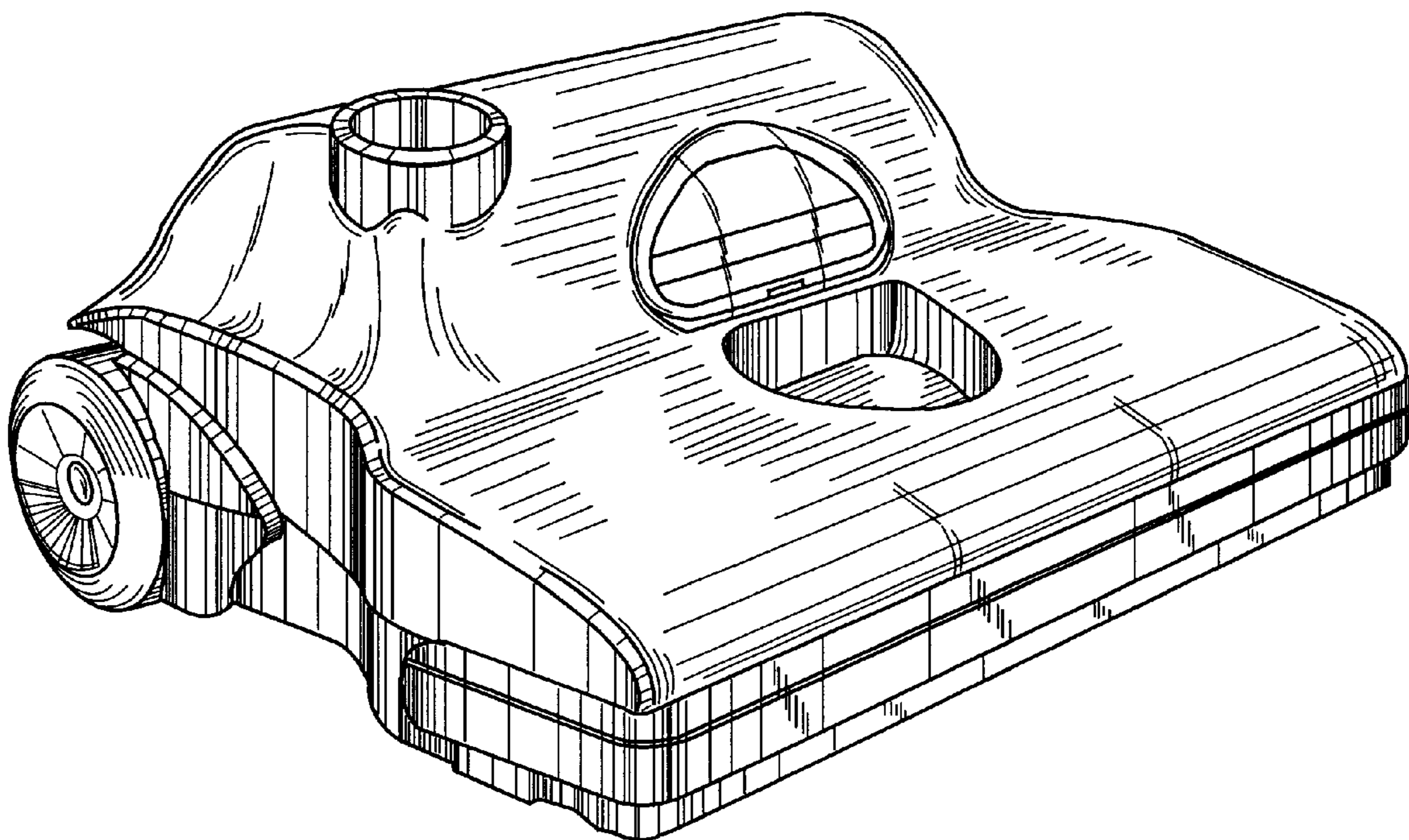
[57] **CLAIM**

The ornamental design for an upright vacuum cleaner base portion, as shown and described.

**DESCRIPTION**

FIG. 1 is a top perspective view of an upright vacuum cleaner base portion showing our new design; FIG. 2 is a top plan view thereof; FIG. 3 is a bottom plan view thereof; FIG. 4 is a front elevational view thereof; FIG. 5 is a rear elevational view thereof; FIG. 6 is a right side elevational view thereof; and, FIG. 7 is a left side elevational view thereof.

**1 Claim, 3 Drawing Sheets**



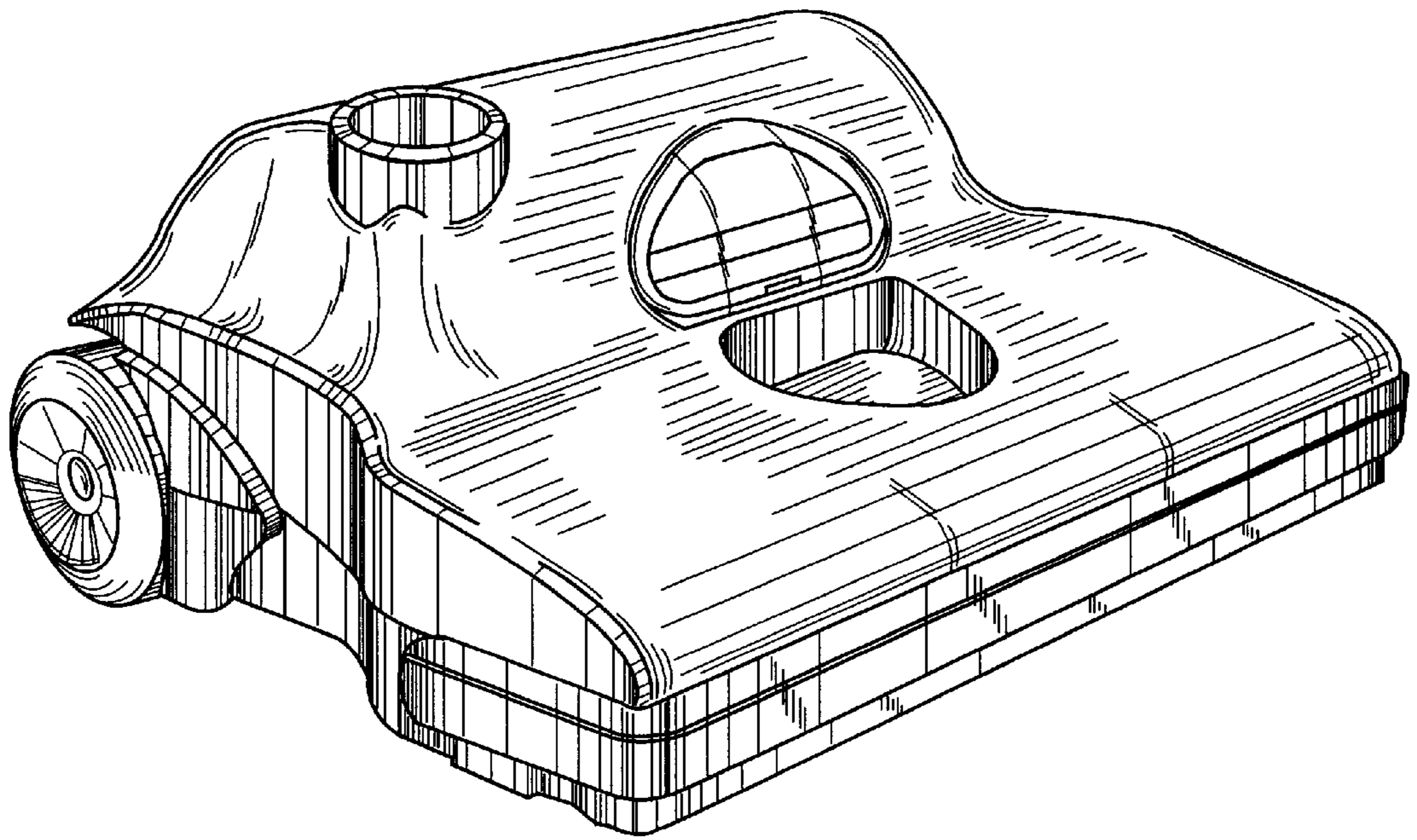


Fig. 1

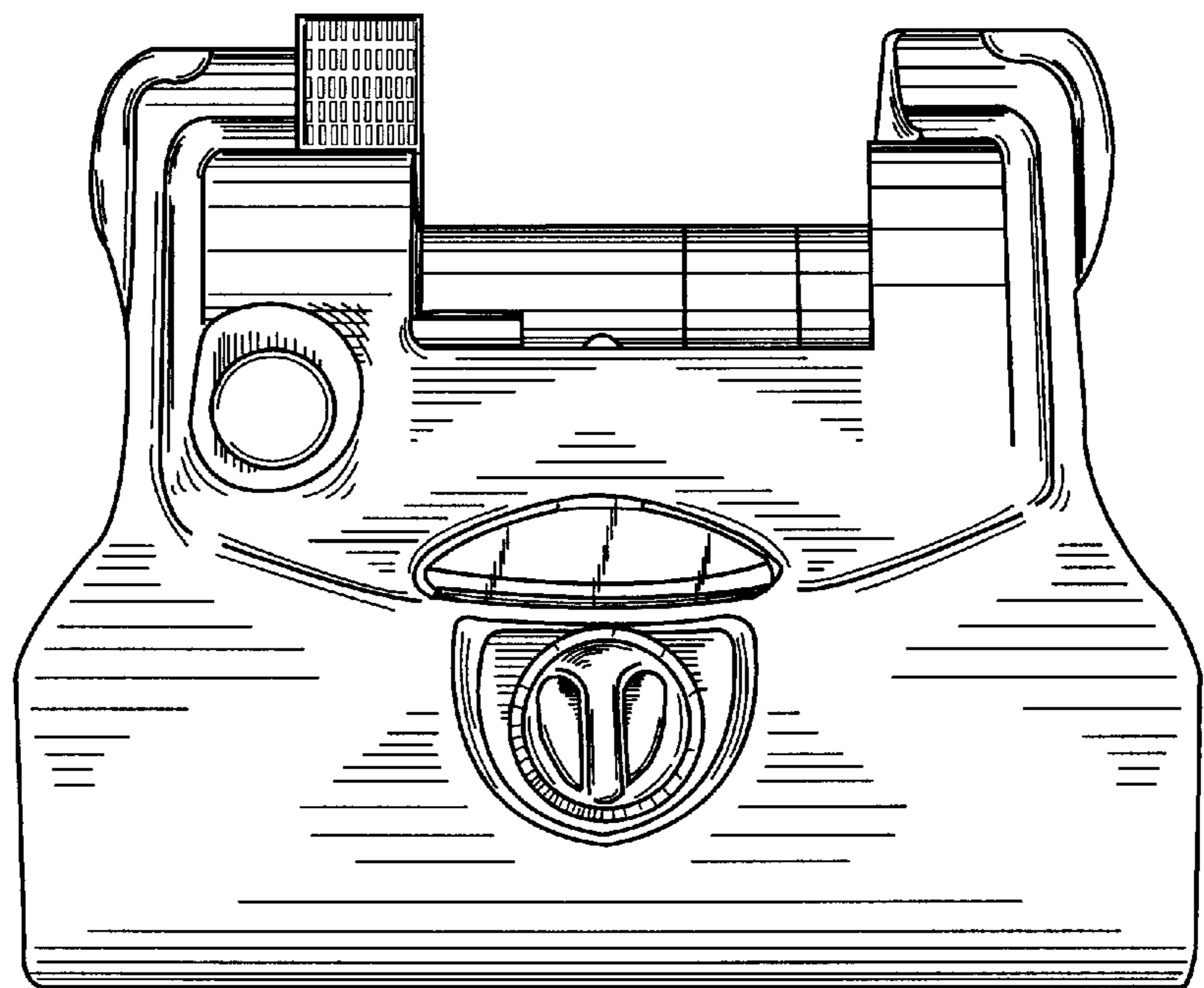
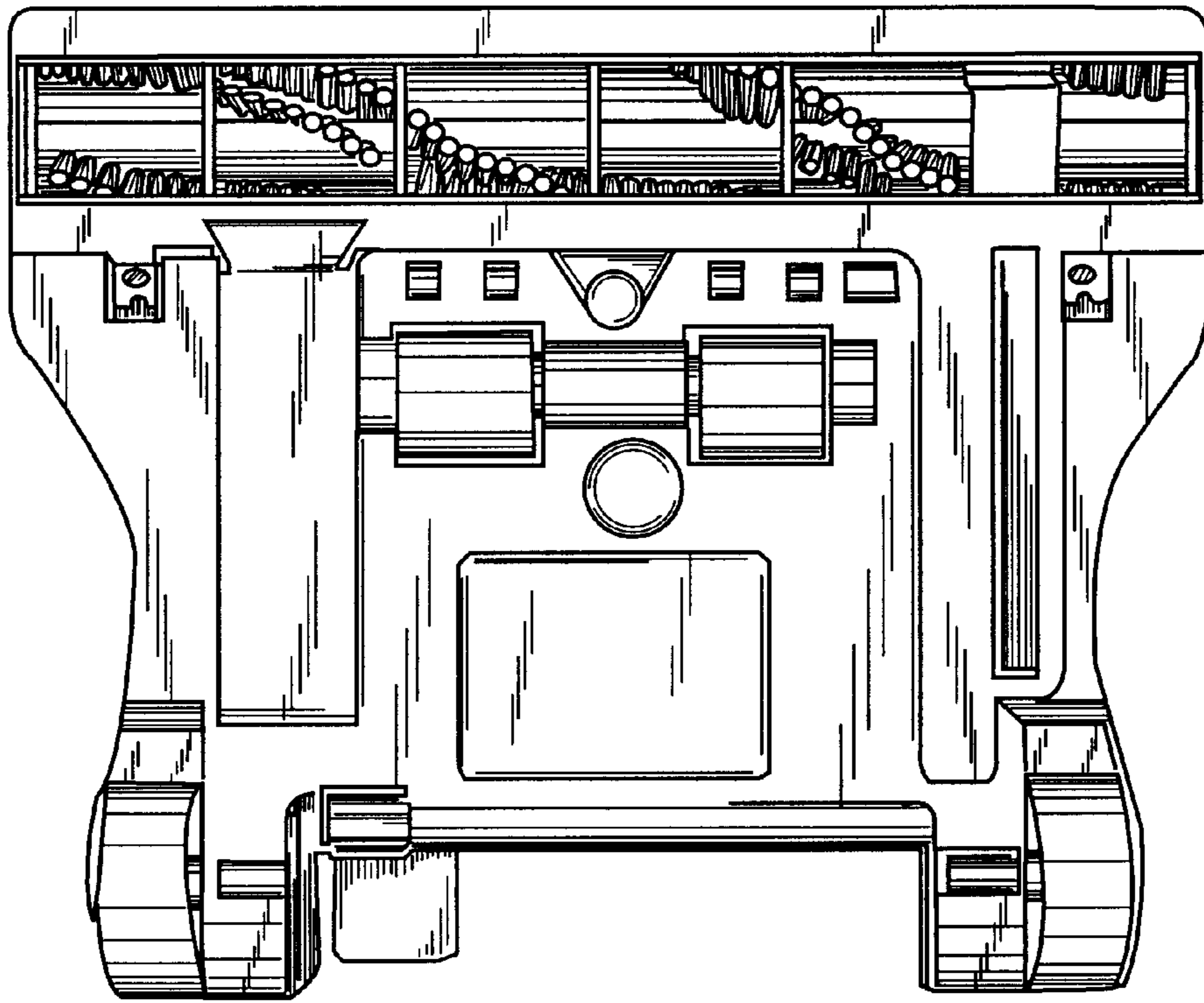
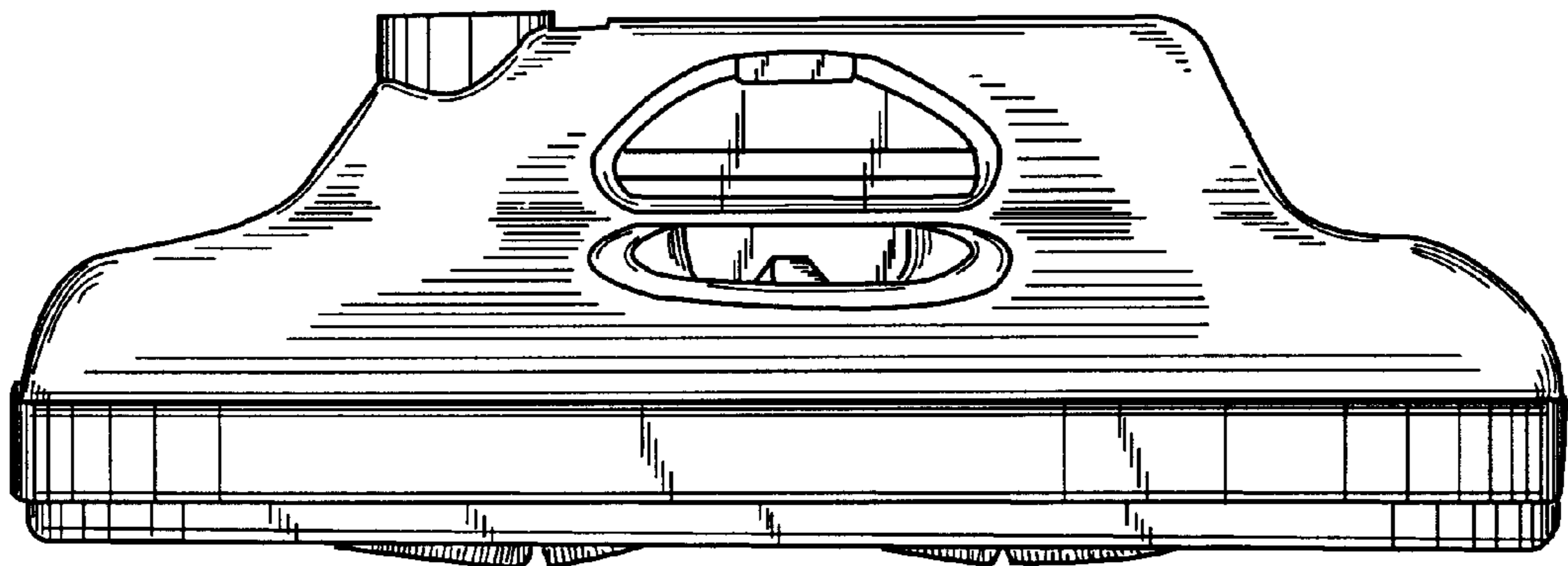


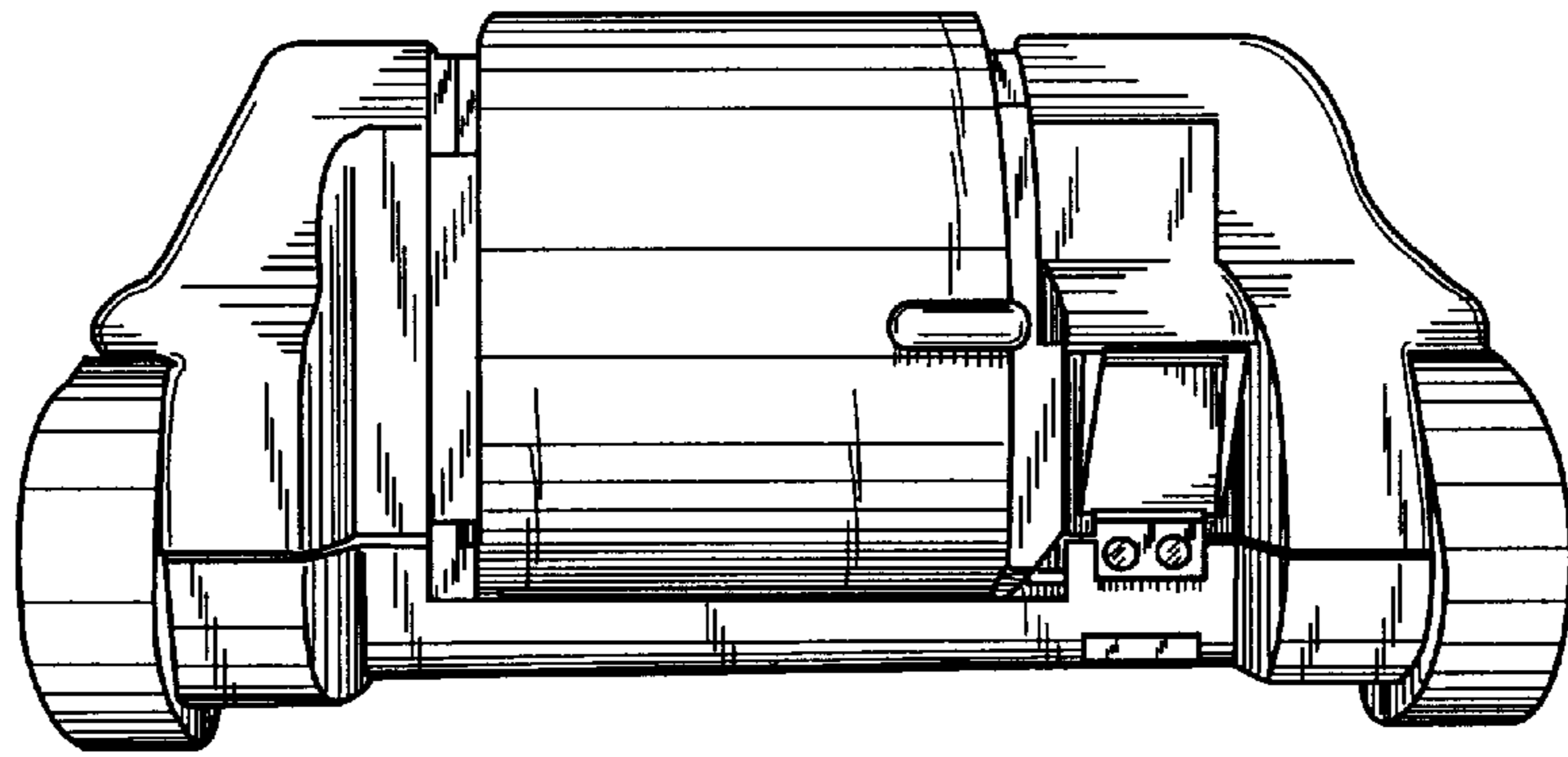
Fig. 2



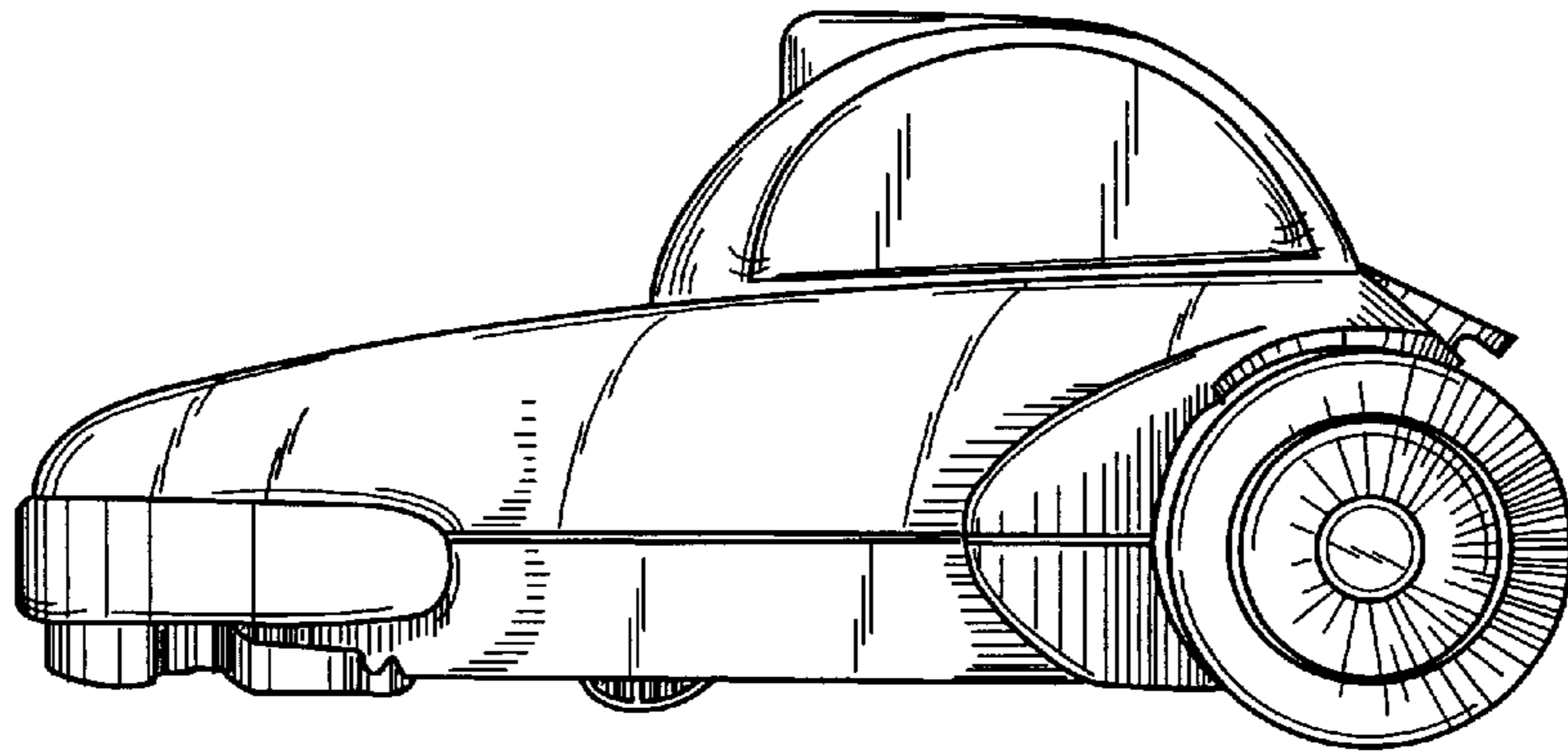
**Fig. 3**



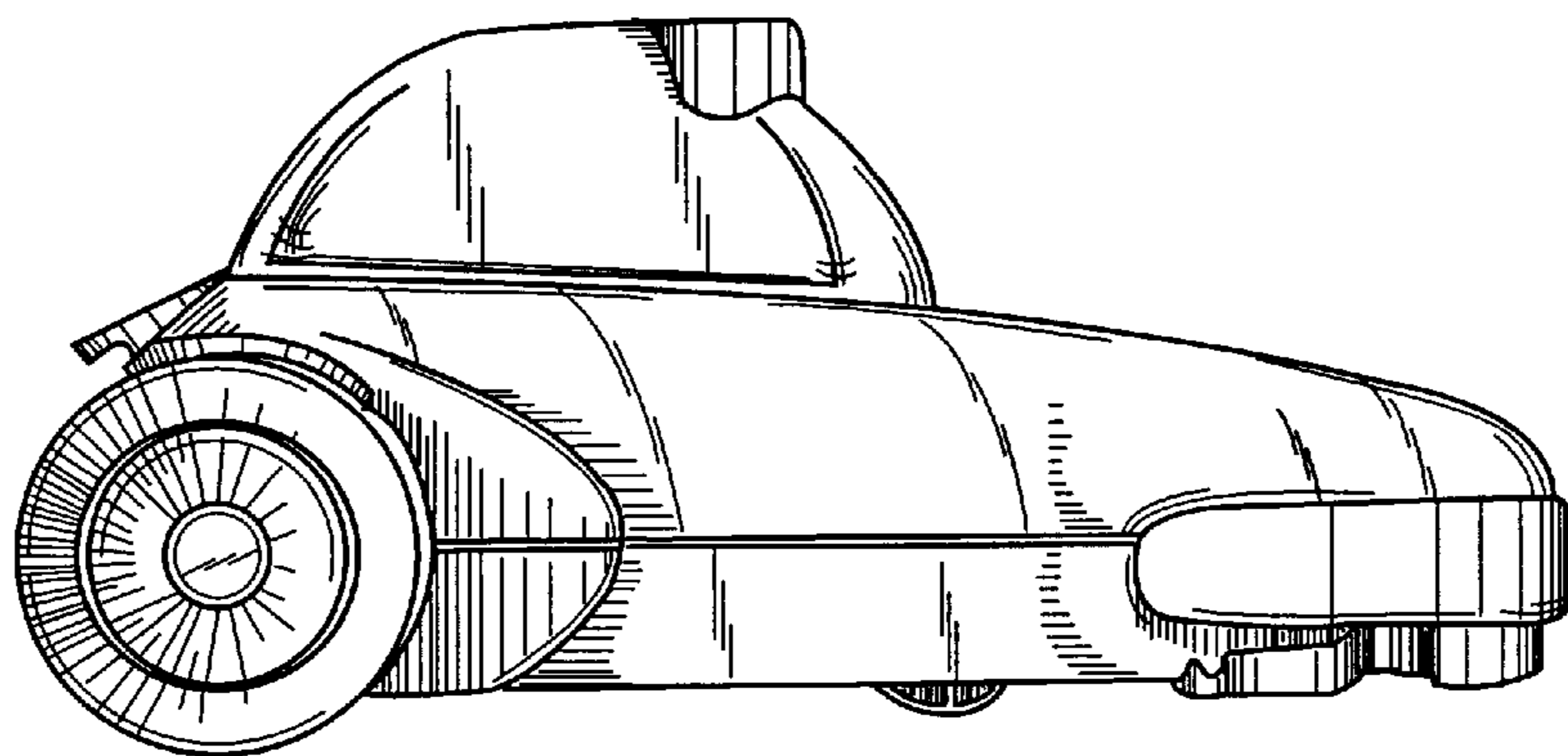
**Fig. 4**



**Fig. 5**



**Fig. 6**



**Fig. 7**