



US00D425270S

United States Patent [19]
Zahuranec

[11] **Patent Number: Des. 425,270**

[45] **Date of Patent: ** May 16, 2000**

[54] **FILTER FOR A RECHARGEABLE HAND HELD VACUUM CLEANER**

4,592,964 6/1986 Ikezaki et al. 15/347
4,831,685 5/1989 Bosyj et al. 55/DIG. 2

[75] Inventor: **Terry L. Zahuranec**, North Olmsted, Ohio

Primary Examiner—Ruth McInroy
Attorney, Agent, or Firm—Fay, Sharpe, Fagan, Minnich & McKee, LLP

[73] Assignee: **Royal Appliance Mfg. Co.**, Cleveland, Ohio

[**] Term: **14 Years**

[57] **CLAIM**

The ornamental design for a filter for a rechargeable hand held vacuum cleaner, as shown.

[21] Appl. No.: **29/033,504**

DESCRIPTION

[22] Filed: **Jan. 13, 1995**

[51] **LOC (7) Cl.** **15-05**

FIG. 1 is a perspective view of a filter for a rechargeable hand held vacuum cleaner showing my new design;

[52] **U.S. Cl.** **D32/30**

FIG. 2 is a right side elevational view thereof;

[58] **Field of Search** D32/17-18, 30, D32/31; 15/344, 347, 349; 55/DIG. 2, DIG. 3, DIG. 8; 406/171, 172; 34/82; 435/264, 290.2, 290.4, 262, 291.5; 222/333, 321.7; 241/36, 39, 101.2, DIG. 38, 101.1, 101.5, 101.6

FIG. 3 is a top plan view thereof;

FIG. 4 is a bottom plan view thereof;

FIG. 5 is a left side elevational view thereof;

FIG. 6 is a front elevational view thereof; and,

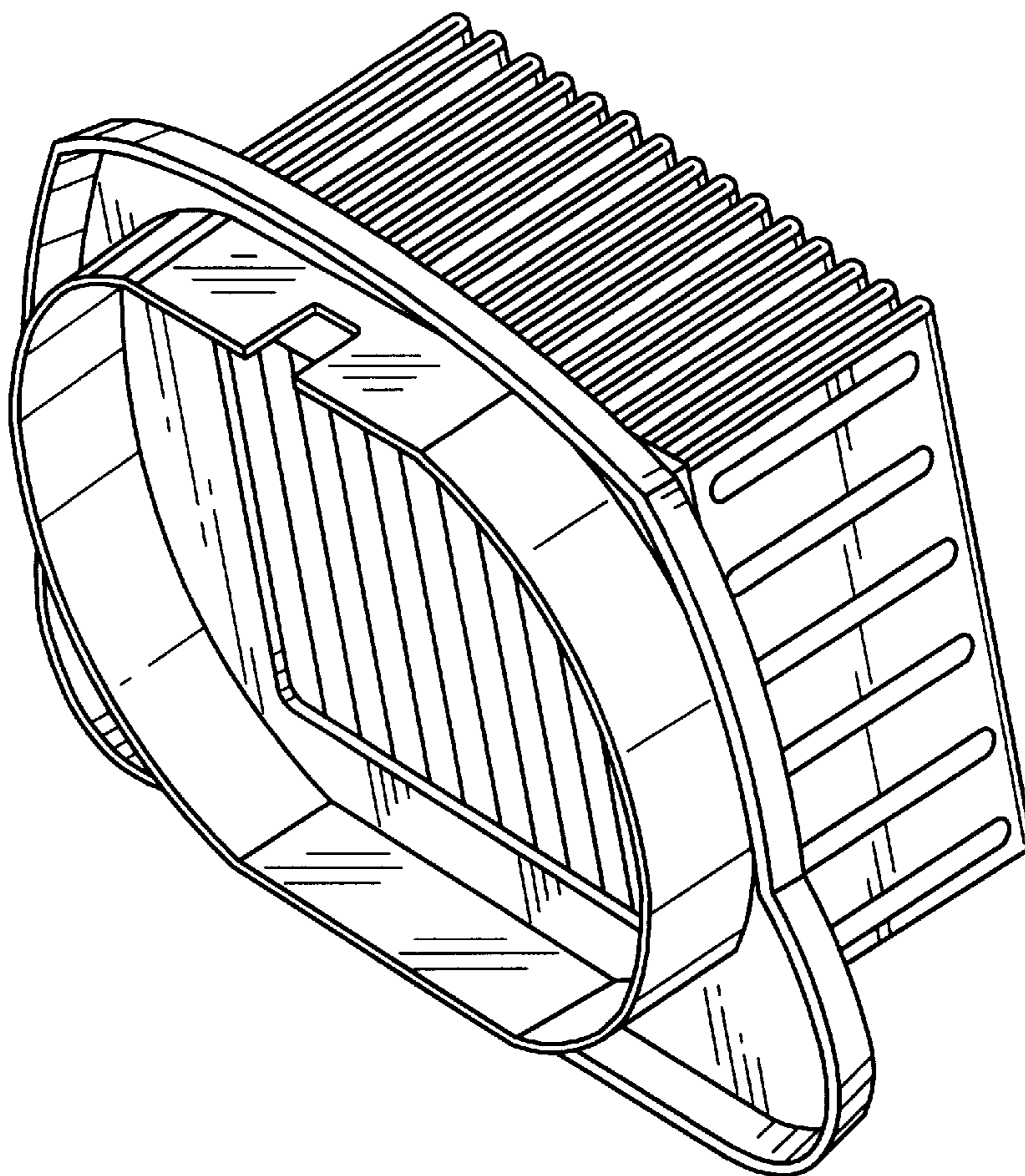
FIG. 7 is a rear elevational view thereof.

[56] **References Cited**

U.S. PATENT DOCUMENTS

4,545,794 10/1985 Himukai 55/DIG. 3

1 Claim, 3 Drawing Sheets



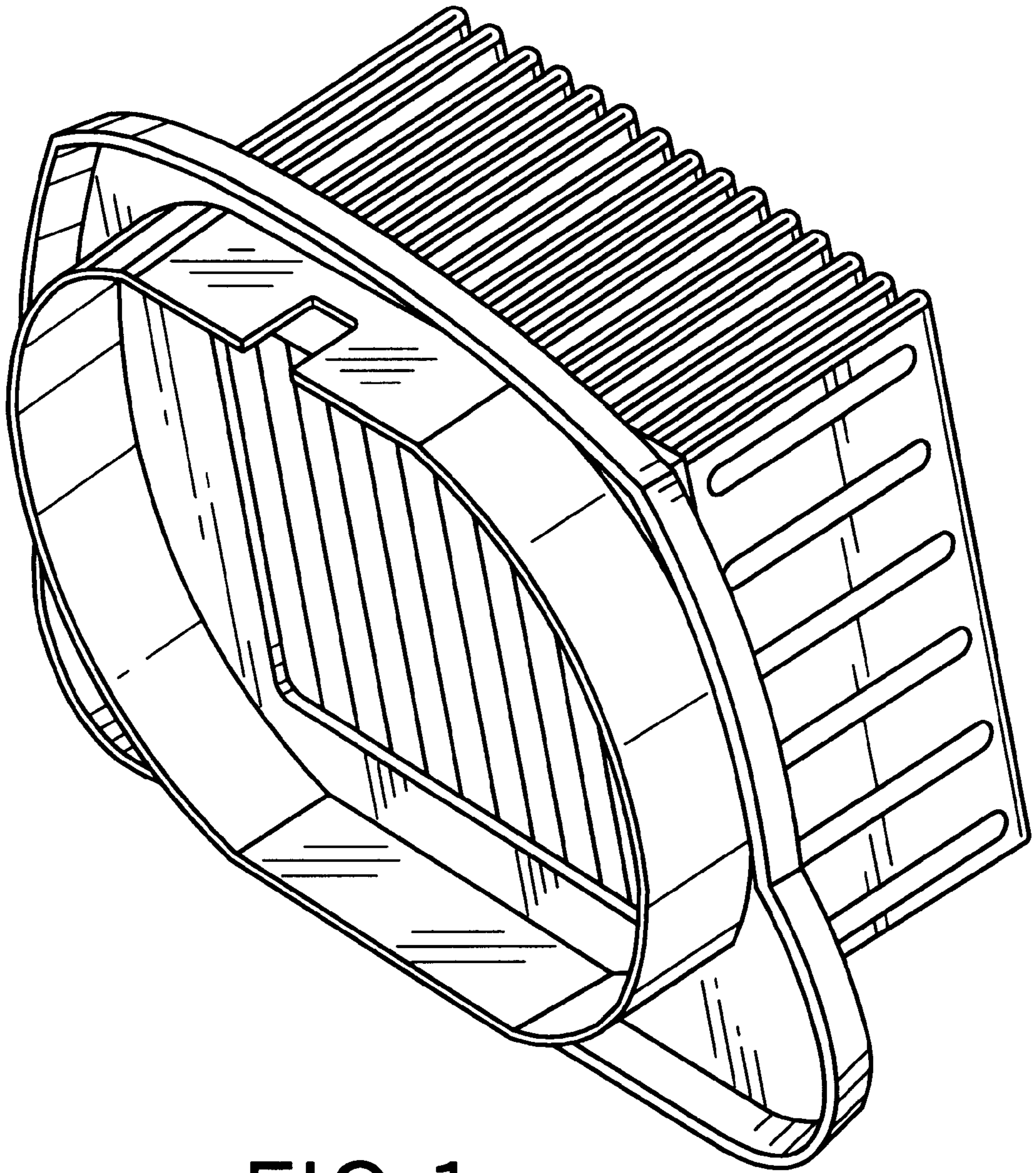


FIG.1

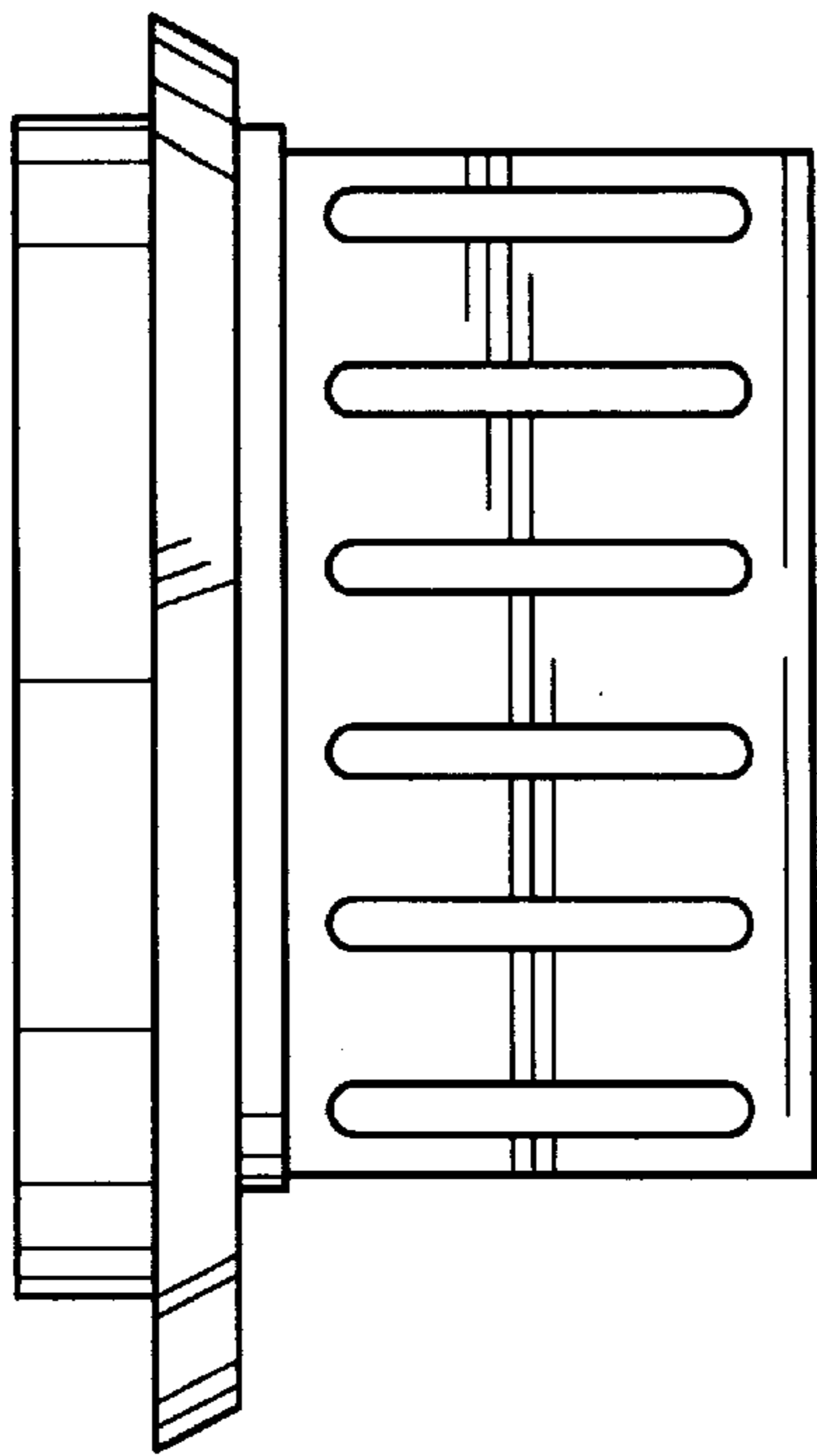


FIG. 2

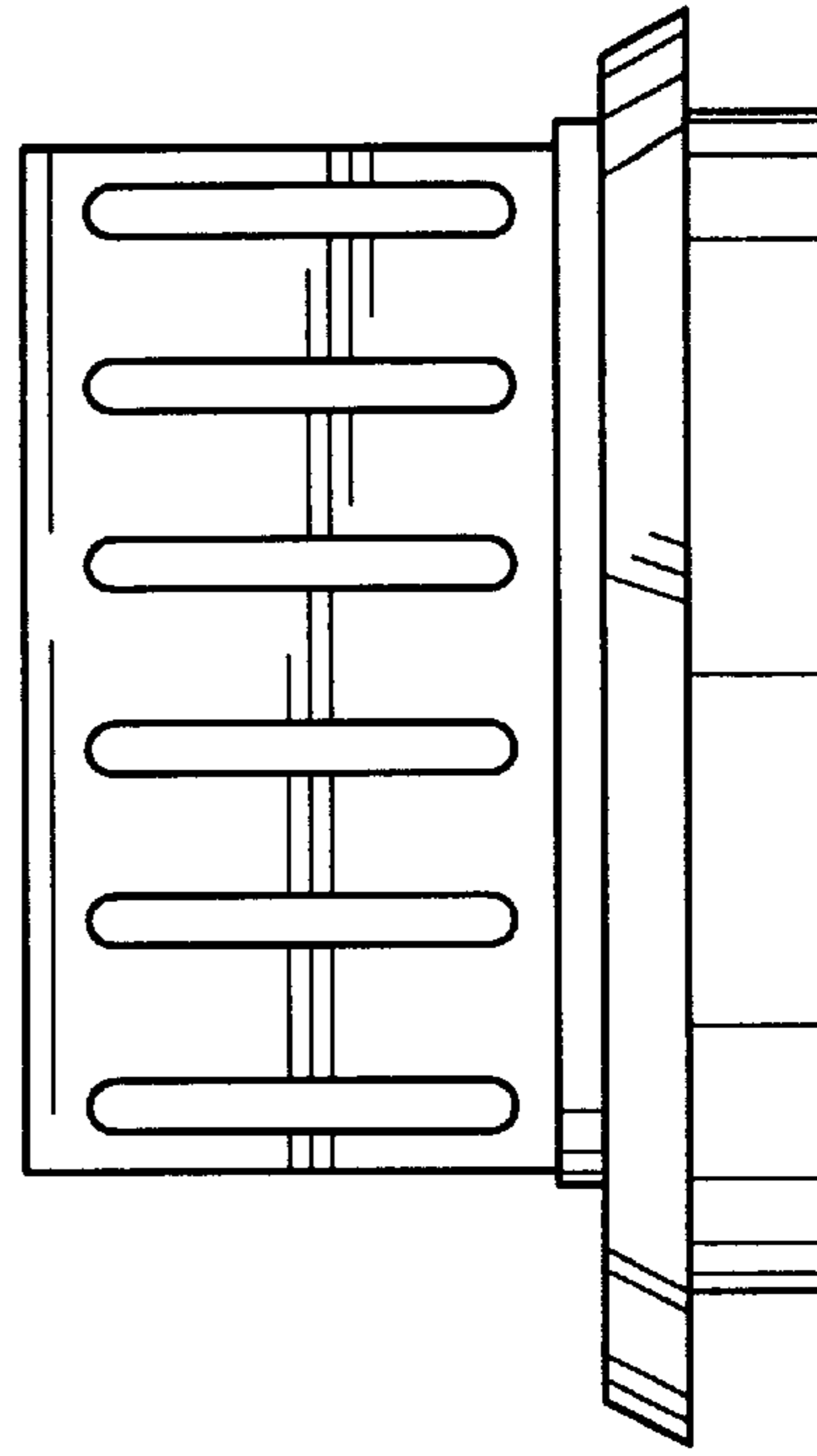


FIG. 5

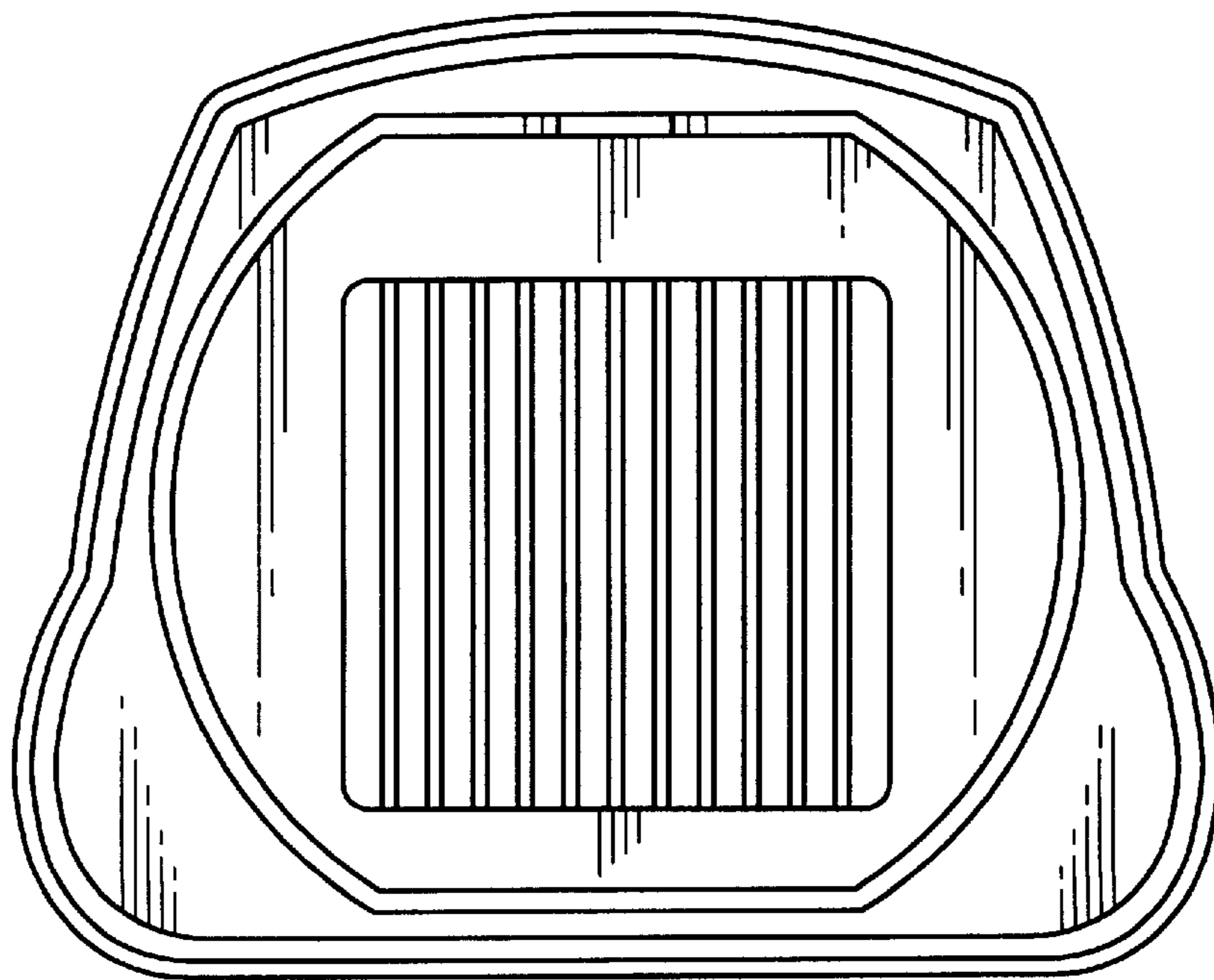


FIG. 7

FIG.4

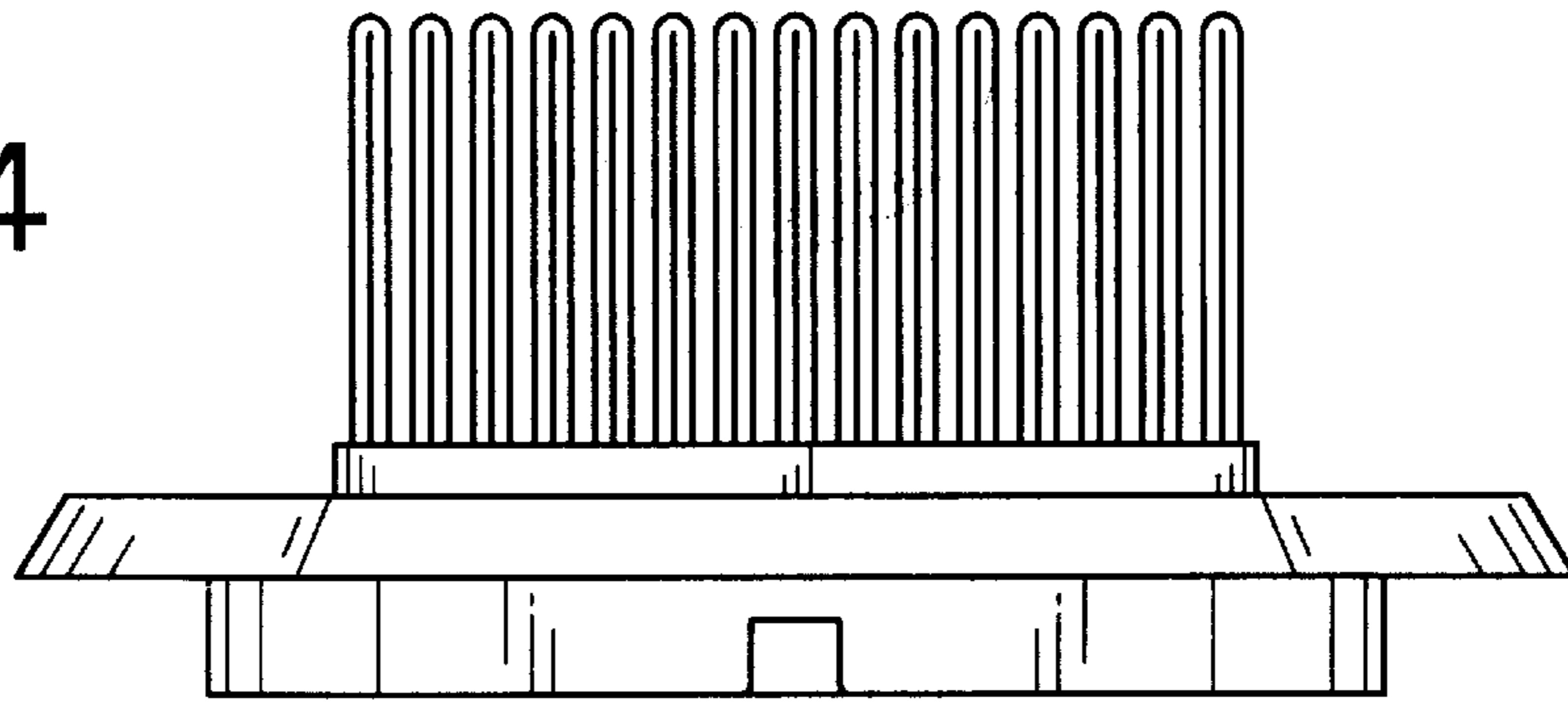


FIG.6

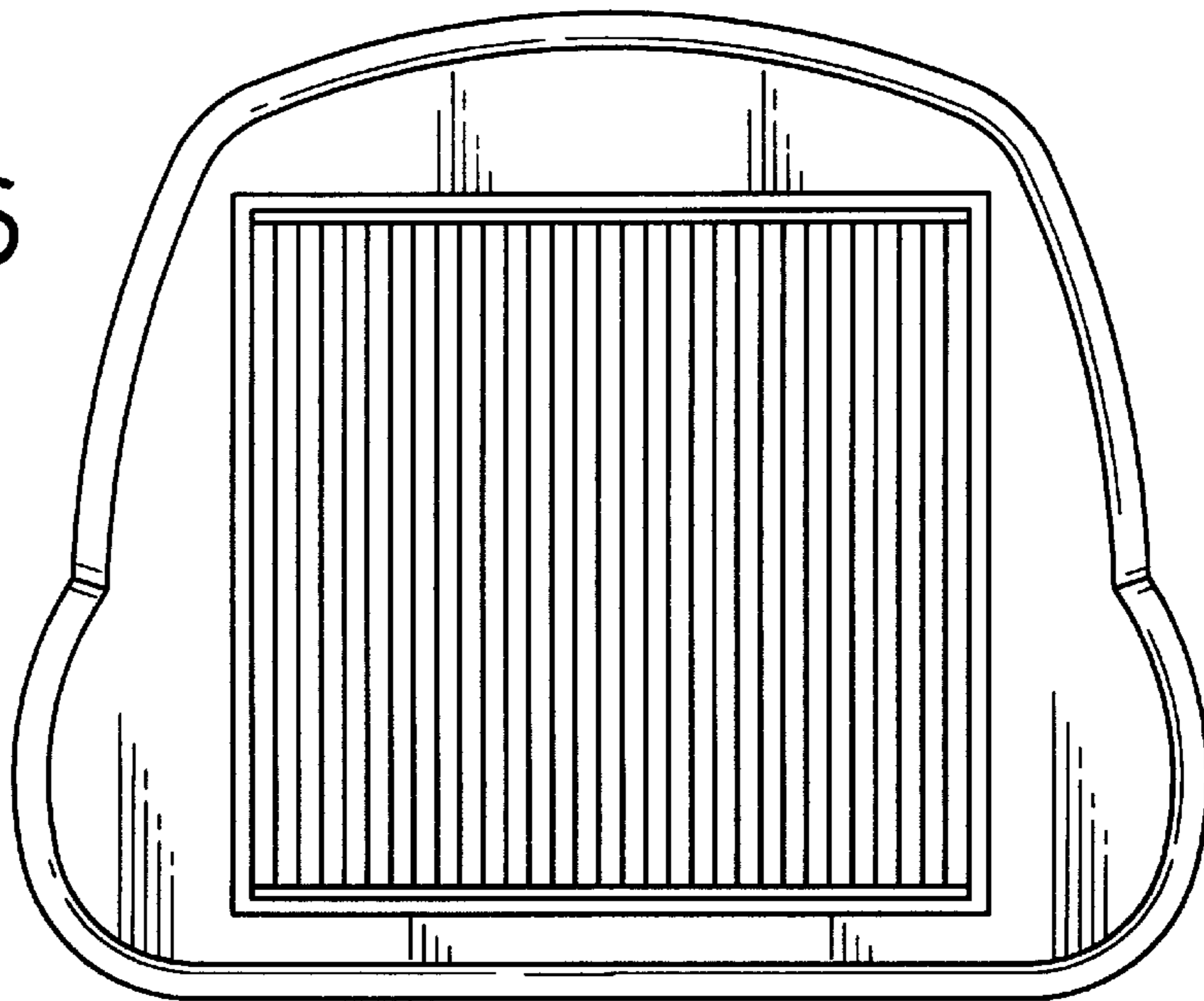


FIG.3

