



US00D425262S

United States Patent [19]

Scott et al.

[11] **Patent Number: Des. 425,262**

[45] **Date of Patent: ** May 16, 2000**

[54] **PET FOOD SERVER**

[76] Inventors: **Jennifer G. Scott**, Rte. 22, Box 412-2, Hollis Ctr., Me. 04042-9642; **Michael J. Lamontagne**, 248 Rte. 5, Dayton, Me. 04005

[**] Term: **14 Years**

[21] Appl. No.: **29/107,838**

[22] Filed: **Jul. 14, 1999**

[51] **LOC (7) Cl. 30-03**

[52] **U.S. Cl. D30/130**

[58] **Field of Search** D30/121-133; 119/51.12, 51.5, 52.1, 61, 74, 77; D7/624, 337, 367; D21/7

[56] **References Cited**

U.S. PATENT DOCUMENTS

- D. 89,262 2/1933 Nunimaker D30/130
- D. 263,784 4/1982 Butler et al. D7/624 X

- D. 374,517 10/1996 Morrill D30/133
- D. 375,818 11/1996 Fischer D30/130
- D. 377,244 1/1997 Steininger D30/133
- D. 414,303 9/1999 Sharon D30/133

Primary Examiner—Louis S. Zarfes
Assistant Examiner—Catherine R. Oliver
Attorney, Agent, or Firm—Owen J. Meegan; Barry D. Josephs

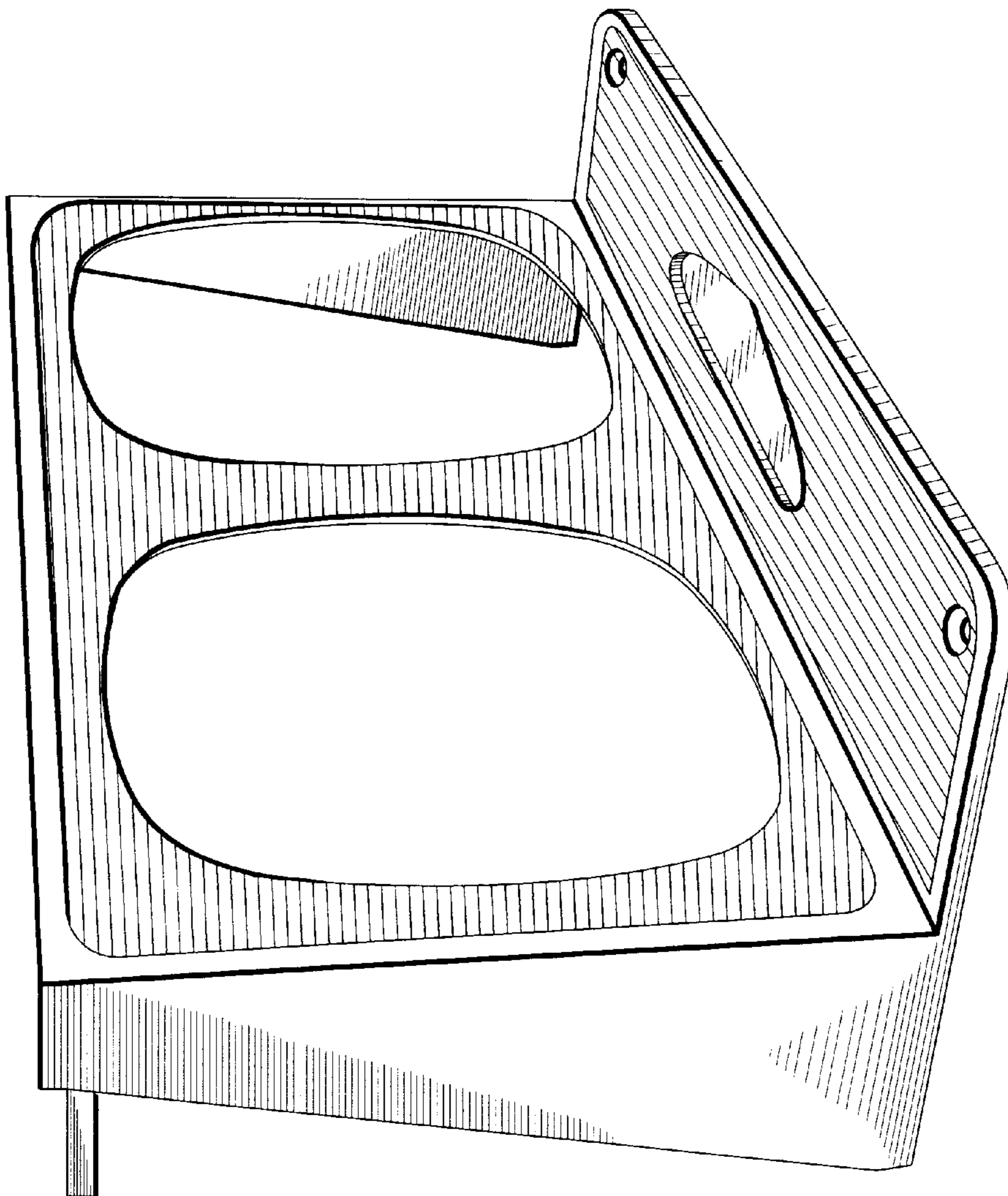
[57] **CLAIM**

We claim the ornamental design for pet food server, as shown and described.

DESCRIPTION

FIG. 1 is a top plan view of the pet food server showing our new design;
FIG. 2 is a front elevational view thereof;
FIG. 3 is a side elevational view, the opposite side elevational view being a mirror image thereof; and,
FIG. 4 is a perspective view thereof.

1 Claim, 2 Drawing Sheets



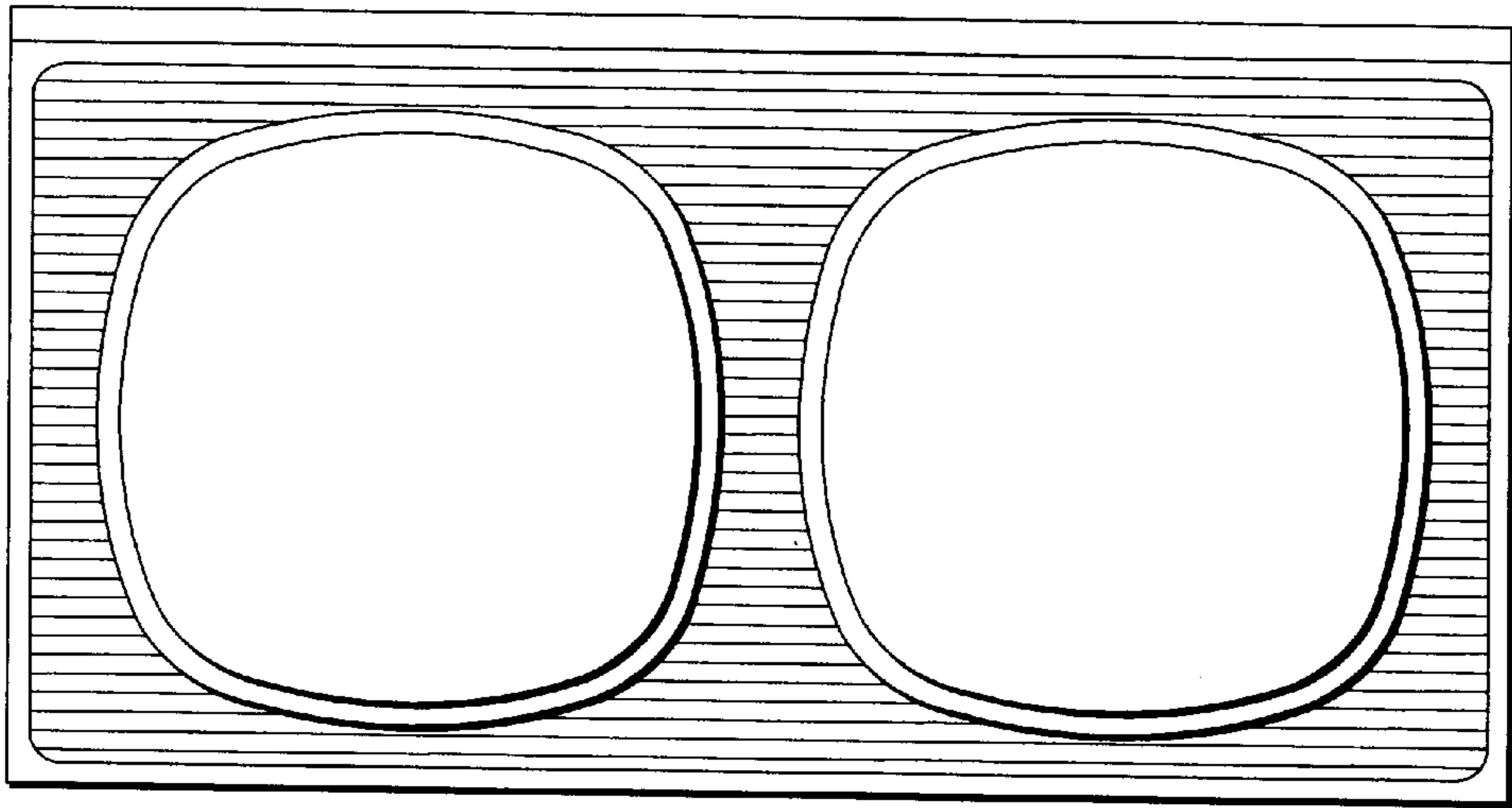


Fig. 1

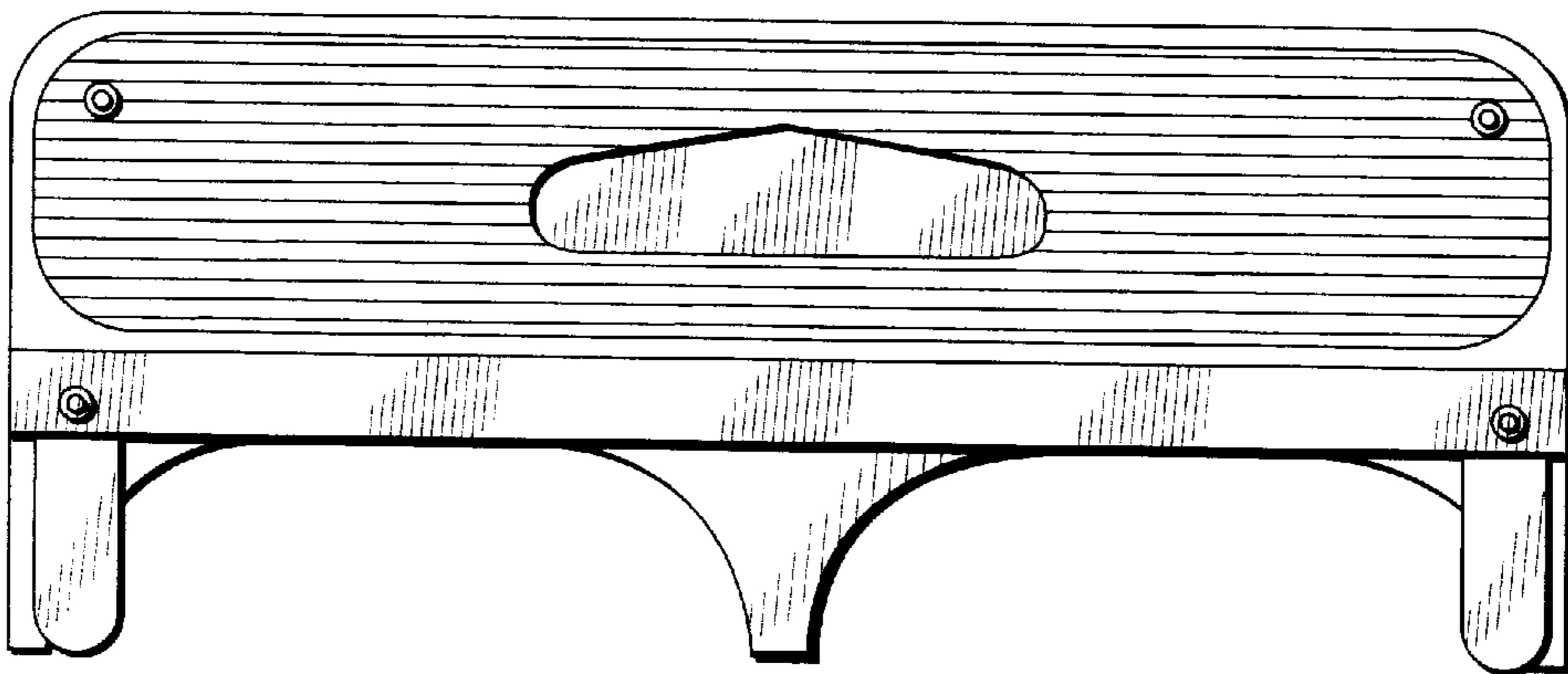


Fig. 2



Fig. 3

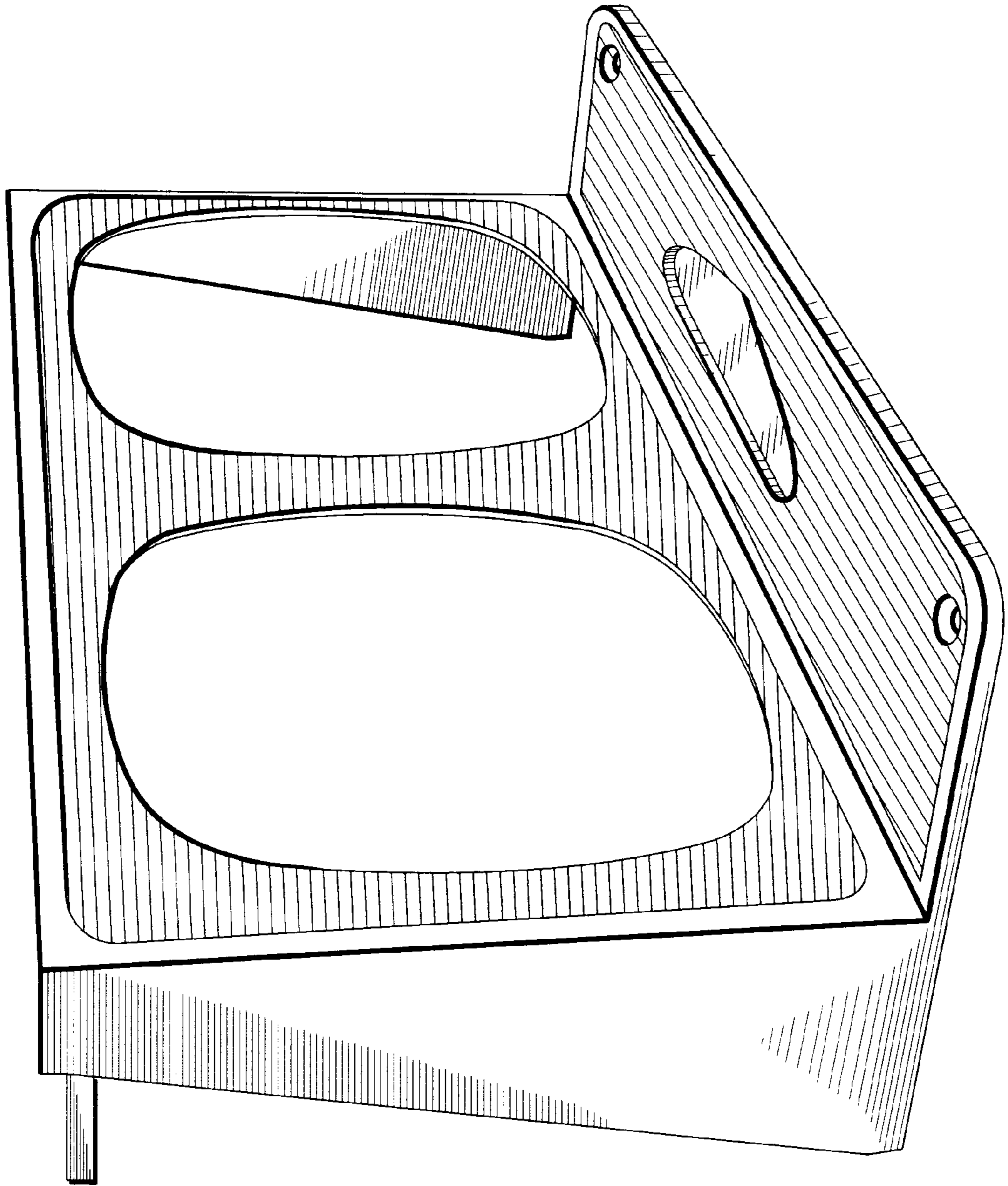


Fig. 4