



US00D425257S

United States Patent [19]

[11] Patent Number: Des. 425,257

Acker et al.

[45] Date of Patent: ** May 16, 2000

[54] COSMETIC CONTAINER

5,373,940 12/1994 Hillelson 132/318

[75] Inventors: Lisa Acker, Sparta, N.J.; Miriam Aristy, New York, N.Y.; Jing Yi Zhu, East Rutherford, N.J.

Primary Examiner—Raphael Barkai
Attorney, Agent, or Firm—Julie Blackburn

[73] Assignee: Revlon Consumer Products Corporation, New York, N.Y.

[57] CLAIM

The ornamental design for a cosmetic container, as shown and described.

[**] Term: 14 Years

DESCRIPTION

[21] Appl. No.: 29/110,945

FIG. 1 is a front perspective view of the cosmetic container. FIG. 2 is a side view of the cosmetic container. FIG. 3 is a front view of the cosmetic container. FIG. 4 is a rear view of the cosmetic container. FIG. 5 is a top plan view of the cosmetic container. FIG. 6 is a bottom plan view of the cosmetic container. FIG. 7 is an exploded view of the cosmetic container, showing the lid removed. FIG. 9 is a top plan view of the cosmetic container with the lid removed as shown in FIG. 7; FIG. 10 is a bottom plan view of the lid; FIG. 11 is a bottom plan view of the interior element shown in FIG. 8; and, FIG. 12 is a top plan view of the cosmetic container with the lid and interior element removed. Elements of the design have been shown separately in FIGS. 8–12 for ease of illustration only. FIG. 8 is an exploded perspective view of the cosmetic container with the lid omitted for ease of illustration;

[22] Filed: Sep. 17, 1999

[51] LOC (7) Cl. 28-03

[52] U.S. Cl. D28/85; D28/89

[58] Field of Search D28/7, 76–91.1; D9/503, 504, 529, 549, 557, 558; 132/317, 318, 320; 206/385; 220/DIG. 26; 401/88, 89, 98

[56] References Cited

U.S. PATENT DOCUMENTS

D. 180,110	4/1957	Slater	D28/89
D. 255,054	5/1980	Kingsford	D28/89
D. 277,324	1/1985	Davey	D28/89
D. 303,303	9/1989	Cardia	D28/88
D. 372,195	7/1996	Gerhart et al.	D9/529
D. 392,423	3/1998	Lerolle	D28/89
5,257,704	11/1993	Gutt	206/385

1 Claim, 3 Drawing Sheets

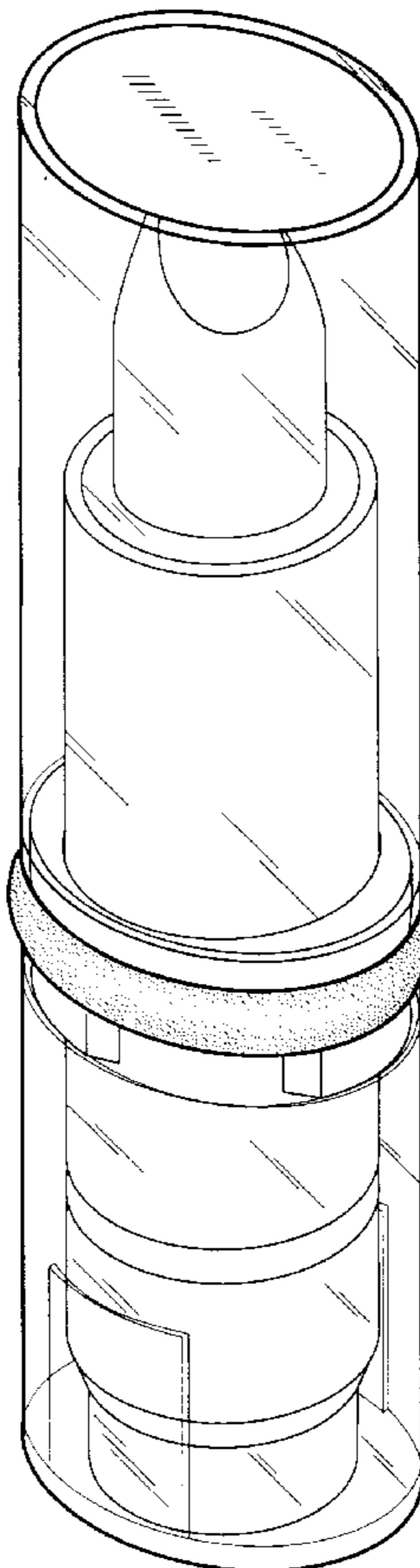


FIG. 1

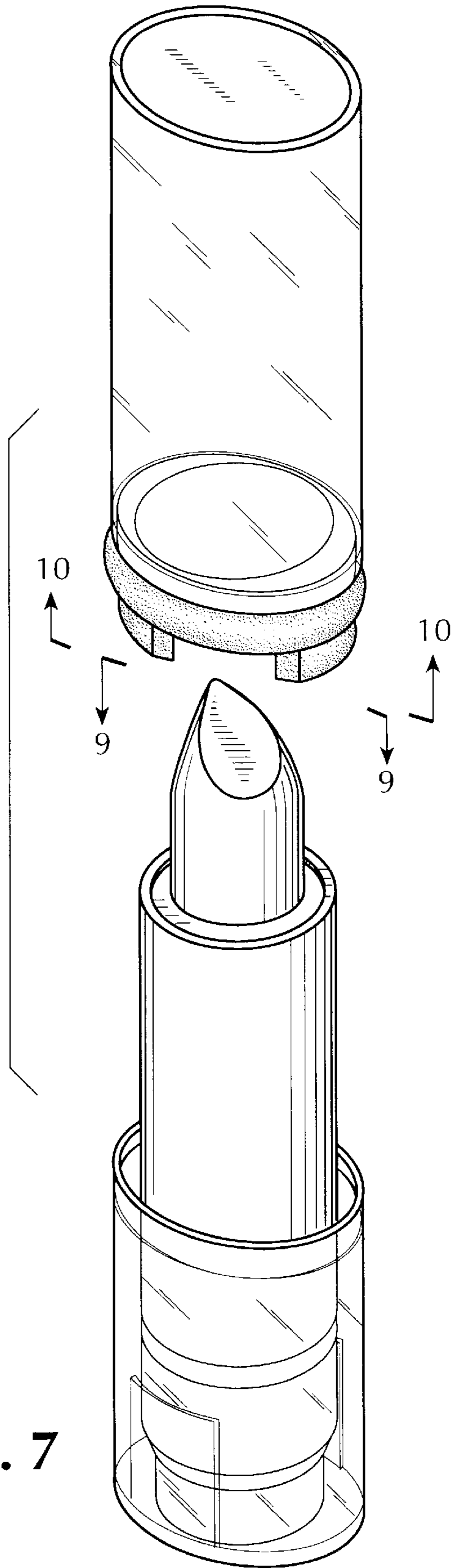
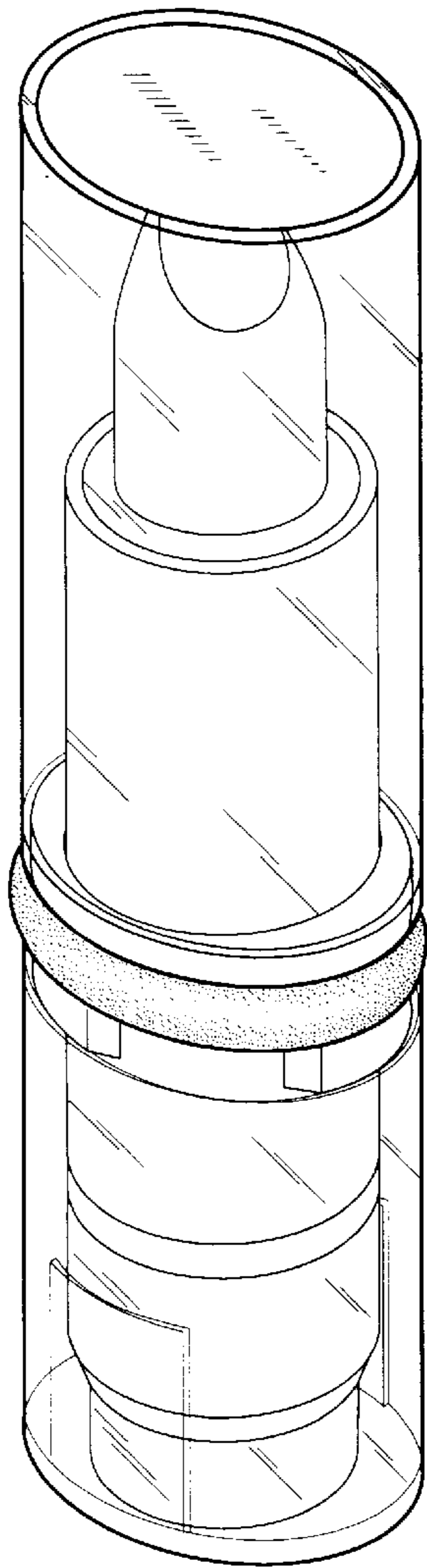


FIG. 7

FIG. 2

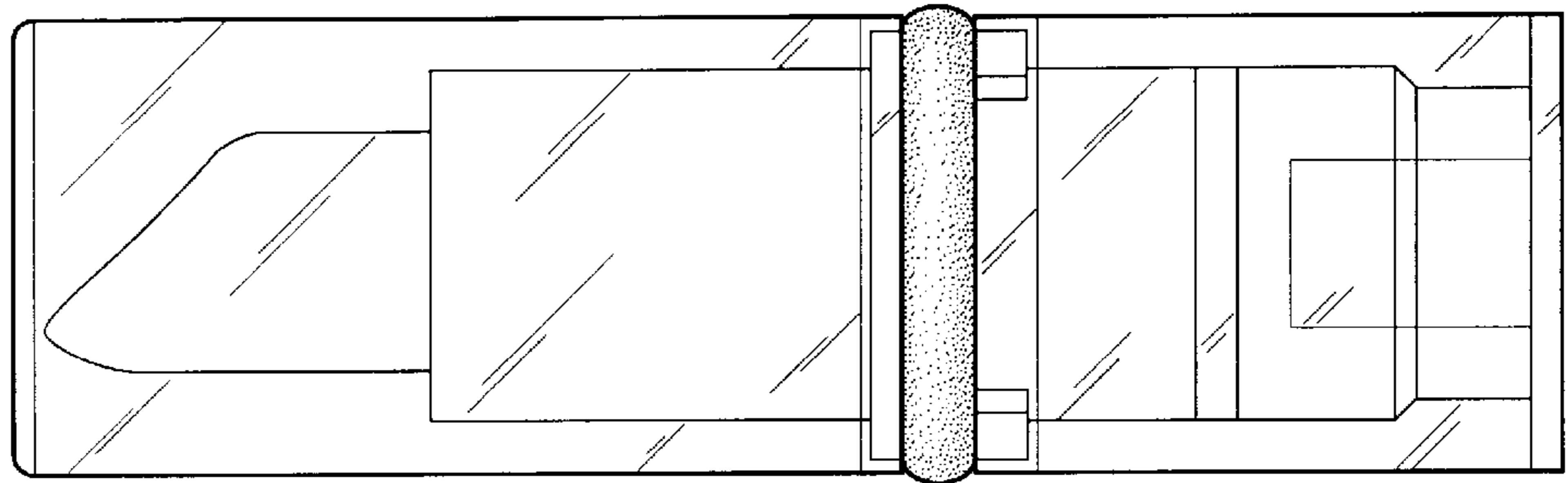


FIG. 3

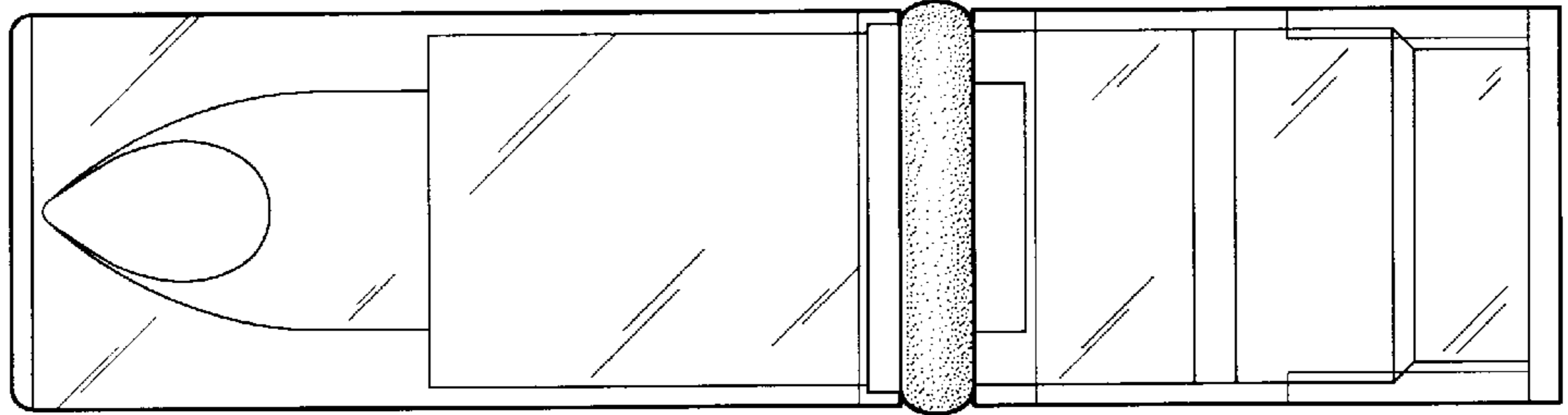


FIG. 4

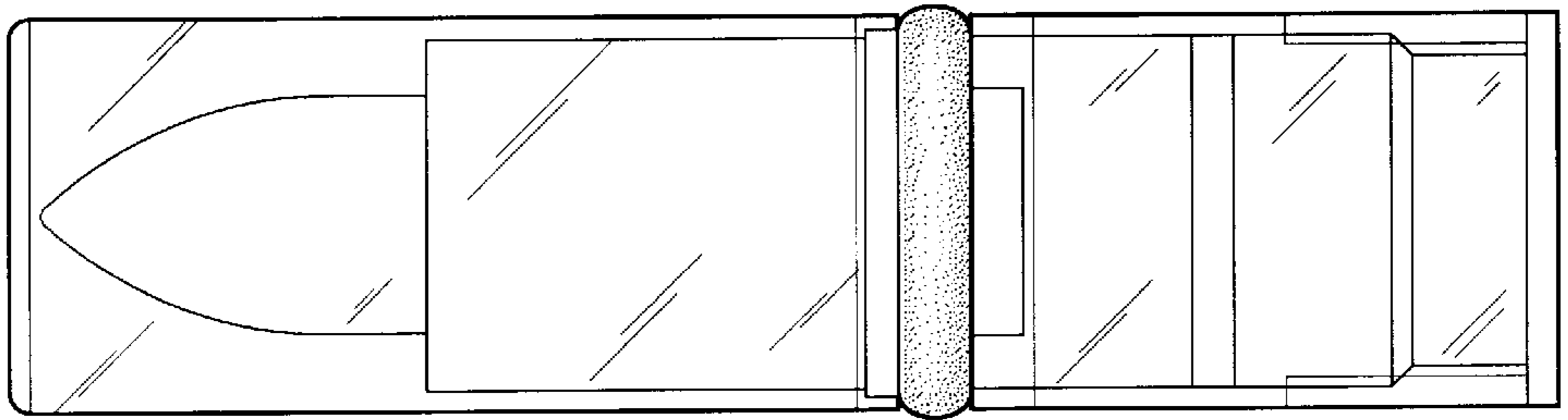


FIG. 5

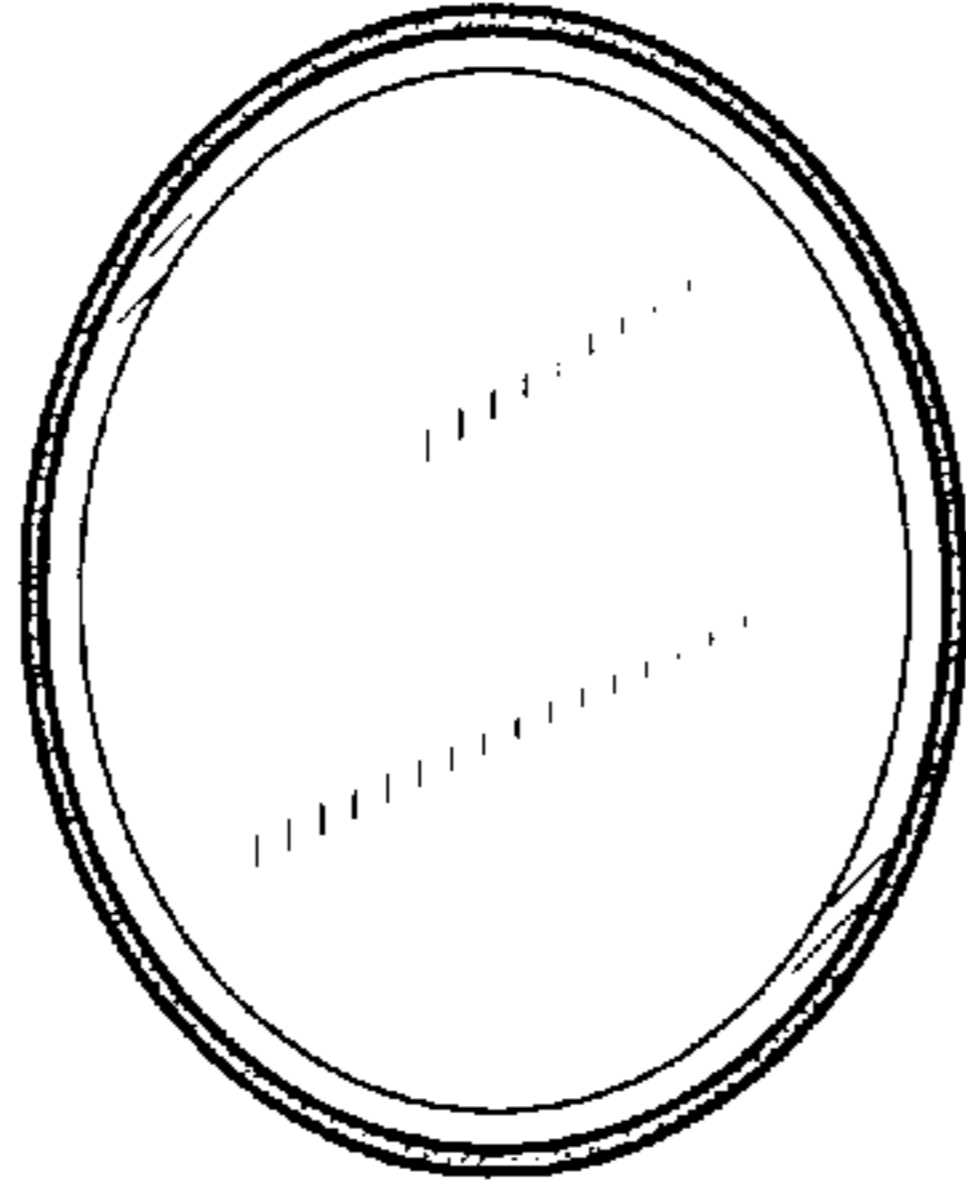


FIG. 6

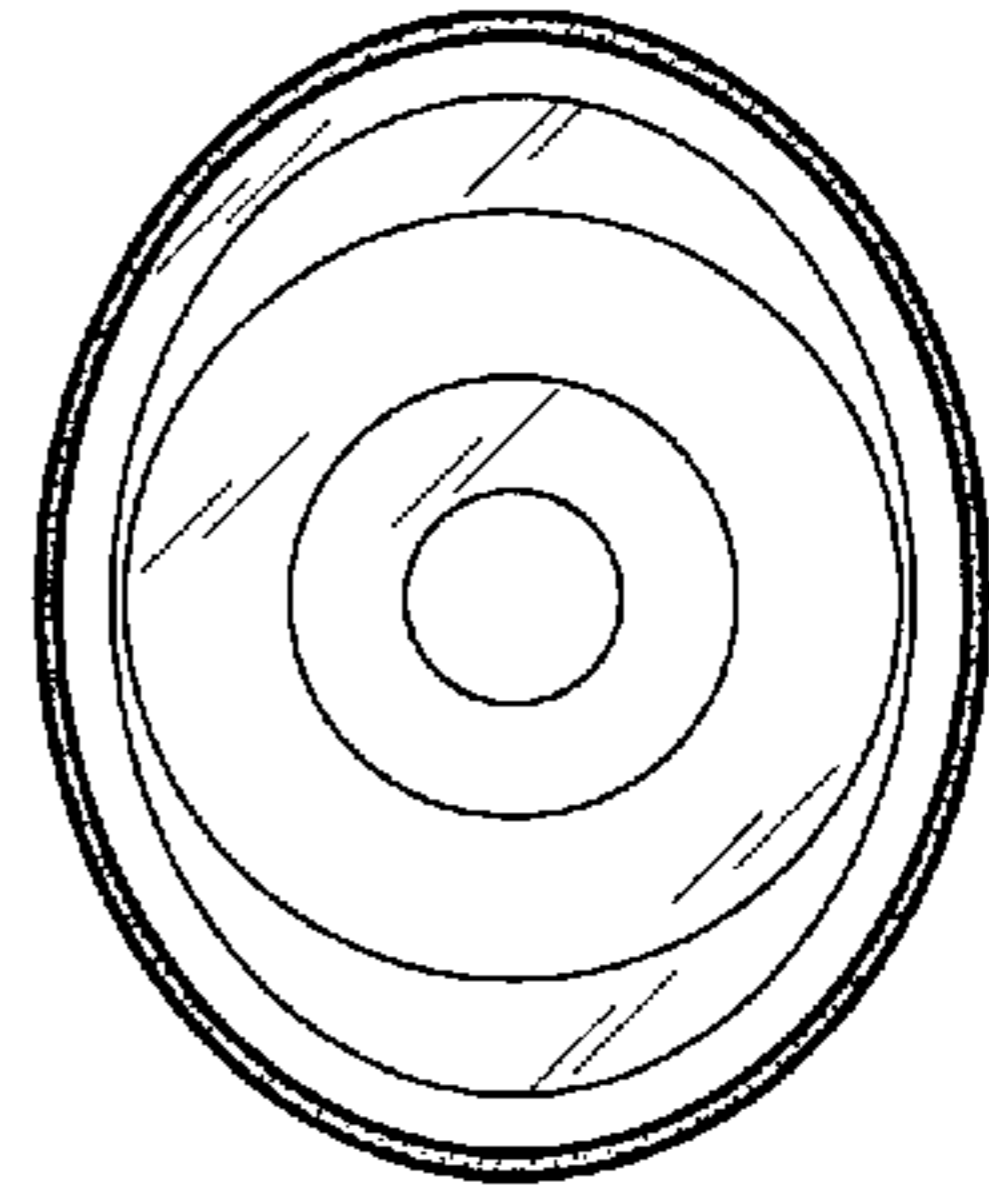


FIG. 8

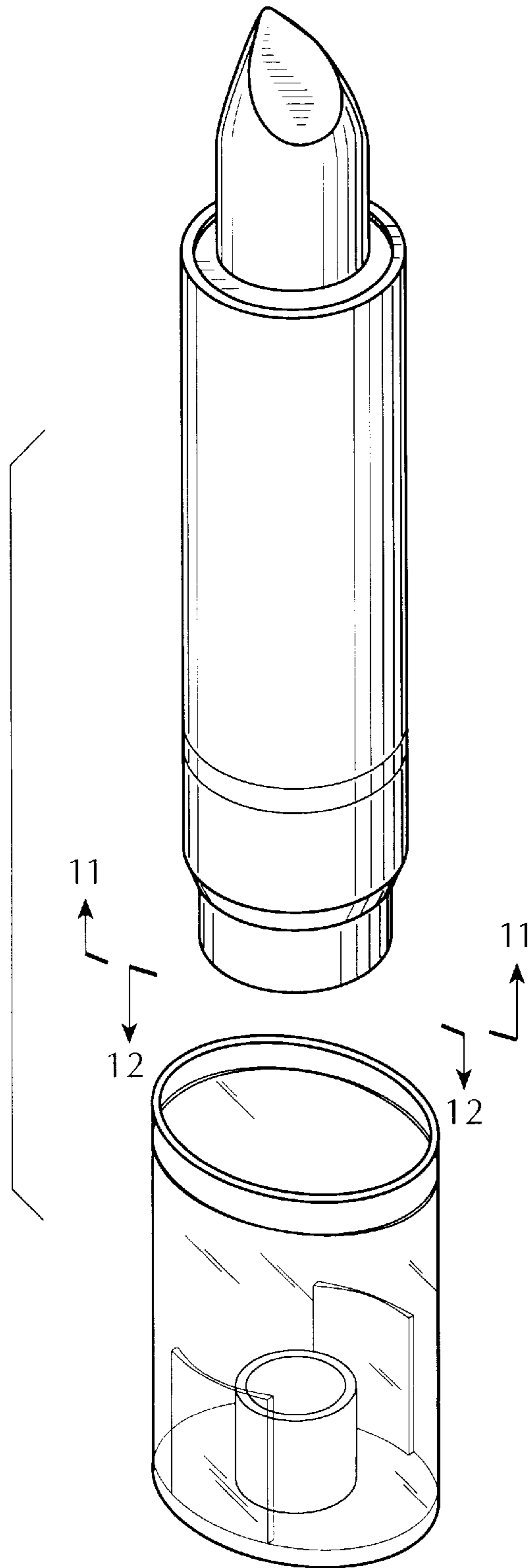


FIG. 9

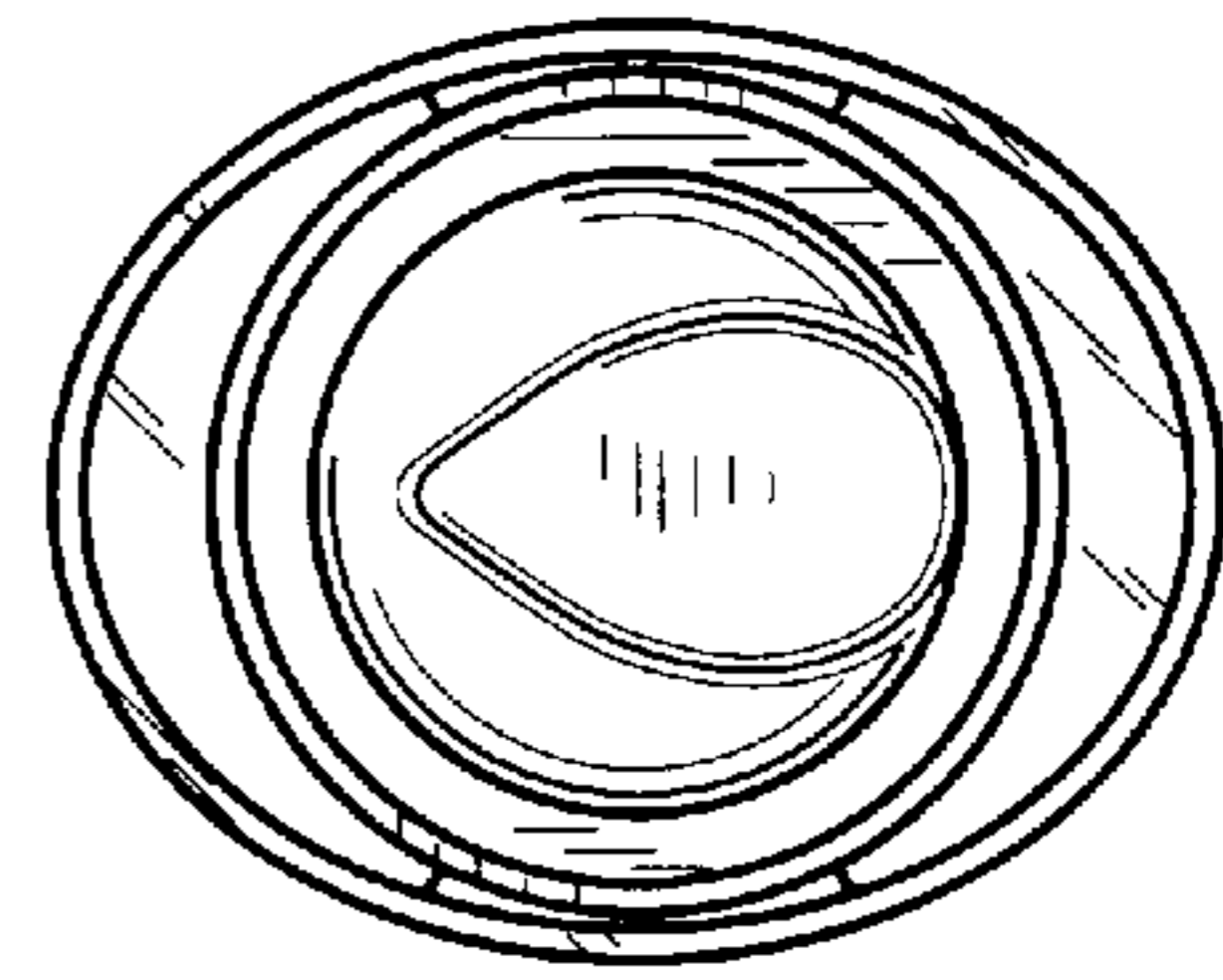


FIG. 10

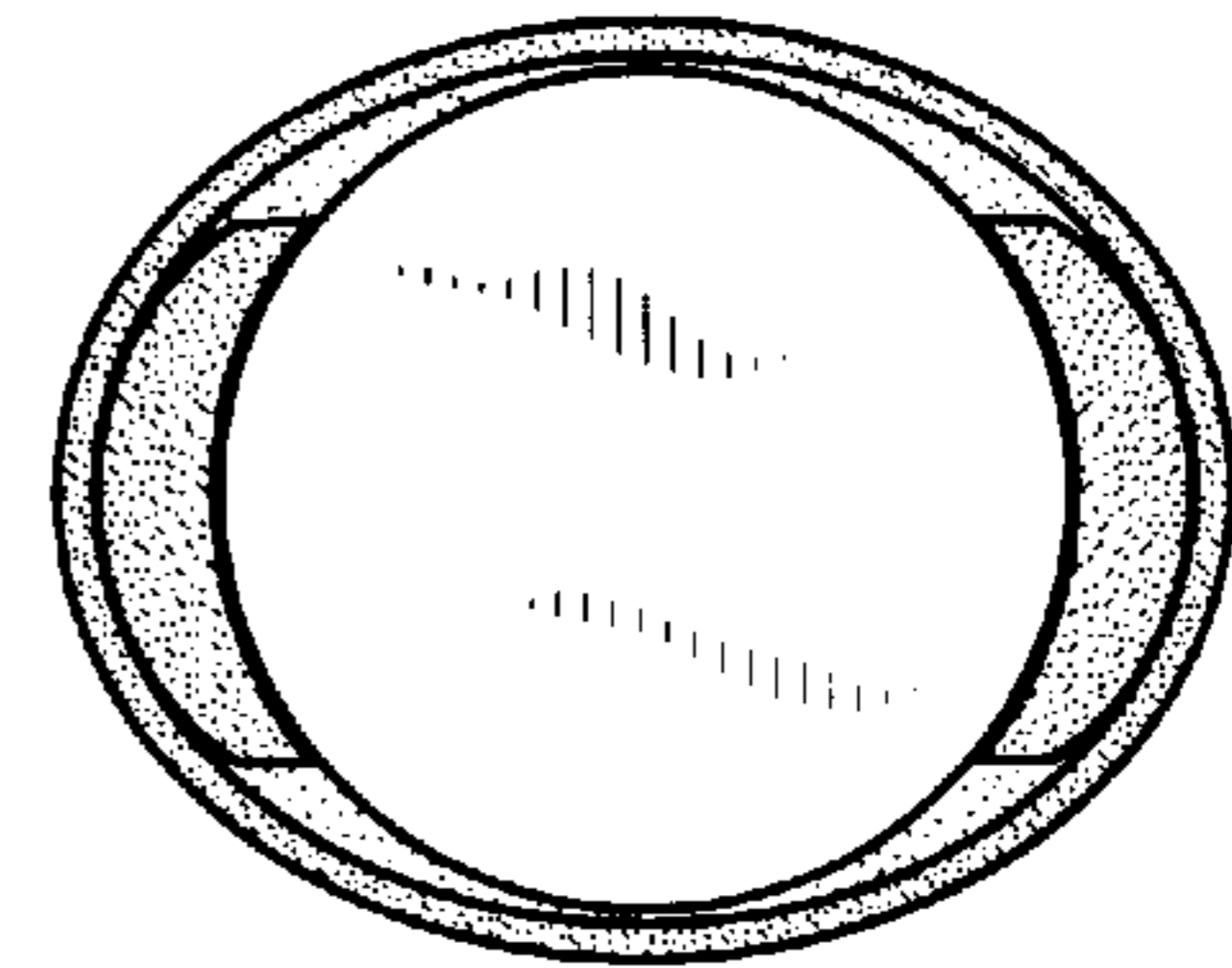


FIG. 11

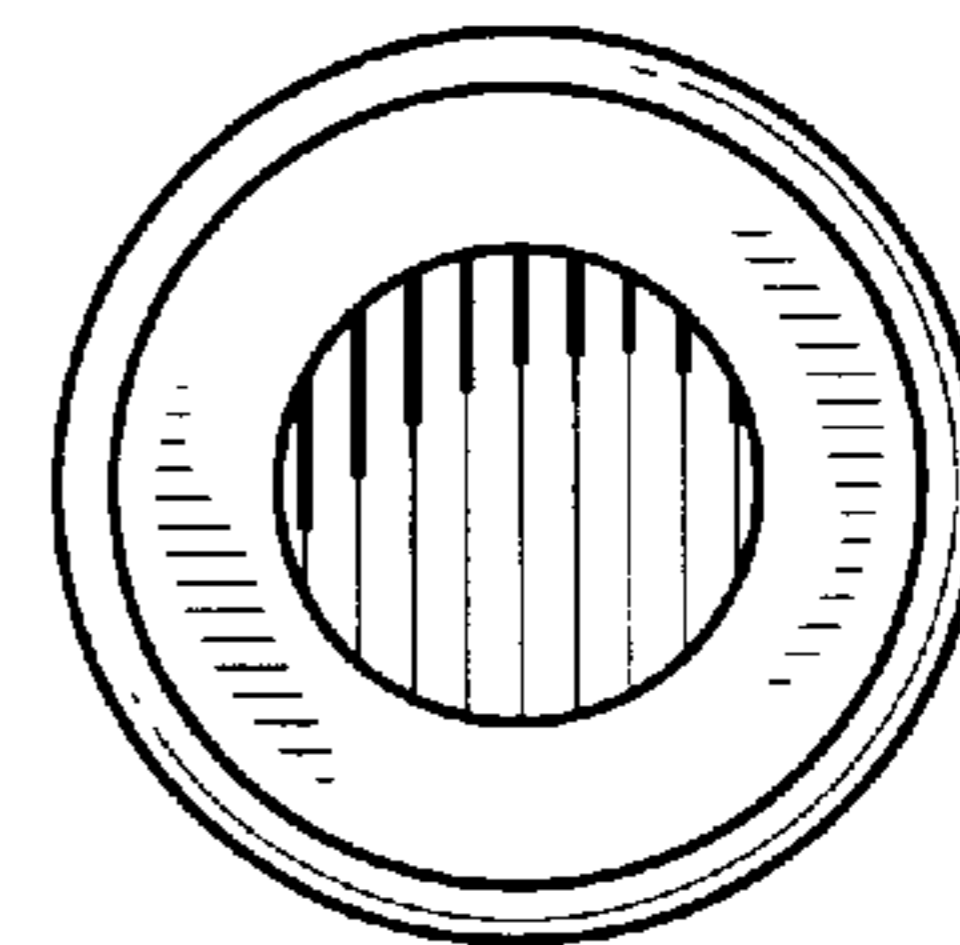


FIG. 12

