



US00D425253S

United States Patent [19] Ayre

[11] **Patent Number: Des. 425,253**

[45] **Date of Patent: ** May 16, 2000**

[54] **HAND DRIER**

[75] Inventor: **Michael Ayre**, Oxfordshire, United Kingdom

[73] Assignee: **Airdri Limited**, Eynsham, United Kingdom

[**] Term: **14 Years**

[21] Appl. No.: **29/097,129**

[22] Filed: **Nov. 30, 1998**

[30] **Foreign Application Priority Data**

May 30, 1998 [GB] United Kingdom 2075036
May 30, 1998 [GB] United Kingdom 2075037

[51] **LOC (7) Cl.** **28-03**

[52] **U.S. Cl.** **D28/54.1**

[58] **Field of Search** D28/54.1; D23/357,
D23/361, 385; 34/97, 201, 202, 241; 219/490,
492, 512; 392/360, 363, 367, 370, 381

[56] **References Cited**

U.S. PATENT DOCUMENTS

D. 293,602 1/1988 Levine D28/54.1
D. 415,857 10/1999 Ayre D28/54.1

Primary Examiner—Terry A. Wallace
Attorney, Agent, or Firm—Davis and Bujold

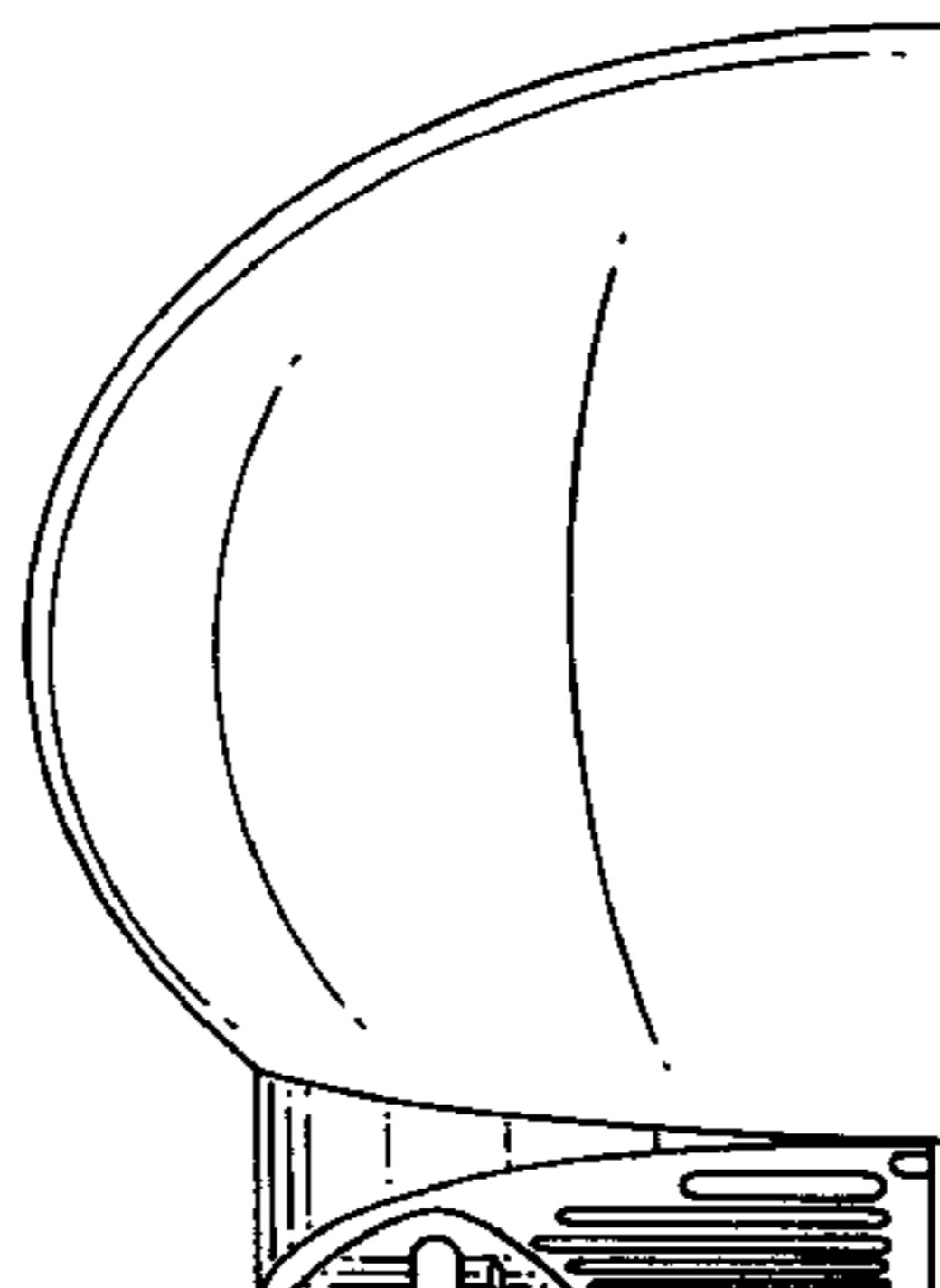
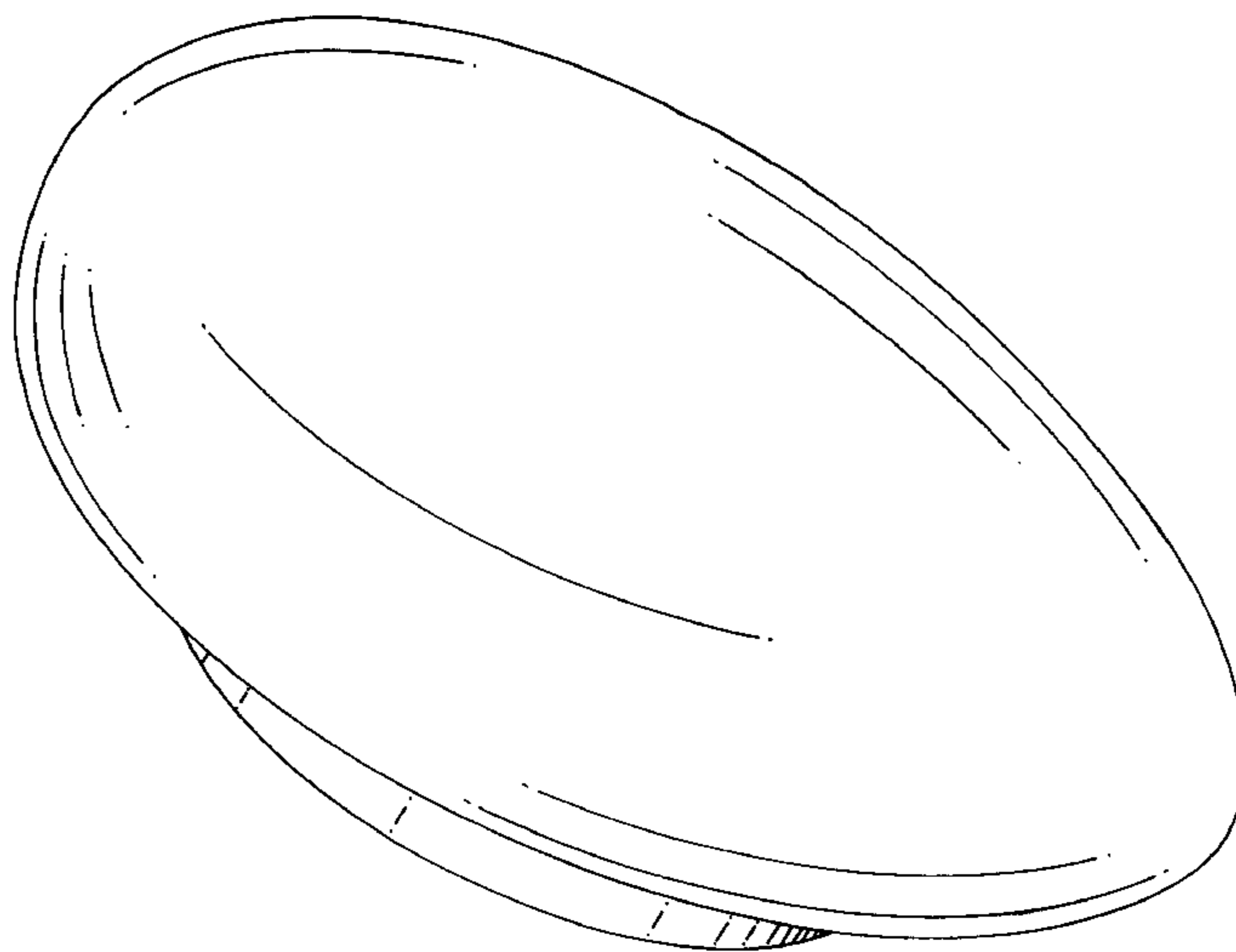
[57] **CLAIM**

I claim the ornamental design for a hand drier, as shown and described.

DESCRIPTION

FIG. 1 is a front, top, right side perspective view of a first embodiment of a hand drier embodying my new design; FIG. 2 is a front elevational view thereof; FIG. 3 is a top plan view thereof; FIG. 4 is a right side elevational view, the left side elevation view being a mirror image thereof; FIG. 5 is a bottom plan view thereof; FIG. 6 is a front, top, right side perspective view of a second embodiment of a hand drier embodying my new design; FIG. 7 is a front elevational view thereof; FIG. 8 is a top plan view thereof; FIG. 9 is a right side elevational view, the left side elevation view being a mirror image thereof; and, FIG. 10 is a bottom plan view thereof. The rear side of the drier is generally planar and forms no part per se of the present design.

1 Claim, 4 Drawing Sheets



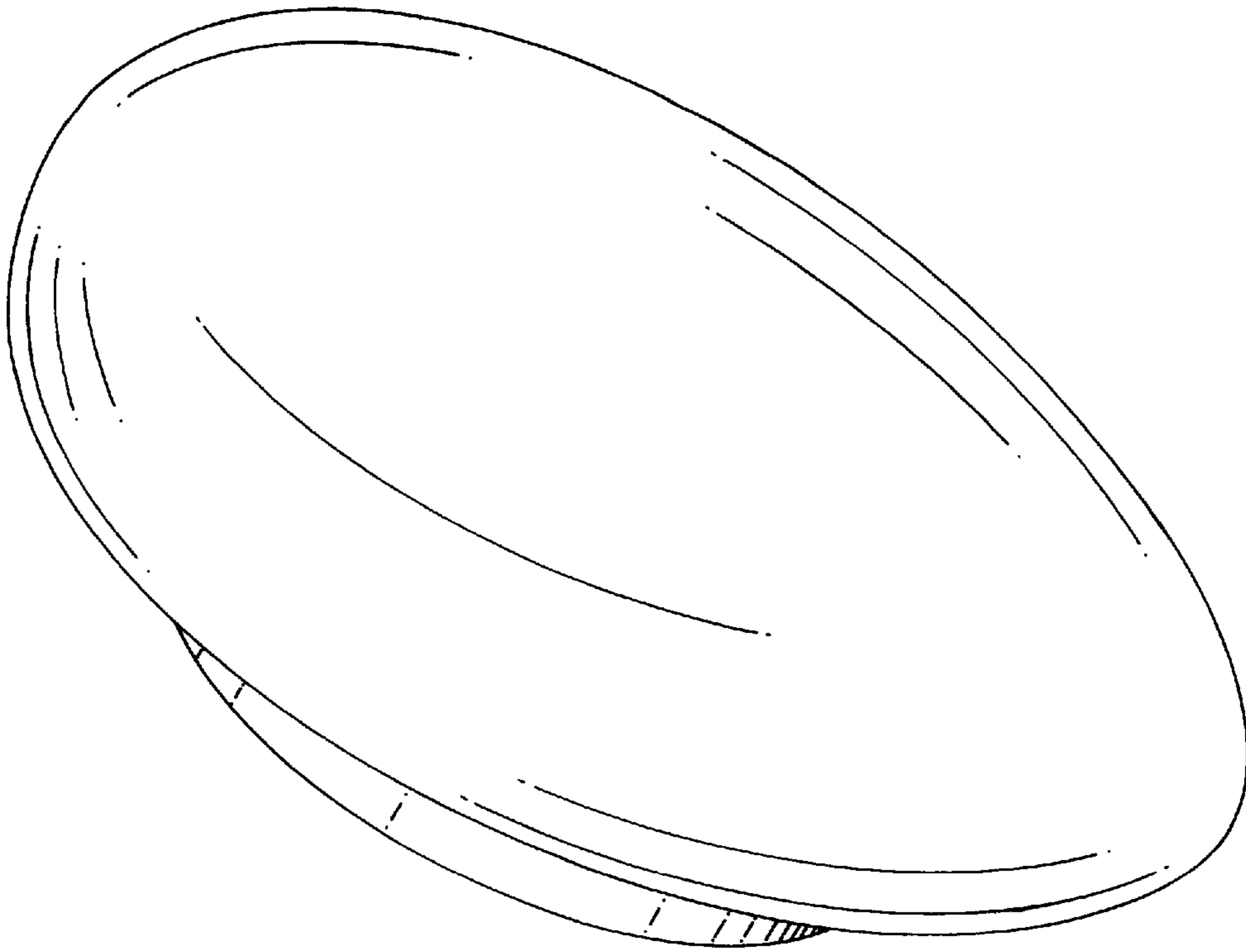


FIG.1

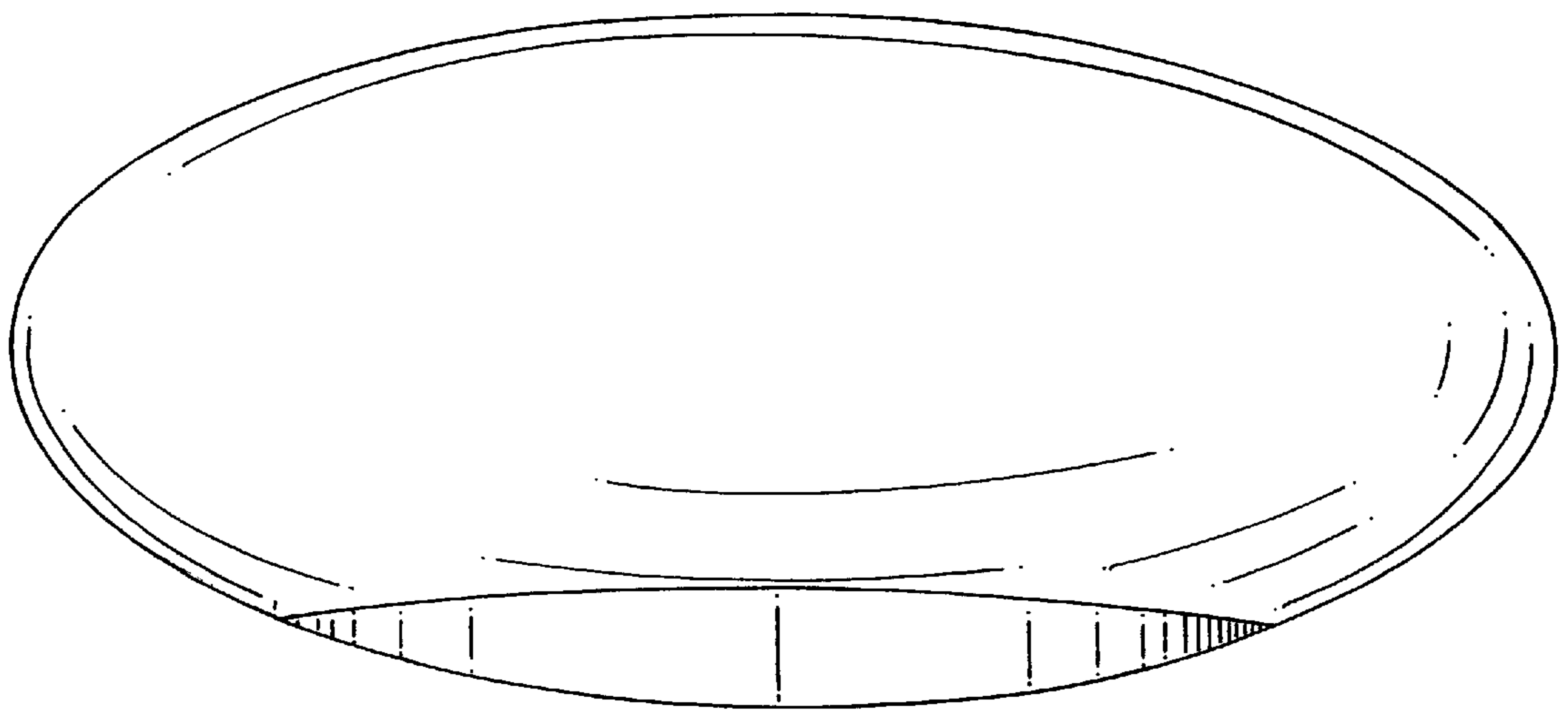


FIG.2

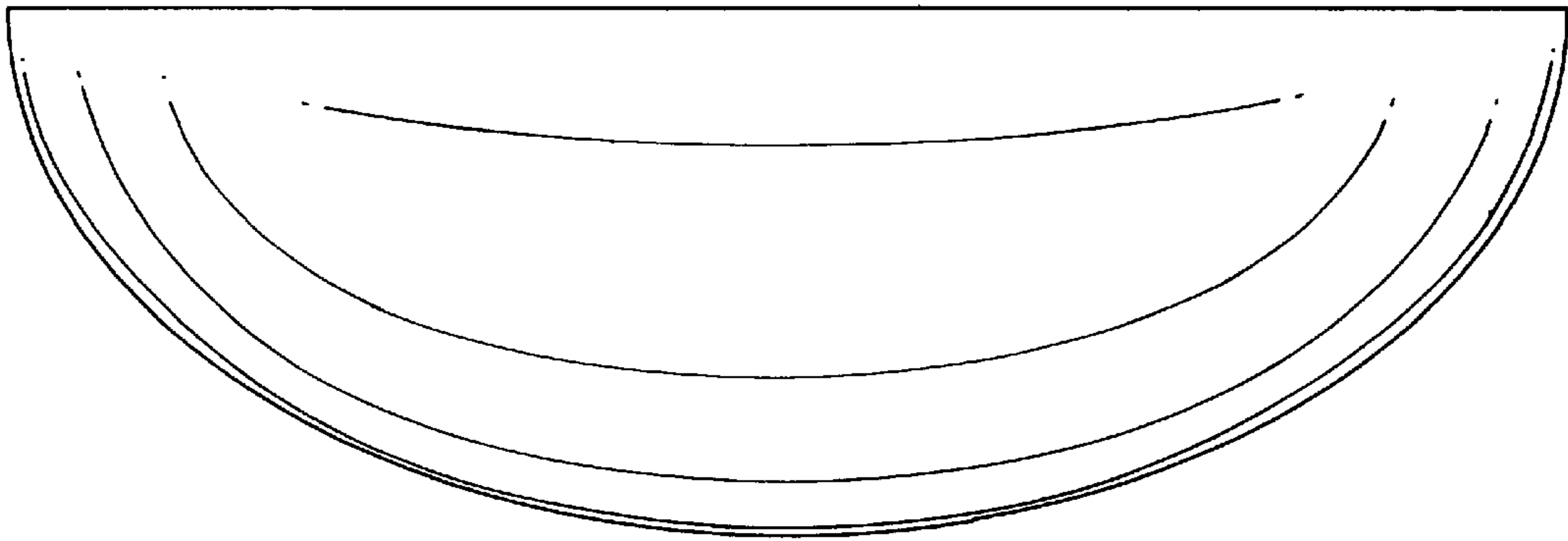


FIG.3

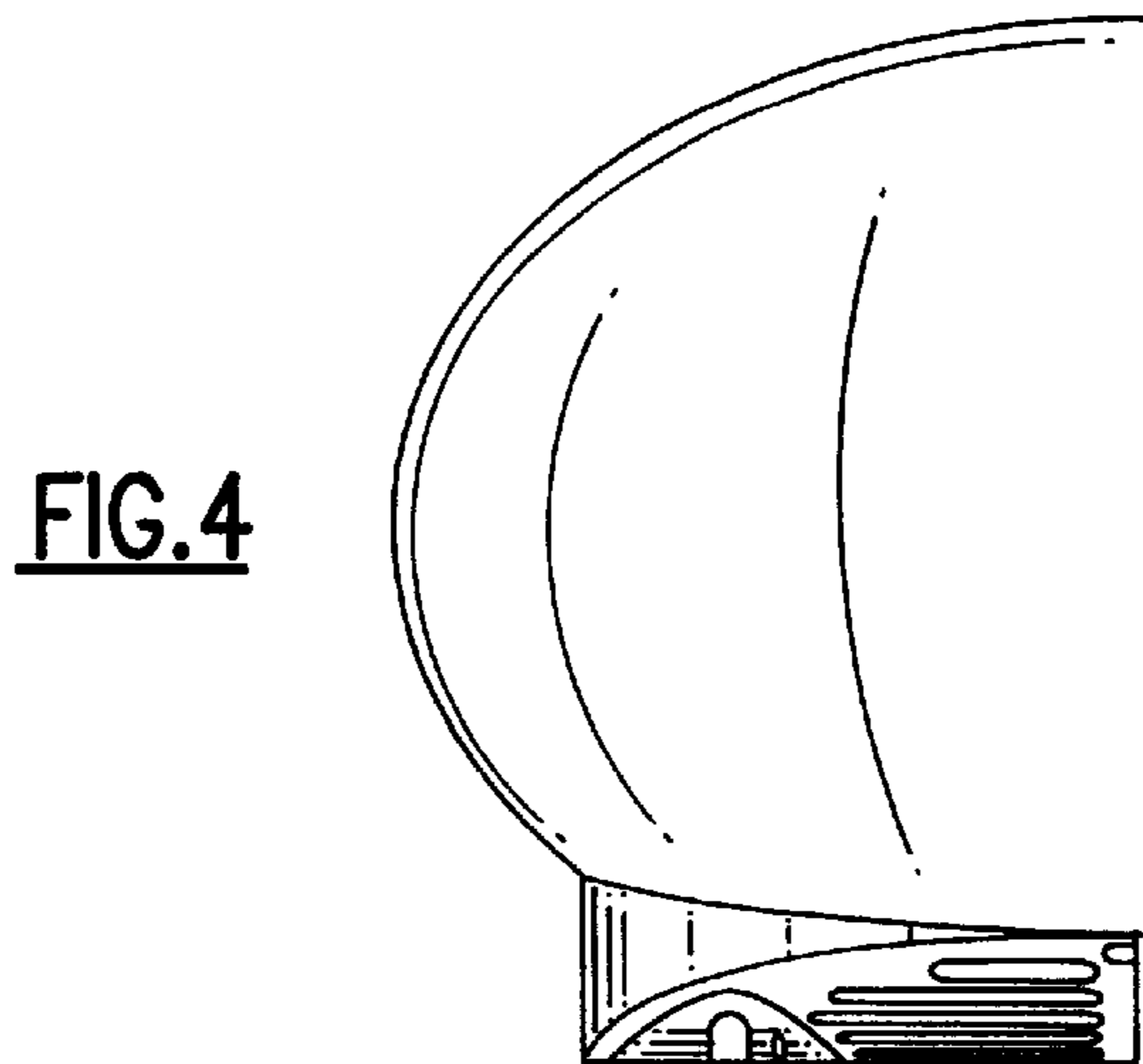


FIG.4

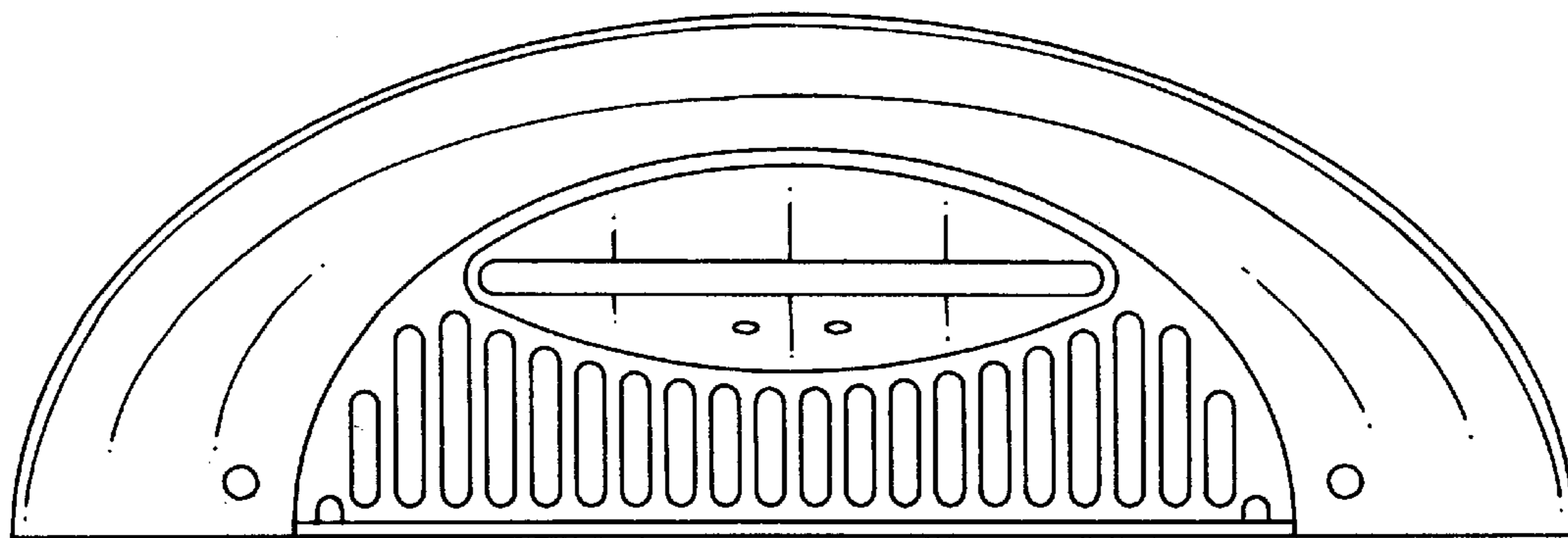


FIG.5

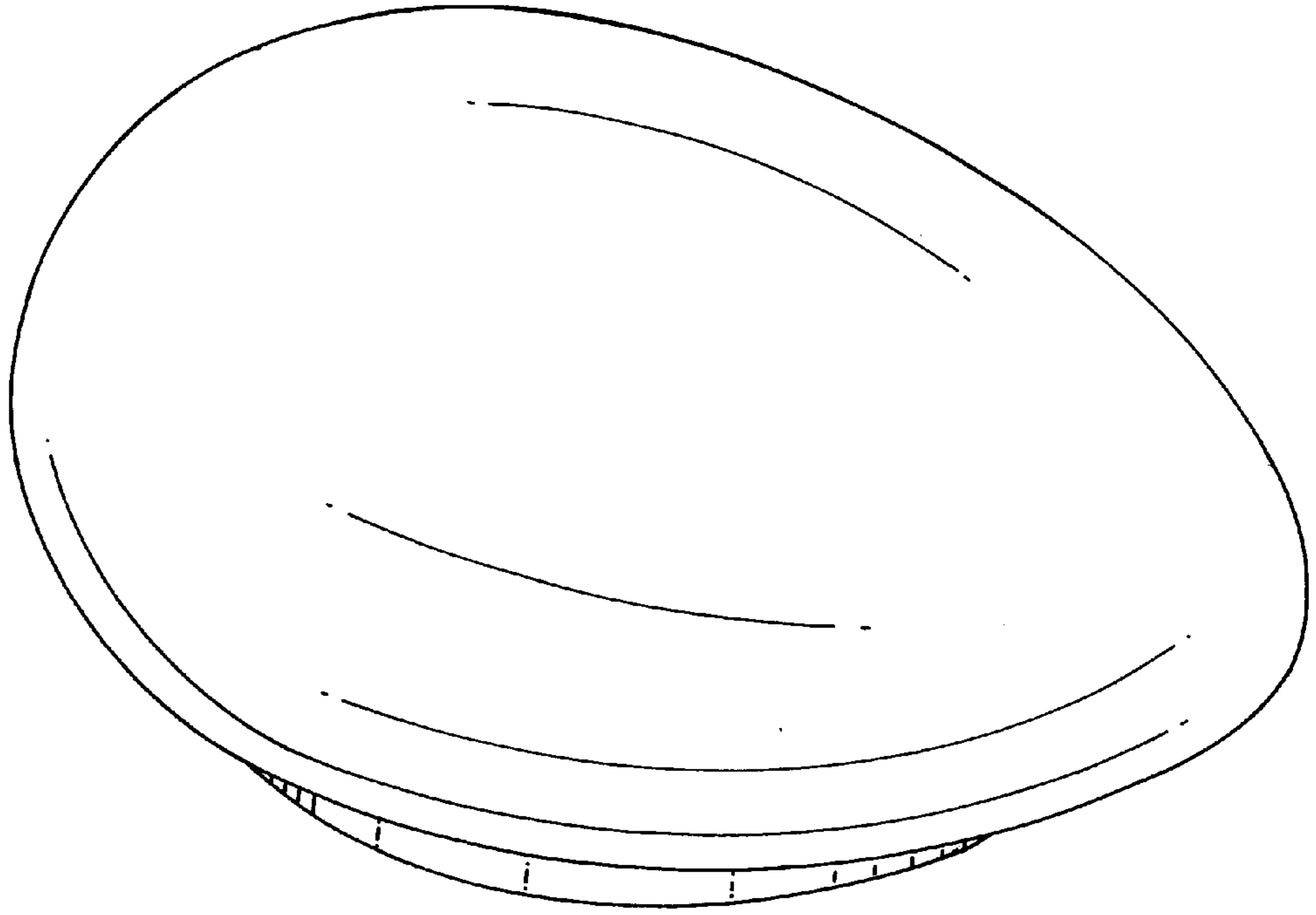


FIG. 6

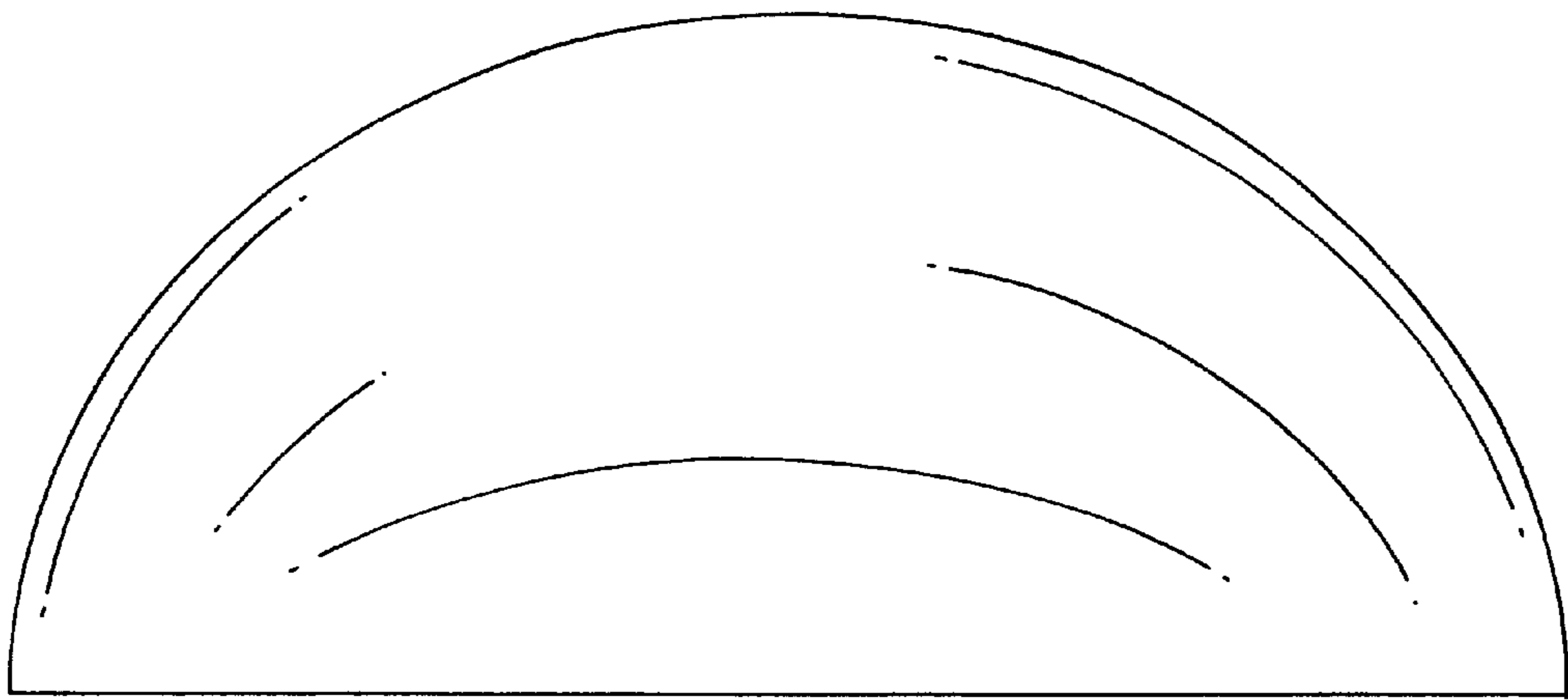


FIG. 8

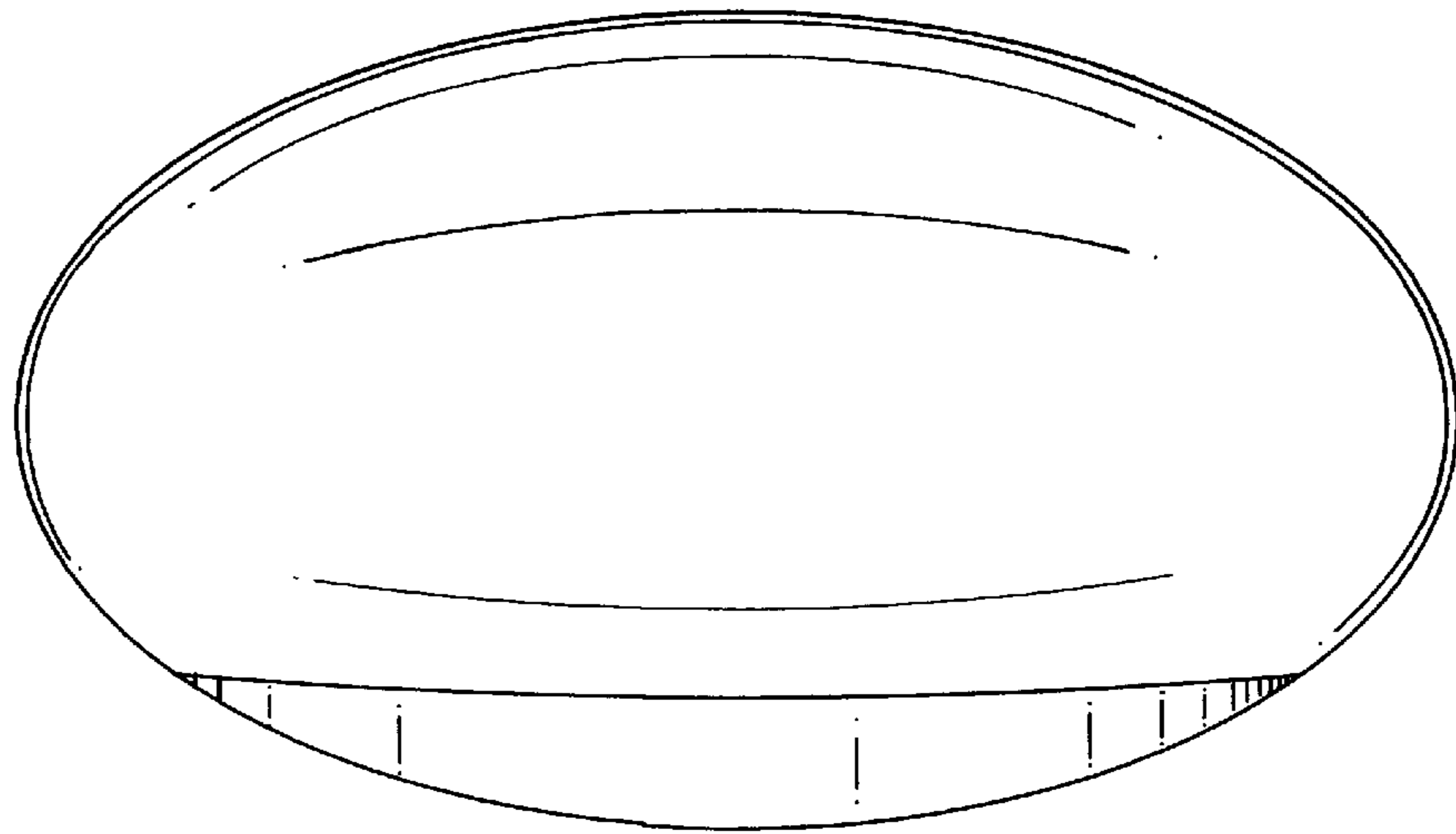


FIG. 7

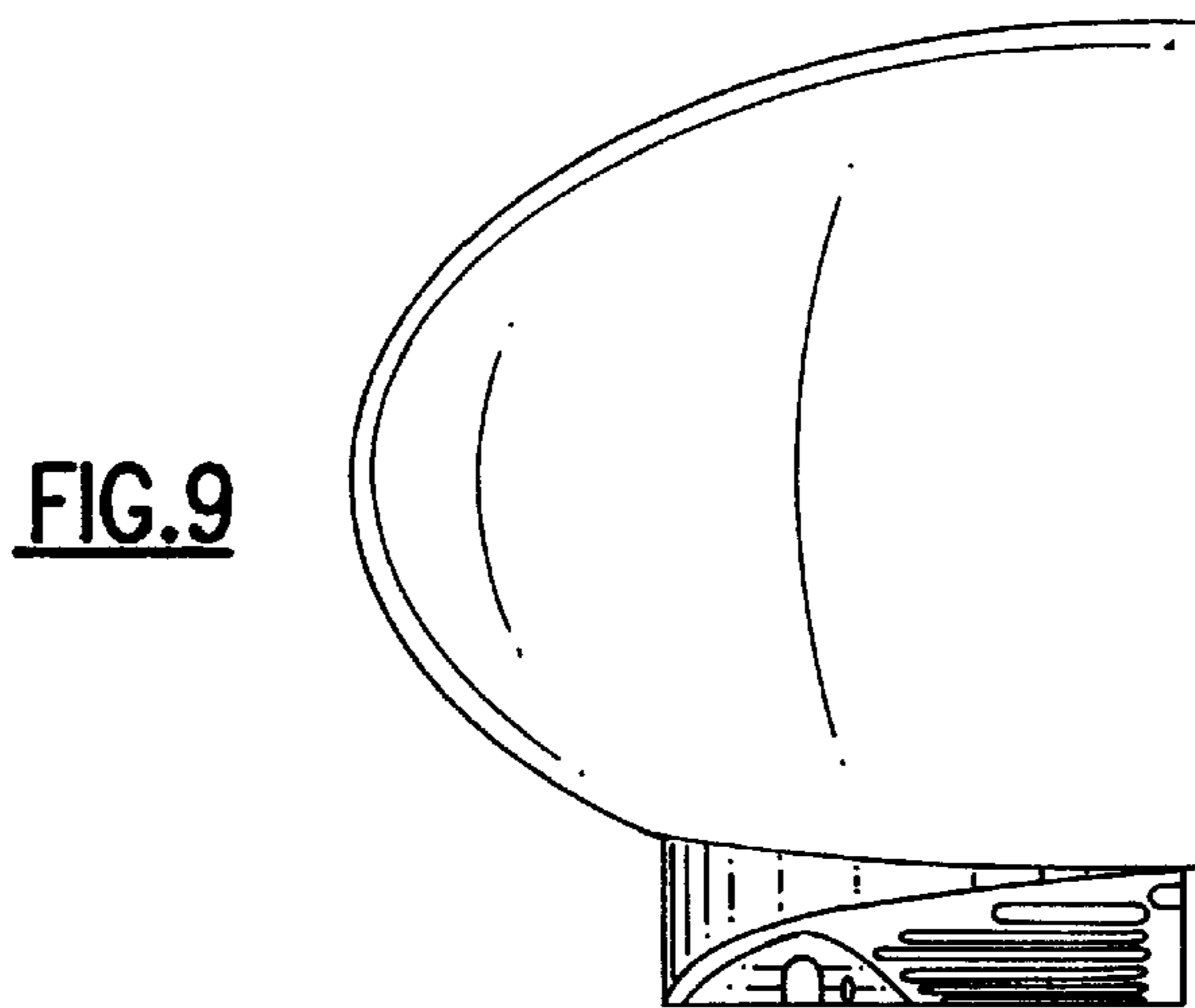


FIG. 9

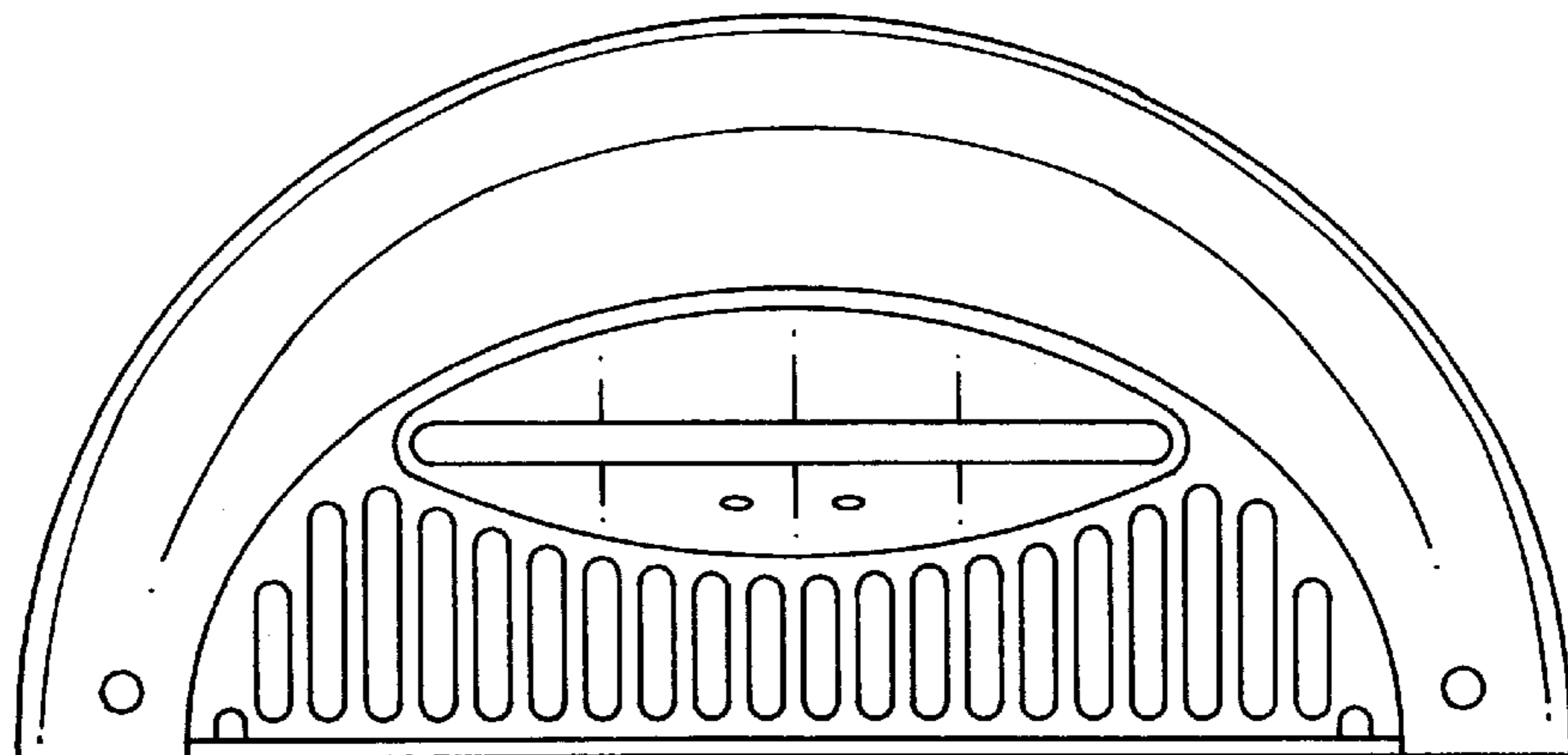


FIG. 10