



US00D425247S

United States Patent [19] Griffin

[11] **Patent Number: Des. 425,247**

[45] **Date of Patent: ** May 16, 2000**

[54] **TRIANGLE CURLING IRON**

3,516,420 6/1970 Porter 132/263
5,025,850 6/1991 Simpson 132/223 X

[75] Inventor: **Deidre Ann Griffin**, Plaquemine, La.

FOREIGN PATENT DOCUMENTS

[73] Assignee: **Deidre A. Griffin**, Plaquemine, La.

781580 5/1935 France .
128008 2/1902 Germany 132/224
445850 6/1927 Germany 132/225
477521 7/1927 Germany 132/224
166359 3/1934 Switzerland 132/225
30372 of 1897 United Kingdom 132/225

[**] Term: **14 Years**

[21] Appl. No.: **29/092,020**

[22] Filed: **Aug. 11, 1998**

Primary Examiner—Ted Shooman
Assistant Examiner—C. Tuttle

[51] **LOC (7) Cl.** **28-03**

[52] **U.S. Cl.** **D28/35**

[58] **Field of Search** D28/35; 132/223–268;
219/225, 222

[57] CLAIM

The ornamental design for a triangle curling iron, as shown and described.

[56] References Cited

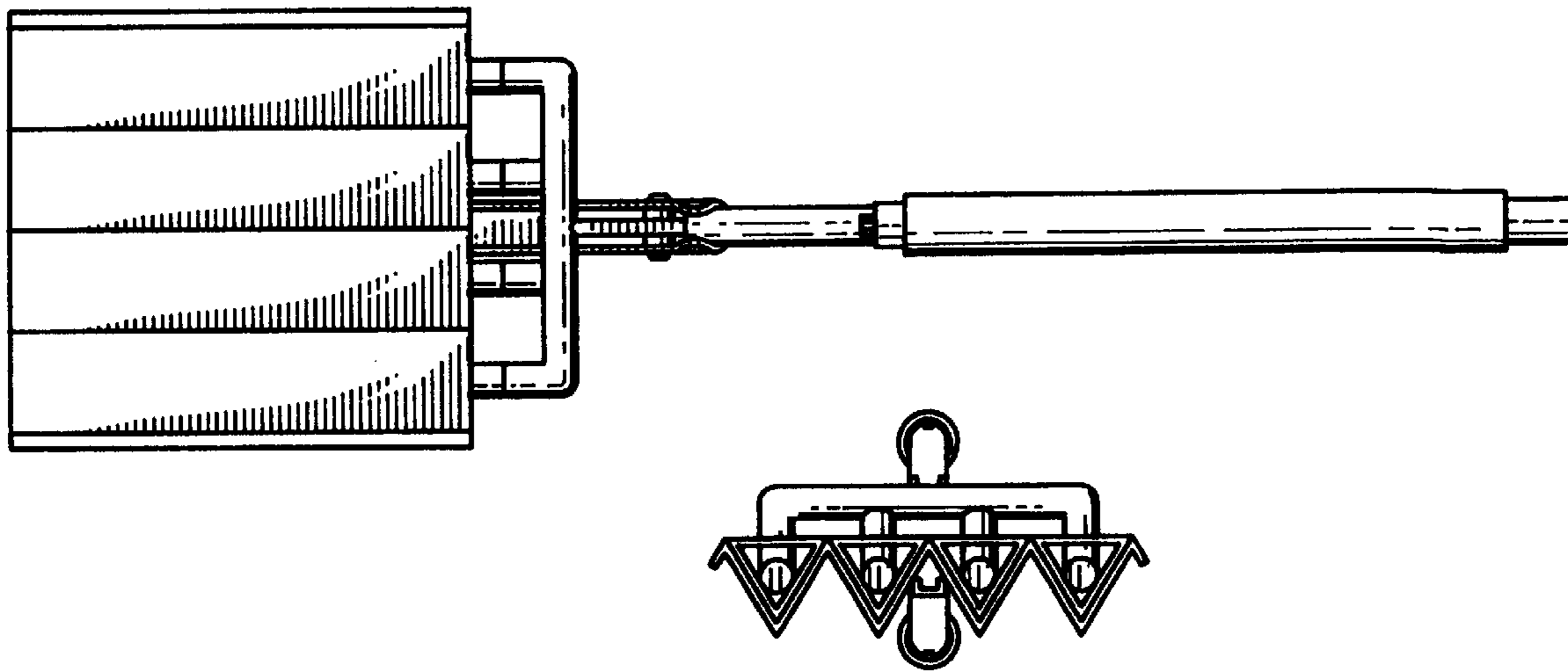
U.S. PATENT DOCUMENTS

D. 31,971	12/1899	Levy	D28/35
D. 269,555	6/1983	Peterson	D28/35
D. 306,358	2/1990	Rizzuto et al.	D28/35
D. 341,906	11/1993	Hall-Bembry	D28/35
570,413	10/1896	Thompson	132/224
922,949	5/1909	Prudhomme	132/224
1,473,977	11/1923	Schaumberg	132/225
1,591,207	7/1926	Berthelsen	132/225
1,625,440	4/1927	Wagner et al.	132/224
2,550,295	4/1951	Price	132/263

DESCRIPTION

FIG. 1 is a side view of the triangle curling iron, the side opposite being a mirror image thereof; FIG. 2 is a top view of the triangle curling iron; FIG. 3 is a front view of the triangle curling iron; and, FIG. 4 is a rear view of the triangle curling iron. The surface(s) or portion(s) of the article not shown in the drawing or described in the specification forms no part of the claimed design.

1 Claim, 1 Drawing Sheet



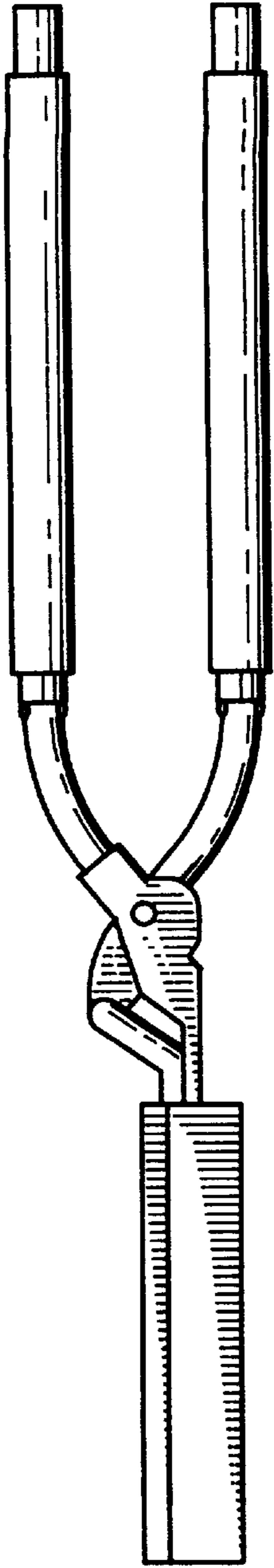


FIGURE 1

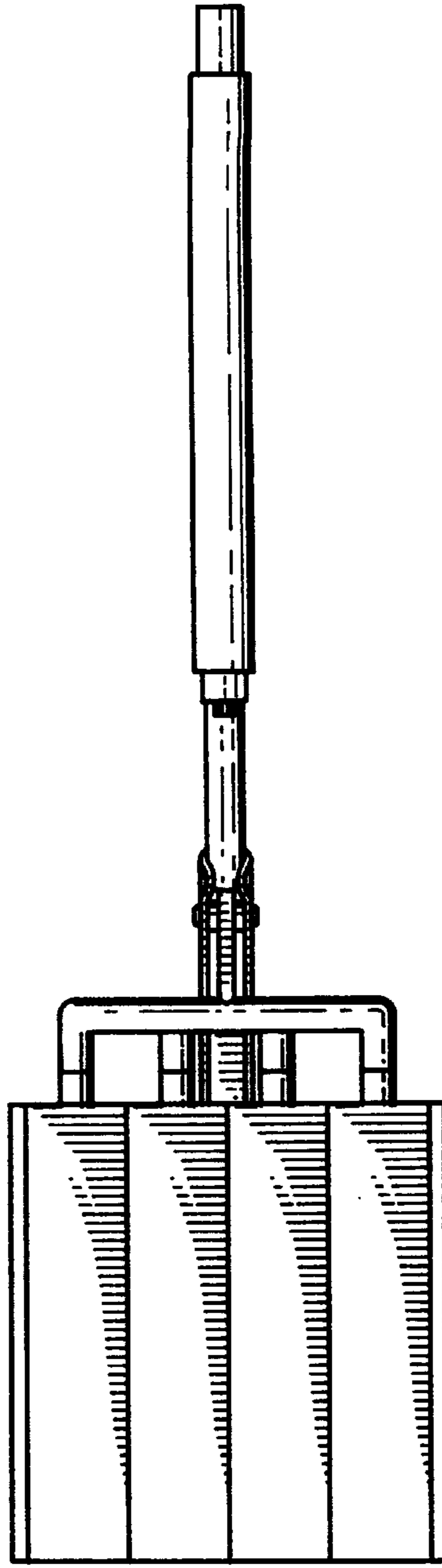


FIGURE 2

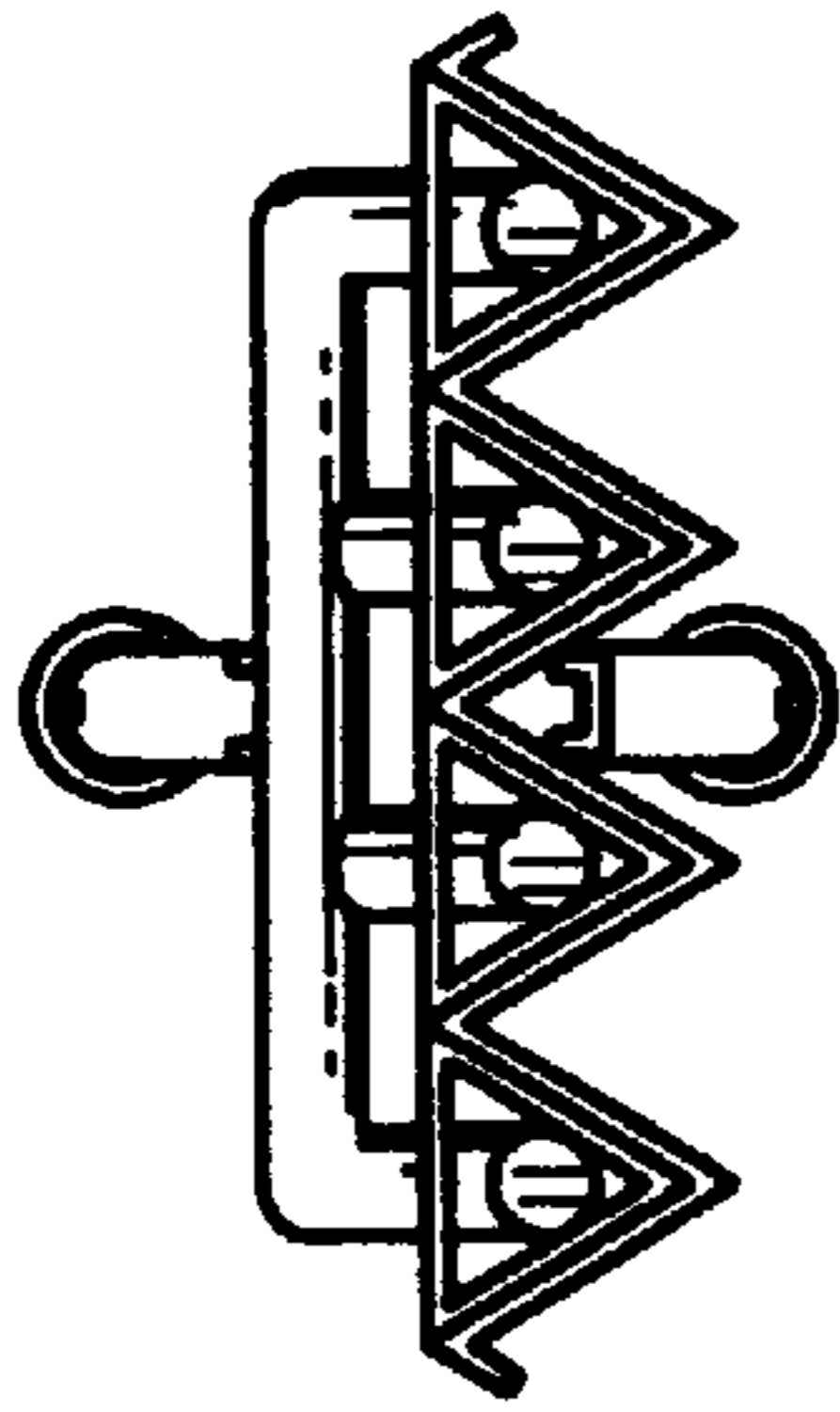


FIGURE 3

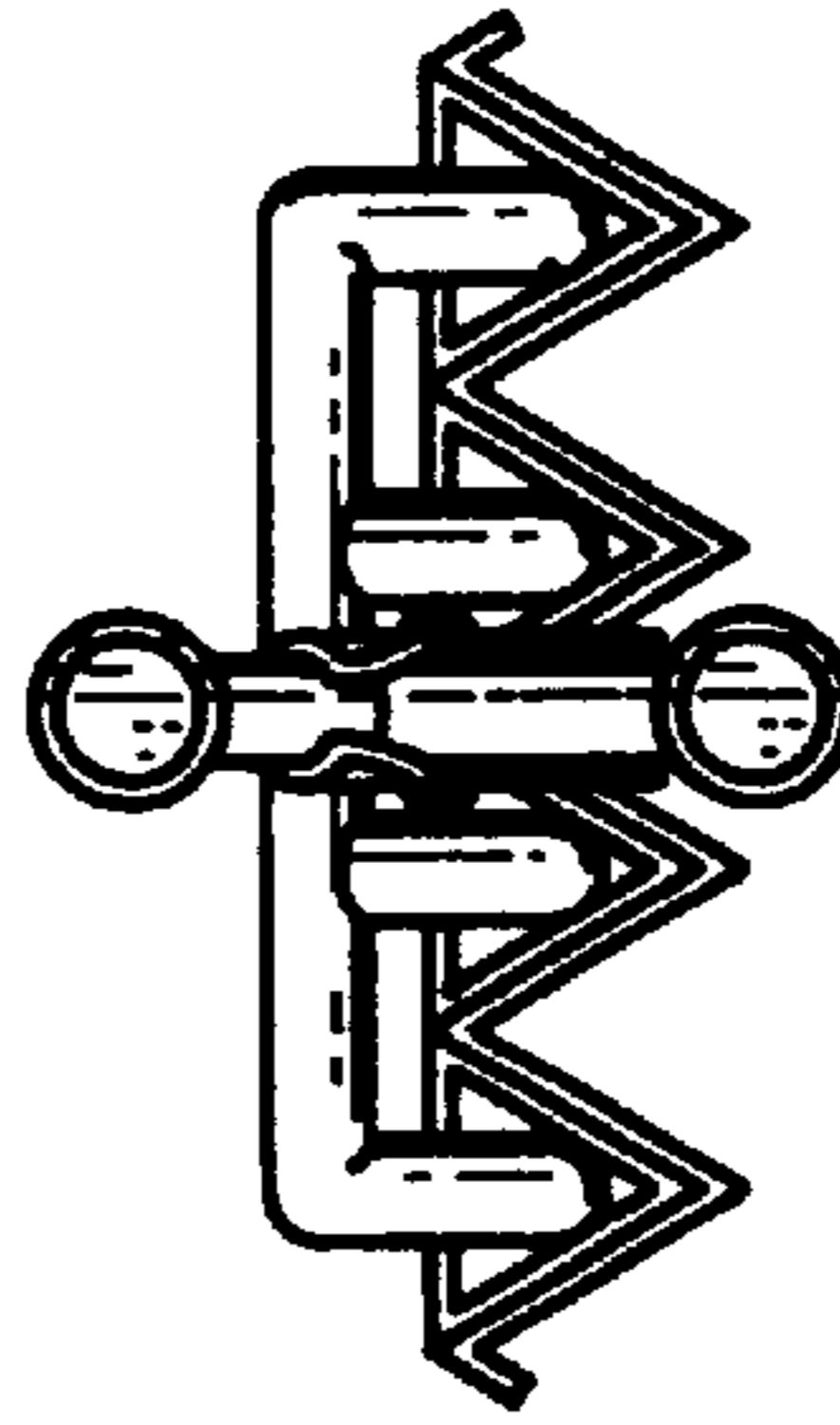


FIGURE 4