



US00D425246S

# United States Patent [19] Griffin

[11] Patent Number: **Des. 425,246**

[45] Date of Patent: **\*\* May 16, 2000**

[54] ARCH-TRIANGLE CURLING IRON

3,516,420 6/1970 Porter ..... 132/263  
5,025,850 6/1991 Simpson ..... 132/223 X

[75] Inventor: **Deidre Ann Griffin**, Plaquemine, La.

### FOREIGN PATENT DOCUMENTS

[73] Assignee: **Deidre A. Griffin**, Plaquemine, La.

781580 5/1935 France .  
128008 2/1902 Germany ..... 132/224  
445850 6/1927 Germany ..... 132/225  
477521 7/1927 Germany ..... 132/224  
166359 3/1934 Switzerland ..... 132/225  
30372 12/1897 United Kingdom ..... 132/225

[\*\*] Term: **14 Years**

[21] Appl. No.: **29/092,018**

[22] Filed: **Aug. 11, 1998**

*Primary Examiner*—Ted Shooman  
*Assistant Examiner*—C. Tuttle

[51] LOC (7) Cl. .... **28-03**

[52] U.S. Cl. .... **D28/35**

[58] Field of Search ..... D28/35; 132/223-269;  
219/222, 225

### [57] CLAIM

The ornamental design for an arch-triangle curling iron, as shown and described.

### [56] References Cited

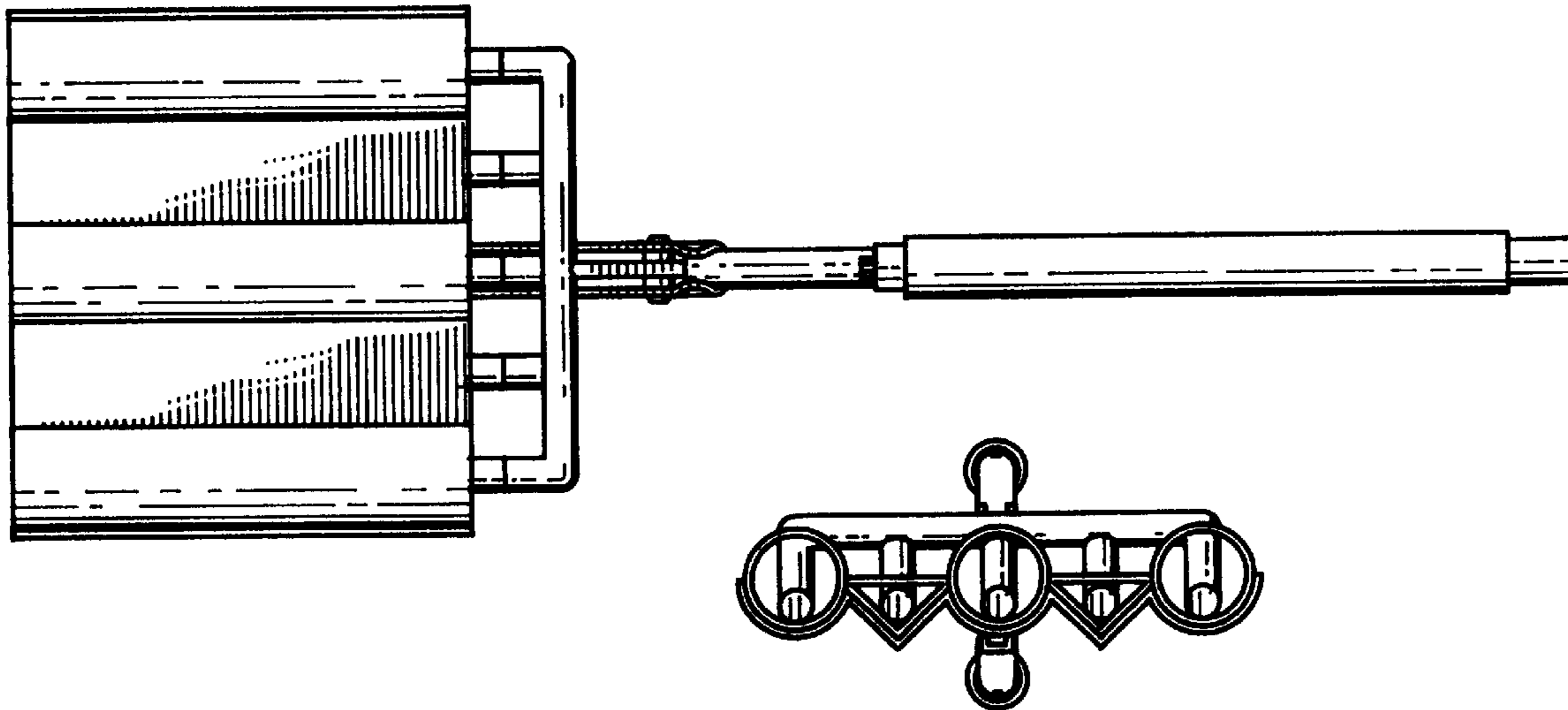
#### U.S. PATENT DOCUMENTS

|            |         |                |       |         |
|------------|---------|----------------|-------|---------|
| D. 31,971  | 12/1899 | Levy           | ..... | D28/35  |
| D. 269,555 | 6/1983  | Peterson       | ..... | D28/35  |
| D. 306,358 | 2/1990  | Rizzuto et al. | ..... | D28/35  |
| D. 341,906 | 11/1993 | Hall-Bembry    | ..... | D28/35  |
| 570,413    | 10/1896 | Thompson       | ..... | 132/224 |
| 922,949    | 5/1909  | Prudhomme      | ..... | 132/224 |
| 1,473,977  | 11/1923 | Schaumberg     | ..... | 132/225 |
| 1,591,207  | 7/1926  | Berthelsen     | ..... | 132/225 |
| 1,625,440  | 4/1927  | Wagner et al.  | ..... | 132/224 |
| 2,550,295  | 4/1951  | Price          | ..... | 132/263 |

### DESCRIPTION

FIG. 1 is a side view of the arch-triangle curling iron the side opposite being a mirror image thereof;  
FIG. 2 is a top view of the arch-triangle curling iron;  
FIG. 3 is a front view of the arch-triangle curling iron; and,  
FIG. 4 is a rear view of the arch-triangle curling iron.  
The surfaces or portions of the article not shown in the drawing or described in the specification forms no part of the claimed design.

**1 Claim, 1 Drawing Sheet**



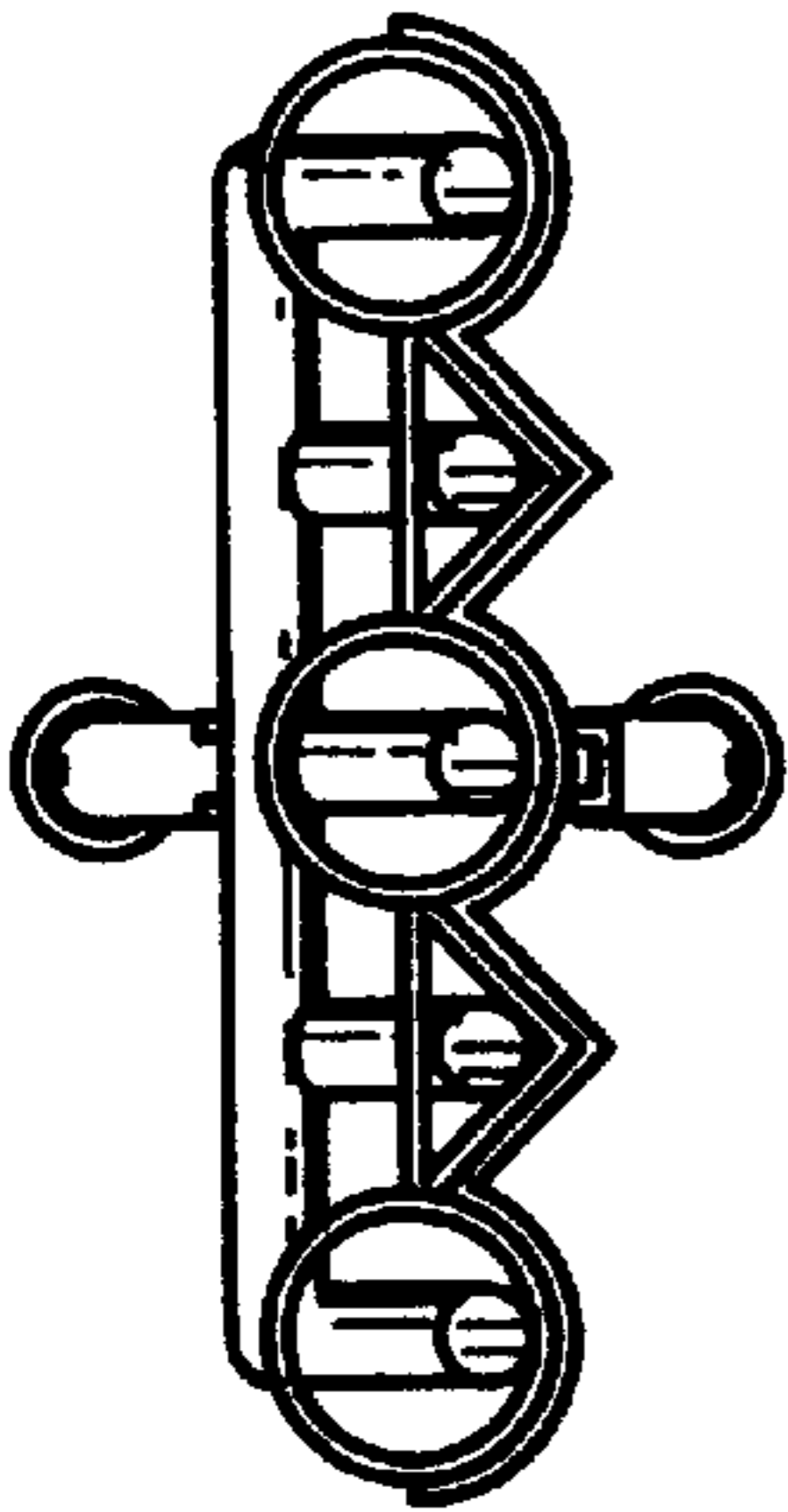


FIGURE 3

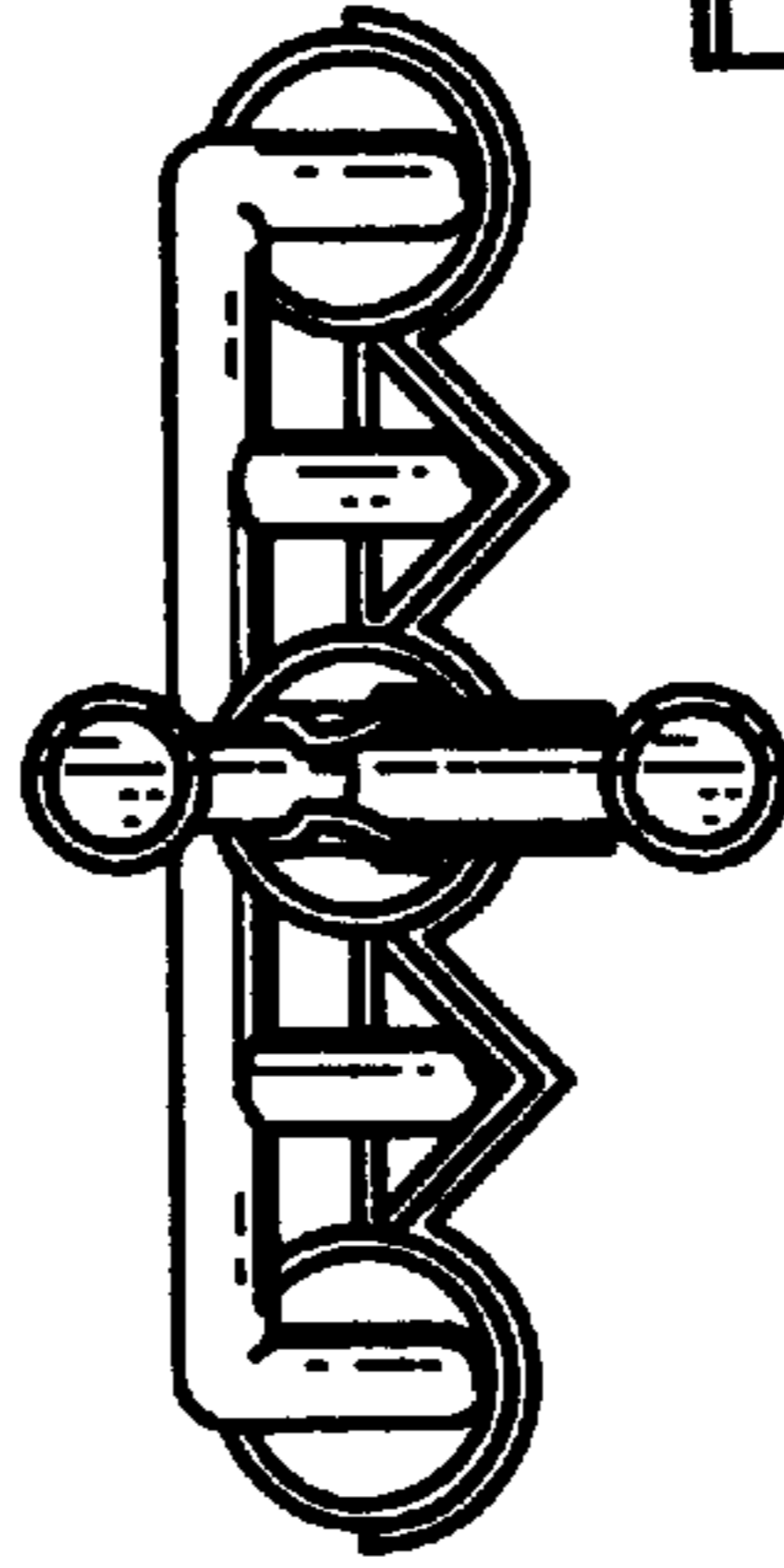


FIGURE 4

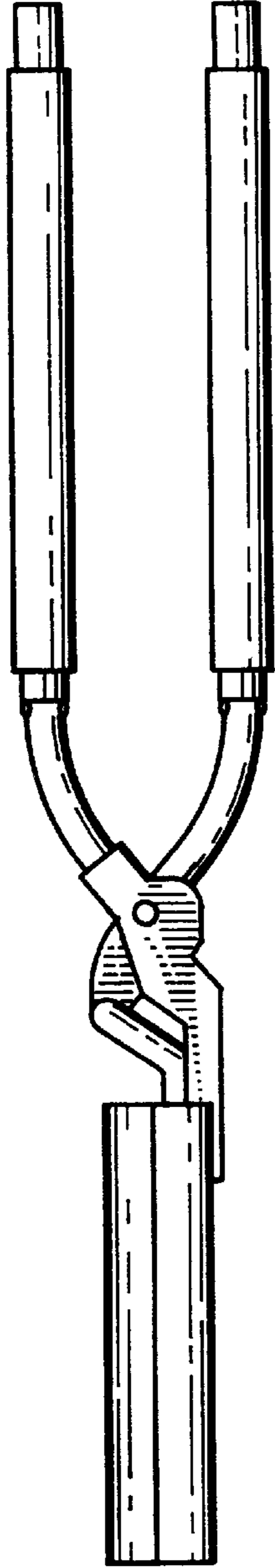


FIGURE 1

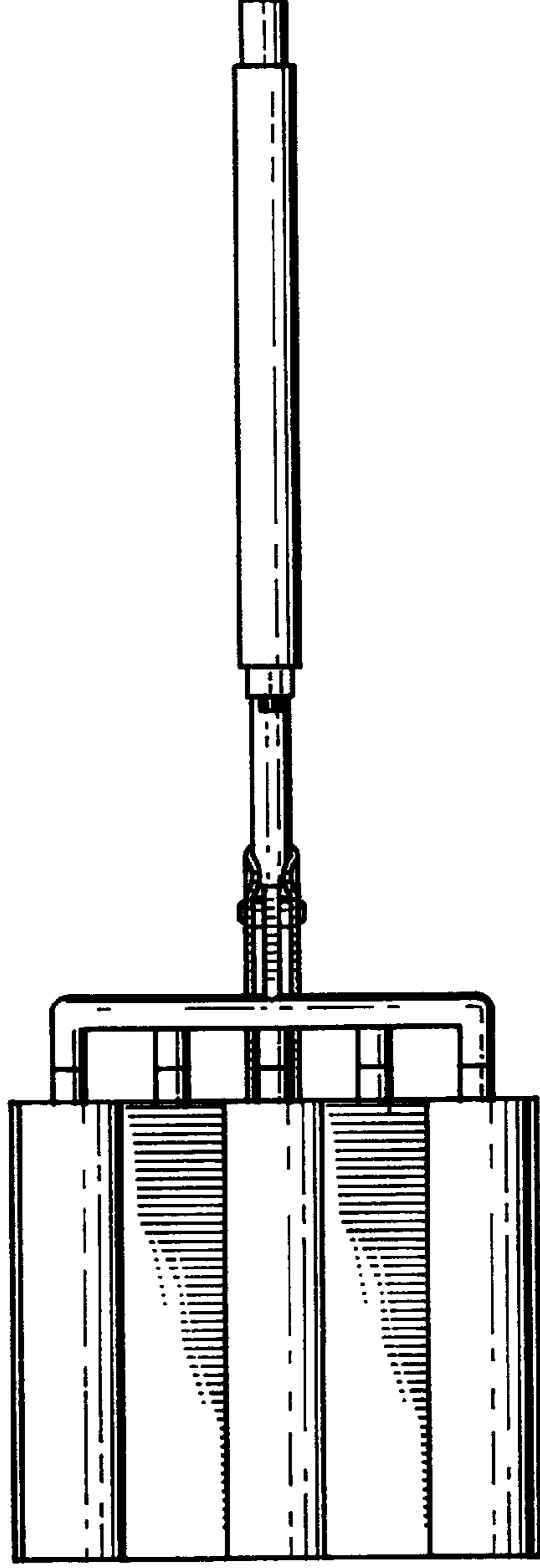


FIGURE 2