



US00D425245S

# United States Patent [19] Davis

[11] Patent Number: **Des. 425,245**

[45] Date of Patent: **\*\* May 16, 2000**

[54] **ADJUSTABLE SHAMPOO TABLE**

[76] Inventor: **Martha Ann Tisdale Davis**, Rte. 2,  
Box 179, Opp, Ala. 36467

[\*\*] Term: **14 Years**

[21] Appl. No.: **29/093,839**

[22] Filed: **Sep. 18, 1998**

[51] **LOC (7) Cl.** ..... **28-03**

[52] **U.S. Cl.** ..... **D28/20**

[58] **Field of Search** ..... D28/9, 20, 99;  
D23/278, 304, 308; D6/333-335, 360-363,  
367, 368, 371, 374, 375, 382, 383, 392;  
D24/183, 188, 190, 191, 193; 4/515-517,  
519, 523, 571.1, 572.1, 573.1, 575.1, 578.1,  
585, 586, 587, 589, 590, 659

[56] **References Cited**

**U.S. PATENT DOCUMENTS**

D. 149,403	4/1948	Brecher	.....	D6/382
D. 170,860	11/1953	Harris	.....	D6/502
D. 241,902	10/1976	Corbo	.....	D6/502
D. 273,142	3/1984	Briggs	.....	D28/20
2,133,223	10/1938	Brightman et al.	.	
2,461,744	2/1949	Lafield	.....	4/659
2,697,480	12/1954	Du Bois et al.	.....	297/325
3,072,923	1/1963	Zuke	.	

3,505,691	4/1970	Reynolds et al.	.....	5/517
4,196,478	4/1980	Cowell	.....	4/515
4,754,503	7/1988	Martin	.....	4/517
5,599,063	2/1997	Lister et al.	.....	297/325

*Primary Examiner*—Ted Shooman  
*Assistant Examiner*—C Tuttle  
*Attorney, Agent, or Firm*—Carrier, Blackman & Associates,  
P.c.; Joseph P. Carrier; William D. Blackman

[57] **CLAIM**

The ornamental design for an adjustable shampoo table, substantially as shown and described.

**DESCRIPTION**

FIG. 1 is a perspective view of an adjustable shampoo table in accordance with the present invention;  
FIG. 2 is a top plan view thereof;  
FIG. 3 is a right side elevational view thereof;  
FIG. 4 is a back elevational view thereof;  
FIG. 5 is a left side elevational view thereof;  
FIG. 6 is a front elevational view thereof; and,  
FIG. 7 is a bottom plan view thereof.

The adjustable shampoo table according to my new, original and ornamental design is used in a bathtub environment for safely and adjustably supporting a child in a supine position while shampooing the child's hair.

**1 Claim, 2 Drawing Sheets**

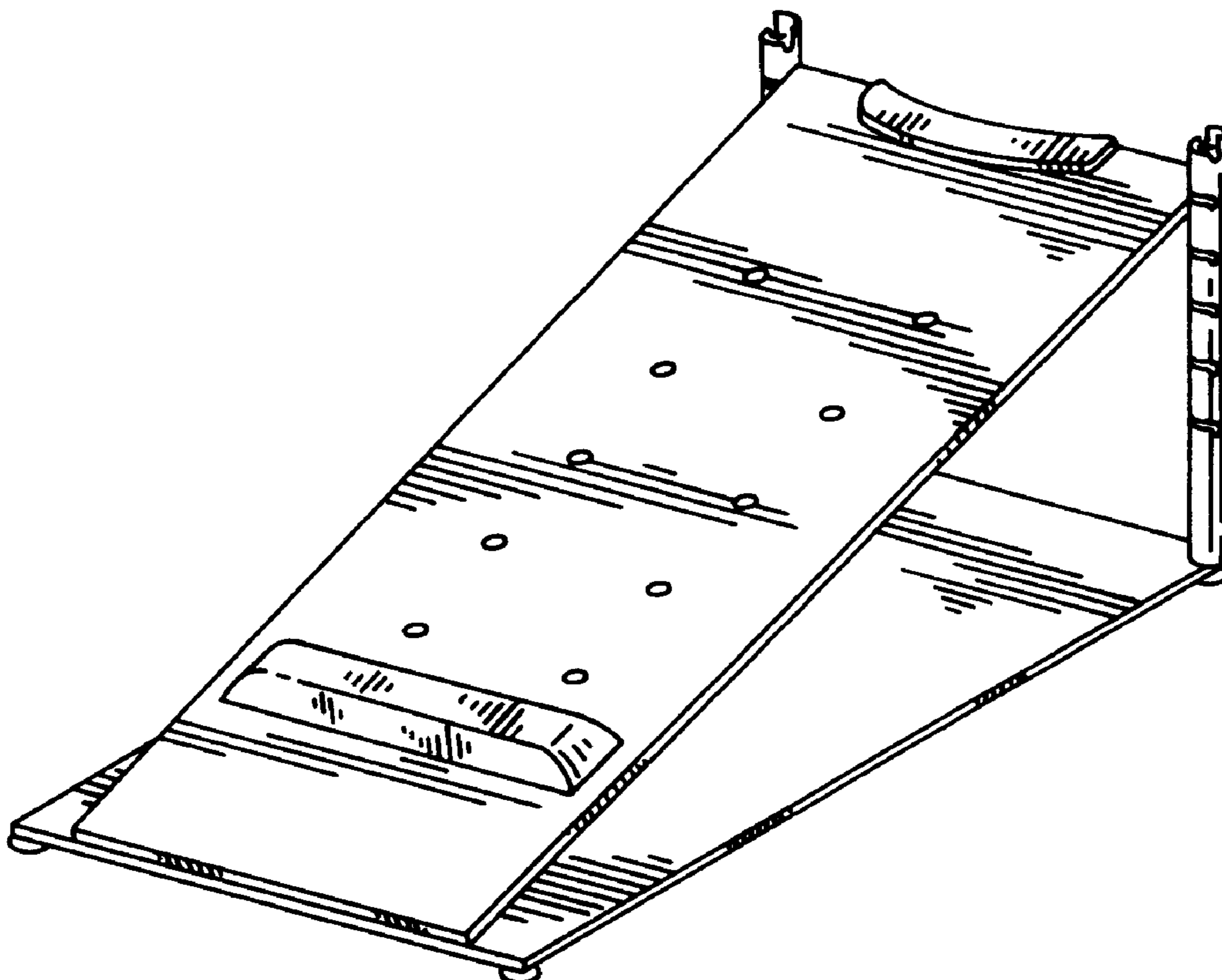


FIG 1

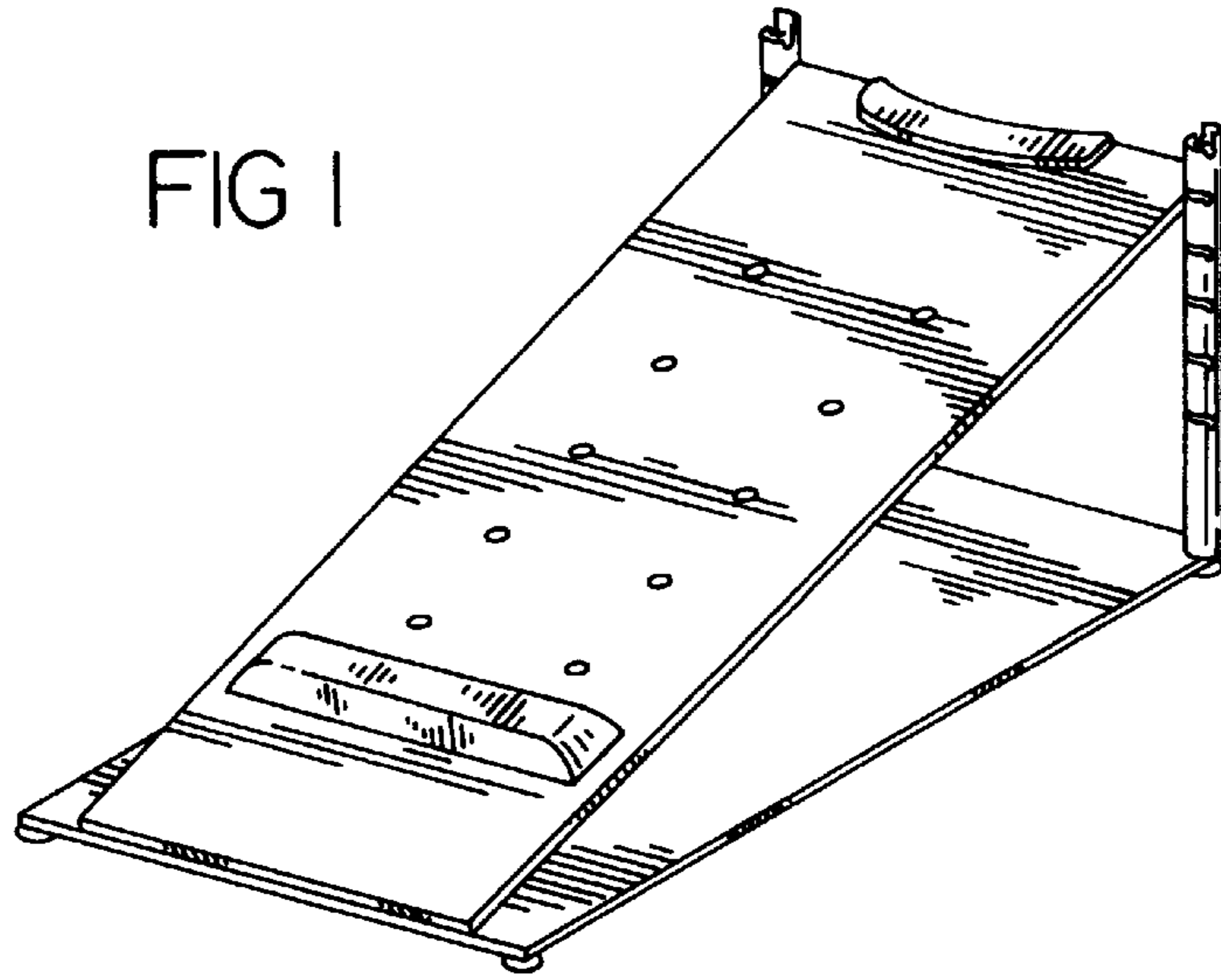


FIG 2

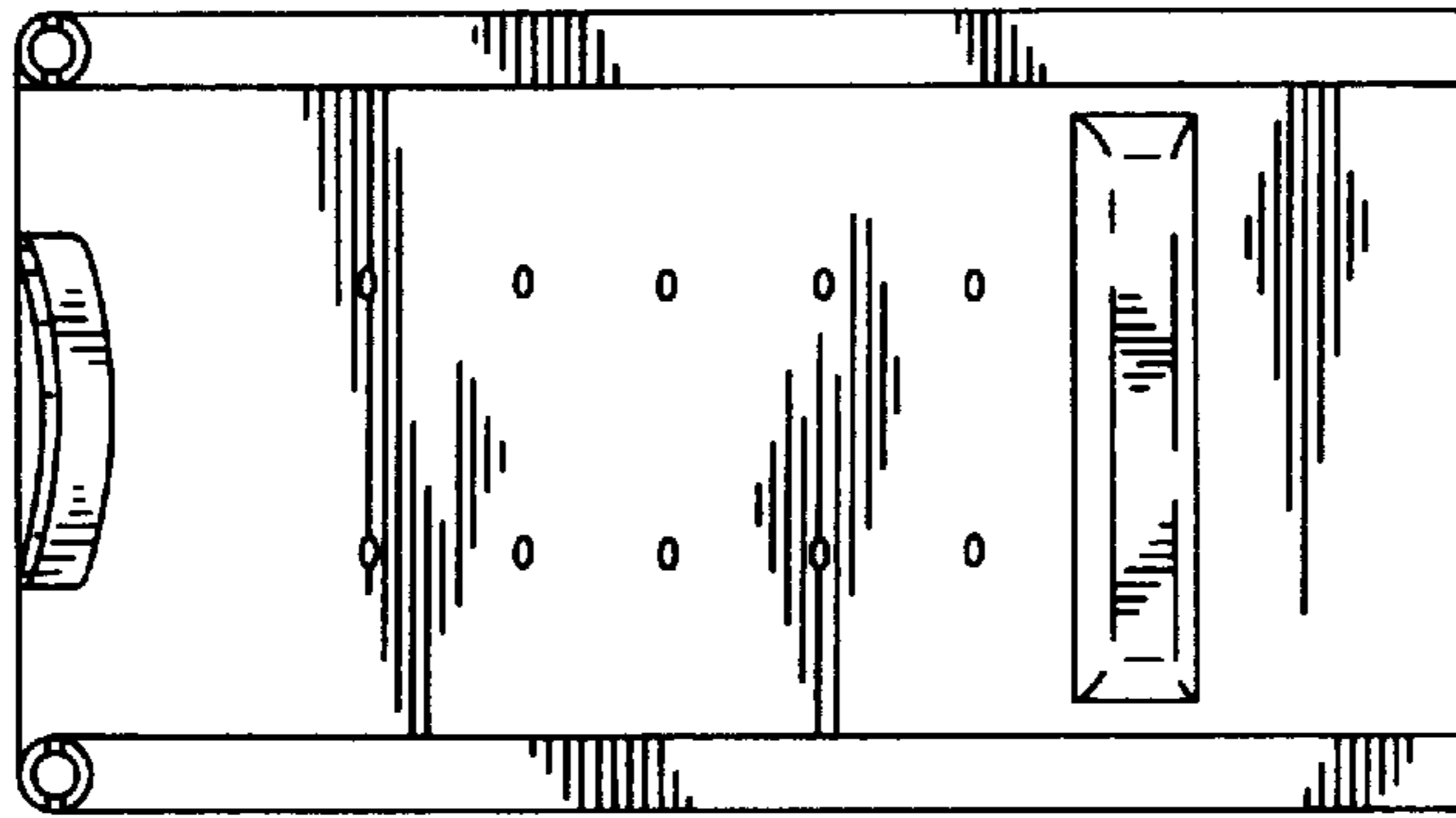


FIG 3

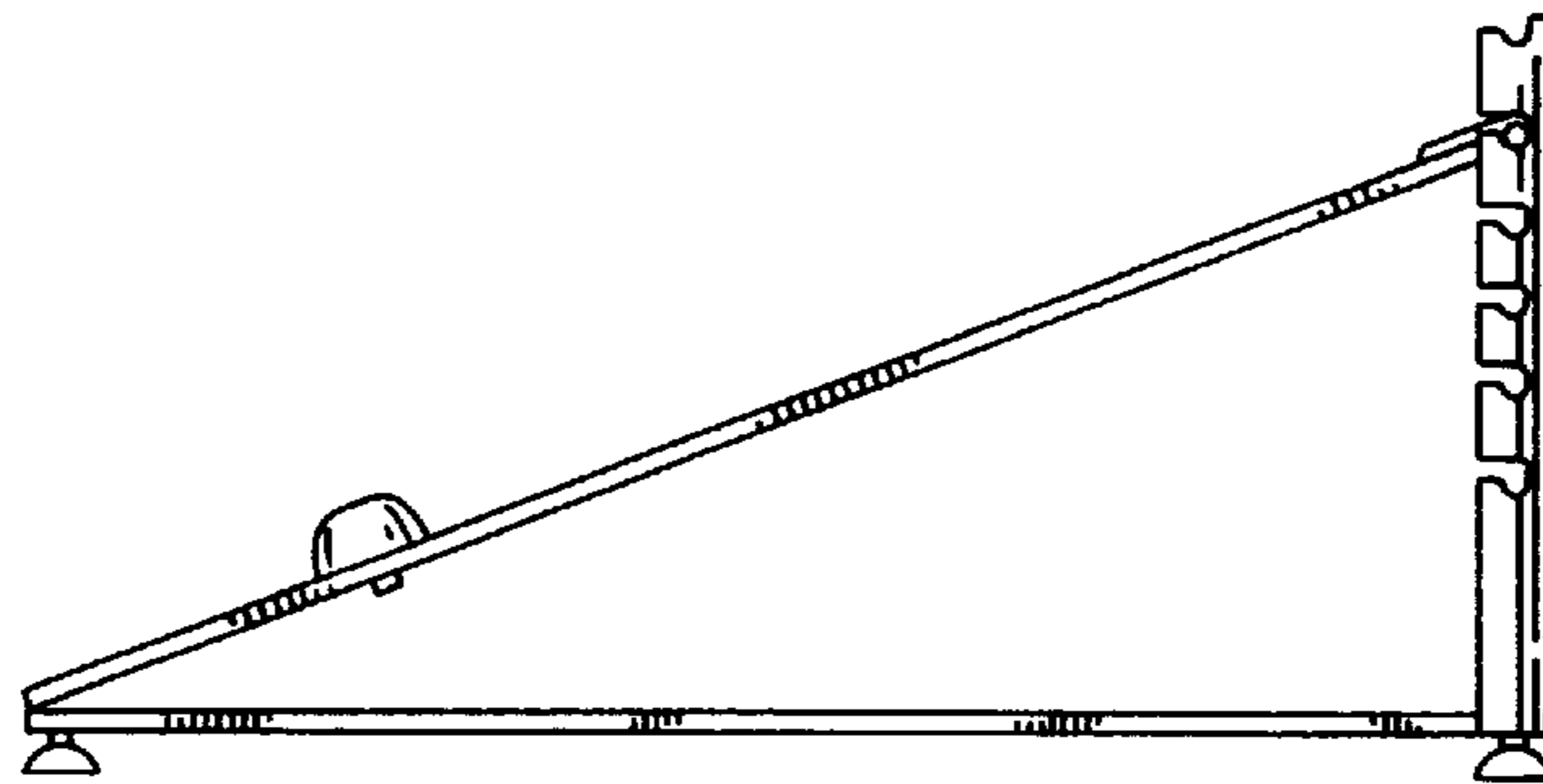


FIG 4

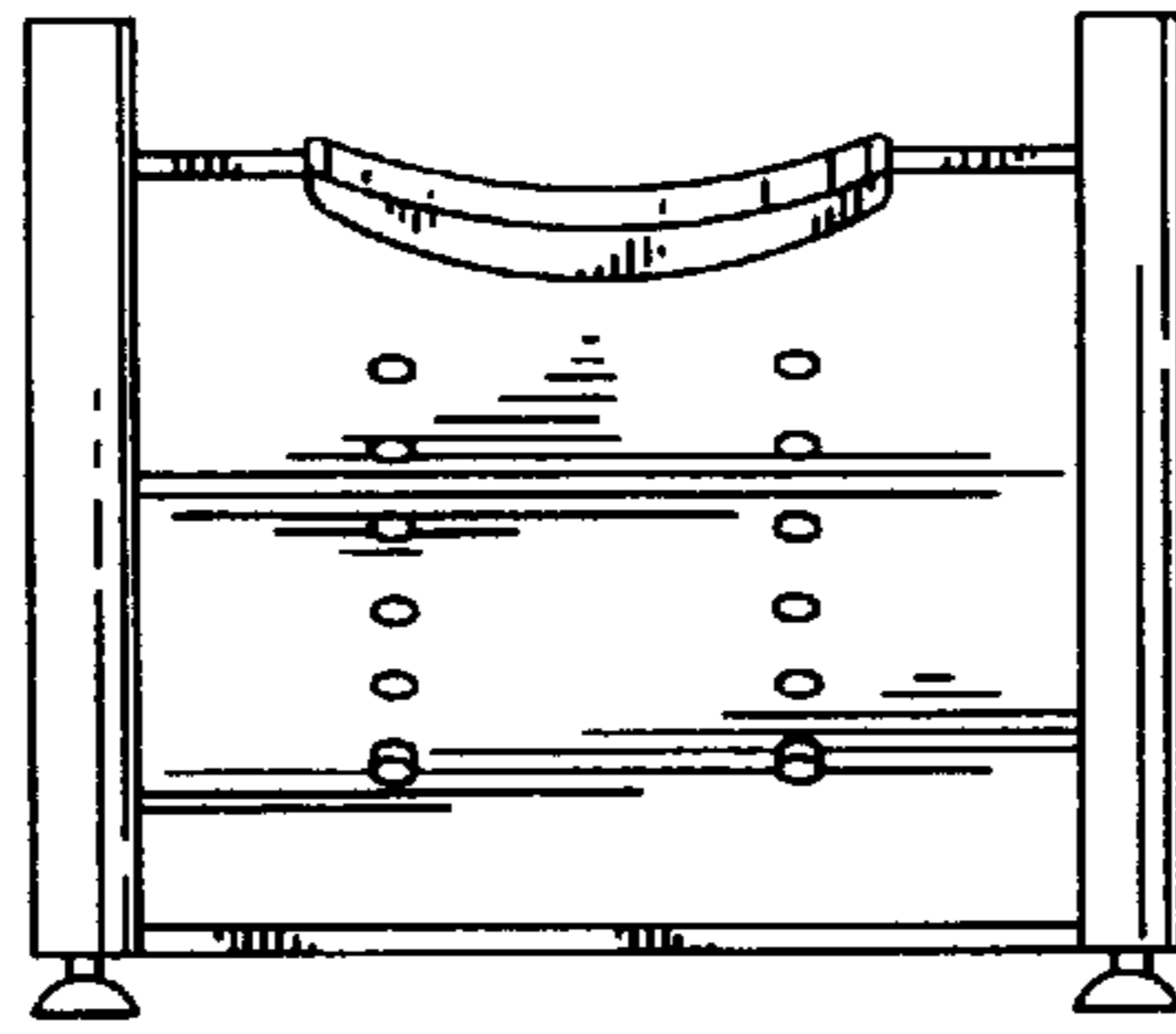


FIG 5

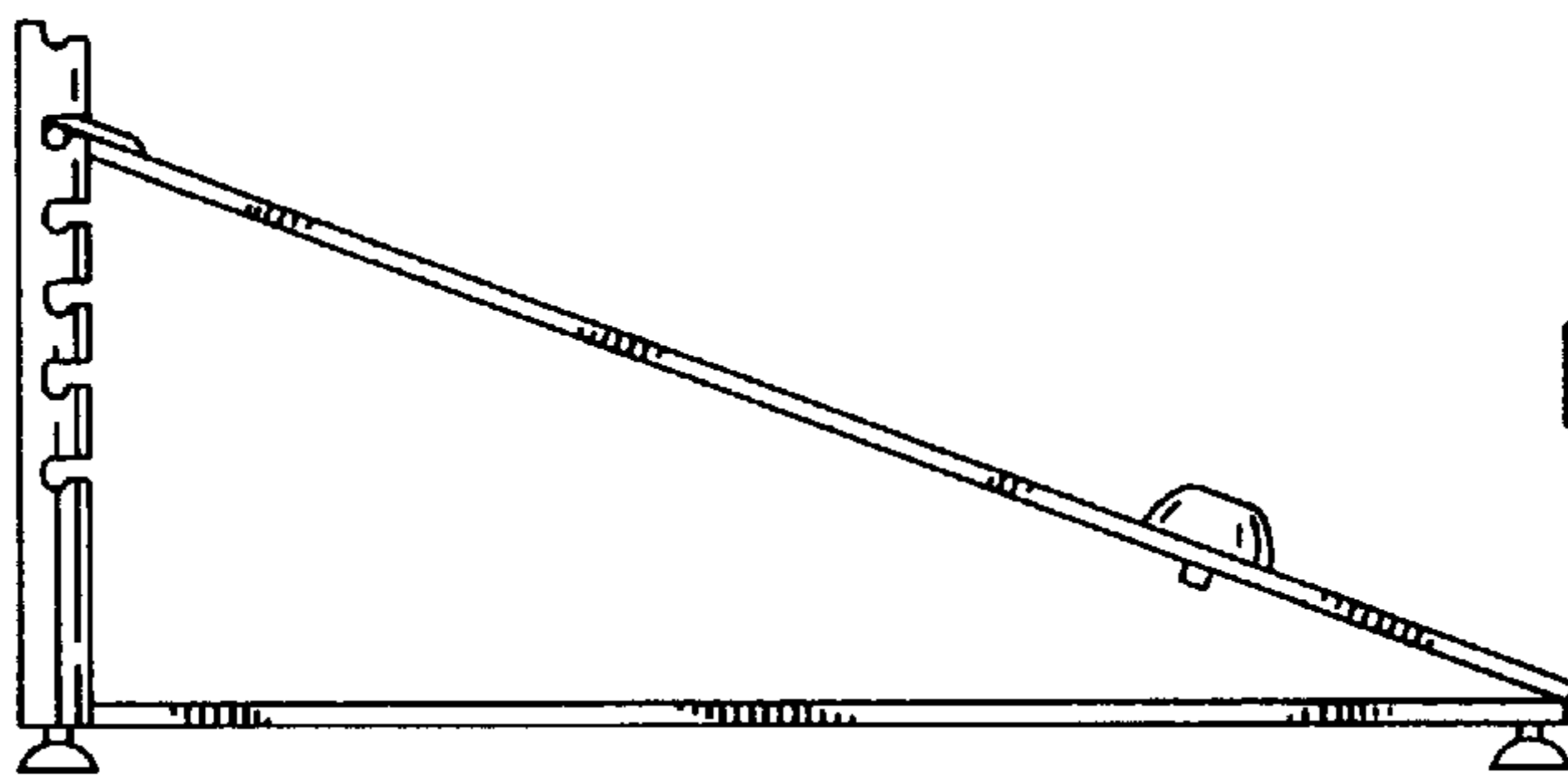


FIG 6

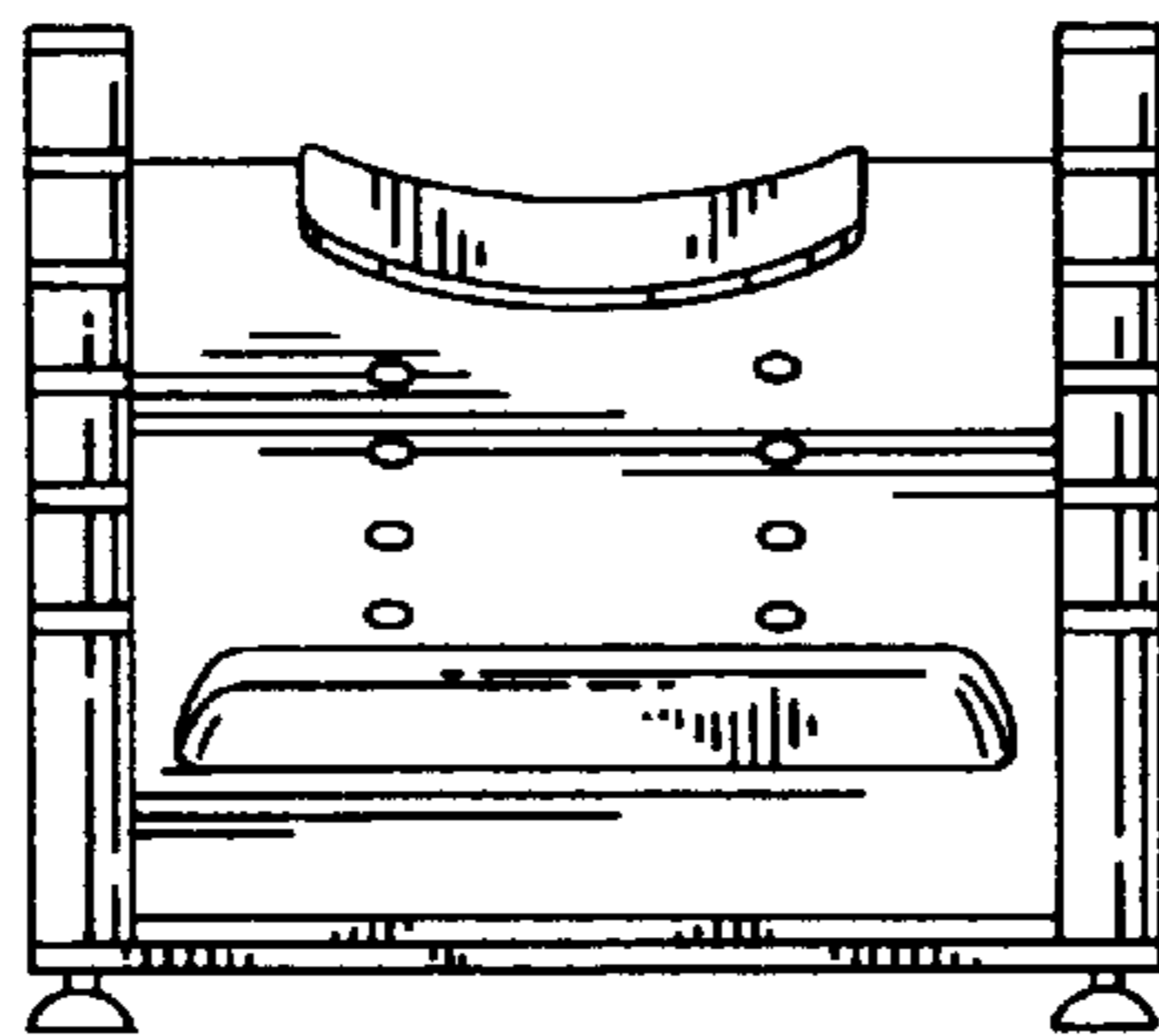


FIG 7

