



US00D425242S

United States Patent [19] Cheung

[11] Patent Number: Des. 425,242

[45] Date of Patent: ** May 16, 2000

[54] HAIR DRYER

2,678,276 5/1954 Lockwood 392/385
4,658,116 4/1987 Tsang et al. 392/385

[75] Inventor: **Chun-Kong Cheung**, Kowloon, The Hong Kong Special Administrative Region of the People's Republic of China

Primary Examiner—Terry A. Wallace
Attorney, Agent, or Firm—Jacobson, Price, Holman & Stern, PLLC

[73] Assignee: **Gee (HK) Company Limited**, Kowloon, The Hong Kong Special Administrative Region of the People's Republic of China

[57] CLAIM

I claim the ornamental design for the hair dryer, as shown and described.

[**] Term: 14 Years

DESCRIPTION

[21] Appl. No.: 29/100,555

[22] Filed: Feb. 12, 1999

[51] LOC (7) Cl. 28-03

[52] U.S. Cl. D28/13

[58] Field of Search D28/12-19; D23/332;
34/96-101; 392/379-385

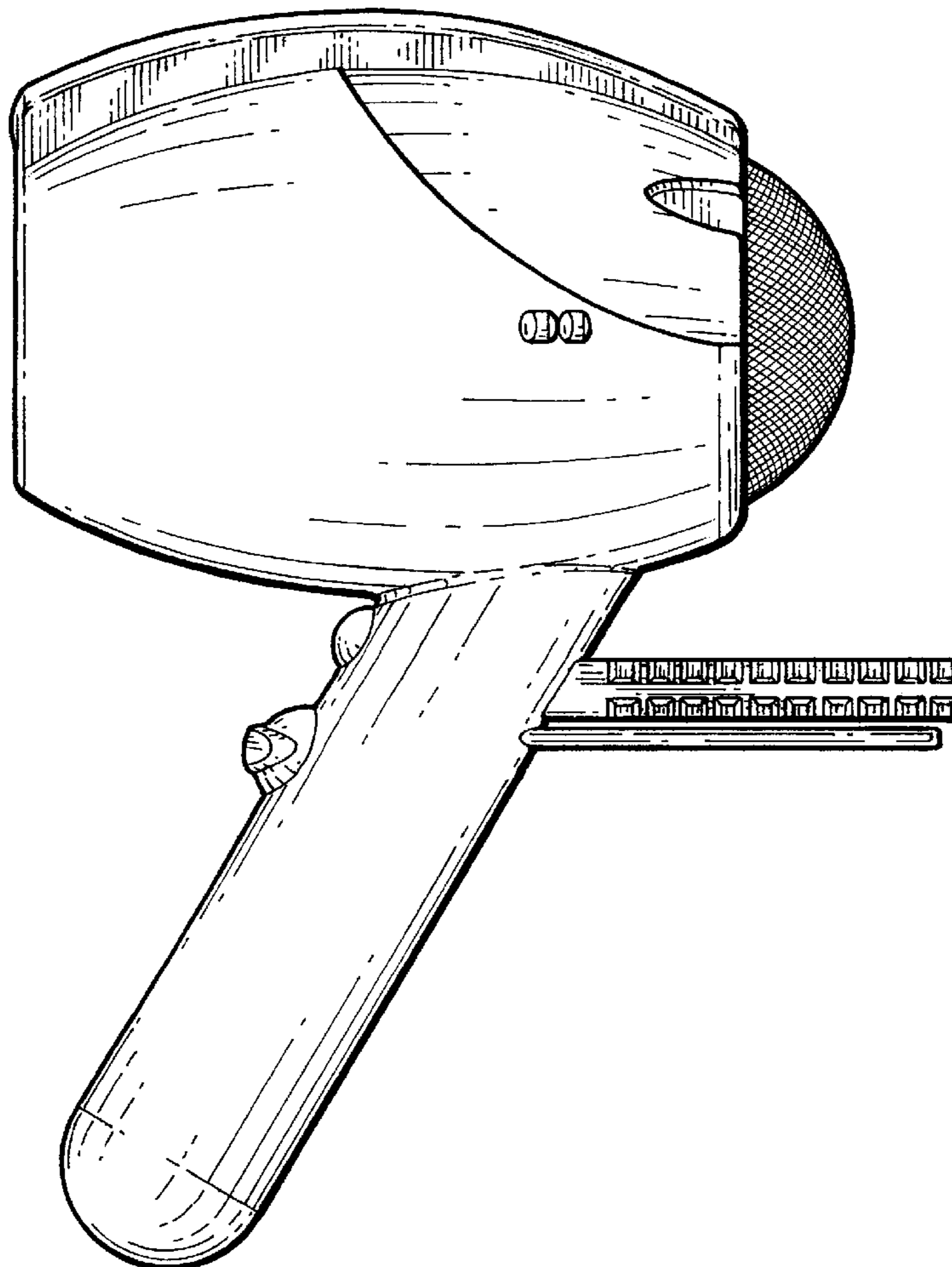
FIG. 1 is a side elevational view of the hair dryer;
FIG. 2 is a front elevational view of the hair dryer;
FIG. 3 is a top plan view of the hair dryer;
FIG. 4 is a bottom view of the hair dryer;
FIG. 5 is a rear elevational view of the hair dryer; and,
FIG. 6 is a front perspective view of the hair dryer.

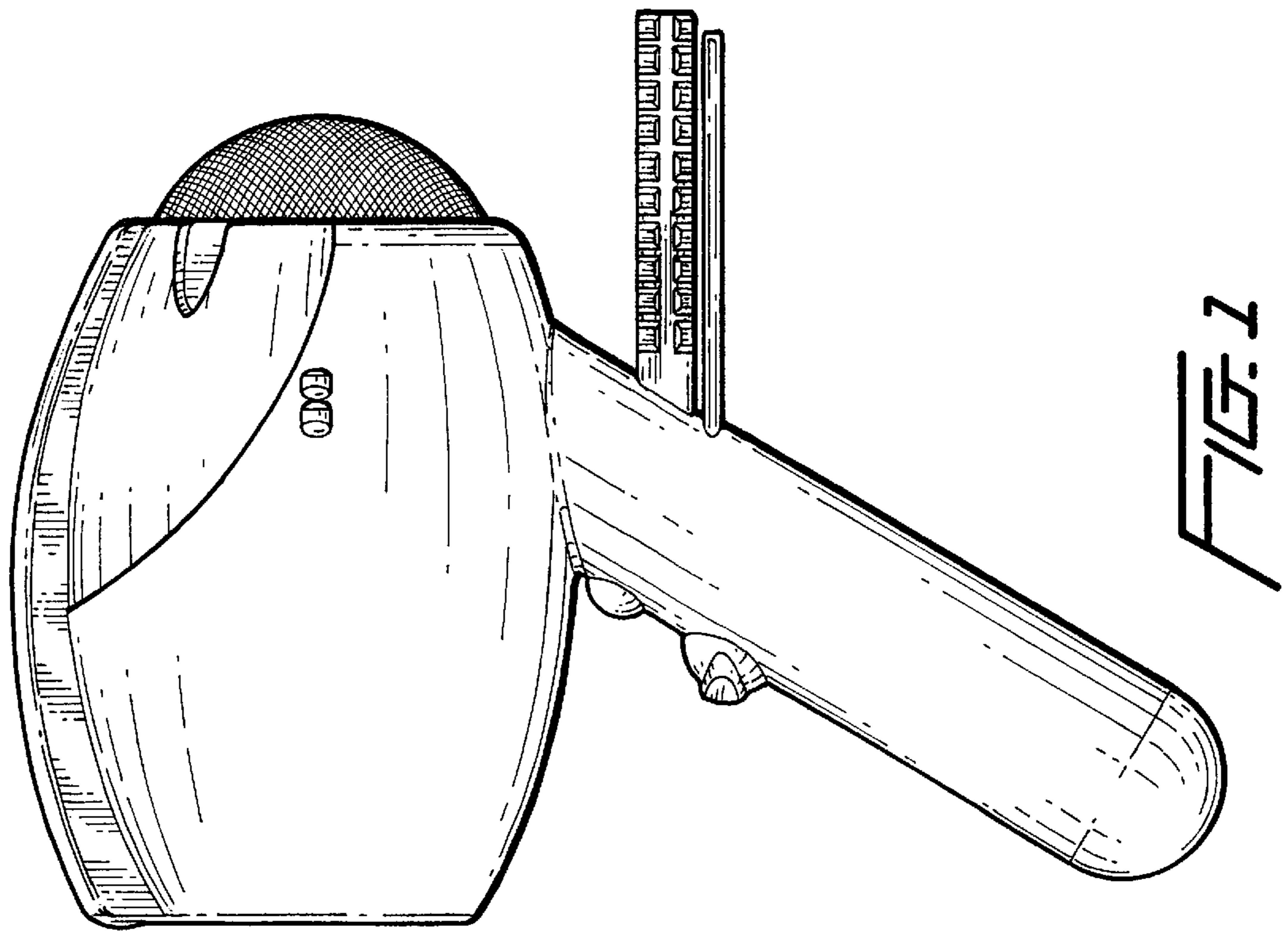
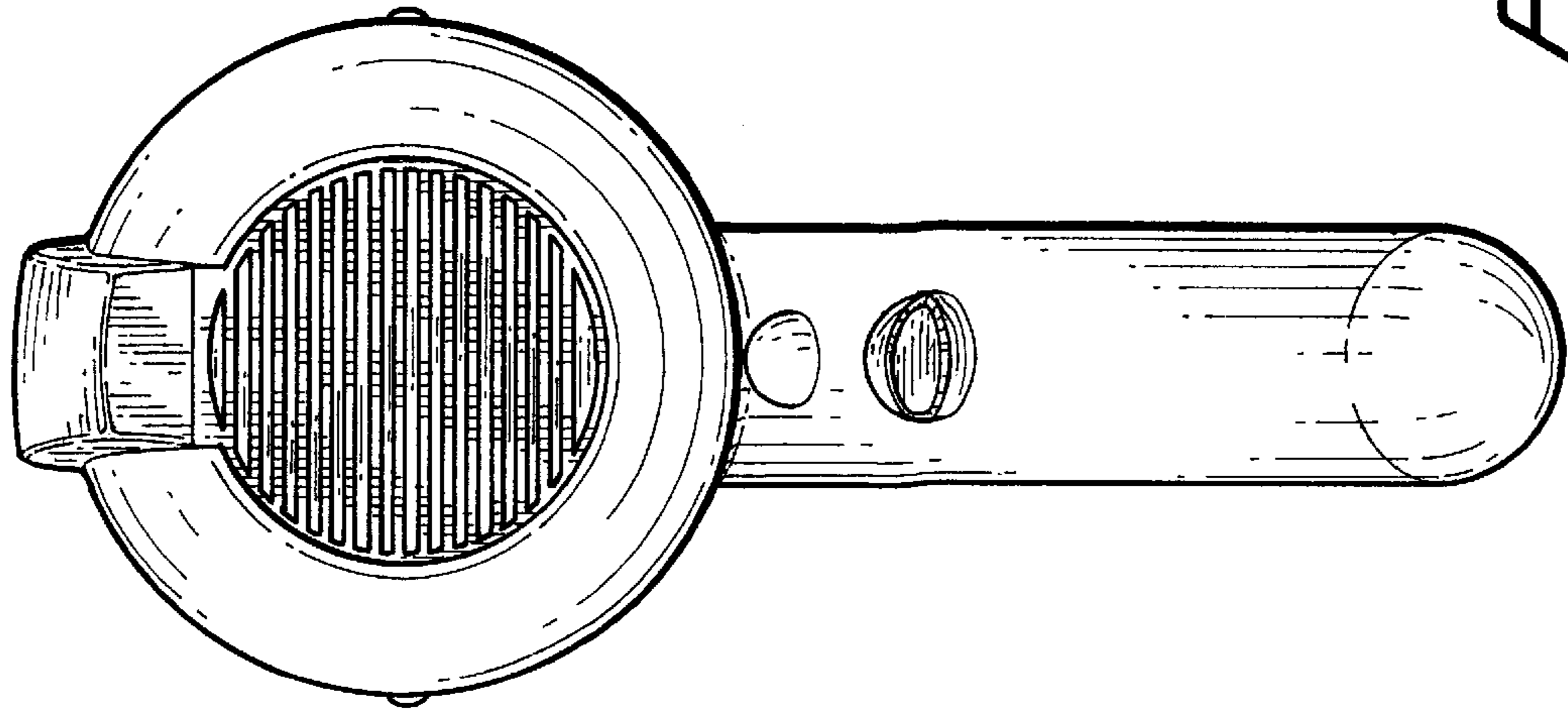
[56] References Cited

U.S. PATENT DOCUMENTS

D. 278,085 3/1985 Rittenhouse et al. D28/13

1 Claim, 3 Drawing Sheets





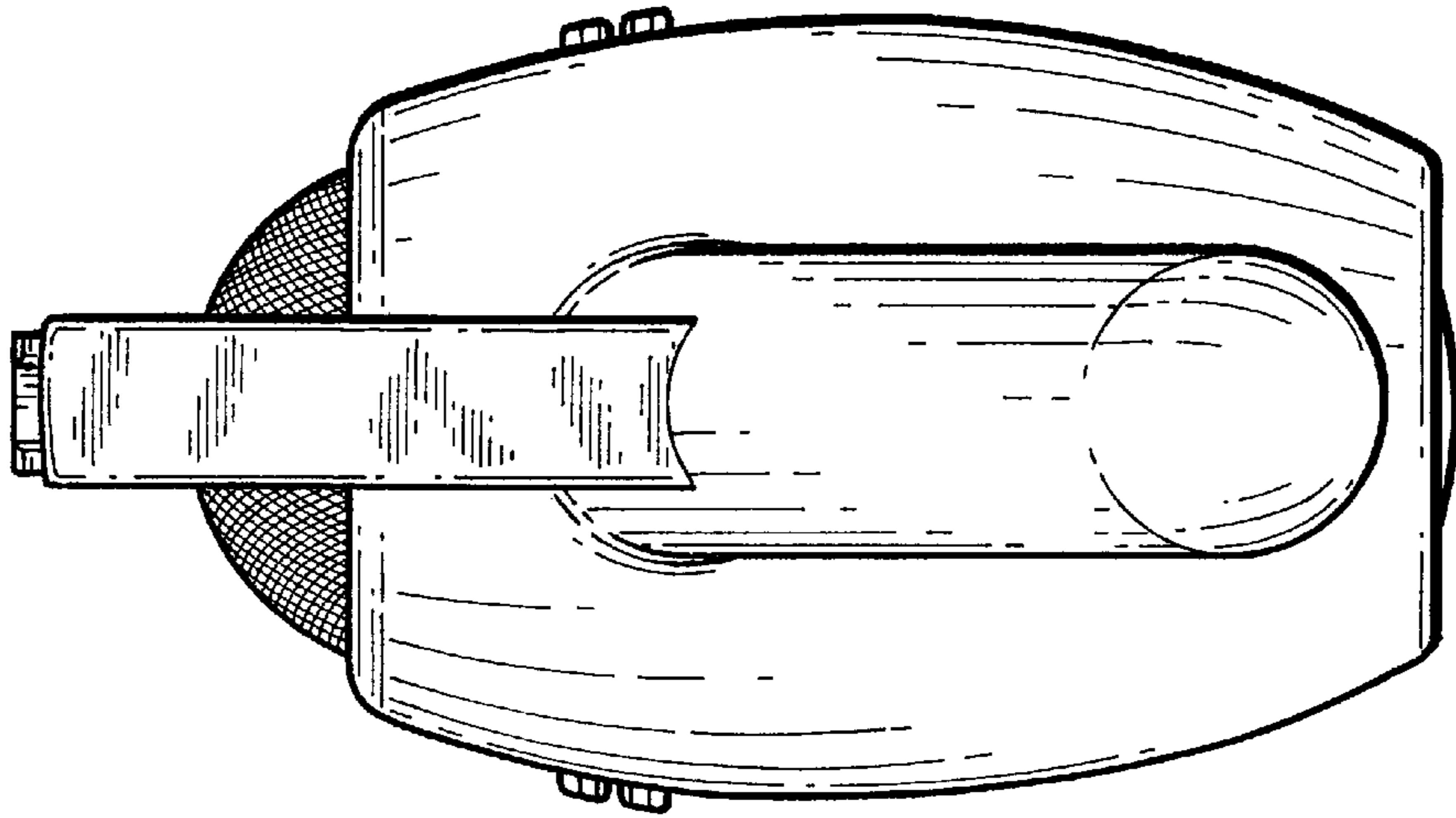


FIG. 4

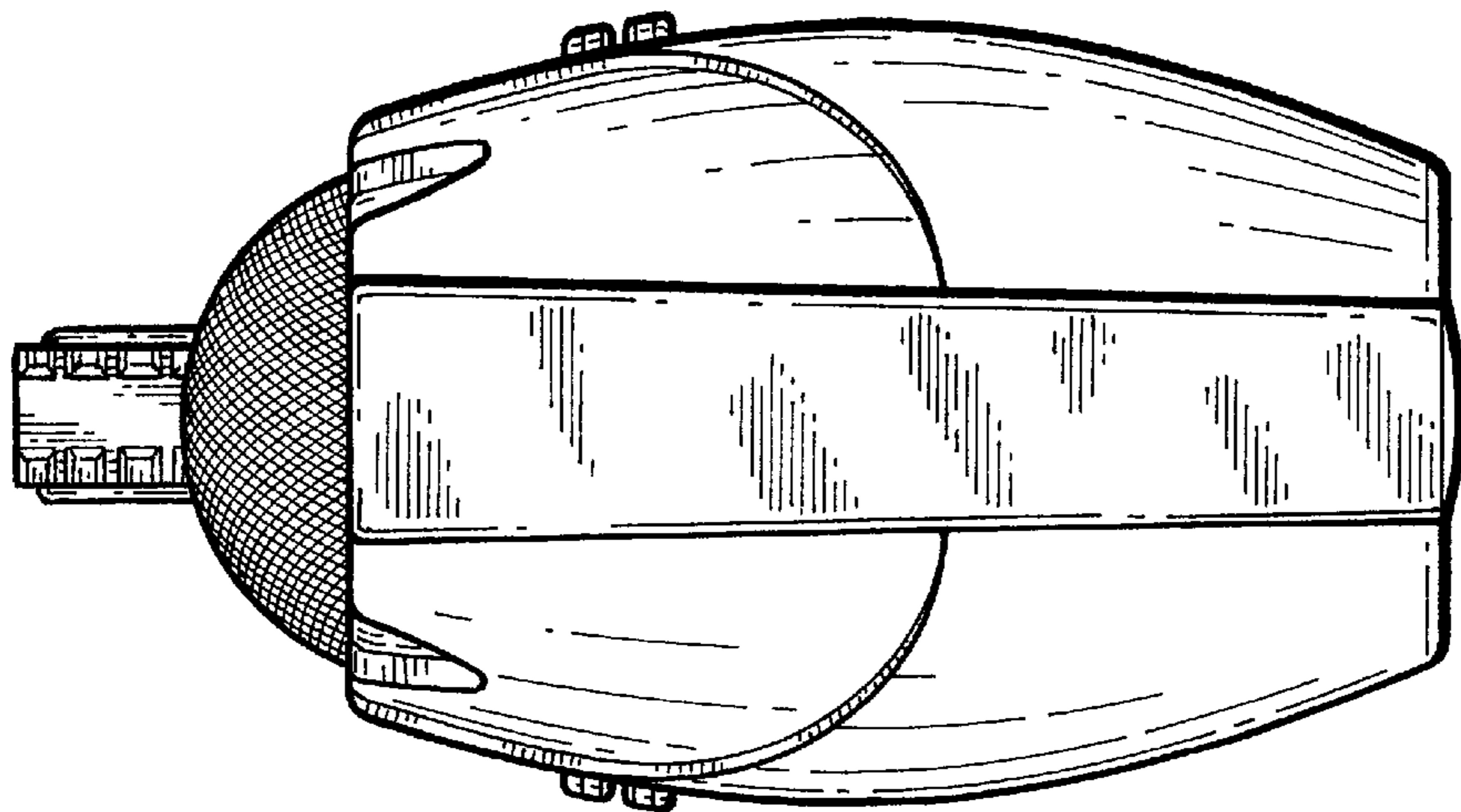


FIG. 3

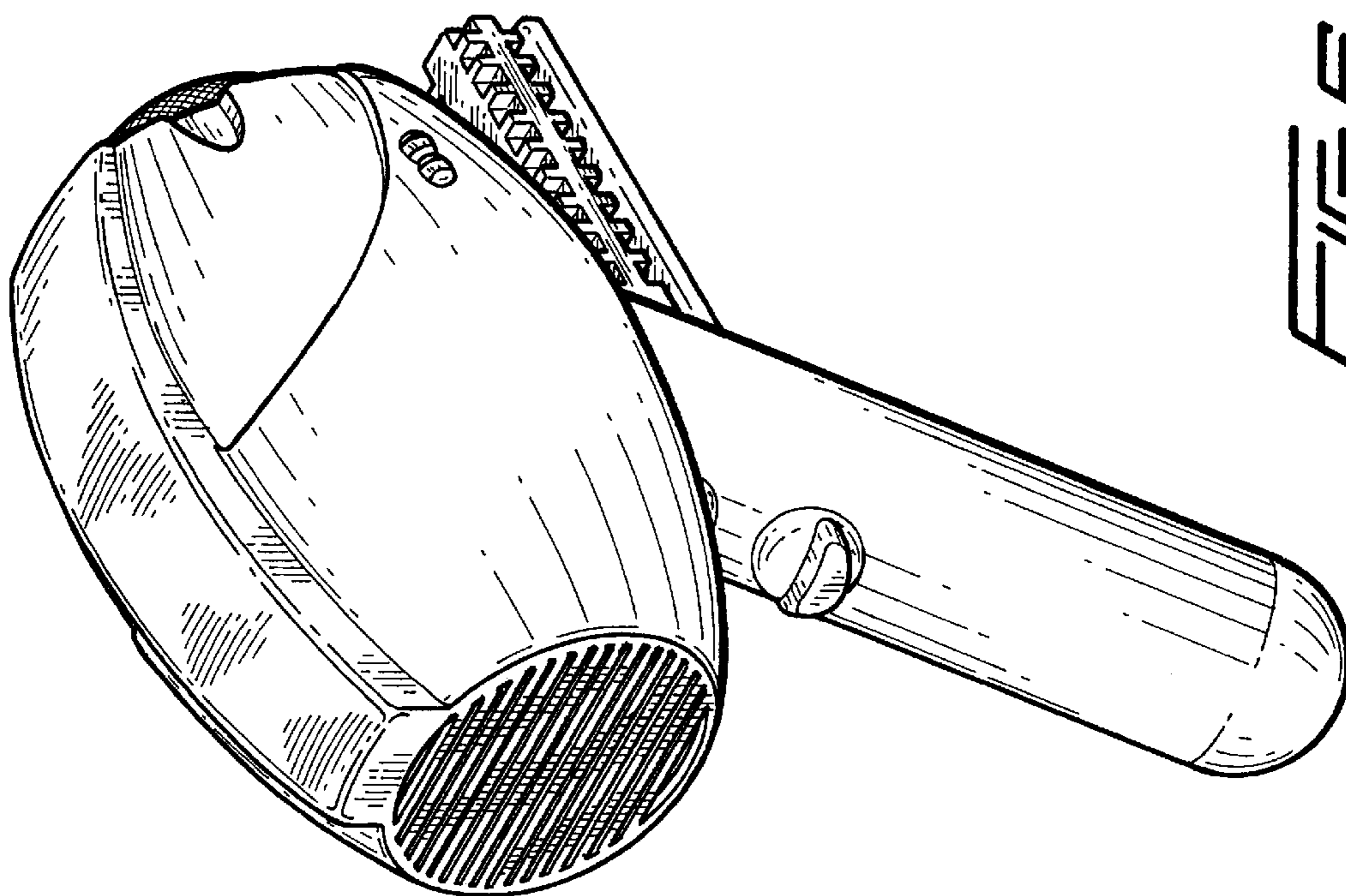


FIG. 6

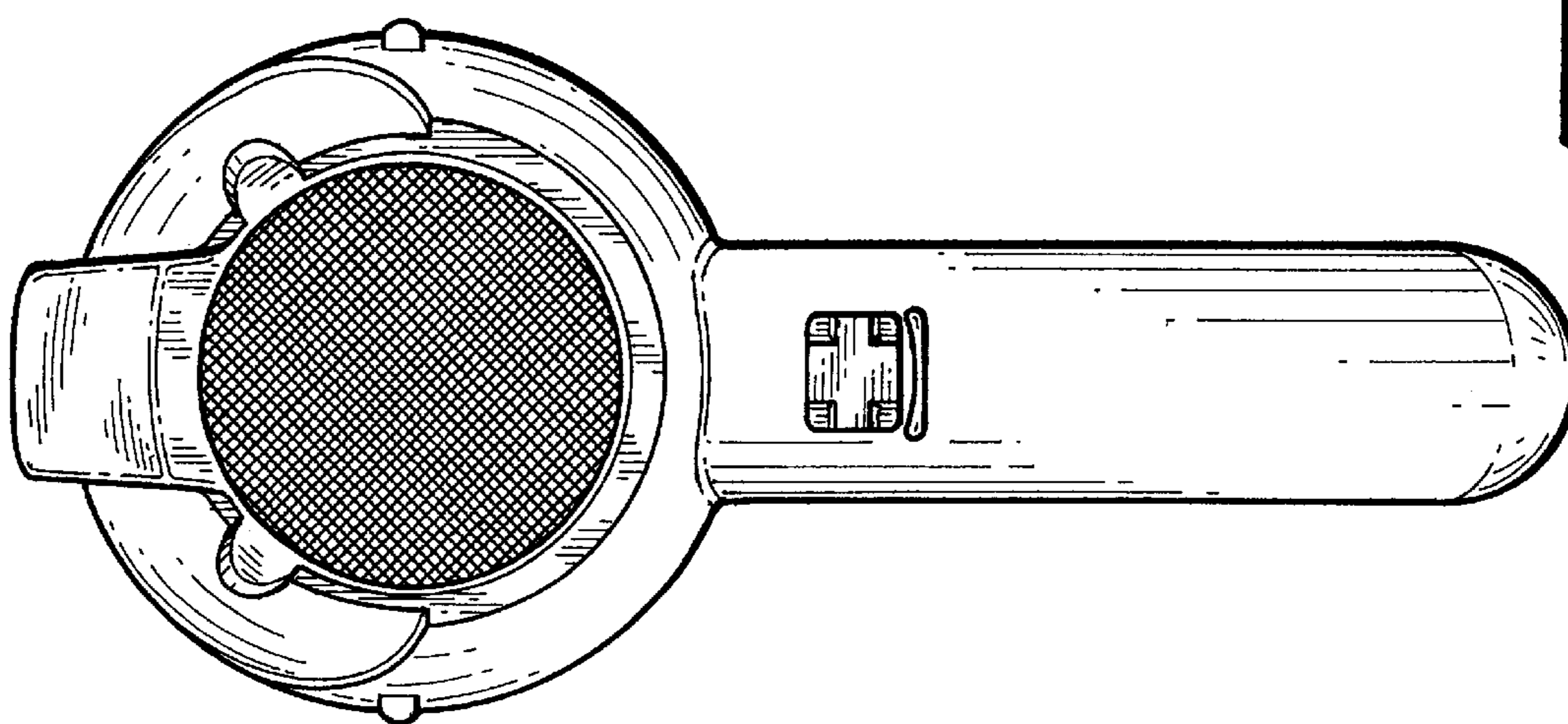


FIG. 5